



COLLECTION 2021



This has not happened to me for at least 30 years. I mean that I would stay in the same place, in one country, for 4 months at a time. Thanks God it's at home. At the same time, I would never expect that the reason for today's worldwide confusion can be simply an idea to make Chinese menu more varied with a bat.

Today's situation reminds me a little of the Velvet Revolution in 1989. For years, the leaders, the media and experts of all kinds had beaten into our heads a given political and economical system. Suddenly it all collapsed like a house of cards. And in a week everything was different. Nobody foresaws anything, they had no idea and it just happened.

Today's situation with the pandemic was not estimated or even anticipated by professional economists, sociologists, scientists and politicians. And in a month everything was different. The year 2020 on the bicycle market shows the fragility of trade relations at a time of unplanned economic turmoil. The importance of stability in long-term relations, flexibility and speed of decision making is the difference factor.

As a Czech brand, we have the entire process of creation, production, deliveries and controls in our hands. Tens years of personal contacts with suppliers are an advantage in preferentially covering our orders. Timely purchase of foreign currencies allows us to maintain stable prices throughout the season.

The 2020 collection is successful for us, not only because we have enough bikes at all. But mainly because they are attractive, with reasonable price and technically honest. I have never minded that part of the market had not taken us as a "global" brand. So what? We are a proud Czech brand and such situations have always shown who is who. The collection of bicycles, parts and accessories of AUTHOR 2021 is again the result of technical and design progress of our team work. Believe me, it will be good!

Good luck to your friends. And not only with the 2021 collection.

Martin Havlena



E-BIKES



ELITE



ELEVATION 29 ASL



ELEVATION 29 (A)



ELEVATION 29 (B)



ELEVATION ASL (A)



ELEVATION ASL (B)



ELEVE 29 (A)



ELEVE 29 (B)



ELEVE 29 ASL



ELEVE ASL (A)



ELEVE ASL (B)



EMPIRE



ENIGMA



EDICT



ESSENCE



ELECTRA

SHIMANO
1x11

Boost 12x148



SHIMANO

Boost 15x110

ELITE

FRAME	double butted hydroformed suspension alloy 6061
REAR SHOCKER	Fox DPS Performance Float (205 / 57.5 mm), travel 140 mm
FORK	Fox Rhytm 34 Float (140 mm travel)
CHAINWHEEL	Shimano Steps E-M600 (38 teeth)
REAR DERAILLEUR / SHIFTERS	Shimano Deore, 11 speed
MOTOR	Shimano DU-EP800, 250 W

BATTERY	Shimano Steps E-8036, 36 V, 17,5 Ah, 630 Wh
DISPLAY	Shimano E-M800, LCD, 5 modes
BRAKES	TRP Slate T4 (7"), hydraulic, 4 piston
TIRES	Maxxis Recon 27.5" x 2.60", aramid
WEIGHT	24,3 kg / 19"

SHIMANO
1x11

Boost 12x148

SHIMANO | E7000
EQUIPPED

Boost 15x110

ELEVATION 29 ASL

FRAME	double butted hydroformed alloy 6061
FORK	RST F1RST 110-15 Air TnL, 1.5" tapered (100 mm travel)
CHAINWHEEL	Shimano Steps E-8000 (38 teeth)
REAR DERAILLEUR / SHIFTERS	Shimano Deore, 11 speed
MOTOR	Shimano Steps E-7000, 250 W

BATTERY	Shimano Steps E-8035, 36 V, 14 Ah, 504 Wh
DISPLAY	Shimano E-7000, LCD, 5 modes
BRAKES	TRP Slate T4 (7"), hydraulic, 4 piston
TIRES	Vittoria Barzo G2.0 29" x 2.25", foldable
WEIGHT	21,8 kg / 17"

SHIMANO
1x11

Boost 12x148

SHIMANO | **E7000**
EQUIPPED

Boost 15x110



ELEVATION 29 (A)

FRAME	double butted hydroformed alloy 6061
FORK	RST F1RST 110-15 Air TnL, 1.5" tapered (100 mm travel)
CHAINWHEEL	Shimano Steps E-8000 (38 teeth)
REAR DERAILLEUR / SHIFTERS	Shimano Deore, 11 speed
MOTOR	Shimano Steps E-7000, 250 W

BATTERY	Shimano Steps E-8035, 36 V, 14 Ah, 504 Wh
DISPLAY	Shimano E-7000, LCD, 5 modes
BRAKES	TRP Slate T4 (7"), hydraulic, 4 piston
TIRES	Vittoria Barzo G2.0 29" x 2.25", foldable
WEIGHT	22 kg / 19"

SHIMANO
1x11

Boost 12x148

SHIMANO | **E7000**
EQUIPPED

Boost 15x110



ELEVATION 29 (B)

FRAME	double butted hydroformed alloy 6061
FORK	RST F1RST 110-15 Air TnL, 1.5" tapered (100 mm travel)
CHAINWHEEL	Shimano Steps E-8000 (38 teeth)
REAR DERAILLEUR / SHIFTERS	Shimano Deore, 11 speed
MOTOR	Shimano Steps E-7000, 250 W

BATTERY	Shimano Steps E-8035, 36 V, 14 Ah, 504 Wh
DISPLAY	Shimano E-7000, LCD, 5 modes
BRAKES	TRP Slate T4 (7"), hydraulic, 4 piston
TIRES	Vittoria Barzo G2.0 29" x 2.25", foldable
WEIGHT	22 kg / 19"

SHIMANO
1x11

Boost 12×148



SHIMANO | **E7000**
EQUIPPED

Boost 15×110

ELEVATION ASL [A]

FRAME	double butted hydroformed alloy 6061	BATTERY	Shimano Steps E-8035, 36 V, 14 Ah, 504 Wh
FORK	RST F1RST 110-15 Air TnL, 1.5" tapered (120 mm travel)	DISPLAY	Shimano E-7000, LCD, 5 modes
CHAINWHEEL	Shimano Steps E-8000 (38 teeth)	BRAKES	TRP Slate T4 (7"), hydraulic, 4 piston
REAR DERAILLEUR / SHIFTERS	Shimano Deore, 11 speed	TIRES	Vittoria Barzo G2.0 27.5" × 2.25", foldable
MOTOR	Shimano Steps E-7000, 250 W	WEIGHT	21,8 kg / 17"

SHIMANO
1x11

Boost 12×148



SHIMANO | **E7000**
EQUIPPED

Boost 15×110

ELEVATION ASL [B]

FRAME	double butted hydroformed alloy 6061	BATTERY	Shimano Steps E-8035, 36 V, 14 Ah, 504 Wh
FORK	RST F1RST 110-15 Air TnL, 1.5" tapered (120 mm travel)	DISPLAY	Shimano E-7000, LCD, 5 modes
CHAINWHEEL	Shimano Steps E-8000 (38 teeth)	BRAKES	TRP Slate T4 (7"), hydraulic, 4 piston
REAR DERAILLEUR / SHIFTERS	Shimano Deore, 11 speed	TIRES	Vittoria Barzo G2.0 27.5" × 2.25", foldable
MOTOR	Shimano Steps E-7000, 250 W	WEIGHT	21,8 kg / 17"

SHIMANO
1x10

Boost 12x148



SHIMANO | **E5000**
EQUIPPED

Boost 15x110

ELEVE 29 [A]

FRAME	double butted hydroformed alloy 6061
FORK	RST Aerial 110-15 TnL, 1.5" tapered (100 mm travel)
CHAINWHEEL	Shimano Steps E-5010 (38 teeth)
REAR DERAILLEUR / SHIFTERS	Shimano Deore, 10 speed
MOTOR	Shimano Steps E-5000, 250 W

BATTERY	Shimano Steps E-8035, 36 V, 14 Ah, 504 Wh
DISPLAY	Shimano E-7000, LCD, 5 modes
BRAKES	Tektro Orion 4 (7"), hydraulic, 4 piston
TIRES	CST Patrol 29" x 2.25"
WEIGHT	22,4 kg / 19"

SHIMANO
1x10

Boost 12x148



SHIMANO | **E5000**
EQUIPPED

Boost 15x110

ELEVE 29 [B]

FRAME	double butted hydroformed alloy 6061
FORK	RST Aerial 110-15 TnL, 1.5" tapered (100 mm travel)
CHAINWHEEL	Shimano Steps E-5010 (38 teeth)
REAR DERAILLEUR / SHIFTERS	Shimano Deore, 10 speed
MOTOR	Shimano Steps E-5000, 250 W

BATTERY	Shimano Steps E-8035, 36 V, 14 Ah, 504 Wh
DISPLAY	Shimano E-7000, LCD, 5 modes
BRAKES	Tektro Orion 4 (7"), hydraulic, 4 piston
TIRES	CST Patrol 29" x 2.25"
WEIGHT	22,4 kg / 19"

SHIMANO
1x10

Boost 12x148

SHIMANO | E5000
EQUIPPED

Boost 15x110



ELEVE 29 ASL

FRAME	double butted hydroformed alloy 6061	BATTERY	Shimano Steps E-8035, 36 V, 14 Ah, 504 Wh
FORK	RST Aerial 110-15 TrL, 1.5" tapered (100 mm travel)	DISPLAY	Shimano E-7000, LCD, 5 modes
CHAINWHEEL	Shimano Steps E-5010 (38 teeth)	BRAKES	Tektro Orion (7"), hydraulic, 4 piston
REAR DERAILLEUR / SHIFTERS	Shimano Deore, 10 speed	TIRES	CST Patrol 29" x 2.25"
MOTOR	Shimano Steps E-5000, 250 W	WEIGHT	22,2 kg / 17"



SHIMANO
1x10

Boost 12x148



SHIMANO | **E5000**
EQUIPPED

Boost 15x110

ELEVE ASL [A]

FRAME	double butted hydroformed alloy 6061
FORK	RST Aerial 110-15 TnL, 1.5" tapered (120 mm travel)
CHAINWHEEL	Shimano Steps E-5010 (38 teeth)
REAR DERAILLEUR / SHIFTERS	Shimano Deore, 10 speed
MOTOR	Shimano Steps E-5000, 250 W

BATTERY	Shimano Steps E-8035, 36 V, 14 Ah, 504 Wh
DISPLAY	Shimano E-7000, LCD, 5 modes
BRAKES	Tektro Orion (7"), hydraulic, 4 piston
TIRES	CST Patrol 27.5" x 2.25"
WEIGHT	22,2 kg / 17"

SHIMANO
1x10

Boost 12x148



SHIMANO | **E5000**
EQUIPPED

Boost 15x110

ELEVE ASL [B]

FRAME	double butted hydroformed alloy 6061
FORK	RST Aerial 110-15 TnL, 1.5" tapered (120 mm travel)
CHAINWHEEL	Shimano Steps E-5010 (38 teeth)
REAR DERAILLEUR / SHIFTERS	Shimano Deore, 10 speed
MOTOR	Shimano Steps E-5000, 250 W

BATTERY	Shimano Steps E-8035, 36 V, 14 Ah, 504 Wh
DISPLAY	Shimano E-7000, LCD, 5 modes
BRAKES	Tektro Orion (7"), hydraulic, 4 piston
TIRES	CST Patrol 27.5" x 2.25"
WEIGHT	22,2 kg / 17"

SHIMANO
1x10SHIMANO | E6100
EQUIPPED

EMPIRE

FRAME	double butted hydroformed alloy 6061
FORK	RST ViV Air TnL, 1.5" tapered steerer (80 mm travel)
CHAINWHEEL	Shimano Steps E-6100 (38 teeth)
REAR DERAILLEUR / SHIFTERS	Shimano Deore, 10 speed
MOTOR	Shimano Steps E-6100, 250 W

BATTERY	Shimano Steps E-8035, 36 V, 14 Ah, 504 Wh
DISPLAY	Shimano E-7000, LCD, 5 modes
BRAKES	Tektro Gemini (7"), hydraulic
TIRES	Author Speed Master 29" x 1.75"
WEIGHT	21,7 kg / 20"

SHIMANO
1x10SHIMANO | E6100
EQUIPPED

ENIGMA

FRAME	double butted hydroformed alloy 6061
FORK	RST ViV Air TnL, 1.5" tapered steerer (80 mm travel)
CHAINWHEEL	Shimano Steps E-6100 (38 teeth)
REAR DERAILLEUR / SHIFTERS	Shimano Deore, 10 speed
MOTOR	Shimano Steps E-6100, 250 W

BATTERY	Shimano Steps E-8035, 36 V, 14 Ah, 504 Wh
DISPLAY	Shimano E-7000, LCD, 5 modes
BRAKES	Tektro Gemini WS (7"), hydraulic
TIRES	Author Speed Master 29" x 1.75"
WEIGHT	21,7 kg / 17"



SHIMANO
1x9

SHIMANO | **E5000**
EQUIPPED

EDICT

FRAME	double butted hydroformed alloy 6061	BATTERY	Shimano Steps E-8010, 36 V, 14 Ah, 504 Wh
FORK	RST ViV Air TnL (80 mm travel)	DISPLAY	Shimano E-6100, LCD, 5 modes
CHAINWHEEL	Shimano Steps E-5010 (38 teeth)	BRAKES	Tektro Gemini (7"), hydraulic
REAR DERAILLEUR / SHIFTERS	Shimano Alivio, 9 speed	TIRES	Author Speed Master 29" x 1.75"
MOTOR	Shimano Steps E-5000, 250 W	WEIGHT	20,7 kg / 20"



SHIMANO
1x9

SHIMANO | **E5000**
EQUIPPED

ESSENCE

FRAME	double butted hydroformed alloy 6061	BATTERY	Shimano Steps E-8010, 36 V, 14 Ah, 504 Wh
FORK	RST ViV Air TnL (80 mm travel)	DISPLAY	Shimano E-6100, LCD, 5 modes
CHAINWHEEL	Shimano Steps E-5010 (38 teeth)	BRAKES	Tektro Gemini WS (7"), hydraulic
REAR DERAILLEUR / SHIFTERS	Shimano Alivio, 9 speed	TIRES	Author Speed Master 29" x 1.75"
MOTOR	Shimano Steps E-5000, 250 W	WEIGHT	20,7 kg / 17"

SHIMANO
1x9

SHIMANO | E5000
EQUIPPED



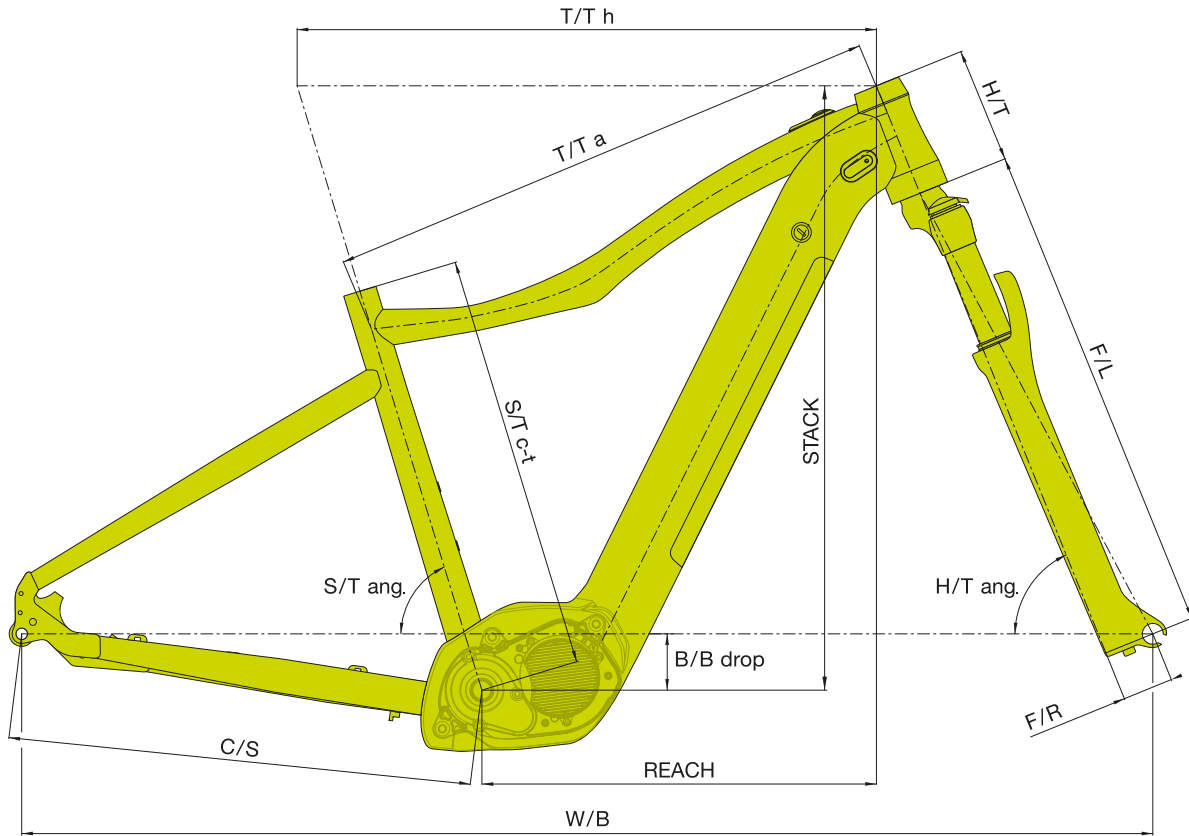
ELECTRA

FRAME	alloy 6061 700C	BATTERY	Shimano Steps E-8010, 36 V, 14 Ah, 504 Wh
FORK	RST Nova TrL (60 mm travel)	DISPLAY	Shimano E-6100, LCD, 5 modes
CHAINWHEEL	Shimano Steps E-5010 (38 teeth)	BRAKES	Tektro Vela (6"), hydraulic
REAR DERAILLEUR / SHIFTERS	Shimano Alivio, 9 speed	TIRES	CST 700 x 40c
MOTOR	Shimano Steps E-5000, 250 W	WEIGHT	22,8 kg / 17"

MODEL	ELITE	ELEVATION 29 ASL	ELEVATION 29	ELEVATION ASL
SIZE	17", 19", 21"	17", 19"	17", 19", 21"	17", 19"
FRAME	alloyl 6061 27.5" suspension (integrated battery) air shocker FOX DPS Performance Float 205 / 57.5 mm (rear travel 140 mm)	double butted hydroformed alloy 6061 29" (integrated battery)	double butted hydroformed alloy 6061 29" (integrated battery)	double butted hydroformed alloy 6061 27.5" (integrated battery)
FRONT FORK	FOX 34 Rhythm Float air, lock out 15 mm thru axle 1.5" tapered column (140 mm)	RST F1RST 110-15 Air TnL air, lock out 15 mm thru axle boost 1.5" tapered column (100 mm)	RST F1RST 110-15 Air TnL air, lock out 15 mm thru axle boost 1.5" tapered column (100 mm)	RST F1RST 110-15 Air TnL air, lock out 15 mm thru axle boost 1.5" tapered column (120 mm)
DRIVING UNIT	SHIMANO Steps E-P800, 250 W	SHIMANO Steps E-7000, 250 W	SHIMANO Steps E-7000, 250 W	SHIMANO Steps E-7000, 250 W
BATTERY	SHIMANO E-8036 Li-Ion, 36 V, 17,5 Ah, 630 Wh	SHIMANO E-8035 Li-Ion, 36 V, 14 Ah, 504 Wh	SHIMANO E-8035 Li-Ion, 36 V, 14 Ah, 504 Wh	SHIMANO E-8035 Li-Ion, 36 V, 14 Ah, 504 Wh
DISPLAY	SHIMANO Steps E-P8000, LCD	SHIMANO Steps E-7000, LCD	SHIMANO Steps E-7000, LCD	SHIMANO Steps E-7000, LCD
HEAD PARTS	AUTHOR Integrated 1.5"	AUTHOR Integrated 1.5"	AUTHOR Integrated 1.5"	AUTHOR Integrated 1.5"
CHAINWHEEL	SHIMANO Steps E-M600 38 teeth 170 / 175 mm cranks	SHIMANO Steps E-8000 38 teeth 170 / 175 mm cranks	SHIMANO Steps E-8000 38 teeth 170 / 175 mm cranks	SHIMANO Steps E-8000 38 teeth 170 / 175 mm cranks
B.B. PARTS	SHIMANO Steps	SHIMANO Steps	SHIMANO Steps	SHIMANO Steps
FRONT DERAILLEUR	-	-	-	-
REAR DERAILLEUR	SHIMANO Deore	SHIMANO Deore	SHIMANO Deore	SHIMANO Deore
SHIFTERS	SHIMANO Deore (11)	SHIMANO Deore (11)	SHIMANO Deore (11)	SHIMANO Deore (11)
FREEWHEEL	SHIMANO CS-M5100-11 11-51 (11)	SHIMANO CS-M5100-11 11-51 (11)	SHIMANO CS-M5100-11 11-51 (11)	SHIMANO CS-M5100-11 11-51 (11)
CHAIN	KMC e11T	KMC e11T	KMC e11T	KMC e11T
HUBS	QUANDO 15 x 110 mm thru front axle 12 x 148 mm thru rear axle 32 holes	QUANDO 15 x 110 mm thru front axle 12 x 148 mm thru rear axle 32 holes	QUANDO 15 x 110 mm thru front axle 12 x 148 mm thru rear axle 32 holes	QUANDO 15 x 110 mm thru front axle 12 x 148 mm thru rear axle 32 holes
BRAKES	TRP Slate T4 disc hydraulic (7" rotors)	TRP Slate T4 disc hydraulic (7" rotors)	TRP Slate T4 disc hydraulic (7" rotors)	TRP Slate T4 disc hydraulic (7" rotors)
BRAKE LEVERS	TRP Slate T4	TRP Slate T4	TRP Slate T4	TRP Slate T4
RIMS	AUTHOR E-Krypton 27.5 32 holes	AUTHOR E-Krypton 29 32 holes	AUTHOR E-Krypton 29 32 holes	AUTHOR E-Krypton 27.5 32 holes
SPOKES	black stainless steel 2.2 mm	black stainless steel 2.2 mm	black stainless steel 2.2 mm	black stainless steel 2.2 mm
TIRES	MAXXIS Recon kevlar 27.5" x 2.60"	VITTORIA Barzo G2.0 kevlar 27.5" x 2.25"	VITTORIA Barzo G2.0 kevlar 27.5" x 2.25"	VITTORIA Barzo G2.0 kevlar 27.5" x 2.25"
PEDALS	HT platmorm	HT platmorm	HT platmorm	HT platmorm
HANDLEBAR	RITCHEY MTN Rizer Trail WCS 15 mm 760 / 780 mm	AUTHOR 15 mm 700 / 720 mm	AUTHOR 15 mm 740 / 760 mm	AUTHOR 15 mm 680 / 700 mm
GRIPS	AUTHOR Pro Lock	AUTHOR high density foam	AUTHOR Pro Lock	AUTHOR high density foam
STEM	AUTHOR alloy	AUTHOR alloy	AUTHOR alloy	AUTHOR alloy
SEAT POST	KIND SHOCK RAGEi suspension travel 125 mm / 150 mm (30.9)	AUTHOR alloy (30.9)	AUTHOR alloy (30.9)	AUTHOR alloy (30.9)
SEAT CLAMP	AUTHOR (34.9)	AUTHOR (34.9)	AUTHOR (34.9)	AUTHOR (34.9)
SADDLE	AUTHOR E-Mode	AUTHOR E-Donna	AUTHOR E-Mode	AUTHOR E-Donna
SPEED	11	11	11	11
WEIGHT	24,3 kg / 19"	21,8 kg / 17"	22 kg / 19"	21,8 kg / 17"

MODEL	ELEVE 29	ELEVE 29 ASL	ELEVE ASL	EMPIRE
SIZE	17", 19", 21"	17", 19"	17", 19"	16", 18", 20", 22"
FRAME	double butted hydroformed alloy 6061 29" (integrated battery)	double butted hydroformed alloy 6061 29" (integrated battery)	double butted hydroformed alloy 6061 27.5" (integrated battery)	double butted hydroformed alloy 6061 29" (integrated battery)
FRONT FORK	RST Aerial 110-15 TnL air, lock out 15 mm thru axle boost 1.5" tapered column (100 mm)	RST Aerial 110-15 TnL air, lock out 15 mm thru axle boost 1.5" tapered column (100 mm)	RST Aerial 110-15 TnL air, lock out 15 mm thru axle boost 1.5" tapered column (120 mm)	RST ViV Air TnL air, lock out 1.5" tapered column (80 mm)
DRIVING UNIT	SHIMANO Steps E-5000, 250 W	SHIMANO Steps E-5000, 250 W	SHIMANO Steps E-5000, 250 W	SHIMANO Steps E-6100, 250 W
BATTERY	SHIMANO E-8035 Li-Ion, 36 V, 14 Ah, 504 Wh	SHIMANO E-8035 Li-Ion, 36 V, 14 Ah, 504 Wh	SHIMANO E-8035 Li-Ion, 36 V, 14 Ah, 504 Wh	SHIMANO E-8035 Li-Ion, 36 V, 14 Ah, 504 Wh
DISPLAY	SHIMANO Steps E-7000, LCD	SHIMANO Steps E-7000, LCD	SHIMANO Steps E-7000, LCD	SHIMANO Steps E-7000, LCD
HEAD PARTS	AUTHOR Integrated 1.5"	AUTHOR Integrated 1.5"	AUTHOR Integrated 1.5"	AUTHOR Integrated 1.5"
CHAINWHEEL	SHIMANO Steps E-5010 38 teeth 170 / 175 mm cranks	SHIMANO Steps E-5010 38 teeth 170 / 175 mm cranks	SHIMANO Steps E-5010 38 teeth 170 / 175 mm cranks	SHIMANO Steps E-6100 38 teeth 170 / 175 mm cranks
B.B. PARTS	SHIMANO Steps	SHIMANO Steps	SHIMANO Steps	SHIMANO Steps
FRONT DERAILLEUR	-	-	-	-
REAR DERAILLEUR	SHIMANO Deore	SHIMANO Deore	SHIMANO Deore	SHIMANO Deore
SHIFTERS	SHIMANO Deore (10)	SHIMANO Deore (10)	SHIMANO Deore (10)	SHIMANO Deore (10)
FREEWHEEL	SHIMANO CS-M4100-10 11-46 (10)	SHIMANO CS-M4100-10 11-46 (10)	SHIMANO CS-M4100-10 11-46 (10)	SHIMANO CS-M4100-10 11-46 (10)
CHAIN	KMC e10T	KMC e10T	KMC e10T	KMC e10T
HUBS	QUANDO 15 x 110 mm thru front axle 12 x 148 mm thru rear axle 32 holes	QUANDO 15 x 110 mm thru front axle 12 x 148 mm thru rear axle 32 holes	QUANDO 15 x 110 mm thru front axle 12 x 148 mm thru rear axle 32 holes	AUTHOR Xenon 32 holes
BRAKES	TEKTRO Orion disc hydraulic (7" rotors)	TEKTRO Orion disc hydraulic (7" rotors)	TEKTRO Orion disc hydraulic (7" rotors)	TEKTRO Gemini disc hydraulic (7" rotors)
BRAKE LEVERS	TEKTRO Orion	TEKTRO Orion	TEKTRO Orion	TEKTRO Gemini
RIMS	AUTHOR E-Krypton 29 32 holes	AUTHOR E-Krypton 29 32 holes	AUTHOR E-Krypton 27.5 32 holes	AUTHOR Xenon 29 32 holes
SPOKES	black stainless steel 2.2 mm	black stainless steel 2.2 mm	black stainless steel 2.2 mm	black stainless steel 2.2 mm
TIRES	CST Patrol 29" x 2.25"	CST Patrol 29" x 2.25"	CST Patrol 27.5" x 2.25"	VITTORIA Barzo 29" x 2.10"
PEDALS	HT platmorm	HT platmorm	HT platmorm	HT platmorm
HANDLEBAR	AUTHOR 15 mm 700 / 720 mm	AUTHOR 15 mm 680 / 700 mm	AUTHOR 15 mm 680 / 700 mm	AUTHOR 15 mm 700 / 720 mm
GRIPS	AUTHOR Pro Lock	AUTHOR high density foam	AUTHOR high density foam	AUTHOR Pro Lock
STEM	AUTHOR alloy	AUTHOR alloy	AUTHOR alloy	AUTHOR alloy
SEAT POST	AUTHOR alloy (30.9)	AUTHOR alloy (30.9)	AUTHOR alloy (30.9)	AUTHOR alloy (27.2)
SEAT CLAMP	AUTHOR (34.9)	AUTHOR (34.9)	AUTHOR (34.9)	AUTHOR (31.8)
SADDLE	AUTHOR E-Mode	AUTHOR E-Donna	AUTHOR E-Donna	AUTHOR Sphere Gel
SPEED	10	10	10	10
WEIGHT	22,4 kg / 19"	22,2 kg / 17"	22,2 kg / 17"	21,7 kg / 20"

MODEL	ENIGMA	EDICT	ESSENCE	ELECTRA
SIZE	17", 19"	18", 20", 22"	17", 19"	17", 19"
FRAME	double butted hydroformed alloy 6061 29" (9) (integrated battery)	double butted hydroformed alloy 6061 29"	double butted hydroformed alloy 6061 29" (L)	alloy 6061 700c (L)
FRONT FORK	RST ViV Air TnL air, lock out 1.5" tapered column (80 mm)	RST ViV Air TnL air, lock out (80 mm)	RST ViV Air TnL air, lock out (80 mm)	RST Nova TnL lock out (60 mm)
DRIVING UNIT	SHIMANO Steps E-6100, 250 W	SHIMANO Steps E-5000, 250 W	SHIMANO Steps E-5000, 250 W	SHIMANO Steps E-5000, 250 W
BATTERY	SHIMANO E-8035 Li-Ion, 36 V, 14 Ah, 504 Wh	SHIMANO E-8010 Li-Ion, 36 V, 14 Ah, 504 Wh	SHIMANO E-8010 Li-Ion, 36 V, 14 Ah, 504 Wh	SHIMANO E-8010 Li-Ion, 36 V, 14 Ah, 504 Wh
DISPLAY	SHIMANO Steps E-7000, LCD	SHIMANO Steps E-6100, LCD	SHIMANO Steps E-6100, LCD	SHIMANO Steps E-6100, LCD
HEAD PARTS	AUTHOR Integrated 1.5"	AUTHOR Integrated 1-1/8"	AUTHOR Integrated 1-1/8"	PRESTINE Integrated 1-1/8"
CHAINWHEEL	SHIMANO Steps E-6100 38 teeth 170 / 175 mm cranks	SHIMANO Steps E-5010 38 teeth 170 / 175 mm cranks	SHIMANO Steps E-5010 38 teeth 170 / 175 mm cranks	SHIMANO Steps E-5010 38 teeth 170 mm cranks
B.B. PARTS	SHIMANO Steps	SHIMANO Steps	SHIMANO Steps	SHIMANO Steps
FRONT DERAILLEUR	-	-	-	-
REAR DERAILLEUR	SHIMANO Deore	SHIMANO Alivio	SHIMANO Alivio	SHIMANO Alivio
SHIFTERS	SHIMANO Deore (10)	SHIMANO Alivio (9)	SHIMANO Alivio (9)	SHIMANO Alivio (9)
FREEWHEEL	SHIMANO CS-M4100-10 11-46 (10)	SHIMANO HG200-9 11-36 (9)	SHIMANO HG200-9 11-36 (9)	SHIMANO HG200-9 11-36 (9)
CHAIN	KMC e10T	KMC e9T	KMC e9T	KMC e9T
HUBS	AUTHOR Xenon 32 holes	AUTHOR Radon 32 holes	AUTHOR Radon 32 holes	AUTHOR Radon 36 holes
BRAKES	TEKTRO Gemini disc hydraulic (7" rotors)	TEKTRO Gemini disc hydraulic (7" rotors)	TEKTRO Gemini disc hydraulic (7" rotors)	TEKTRO Vela disc hydraulic (6" rotors)
BRAKE LEVERS	TEKTRO Gemini WS	TEKTRO Gemini	TEKTRO Gemini WS	TEKTRO Vela
RIMS	AUTHOR Xenon 29 32 holes	AUTHOR Xenon 29 32 holes	AUTHOR Xenon 29 32 holes	AUTHOR Radon Cross 36 holes
SPOKES	black stainless steel 2.2 mm	black stainless steel 2.2 mm	black stainless steel 2.2 mm	black stainless steel 2.0 mm
TIRES	VITTORIA Barzo 29" x 2.10"	VITTORIA Barzo 29" x 2.10"	VITTORIA Barzo 29" x 2.10"	CST reflexive stripes 700 x 40c
PEDALS	AUTHOR Non Slip alloy	HT platmorm	AUTHOR Non Slip alloy	AUTHOR Non Slip alloy
HANDLEBAR	AUTHOR 15 mm 660 / 680 mm	AUTHOR 15 mm 700 / 720 mm	AUTHOR 15 mm 660 / 680 mm	AUTHOR 25 mm 640 mm
GRIPS	AUTHOR Pro Lock	AUTHOR Pro Lock	AUTHOR Pro Lock	AUTHOR Pro Lock
STEM	AUTHOR alloy	AUTHOR alloy	AUTHOR alloy	UNO adjustable
SEAT POST	AUTHOR alloy (27.2)	AUTHOR alloy (27.2)	AUTHOR alloy (27.2)	UNO suspension (27.2)
SEAT CLAMP	AUTHOR (31.8)	AUTHOR (31.8)	AUTHOR (31.8)	AUTHOR (34.9)
SADDLE	AUTHOR Area Gel	AUTHOR Sphere Gel	AUTHOR Area Gel	AUTHOR Queen Sofa
SPEED	10	9	9	9
WEIGHT	21,7 kg / 17"	20,7 kg / 20"	20,7 kg / 17"	22,8 kg / 17"



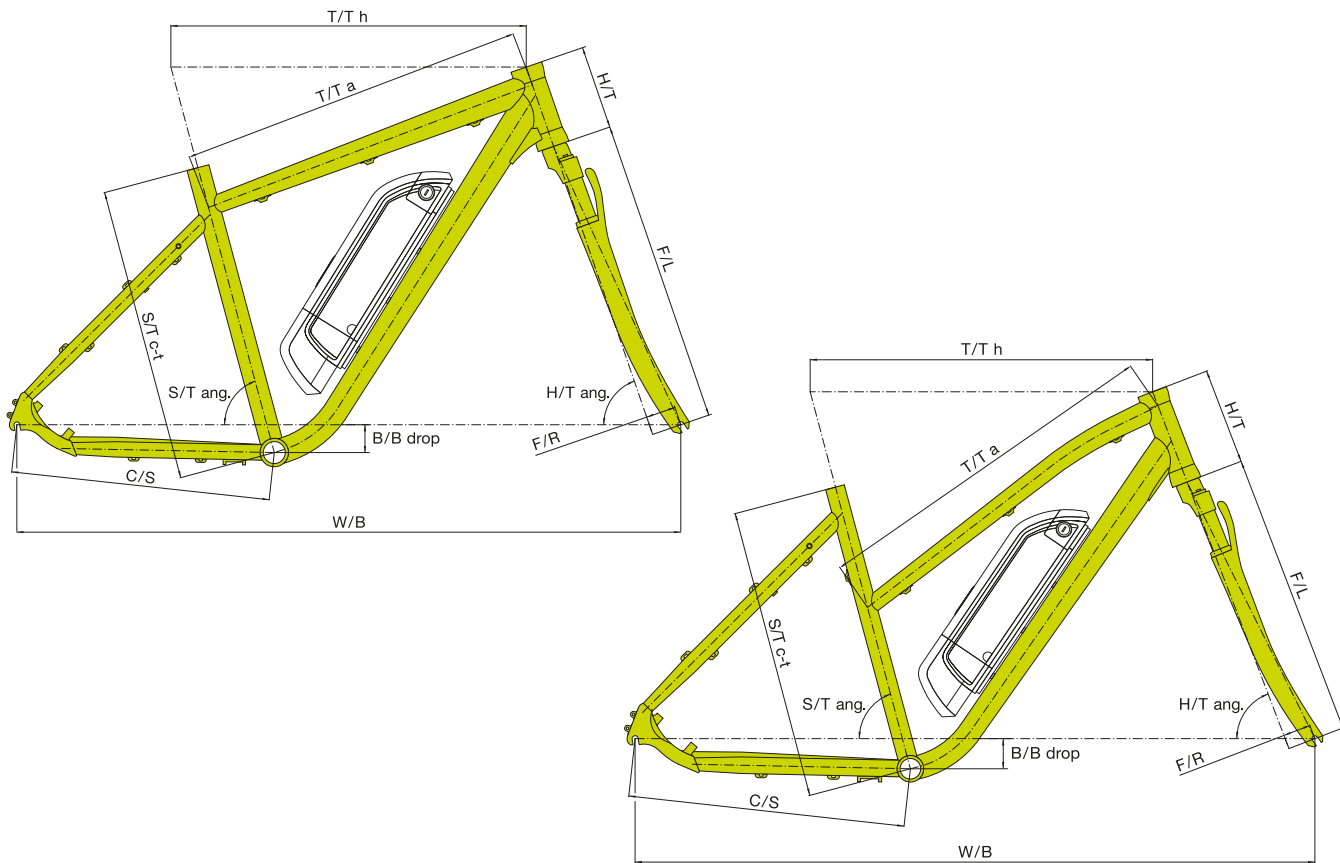
	S/T c-t	T/T h	T/T a	H/T	C/S	W/B	S/T ang.	H/T ang.	F/L	B/B drop	B/B width	F/R	REACH	STACK
ELITE * T 1.5" PF														
17"	432	590	548	130	450	1176	74.0	67.0	564	15	-	51	408	634
19"	483	610	566	130	450	1185	74.0	67.0	564	15	-	51	428	634
21"	534	620	572	140	450	1209	74.0	67.0	564	15	-	51	436	643
ELEVATION 29 / ELEVATION 29 ASL / ELEVE 29 / ELEVE 29 ASL * T 1.5" PF														
17"	432	600	579	120	475	1165	73,0	68,0	520	58	-	51	406	635
19"	483	620	596	130	475	1186	73,0	68,0	520	58	-	51	423	644
21"	533	640	614	135	475	1206	73,0	68,0	520	58	-	51	442	649
ELEVATION ASL / ELEVE ASL * T 1.5" PF														
17"	432	600	584	120	460	1155	73,0	68,0	540	51	-	43	402	647
19"	483	620	597	130	460	1176	73,0	68,0	540	51	-	43	419	656

* t 1.5" PF – integrated head set 1.5" tapered PF PF – Press Fit

GEOMETRY TABLE LEGEND:

- S/T c-t – seat tube (center-top)
- T/T h – top tube horizontal
- T/T a – top tube actual
- H/T – head tube
- C/S – chain stay
- W/B – wheel base
- S/T ang. – seat tube angle
- H/T ang. – head tube angle
- F/L – fork length
- B/B drop – bottom bracket drop
- B/B width – bottom bracket width
- F/R – fork rake
- REACH – the horizontal distance from the center of the bottom bracket / crank to the top middle point of the head tube
- STACK – the vertical distance from the center of the frame's bottom bracket / crank to the top middle point of the head tube

Recommended frame size to the body height for each model you can find on our web site www.author.eu



	S/T ct	T/T h	T/T a	H/T	C/S	W/B	S/T ang.	H/T ang.	F/L	B/B drop	B/B width	F/R
EMPIRE*												
18"	457	585	564	130	460	1091	73.0	71.0	490	60	-	44
20"	508	600	574	150	460	1107	73.0	71.0	490	60	-	44
22"	559	620	595	160	460	1127	73.0	71.0	490	60	-	44
ENIGMA*												
17"	432	575	609	125	460	1093	73.5	70.5	490	60	-	44
19"	483	585	620	130	460	1103	73.5	70.5	490	60	-	44
EDICT*												
16"	406	560	540	110	489	1095	73.0	71.0	490	60	-	44
18"	457	580	556	130	489	1116	73.0	71.0	490	60	-	44
20"	508	600	574	150	489	1136	73.0	71.0	490	60	-	44
22"	559	620	595	160	489	1157	73.0	71.0	490	60	-	44
ESSENCE*												
17"	432	565	545	120	489	1112	73.5	70.5	490	60	-	44
19"	483	585	564	130	489	1132	73.5	70.5	490	60	-	44
ELECTRA*												
17"	432	580	569	160	475	1120	73.0	69.0	470	60	-	45
19"	483	590	572	170	475	1131	73.0	69.0	470	60	-	45

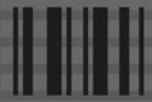
* - 1 1/8" integrated head set PF 50 mm

PF - Press Fit

GEOMETRY TABLE LEGEND:

- S/T c-t - seat tube (center-top)
- T/T h - top tube horizontal
- T/T a - top tube actual
- H/T - head tube
- C/S - chain stay
- W/B - wheel base
- S/T ang. - seat tube angle
- H/T ang. - head tube angle
- F/L - fork length
- B/B drop - bottom bracket drop
- B/B width - bottom bracket width
- F/R - fork rake

Recommended frame size to the body height for each model you can find on our web site www.author.eu



ROAD



CHARISMA 77



CHARISMA 66



CHARISMA 55



AURA 55



WHEEL SET

SHIMANO
2x11

CERTIFICATED



CHARISMA 77

FRAME	Author A carbon monocoque	BRAKES	Shimano Dura Ace
FORK	Author A carbon monocoque	WHEEL SET	Mavic Ksyrium Pro Exalith 25 WTS
CHAINWHEEL	Shimano Dura Ace (53-39 teeth), BB unit	TIRES	Mavic Yksion Pro SSC Kevlar 700 x 25c, foldable
REAR DERAILLEUR / SHIFTERS	Shimano Dura Ace, 22 speed	WEIGHT	7,1 kg / 58 cm
CASSETTE	Shimano CS-R9100, 11 speed (11-30 teeth)		



WHEEL SET

SHIMANO
2x11

CERTIFICATED



CHARISMA 66

FRAME	Author B carbon monocoque	BRAKES	Shimano Ultegra
FORK	Author B carbon monocoque	WHEEL SET	Mavic Ksyrium Elite WTS 25
CHAINWHEEL	Shimano Ultegra (52-36 teeth), BB unit	TIRES	Mavic Yksion Pro Kevlar 700 x 25c, foldable
REAR DERAILLEUR / SHIFTERS	Shimano Ultegra, 22 speed	WEIGHT	7,5 kg / 58 cm
CASSETTE	Shimano CS-R8000, 11 speed (11-32 teeth)		



WHEEL SET

SHIMANO
2x11

CERTIFICATED



CHARISMA 55

FRAME	Author B carbon monocoque	BRAKES	Shimano 105
FORK	Author C carbon monocoque	WHEEL SET	Mavic Aksium Elite Evo UST
CHAINWHEEL	Shimano 105 Compact (52-36 teeth), BB unit	TIRES	Vittoria Zaffiro Pro V 700 x 25c, foldable
REAR DERAILLEUR / SHIFTERS	Shimano 105, 22 speed	WEIGHT	8,3 kg / 58 cm
CASSETTE	Shimano CS-R7000, 11 speed (11-32 teeth)		



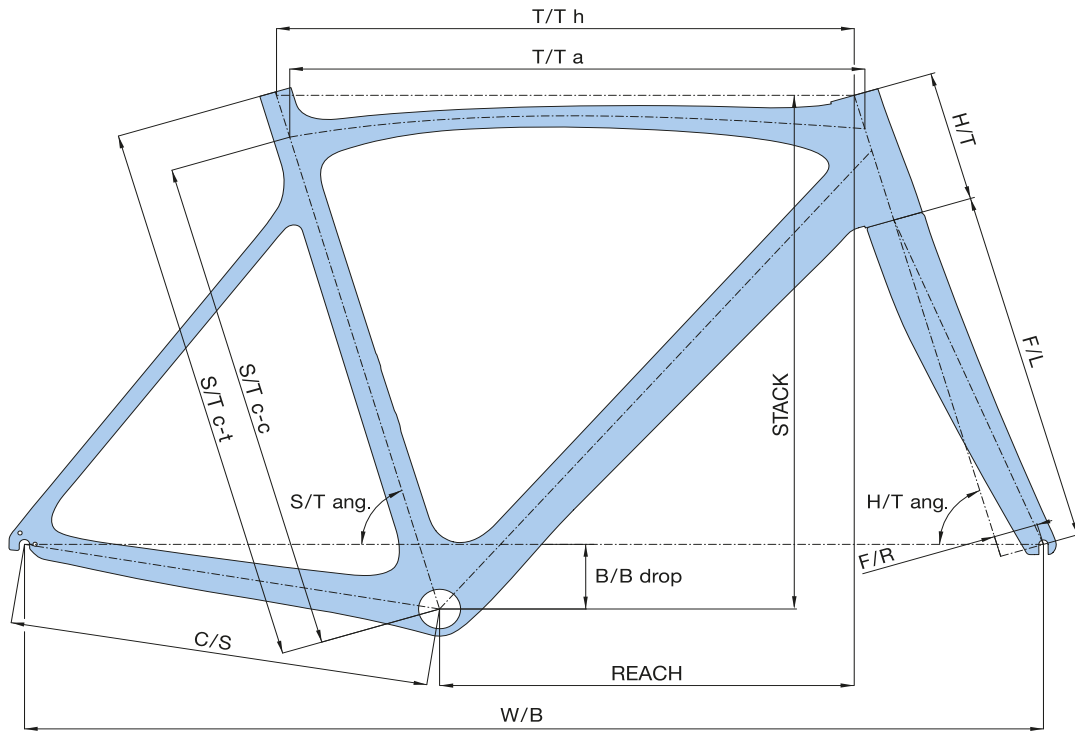
WHEEL SET

SHIMANO
2x11

AURA 55

FRAME	triple butted alloy 6061	BRAKES	Tektro R313
FORK	Author C carbon	WHEEL SET	Mavic Aksium
CHAINWHEEL	Shimano Compact (50-34 teeth)	TIRES	Vittoria Zaffiro Pro V 700 x 28c, foldable
REAR DERAILLEUR / SHIFTERS	Shimano 105, 22 speed	WEIGHT	9 kg / 54 cm
CASSETTE	Shimano CS-R7000, 11 speed (11-32 teeth)		

MODEL	CHARISMA 77	CHARISMA 66	CHARISMA 55	AURA 55
SIZE	520, 540, 560, 580, 600, 620 mm	520, 540, 560, 580, 600, 620 mm	520, 540, 560, 580, 600, 620 mm	480, 500, 520, 540, 560, 580 mm
FRAME	AUTHOR A carbon monocoque	AUTHOR B carbon monocoque	AUTHOR B carbon monocoque	triple butted alloy 6061
FRONT FORK	AUTHOR A carbon monocoque 1.5" tapered	AUTHOR B carbon monocoque 1.5" tapered	AUTHOR C carbon monocoque 1.5" tapered	AUTHOR C carbon 1.5" tapered
HEAD PARTS	FSA Orbit C-40 1.5" tapered	FSA Orbit C-40 1.5" tapered	FSA Orbit C-40 1.5" tapered	PRESTINE Integrated 1.5" tapered
CHAINWHEEL	SHIMANO Dura Ace 53-39 teeth 170 / 172.5 / 175 / 177.5 mm cranks	SHIMANO Ultegra 52-36 teeth 170 / 172.5 / 175 mm cranks	SHIMANO 105 52-36 teeth 170 / 172.5 / 175 mm cranks	SHIMANO Compact 50-34 teeth 170 / 172.5 / 175 mm cranks
B. B. PARTS	SHIMANO BB-92 BB unit	SHIMANO BB-72 BB unit	SHIMANO BB-72 BB unit	SHIMANO BB-RS500 BB unit
FRONT DERAILLEUR	SHIMANO Dura Ace	SHIMANO Ultegra	SHIMANO 105	SHIMANO 105
REAR DERAILLEUR	SHIMANO Dura Ace	SHIMANO Ultegra	SHIMANO 105	SHIMANO 105
SHIFTERS	SHIMANO Dura Ace (22)	SHIMANO Ultegra (22)	SHIMANO 105 (22)	SHIMANO 105 (22)
FREEWHEEL	SHIMANO CS-R9100 11-30 (11)	SHIMANO CS-R8000 11-32 (11)	SHIMANO CS-R7000 11-32 (11)	SHIMANO CS-R7000 11-32 (11)
CHAIN	SHIMANO HG901	SHIMANO HG701	SHIMANO HG601	KMC X11 EL
HUBS	MAVIC Ksyrium Pro Exalith 25 WTS wheel set 18 / 20 holes	MAVIC Ksyrium Elite 25 WTS wheel set 18 / 20 holes	MAVIC Aksium Elite Evo UST wheel set 20 holes	MAVIC Aksium wheel set 20 holes
BRAKES	SHIMANO Dura Ace	SHIMANO Ultegra	SHIMANO 105	TEKTRO R313
BRAKE LEVERS	SHIMANO Dura Ace	SHIMANO Ultegra	SHIMANO 105	SHIMANO 105
RIMS	MAVIC Ksyrium Pro Exalith 25 WTS wheel set 18 / 20 holes	MAVIC Ksyrium Elite 25 WTS wheel set 18 / 20 holes	MAVIC Aksium Elite Evo UST wheel set 20 holes	MAVIC Aksium wheel set 20 holes
SPOKES	MAVIC	MAVIC	MAVIC	MAVIC
TIRES	MAVIC Yksion Pro SSC Griplink foldable MAVIC Yksion Pro SSC Powerlink foldable 700 x 25c	MAVIC Yksion Pro Griplink foldable MAVIC Yksion Pro Powerlink foldable 700 x 25c	VITTORIA Zaffiro Pro V foldable 700 x 25c	VITTORIA Zaffiro Pro V foldable 700 x 28c
PEDALS	-	-	-	-
HANDLEBAR	RITCHEY SL Road Evo Curve carbon 420 / 440 mm	RITCHEY Stream II WCS Road 420 / 440 mm	RITCHEY Stream II Comp Road 420 / 440 mm	RITCHEY Stream II Comp Road 420 / 440 mm
TAPES	AUTHOR microfiber / gel	AUTHOR microfiber / gel	AUTHOR microfiber / gel	AUTHOR microfiber / gel
STEM	RITCHEY WCS C220	RITCHEY WCS C220	RITCHEY Comp 4-Axis	RITCHEY Comp 4-Axis
SEAT POST	RITCHEY SL Carbon (27.2)	RITCHEY WCS Carbon (27.2)	RITCHEY Comp Carbon (27.2)	RITCHEY Comp Carbon (27.2)
SEAT CLAMP	AUTHOR (31.8)	AUTHOR (31.8)	AUTHOR (31.8)	AUTHOR (31.8)
SADDLE	PRIOLOGO Scratch 2	PRIOLOGO Scratch 2	PRIOLOGO Scratch 2 Space	AUTHOR Aura CR
SPEED	22	22	22	22
WEIGHT	7,1 kg / 58 cm	7,5 kg / 58 cm	8,3 kg / 58 cm	9 kg / 54 cm



	S/T c-t	S/T c-c	T/T h	T/T a	H/T	C/S	W/B	S/T ang.	H/T ang.	F/L	B/B drop	B/B width	F/R	REACH	STACK
CHARISMA 77 * T 1.5" DI															
520	520	480	550	543	110	410	977	73.0	73.3	365	67	86.5	43	395	509
540	540	488	550	544	120	410	979	73.3	73.3	365	67	86.5	43	394	518
560	560	511	563	560	135	410	993	73.4	73.4	365	67	86.5	43	404	533
580	578	540	574	574	155	410	995	73.0	74.0	365	64	86.5	43	405	551
600	600	550	585	582	175	410	1005	73.0	74.0	365	64	86.5	43	410	570
620	620	580	591	590	195	410	1011	73.0	74.0	365	64	86.5	43	410	590
CHARISMA 66 * T 1.5" DI / CHARISMA 55 * T 1.5" DI															
520	520	480	550	543	110	410	977	73.0	73.3	365	67	86.5	43	395	509
540	540	488	550	544	120	410	979	73.3	73.3	365	67	86.5	43	394	518
560	560	511	563	560	135	410	993	73.4	73.4	365	67	86.5	43	404	533
580	578	540	574	574	155	410	995	73.0	74.0	365	64	86.5	43	405	551
600	600	550	585	582	175	410	1005	73.0	74.0	365	64	86.5	43	410	570
620	620	580	591	590	195	410	1011	73.0	74.0	365	64	86.5	43	410	590
AURA 55 * T 1.5" DI															
480	480	440	525	513	100	420	992	74.5	71.5	377	72	68	45	382	515
500	500	460	532	520	120	420	994	74.2	71.8	377	71	68	45	381	534
520	520	480	542	529	140	420	1000	74.0	72.2	377	70	68	45	383	553
540	540	500	556	543	160	420	1008	73.7	72.5	377	70	68	45	388	573
560	560	520	570	556	180	420	1016	73.3	72.8	377	69	68	45	392	593
580	580	540	583	568	200	420	1024	73.0	73.0	377	68	68	45	396	611

* t 1.5" DI - integrated head set 1,5" tapered DI

DI - Drop In

GEOMETRY TABLE LEGEND:

- S/T c-t - seat tube (center-top)
- S/T c-c - seat tube (center-center)
- T/T h - top tube horizontal
- T/T a - top tube actual
- H/T - head tube
- C/S - chain stay
- W/B - wheel base
- S/T ang. - seat tube angle
- H/T ang. - head tube angle
- F/L - fork length
- B/B drop - bottom bracket drop
- B/B width - bottom bracket width
- F/R - fork rake
- REACH - the horizontal distance from the center of the bottom bracket / crank to the top middle point of the head tube
- STACK - the vertical distance from the center of the frame's bottom bracket / crank to the top middle point of the head tube

Recommended frame size to the body height for each model you can find on our web site www.author.eu



GRAVEL



GURU



RONIN SL



RONIN



AURA XR6



AURA XR5



AURA XR4



AURA XR3



WHEEL SET



12x142



12x100



GURU

FRAME	B carbon monocoque
FORK	B carbon monocoque
CHAINWHEEL	Shimano GRX 600 (46-30 teeth), BB unit
REAR DERAILLEUR / SHIFTERS	Shimano GRX 810 / GRX 600, 22 speed
CASSETTE	Shimano HG700-11, 11 speed (11-34 teeth)

BRAKES	Shimano GRX 400 (160 mm), hydraulic
WHEEL SET	Mavic Allroad Disc CL UST
TIRES	Panaracer Gravel King SK 700 x 38c, aramid
WEIGHT	9,2 kg / 54 cm



WHEEL SET



12x142



12x100



RONIN SL

FRAME	triple butted cromoly Reynolds
FORK	Author carbon 1.5" tapered
CHAINWHEEL	Shimano GRX 600 (46-30 teeth), BB unit
REAR DERAILLEUR / SHIFTERS	Shimano GRX 812 / GRX 600, 22 speed
CASSETTE	Shimano HG700-11, 11 speed (11-34 teeth)

BRAKES	Shimano GRX 400 (160 mm), hydraulic
WHEEL SETS	Mavic Allroad Disc CL UST
TIRES	Panaracer Gravel King SK 700 x 38c, aramid
WEIGHT	10,2 kg / 54 cm

SHIMANO
2 x 10



RONIN

FRAME	triple butted cromoly	CASSETTE	Shimano HG500-10, 10 speed (11-34 teeth)
FORK	cromoly	BRAKES	Shimano GRX 400 (160 mm), hydraulic
CHAINWHEEL	Shimano GRX 600 (46-30 teeth), BB unit	TIRES	Panaracer Gravel King SK Sport 700 x 38c
REAR DERAILLEUR / SHIFTERS	Shimano GRX 400, 20 speed	WEIGHT	11,8 kg / 54 cm



WHEEL SET

SHIMANO
2x11

12x142



12x100



AURA XR6

FRAME	triple butted alloy 6061	BRAKES	Shimano GRX 400 (160 mm), hydraulic
FORK	Author carbon 1.5" tapered	WHEEL SET	Mavic Allroad Disc CL UST
CHAINWHEEL	Shimano GRX 600 (46-30 teeth), BB unit	TIRES	Panaracer Gravel King SK 700 x 38c, aramid
REAR DERAILLEUR / SHIFTERS	Shimano GRX 810 / GRX 600, 22 speed	WEIGHT	9,8 kg / 54 cm
CASSETTE	Shimano HG700-11, 11 speed (11-34 teeth)		

SHIMANO
2x10

12x142

12x100



AURA XR5

FRAME	triple butted alloy 6061	CASSETTE	Shimano HG500-10, 10 speed (11-34 teeth)
FORK	Author carbon / alloy 1.5" tapered	BRAKES	Shimano GRX 400 (160 mm), hydraulic
CHAINWHEEL	Shimano GRX 600 (46-30 teeth), BB unit	TIRES	Panaracer Gravel King SK Sport 700 x 38c, aramid
REAR DERAILLEUR / SHIFTERS	Shimano GRX 400, 20 speed	WEIGHT	10,6 kg / 54 cm

SHIMANO
2x10

12x100



AURA XR4

FRAME	triple butted alloy 6061	CASSETTE	Shimano HG500-10, 10 speed (11-34 teeth)
FORK	Author carbon / alloy 1.5" tapered	BRAKES	SHIMANO RS305 (160 mm), mechanical
CHAINWHEEL	Shimano GRX 600 (46-30 teeth), BB unit	TIRES	Panaracer Gravel King SK Sport 700 x 38c
REAR DERAILLEUR / SHIFTERS	Shimano GRX 400 / Tiagra, 20 speed	WEIGHT	10,8 kg / 54 cm

12x100

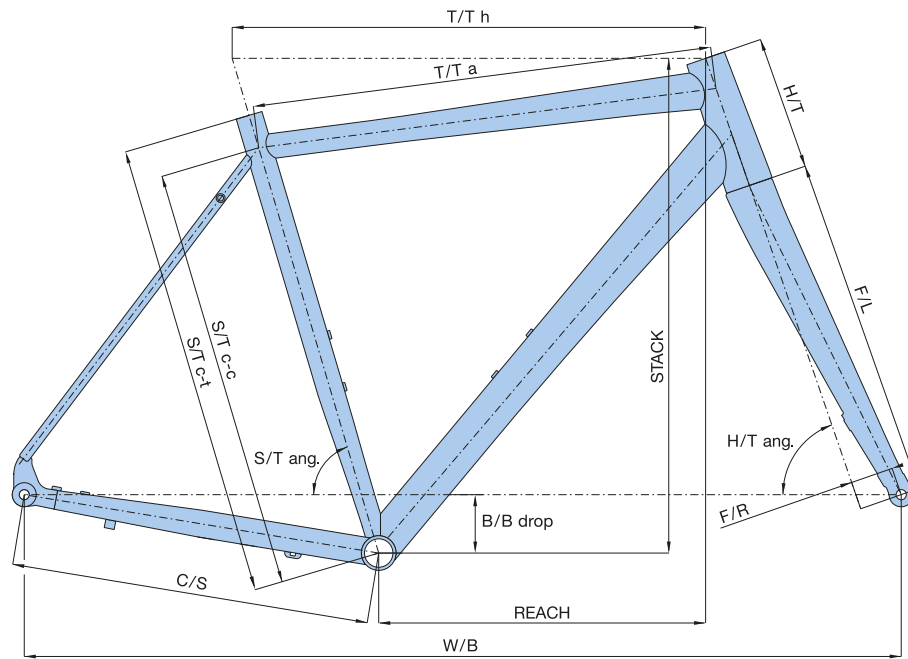


AURA XR3

FRAME	triple butted alloy 6061	CASSETTE	Shimano HG400-9, 9 speed (11-32 teeth)
FORK	Author alloy 1.5" tapered	BRAKES	SHIMANO RS305 (160 mm) mechanical
CHAINWHEEL	Prowheel RPL (48-32 teeth)	TIRES	Panaracer Gravel King SK Sport 700 x 38c
REAR DERAILLEUR / SHIFTERS	Shimano Sora, 18 speed	WEIGHT	11,1 kg / 54 cm

MODEL	GURU	RONIN SL	RONIN
SIZE	480, 500, 520, 540, 560 mm	500, 520, 540, 560, 580 mm	500, 520, 540, 560, 580 mm
FRAME	AUTHOR B carbon monocoque	triple butted cromoly REYNOLDS	triple butted cromoly
FRONT FORK	AUTHOR carbon 1.5" tapered	AUTHOR carbon 1.5" tapered	cromoly 700C
HEAD PARTS	FSA Orbit C-40 1.5" tapered	PRESTINE Integrated 1.5" tapered	PRESTINE 1-1/8"
CHAINWHEEL	SHIMANO GRX 600 46-30 teeth 172.5 / 175 mm cranks	SHIMANO GRX 600 46-30 teeth 172.5 / 175 mm cranks	SHIMANO GRX 600 46-30 teeth 172.5 / 175 mm cranks
B.B. PARTS	SHIMANO BB-RS500 BB unit	SHIMANO BB-RS500 BB unit	SHIMANO BB-RS500 BB unit
FRONT DERAILLEUR	SHIMANO GRX 810	SHIMANO GRX 810	SHIMANO GRX 400
REAR DERAILLEUR	SHIMANO GRX 810	SHIMANO GRX 812	SHIMANO GRX 400
SHIFTERS	SHIMANO GRX 600 (22)	SHIMANO GRX 600 (22)	SHIMANO GRX 400 (20)
FREEWHEEL	SHIMANO HG700-11 11-34 (11)	SHIMANO HG700-11 11-34 (11)	SHIMANO HG500-10 11-34 (10)
CHAIN	KMC X11 EL	KMC X11 EL	KMC X10
HUBS	MAVIC Allroad Disc CL UST wheel set 20 holes 12 x 100 mm thru front axle 12 x 142 mm rear axle	MAVIC Allroad Disc CL UST wheel set 20 holes 12 x 100 mm thru front axle 12 x 142 mm rear axle	QUANDO Road Disc 32 holes
BRAKES	SHIMANO GRX 400 disc hydraulic (160 mm rotors)	SHIMANO GRX 400 disc hydraulic (160 mm rotors)	SHIMANO GRX 400 disc hydraulic (160 mm rotors)
BRAKE LEVERS	SHIMANO GRX 600	SHIMANO GRX 600	SHIMANO GRX 400
RIMS	MAVIC Allroad Disc CL UST wheel set 20 holes	MAVIC Allroad Disc CL UST wheel set 20 holes	JALCO SRD 21 32 holes
SPOKES	MAVIC	MAVIC	black stainless steel 1.8 mm
TIRES	PANARACER Gravel King SK aramid 700 x 38c	PANARACER Gravel King SK aramid 700 x 38c	PANARACER Gravel King SK Sport 700 x 38c
PEDALS	-	-	-
HANDLEBAR	RITCHEY Road ErgoMax 420 / 440 / 460 mm	RITCHEY Road ErgoMax 420 / 440 / 460 mm	PROMAX 420 / 440 / 460 mm
TAPES	AUTHOR microfiber / gel	AUTHOR microfiber / gel	AUTHOR suede / gel
STEM	RITCHEY Comp 4-Axis	RITCHEY Comp 4-Axis	AUTHOR
SEAT POST	RITCHEY Comp (27.2)	RITCHEY Comp (27.2)	AUTHOR (27.2)
SEAT CLAMP	AUTHOR (31.8)	AUTHOR (29.8)	AUTHOR (29.8)
SADDLE	AUTHOR Guru CR	AUTHOR Guru CR	AUTHOR Guru
SPEED	22	22	20
WEIGHT	9,2 kg / 54 cm	10,2 kg / 54 cm	11,8 kg / 54 cm

MODEL	AURA XR6	AURA XR5	AURA XR4	AURA XR3
SIZE	500, 520, 540, 560, 580 mm	500, 520, 540, 560, 580 mm	500, 520, 540, 560, 580 mm	500, 520, 540, 560, 580 mm
FRAME	triple butted alloy 6061	triple butted alloy 6061	triple butted alloy 6061	triple butted alloy 6061
FRONT FORK	AUTHOR carbon 1.5" tapered	AUTHOR carbon legs, alloy steerer 1.5" tapered	AUTHOR carbon legs, alloy steerer 1.5" tapered	AUTHOR alloy 1.5" tapered
HEAD PARTS	PRESTINE Integrated 1.5" tapered	PRESTINE Integrated 1.5" tapered	PRESTINE Integrated 1.5" tapered	PRESTINE Integrated 1.5" tapered
CHAINWHEEL	SHIMANO GRX 600 46-30 teeth 172.5 / 175 mm cranks	SHIMANO GRX 600 46-30 teeth 172.5 / 175 mm cranks	SHIMANO GRX 600 46-30 teeth 172.5 / 175 mm cranks	PROWHEEL RPL 48-32 teeth 172.5 / 175 mm cranks
B.B. PARTS	SHIMANO BB-RS500 BB unit	SHIMANO BB-RS500 BB unit	SHIMANO BB-RS500 BB unit	SHIMANO BB-UN300 cartridge
FRONT DERAILLEUR	SHIMANO GRX 810	SHIMANO GRX 400	SHIMANO GRX 400	SHIMANO Sora
REAR DERAILLEUR	SHIMANO GRX 810	SHIMANO GRX 400	SHIMANO Tiagra (20)	SHIMANO Sora
SHIFTERS	SHIMANO GRX 600 (22)	SHIMANO GRX 400 (20)	SHIMANO GRX 400 (20)	SHIMANO Sora (18)
FREEWHEEL	SHIMANO HG700-11 11-34 (11)	SHIMANO HG500-10 11-34 (10)	SHIMANO HG500-10 11-34 (10)	SHIMANO HG400-9 11-32 (9)
CHAIN	KMC X11 EL	KMC X10	KMC X10	SHIMANO HG53
HUBS	MAVIC Allroad Disc CL UST wheel set 20 holes 12 x 100 mm thru front axle 12 x 142 mm rear thru axle	SHIMANO Road Disc 12 x 100 mm thru front axle 12 x 142 mm rear thru axle 32 holes	QUANDO Road Disc 12 x 100 mm thru front axle 32 holes	QUANDO Road Disc 12 x 100 mm thru front axle 32 holes
BRAKES	SHIMANO GRX 400 disc hydraulic (160 mm rotors)	SHIMANO GRX 400 disc hydraulic (160 mm rotors)	SHIMANO RS305 kotoučové mechanické (160 mm kotouče)	SHIMANO RS305 disc mechanical (160 mm rotors)
BRAKE LEVERS	SHIMANO GRX 600	SHIMANO GRX 400	SHIMANO Tiagra	SHIMANO Sora
RIMS	MAVIC Allroad Disc CL UST wheel set 20 holes	JALCO SRD 21 32 holes	JALCO SRD 21 32 holes	JALCO SRD 21 32 holes
SPOKES	MAVIC	black stainless steel 2.0 mm	black stainless steel 2.0 mm	black stainless steel 2.0 mm
TIRES	PANARACER Gravel King SK aramid 700 x 38c	PANARACER Gravel King SK Sport aramid 700 x 38c	PANARACER Gravel King SK Sport 700 x 38c	PANARACER Gravel King SK Sport 700 x 38c
PEDALS	-	-	-	-
HANDLEBAR	RITCHEY Road ErgoMax 420 / 440 / 460 mm	PROMAX 420 / 440 / 460 mm	PROMAX 420 / 440 / 460 mm	PROMAX 420 / 440 / 460 mm
TAPES	AUTHOR microfiber / gel	AUTHOR suede / gel	AUTHOR suede / gel	AUTHOR suede / gel
STEM	RITCHEY Comp 4-Axis	AUTHOR	AUTHOR	AUTHOR
SEAT POST	RITCHEY 2B Comp (27.2)	AUTHOR (27.2)	AUTHOR (27.2)	AUTHOR (27.2)
SEAT CLAMP	AUTHOR (31.8)	AUTHOR (31.8)	AUTHOR (31.8)	AUTHOR (31.8)
SADDLE	AUTHOR Guru CR	AUTHOR Guru CR	AUTHOR Guru	AUTHOR Guru
SPEED	22	20	20	18



	S/T c-t	S/T c-c	T/T h	T/T a	H/T	C/S	W/B	S/T ang.	H/T ang.	F/L	B/B drop	B/B width	F/R	REACH	STACK
GURU* T 1.5" DI															
48	480	432	514	499	120	425	1005	75.0	70.8	401	77.5	86.5	52	366	551
50	500	452	534	514	140	425	1007	73.5	71.2	401	75	86.5	52	365	571
52	520	472	550	529	155	425	1015	73.0	71.5	401	75	86.5	52	371	586
54	540	492	565	542	180	425	1026	72.5	71.5	401	72.5	86.5	52	373	607
56	560	512	580	558	195	425	1041	72.5	71.5	401	72.5	86.5	52	384	621
RONIN SL* T 1.5"															
500	500	460	530	517	120	425	1020	74.5	70.5	404	70	68	50	378	548
520	520	480	545	530	140	425	1026	74.0	71.0	404	70	68	50	382	569
540	540	500	560	544	160	425	1037	73.5	71.0	404	69	68	50	386	587
560	560	520	580	562	180	425	1047	73.0	71.5	404	68	68	50	395	607
580	580	540	595	575	200	425	1051	72.5	72.0	404	68	68	50	397	628
RONIN*															
500	500	460	530	515	120	425	1015	74.5	70.5	408	70	68	45	374	562
520	520	480	545	529	140	425	1021	74.0	71.0	408	70	68	45	378	583
540	540	500	560	542	160	425	1032	73.5	71.0	408	69	68	45	382	601
560	560	520	580	560	180	425	1042	73.0	71.5	408	68	68	45	390	617
580	580	540	595	573	200	425	1046	72.5	72.0	408	68	68	45	393	642
AURA XR6 / XR5 / XR4 / XR3* T 1.5" DI															
480	480	440	515	502	100	425	1002	75.0	70.5	400	71	68	45	373	530
500	500	460	530	518	120	425	1014	74.5	70.5	400	70	68	45	378	548
520	520	480	545	532	140	425	1020	74.0	71.0	400	70	68	45	382	568
540	540	500	560	546	160	425	1031	73.5	71.0	400	69	68	45	386	586
560	560	520	580	563	180	425	1042	73.0	71.5	400	68	68	45	395	606
580	580	540	595	576	200	425	1046	72.5	72.0	400	68	68	45	397	627

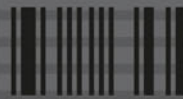
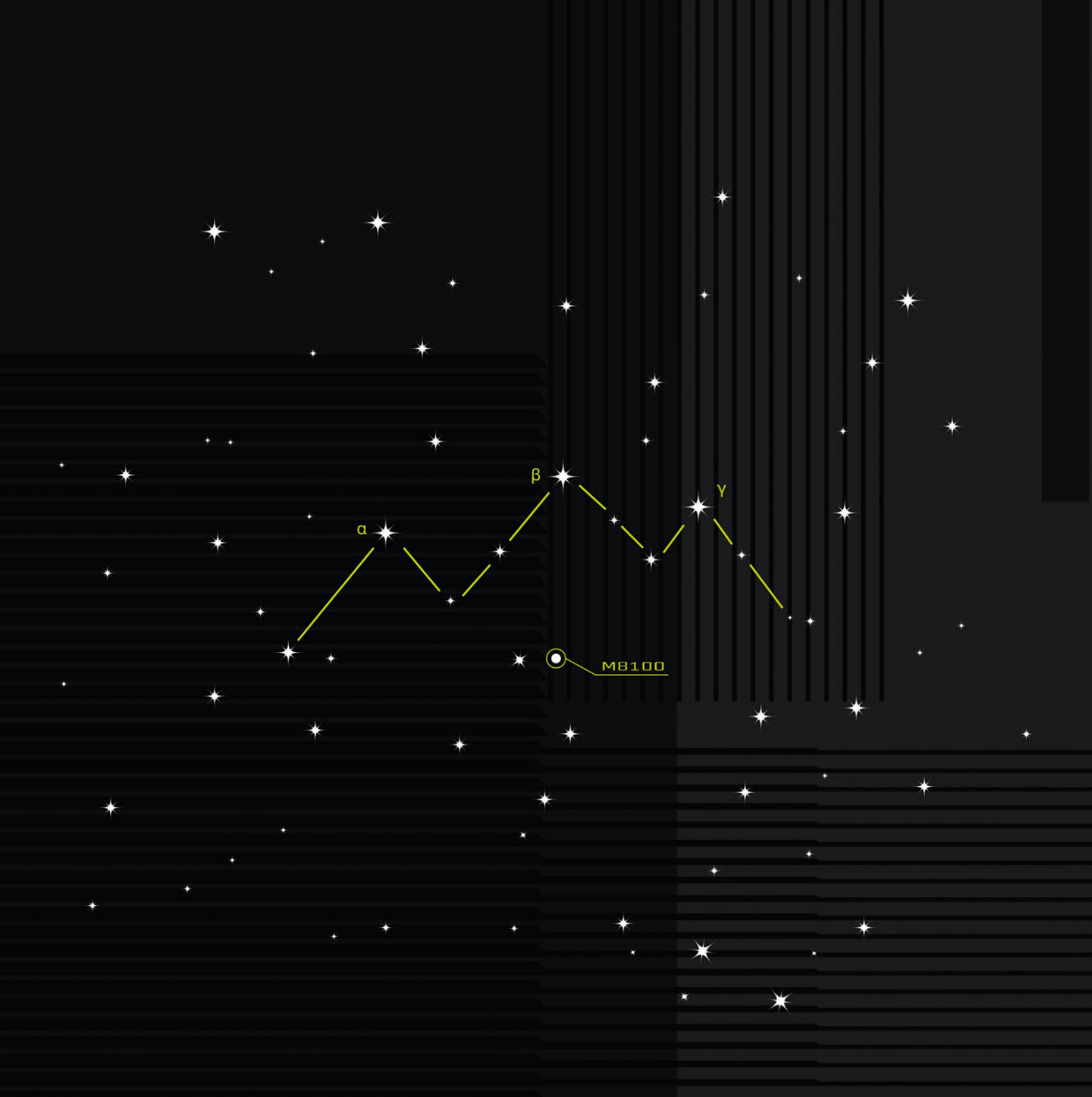
* t 1.5" DI – integrated head set 1.5" tapered DI
 * – 1 1/8" head set

DI – Drop In

GEOMETRY TABLE LEGEND:

- S/T c-t – seat tube [center-top]
- S/T c-c – seat tube [center-center]
- T/T h – top tube horizontal
- T/T a – top tube actual
- H/T – head tube
- C/S – chain stay
- W/B – wheel base
- S/T ang. – seat tube angle
- H/T ang. – head tube angle
- F/L – fork length
- B/B drop – bottom bracket drop
- B/B width – bottom bracket width
- F/R – fork rake
- REACH – the horizontal distance from the center of the bottom bracket / crank to the top middle point of the head tube
- STACK – the vertical distance from the center of the frame's bottom bracket / crank to the top middle point of the head tube

Recommended frame size to the body height for each model you can find on our web site www.author.eu



MTB 29



MAGNUM 29



SECTOR 29



MASTER 29



MODUS 29



EGOIST 29



VISION 29



ORION 29



CONTEXT 29



INSTINCT 29



TRACTION 29



SPIRIT 29



PEGAS 29 (A)



PEGAS 29 (B)



SOLUTION 29 [A]



SOLUTION 29 [B]



IMPULSE 29 [A]



IMPULSE 29 [B]



RIVAL 29 [A]



RIVAL 29 [B]



WHEEL SET



Boost 12x148



Boost 15x110



MAGNUM 29

FRAME	Author B carbon monocoque	BRAKES	Shimano XT (6"), hydraulic
FORK	FOX Performance 32 Float SC 29 Remote, 15 mm axle, 1.5" tapered (100 mm travel)	WHEEL SET	Author Flyer Carbon 29 TR
CHAINWHEEL	Shimano XT (36 teeth), BB unit	TIRES	Vittoria Barzo TNT 29" x 2.10", foldable
REAR DERAILLEUR / SHIFTERS	Shimano XT, 12 speed	WEIGHT	9,8 kg / 19"
CASSETTE	Shimano M7100, 12 speed (10-51 teeth)		



WHEEL SET

Boost 12x148



Boost 15x110



SECTOR 29

FRAME	Author B carbon monocoque	BRAKES	Shimano SLX (6"), hydraulic
FORK	FOX Performance 32 Float SC 29 Remote, 15 mm axle, 1.5" tapered (100 mm travel)	WHEEL SET	Mavic Crossmax 29
CHAINWHEEL	Shimano XT (34 teeth), BB unit	TIRES	Vittoria Barzo 29" x 2.25", foldable
REAR DERAILLEUR / SHIFTERS	Shimano XT, 12 speed	WEIGHT	10,3 kg / 19"
CASSETTE	Shimano M7100, 12 speed (10-51 teeth)		

SHIMANO
1x12

Boost 12x148

Boost 15x110



MASTER 29

FRAME	Author B carbon monocoque
FORK	ROCK SHOX Recon Gold RL Remote 29 15 Solo Air, 15 mm axle, 1.5" tapered (100 mm travel)
CHAINWHEEL	Shimano SLX (34 teeth), BB unit
REAR DERAILLEUR / SHIFTERS	Shimano XT / SLX, 12 speed

CASSETTE	Shimano M7100, 12 speed (10-51 teeth)
BRAKES	Shimano Deore (7"), hydraulic
TIRES	Vittoria Barzo 29" x 2.25", foldable
WEIGHT	11,2 kg / 19"

SHIMANO
2x11

Boost 12x148

15x100



MODUS 29

FRAME	Author B carbon monocoque
FORK	RST F1RST 29 15 TRL, 15 mm axle, 1.5" tapered (100 mm travel)
CHAINWHEEL	Shimano M5100-B2 (36-26 teeth), BB unit
REAR DERAILLEUR / SHIFTERS	Shimano Deore, 22 speed

CASSETTE	Shimano CS-M5100-11, 11 speed (11-42 teeth)
BRAKES	Tektro Gemini (7"), hydraulic
TIRES	Vittoria Barzo 29" x 2.25", foldable
WEIGHT	12 kg / 19"



WHEEL SET

Boost 12x148



Boost 15x110



EGOIST 29

FRAME	triple butted hydroformed alloy 6061	BRAKES	Shimano SLX (6"), hydraulic
FORK	FOX 32 Float SC 29 Remote, 15 mm axle, 1.5" tapered (100 mm travel)	WHEEL SET	Mavic Crossmax 29
CHAINWHEEL	Shimano XT (34 teeth), BB unit	TIRES	Vittoria Barzo 29" x 2.25", foldable
REAR DERAILLEUR / SHIFTERS	Shimano XT, 12 speed	WEIGHT	10,9 kg / 19"
CASSETTE	Shimano M7100, 12 speed (10-51 teeth)		



Boost 12x148

Boost 15x110



VISION 29

FRAME	triple butted hydroformed alloy 6061	CASSETTE	Shimano M7100, 12 speed (10-51 teeth)
FORK	ROCK SHOX Recon Gold RL Remote 29 15 Solo Air, 15 mm axle, 1.5" tapered (100 mm travel)	BRAKES	Shimano Deore (7"), hydraulic
CHAINWHEEL	Shimano SLX (34 teeth), BB unit	TIRES	Vittoria Barzo 29" x 2.25", foldable
REAR DERAILLEUR / SHIFTERS	Shimano XT / SLX, 12 speed	WEIGHT	11,8 kg / 19"

SHIMANO
1x12

Boost 12x148

15x100



ORION 29

FRAME	triple butted hydroformed alloy 6061	CASSETTE	Shimano M7100, 12 speed (10-51 teeth)
FORK	RST F1RST 29 15 TRL (100 mm travel)	BRAKES	Shimano BRMT400 (7"), hydraulic
CHAINWHEEL	Shimano SLX (34 teeth), BB unit	TIRES	Vittoria Barzo 29" x 2.25", foldable
REAR DERAILLEUR / SHIFTERS	Shimano XT / SLX, 12 speed	WEIGHT	11,9 kg / 1

SHIMANO
1x12

Boost 12x148

15x100



CONTEXT 29

FRAME	triple butted hydroformed alloy 6061	CASSETTE	Shimano M6100, 12 speed (10-51 teeth)
FORK	RST F1RST 29 15 TRL (100 mm travel)	BRAKES	Shimano BRMT400 (7"), hydraulic
CHAINWHEEL	Shimano M510-1 (34 teeth), BB unit	TIRES	Vittoria Barzo 29" x 2.25", foldable
REAR DERAILLEUR / SHIFTERS	Shimano Deore, 12 speed	WEIGHT	12,3 kg / 19"

SHIMANO
2x11

15x100



INSTINCT 29

FRAME	double butted hydroformed alloy 6061	CASSETTE	Shimano M5100-11, 11 speed (11-42 teeth)
FORK	RST F1RST 29 15 TRL (100 mm travel)	BRAKES	Shimano BRMT400 (7"), hydraulic
CHAINWHEEL	Shimano M5100-2 (36-26 teeth), BB unit	TIRES	Vittoria Barzo 29" x 2.25", foldable
REAR DERAILLEUR / SHIFTERS	Shimano Deore, 22 speed	WEIGHT	12,5 kg / 19"

SHIMANO
2x10



TRACTION 29

FRAME	double butted hydroformed alloy 6061	CASSETTE	Shimano M4100-10, 10 speed (11-42 teeth)
FORK	RST Aerial 29 TRL (100 mm travel)	BRAKES	Tektro Gemini (7"), hydraulic
CHAINWHEEL	Shimano M4100-2 (36-26 teeth), BB unit	TIRES	Vittoria Barzo 29" x 2.25", foldable
REAR DERAILLEUR / SHIFTERS	Shimano Deore, 20 speed	WEIGHT	13,3 kg / 19"

SHIMANO
2x9



SPIRIT 29

FRAME	hydroformed alloy 6061	CASSETTE	Shimano HG200-9, 9 speed (11-34 teeth)
FORK	RST Aerial 29 TRL (100 mm travel)	BRAKES	Tektro Auriga (7"), hydraulic
CHAINWHEEL	Shimano MT210-2 (36-22 teeth), BB unit	TIRES	Vittoria Barzo 29" x 2.10"
REAR DERAILLEUR / SHIFTERS	Shimano Alivio, 18 speed	WEIGHT	14,2 kg / 19"



SHIMANO
2 x 9



PEGAS 29 [A]

FRAME	hydroformed alloy 6061	CASSETTE	Shimano HG200-9, 9 speed (11-36 teeth)
FORK	RST Blaze 29 TnL (100 mm travel)	BRAKES	Tektro Auriga (7"), hydraulic
CHAINWHEEL	Shimano MT210-2 (36-22 teeth)	TIRES	Vittoria Barzo 29" × 2.10"
REAR DERAILLEUR / SHIFTERS	Shimano Alivio, 18 speed	WEIGHT	15,2 kg / 19"

SHIMANO
2 x 9



PEGAS 29 [B]

FRAME	hydroformed alloy 6061	CASSETTE	Shimano HG200-9, 9 speed (11-36 teeth)
FORK	RST Blaze 29 TnL (100 mm travel)	BRAKES	Tektro Auriga (7"), hydraulic
CHAINWHEEL	Shimano MT210-2 (36-22 teeth)	TIRES	Vittoria Barzo 29" × 2.10"
REAR DERAILLEUR / SHIFTERS	Shimano Alivio, 18 speed	WEIGHT	15,2 kg / 19"



SOLUTION 29 [A]

FRAME	alloy 6061	CASSETTE	Shimano HG200-9, 9 speed (11-36 teeth)
FORK	RST Blaze 29 ML (100 mm travel)	BRAKES	Tektro Auriga (7"), hydraulic
CHAINWHEEL	Shimano MT101 (40-30-22 teeth)	TIRES	Vittoria Barzo 29" x 2.10"
REAR DERAILLEUR / SHIFTERS	Shimano Alivio, 27 speed	WEIGHT	14,9 kg / 19"



SOLUTION 29 [B]

FRAME	alloy 6061	CASSETTE	Shimano HG200-9, 9 speed (11-36 teeth)
FORK	RST Blaze 29 ML (100 mm travel)	BRAKES	Tektro Auriga (7"), hydraulic
CHAINWHEEL	Shimano MT101 (40-30-22 teeth)	TIRES	Vittoria Barzo 29" x 2.10"
REAR DERAILLEUR / SHIFTERS	Shimano Alivio, 27 speed	WEIGHT	14,9 kg / 19"



IMPULSE 29 [A]

FRAME	alloy 6061	CASSETTE	Shimano HG200-8, 8 speed (12-32 teeth)
FORK	RST Blaze 29 ML (100 mm travel)	BRAKES	Tektro (6"), hydraulic
CHAINWHEEL	Prowheel (42-34-24 teeth)	TIRES	Vittoria Barzo 29" x 2.10"
REAR DERAILLEUR / SHIFTERS	Shimano Altus, 24 speed	WEIGHT	14,9 kg / 19"



IMPULSE 29 [B]

FRAME	alloy 6061	CASSETTE	Shimano HG200-8, 8 speed (12-32 teeth)
FORK	RST Blaze 29 ML (100 mm travel)	BRAKES	Tektro (6"), hydraulic
CHAINWHEEL	Prowheel (42-34-24 teeth)	TIRES	Vittoria Barzo 29" x 2.10"
REAR DERAILLEUR / SHIFTERS	Shimano Altus, 24 speed	WEIGHT	14,9 kg / 19"



RIVAL 29 [A]

FRAME	alloy 6061
FORK	RST Gila 29 ML (100 mm travel)
CHAINWHEEL	Prowheel (42-34-24 teeth)
REAR DERAILLEUR / SHIFTERS	Shimano TX800, 24 speed

CASSETTE	Shimano HG200-8, 8 speed (12-32 teeth)
BRAKES	Tektro (6"), mechanical
TIRES	Author Speed Master 29" x 2.00"
WEIGHT	14,9 kg / 19"



RIVAL 29 [B]

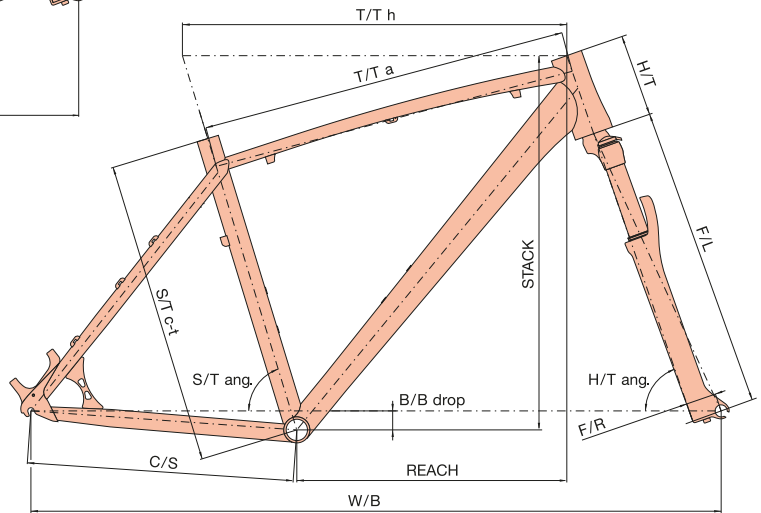
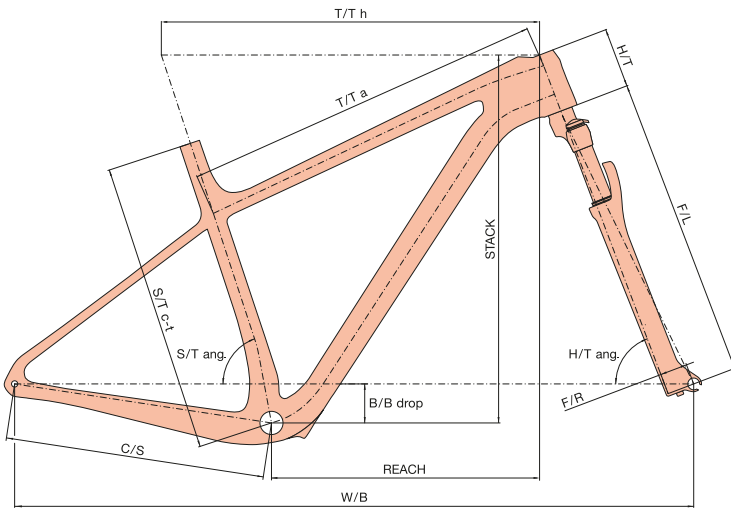
FRAME	alloy 6061
FORK	RST Gila 29 ML (100 mm travel)
CHAINWHEEL	Prowheel (42-34-24 teeth)
REAR DERAILLEUR / SHIFTERS	Shimano TX800, 24 speed

CASSETTE	Shimano HG200-8, 8 speed (12-32 teeth)
BRAKES	Tektro (6"), mechanical
TIRES	Author Speed Master 29" x 2.00"
WEIGHT	14,9 kg / 19"

MODEL	MAGNUM 29	SECTOR 29	MASTER 29	MODUS 29	EGOIST 29
SIZE	15", 17", 19", 21"	15", 17", 19", 21"	15", 17", 19", 21"	15", 17", 19", 21"	17", 19", 21"
FRAME	AUTHOR B carbon monocoque 29"	AUTHOR B carbon monocoque 29"	AUTHOR B carbon monocoque 29"	AUTHOR B carbon monocoque 29"	triple butted hydroformed alloy 6061 29"
FRONT FORK	FOX 32 Float SC 29 100 Remote air, remote lock out 15 mm thru axle 1.5" tapered steerer (100 mm)	FOX 32 Float SC 29 100 Remote air, remote lock out 15 mm thru axle 1.5" tapered steerer (100 mm)	ROCK SHOX Recon Gold RL Remote 29 15 Solo Air air, remote lock out 15 x 110 mm thru axle 1.5" tapered steerer (100 mm)	RST F1RST 29 15 TRL air, remote lock out 15 mm thru axle 1.5" tapered steerer (100 mm)	FOX 32 Float SC 29 100 Remote air, remote lock out 15 mm thru axle 1.5" tapered steerer (100 mm)
HEAD PARTS	AUTHOR Integrated 1.5" tapered	AUTHOR Integrated 1.5" tapered	AUTHOR Integrated 1.5" tapered	AUTHOR Integrated 1.5" tapered	FSA Orbit 1.5B 1.5" tapered
CHAINWHEEL	SHIMANO XT 36 teeth 170 / 175 mm cranks	SHIMANO XT 34 teeth 170 / 175 mm cranks	SHIMANO SLX 34 teeth 170 / 175 mm cranks	SHIMANO M5100-B2 boost 36-26 teeth 170 / 175 mm cranks	SHIMANO XT 34 teeth 170 / 175 mm cranks
B.B. PARTS	SHIMANO BB-MT800 BB unit	SHIMANO BB-MT800 BB unit	SHIMANO BB-MT800 BB unit	SHIMANO BB-52 BB unit	SHIMANO BB-MT800 BB unit
FRONT DERAILLEUR	-	-	-	SHIMANO Deore	-
REAR DERAILLEUR	SHIMANO XT	SHIMANO XT	SHIMANO XT	SHIMANO Deore	SHIMANO XT
SHIFTERS	SHIMANO XT (12)	SHIMANO XT (12)	SHIMANO SLX (12)	SHIMANO Deore (22)	SHIMANO XT (12)
FREEWHEEL	SHIMANO CS-M7100 10-51 (12)	SHIMANO CS-M7100 10-51 (12)	SHIMANO CS-M7100 10-51 (12)	SHIMANO CS-M5100-11 11-42 (11)	SHIMANO CS-M7100 10-51 (12)
CHAIN	SHIMANO M7100	SHIMANO M7100	SHIMANO M7100	KMC X11	SHIMANO M7100
HUBS	AUTHOR Flyer Carbon 29 TR wheel set 28 holes 15 x 110 mm thru front axle 12 x 148 mm thru rear axle	MAVIC Crossmax 29 wheel set 24 holes 15 x 110 mm thru front axle 12 x 148 mm thru rear axle	AUTHOR / SHIMANO SLX 15 x 110 mm thru front axle 12 x 148 mm thru rear axle 32 holes	AUTHOR Helium 15 / Krypton 12 15 x 100 mm thru front axle 32 holes	MAVIC Crossmax 29 wheel set 24 holes 15 x 110 mm thru front axle 12 x 148 mm thru rear axle
BRAKES	SHIMANO XT disc hydraulic (6" rotors)	SHIMANO SLX disc hydraulic (6" rotors)	SHIMANO Deore disc hydraulic (7" rotors)	TEKTRO Gemini disc hydraulic (7" rotors)	SHIMANO SLX disc hydraulic (6" rotors)
BRAKE LEVERS	SHIMANO XT	SHIMANO SLX	SHIMANO Deore	TEKTRO Gemini	SHIMANO SLX
RIMS	AUTHOR Flyer Carbon 29 TR wheel set 28 holes	MAVIC Crossmax 29 wheel set 24 holes	AUTHOR Krypton TRC 29 32 holes	AUTHOR Xenon TRC 29 32 holes	MAVIC Crossmax 29 wheel set 24 holes
SPOKES	SAPIM	MAVIC	black stainless steel 2.0 mm	black stainless steel 2.0 mm	MAVIC
TIRES	VITTORIA Barzo TNT aramid 29" x 2.10" tubeless ready	VITTORIA Barzo foldable 29" x 2.25"	VITTORIA Barzo foldable 29" x 2.25"	VITTORIA Barzo foldable 29" x 2.25"	VITTORIA Barzo foldable 29" x 2.25"
PEDALS	-	-	-	-	-
HANDLEBAR	RITCHEY MTN WCS Carbon 2x9 9° 710 / 740 mm	RITCHEY MTN WCS 2x9 9° 700 / 720 mm	RITCHEY MTN Comp 2x9 9° 700 / 720 mm	AUTHOR Flatbar 9° 700 / 720 mm	RITCHEY MTN WCS 2x9 9° 700 / 720 mm
GRIPS	AUTHOR Pro Lock	AUTHOR Pro Lock	AUTHOR Pro Lock	AUTHOR Pro Lock	AUTHOR Pro Lock
STEM	RITCHEY WCS C220	RITCHEY WCS C220	RITCHEY Comp 4-Axis	AUTHOR alloy	RITCHEY WCS C220
SEAT POST	RITCHEY WCS carbon (31.6)	RITCHEY Comp Carbon (31.6)	RITCHEY Comp (31.6)	AUTHOR alloy (31.6)	RITCHEY Comp Carbon (31.6)
SEAT CLAMP	AUTHOR (34.9)	AUTHOR (34.9)	AUTHOR (34.9)	AUTHOR (34.9)	AUTHOR (34.9)
SADDLE	PROLOGO X Zero II	PROLOGO Nago Evo X10	PROLOGO Nago Evo X10	AUTHOR Navigator	PROLOGO Nago Evo X10
SPEED	12	12	12	22	12
WEIGHT	9,8 kg / 19"	10,3 kg / 19"	11,2 kg / 19"	12 kg / 19"	10,9 kg / 19"

MODEL	VISION 29	ORION 29	CONTEXT 29	INSTINCT 29	TRACTION 29
SIZE	17", 19", 21"	17", 19", 21"	17", 19", 21"	17", 19", 21"	17", 19", 21"
FRAME	triple butted hydroformed alloy 6061 29"	triple butted hydroformed alloy 6061 29"	triple butted hydroformed alloy 6061 29"	double butted hydroformed alloy 6061 29"	double butted hydroformed alloy 6061 29"
FRONT FORK	ROCK SHOX Recon Gold RL Remote 29 15 Solo Air air, remote lock out 15 x 110 mm thru axle 1.5" tapered steerer (100 mm)	RST F1RST 29 15 TRL air, remote lock out (100 mm)	RST F1RST 29 15 TRL air, remote lock out (100 mm)	RST F1RST 29 15 TRL air, remote lock out (100 mm)	RST Aerial 29 15 TRL air, remote lock out (100 mm)
HEAD PARTS	FSA Orbit 1.5B 1.5" tapered	FSA Integrated 1.5" tapered	FSA Integrated 1.5" tapered	FSA Integrated 1.5" tapered	AUTHOR Integrated 1.5" tapered
CHAINWHEEL	SHIMANO SLX 34 teeth 170 / 175 mm cranks	SHIMANO SLX 34 teeth 170 / 175 mm cranks	SHIMANO M510-1 34 teeth 170 / 175 mm cranks	SHIMANO M5100-2 36-26 teeth 170 / 175 mm cranks	SHIMANO M4100-2 36-26 teeth 170 / 175 mm cranks
B.B. PARTS	SHIMANO BB-MT800 BB unit	SHIMANO BB-MT800 BB unit	SHIMANO BB-52 BB unit	SHIMANO BB-52 BB unit	SHIMANO BB-52 BB unit
FRONT DERAILLEUR	-	-	-	SHIMANO Deore (34.9)	SHIMANO Deore (34.9)
REAR DERAILLEUR	SHIMANO XT	SHIMANO XT	SHIMANO Deore	SHIMANO Deore	SHIMANO Deore
SHIFTERS	SHIMANO SLX (12)	SHIMANO SLX (12)	SHIMANO Deore (12)	SHIMANO Deore (22)	SHIMANO Deore (20)
FREEWHEEL	SHIMANO CS-M7100 10-51 (12)	SHIMANO CS-M7100 10-51 (12)	SHIMANO CS-M6100 10-51 (12)	SHIMANO CS-M5100-11 11-42 (11)	SHIMANO CS-M4100-10 11-42 (10)
CHAIN	SHIMANO M7100	KMC X12	KMC X12	KMC X11	KMC X10
HUBS	AUTHOR / SHIMANO SLX 15 x 110 mm thru front axle 12 x 148 mm thru rear axle 32 holes	AUTHOR Helium 15 / SHIMANO SLX 15 x 100 mm thru front axle 12 x 148 mm thru rear axle 32 holes	AUTHOR Helium 15 / SHIMANO 15 x 100 mm thru front axle 12 x 148 mm thru rear axle 32 holes	AUTHOR Helium 15 / Xenon 15 x 100mm thru axle 32 holes	AUTHOR Radon 32 holes
BRAKES	SHIMANO Deore disc hydraulic (7" rotors)	SHIMANO BR MT400 disc hydraulic (7" rotors)	SHIMANO BR MT400 disc hydraulic (7" rotors)	SHIMANO BR MT400 disc hydraulic (7" rotors)	TEKTRO Gemini disc hydraulic (7" rotors)
BRAKE LEVERS	SHIMANO Deore	SHIMANO BL MT400	SHIMANO BL MT400	SHIMANO BL MT400	TEKTRO Gemini
RIMS	AUTHOR Krypton TRC 29 32 holes	AUTHOR Xenon Pro 29 32 holes	AUTHOR Xenon TRC 29 32 holes	AUTHOR Xenon TRC 29 32 holes	AUTHOR Xenon TRC 29 32 holes
SPOKES	black stainless steel 2.0 mm	black stainless steel 2.0 mm	black stainless steel 2.0 mm	black stainless steel 2.0 mm	black stainless steel 2.0 mm
TIRES	VITTORIA Barzo foldable 29" x 2.25"	VITTORIA Barzo foldable 29" x 2.25"	VITTORIA Barzo foldable 29" x 2.25"	VITTORIA Barzo foldable 29" x 2.25"	VITTORIA Barzo foldable 29" x 2.25"
PEDALS	-	-	-	-	AUTHOR alloy
HANDLEBAR	RITCHEY MTN Comp 2x9 9° 700 / 720 mm	AUTHOR Flatbar 9° 700 / 720 mm	AUTHOR Flatbar 9° 700 / 720 mm	AUTHOR Flatbar 9° 700 / 720 mm	AUTHOR Flatbar 9° 700 / 720 mm
GRIPS	AUTHOR Pro Lock	AUTHOR Pro Lock	AUTHOR Pro Lock	AUTHOR Pro Lock	AUTHOR Pro Lock
STEM	RITCHEY Comp 4-Axis	AUTHOR alloy	AUTHOR alloy	AUTHOR alloy	AUTHOR alloy
SEAT POST	RITCHEY Comp (31.6)	AUTHOR alloy (31.6)	AUTHOR alloy (31.6)	AUTHOR alloy (31.6)	AUTHOR alloy (31.6)
SEAT CLAMP	AUTHOR (34.9)	AUTHOR (34.9)	AUTHOR (34.9)	AUTHOR (34.9)	AUTHOR (34.9)
SADDLE	PROLOGO Nago Evo X10	AUTHOR Navigator	AUTHOR Navigator	AUTHOR Navigator	AUTHOR Navigator
SPEED	12	12	12	22	20
WEIGHT	11,8 kg / 19"	11,9 kg / 19"	12,3 kg / 19"	12,5 kg / 19"	13,3 kg / 19"

MODEL	SPIRIT 29	PEGAS 29	SOLUTION 29	IMPULSE 29	RIVAL 29
SIZE	17", 19", 21"	17", 19", 21"	17", 19", 21"	17", 19", 21"	17", 19", 21"
FRAME	hydroformed alloy 6061 29"	hydroformed alloy 6061 29"	alloy 6061 29"	alloy 6061 29"	alloy 6061 29"
FRONT FORK	RST Aerial 29 15 TRL air, remote lock out (100 mm)	RST Blaze 29 TrL oil, lock out (100 mm)	RST Blaze 29 ML oil, lock out (100 mm)	RST Blaze 29 ML oil, lock out (100 mm)	RST Gila 29 ML oil, lock out (100 mm)
HEAD PARTS	AUTHOR Integrated 1.5" tapered	AUTHOR Integrated 1.5" tapered	AUTHOR Integrated 1-1/8"	PRESTINE Integrated 1-1/8"	PRESTINE Integrated 1-1/8"
CHAINWHEEL	SHIMANO MT210-2 36-22 teeth 170 / 175 mm cranks	SHIMANO MT101-2 36-22 teeth 170 / 175 mm cranks	SHIMANO MT101 40-30-22 teeth 170 / 175 mm cranks	PROWHEEL 42-34-24 teeth 170 / 175 mm cranks	PROWHEEL 42-34-24 teeth 170 / 175 mm cranks
B.B. PARTS	SHIMANO BB-MT500 BB unit	SHIMANO BB-UN101 cartridge	SHIMANO BB-UN101 cartridge	VP COMP cartridge	VP COMP cartridge
FRONT DERAILLEUR	SHIMANO Alivio (34.9)	SHIMANO Alivio (34.9)	SHIMANO Altus (34.9)	SHIMANO TY700 (34.9)	SHIMANO TY700 (34.9)
REAR DERAILLEUR	SHIMANO Alivio	SHIMANO Alivio	SHIMANO Alivio	SHIMANO Altus	SHIMANO TX800
SHIFTERS	SHIMANO Alivio (18)	SHIMANO Alivio (18)	SHIMANO Alivio (27)	SHIMANO Altus (24)	SHIMANO TX800 (24)
FREEWHEEL	SHIMANO HG400-9 11-36 (9)	SHIMANO HG200-9 11-36 (9)	SHIMANO HG200-9 11-36 (9)	SHIMANO HG200-8 12-32 (8)	SHIMANO HG200-8 12-32 (8)
CHAIN	KMC Z9	KMC Z9	KMC Z9	KMC Z8.3	KMC Z8.3
HUBS	QUANDO Disc 32 holes	QUANDO Disc 32 holes	QUANDO Disc 32 holes	QUANDO Disc 32 holes	QUANDO Disc 32 holes
BRAKES	TEKTRO Auriga disc hydraulic (7" rotors)	TEKTRO Auriga disc hydraulic (7" rotors)	TEKTRO Auriga disc hydraulic (7" rotors)	TEKTRO disc hydraulic (6" rotors)	TEKTRO disc mechanical (6" rotors)
BRAKE LEVERS	TEKTRO Auriga	TEKTRO Auriga	TEKTRO Auriga	TEKTRO	SHIMANO TX800
RIMS	AUTHOR Xenon TRC 29 32 holes	AUTHOR Xenon TRC 29 32 holes	AUTHOR Xenon 29 32 holes	AUTHOR Xenon 29 32 holes	AUTHOR Xenon 29 32 holes
SPOKES	black steel	black steel	black steel	black steel	black steel
TIRES	VITTORIA Barzo 29" x 2.10"	VITTORIA Barzo 29" x 2.10"	VITTORIA Barzo 29" x 2.10"	VITTORIA Barzo 29" x 2.10"	AUTHOR Speed Master 29" x 2.00"
PEDALS	AUTHOR alloy	AUTHOR alloy	resin	resin	resin
HANDLEBAR	AUTHOR Flatbar 9° 700 / 720 mm	AUTHOR Flatbar 9° 700 / 720 mm	AUTHOR Flatbar 10° 700 mm	AUTHOR Flatbar 10° 700 mm	AUTHOR Flatbar 10° 700 mm
GRIPS	AUTHOR Pro Lock	AUTHOR Pro Lock	AUTHOR kratton rubber	AUTHOR kratton rubber	AUTHOR kratton rubber
STEM	AUTHOR alloy	AUTHOR alloy	AUTHOR alloy	AUTHOR alloy	AUTHOR alloy
SEAT POST	AUTHOR alloy (31.6)	AUTHOR alloy (31.6)	AUTHOR alloy (31.6)	AUTHOR alloy (31.6)	AUTHOR alloy (31.6)
SEAT CLAMP	AUTHOR (34.9)	AUTHOR (34.9)	AUTHOR (34.9)	AUTHOR (34.9)	AUTHOR (34.9)
SADDLE	AUTHOR Navigator	AUTHOR Navigator	AUTHOR Courier	AUTHOR Courier	AUTHOR Courier
SPEED	18	18	27	24	24
WEIGHT	14,2 kg / 19"	15,2 kg / 19"	14,9 kg / 19"	14,9 kg / 19"	14,9 kg / 19"



	S/T c-t	T/T h	T/T a	H/T	C/S	W/B	S/T ang.	H/T ang.	F/L	B/B drop	B/B width	F/R	REACH	STACK
MAGNUM 29* T 1.5" DI / SECTOR 29* T 1.5" DI / MASTER 29* T 1.5" DI / MODUS 29* T 1.5" DI														
17"	435	611	589	95	435	1118	73.0	69.0	506	65	92	51	425	609
19"	485	638	607	100	435	1145	73.0	69.0	506	65	92	51	450	613
21"	535	668	641	120	435	1177	73.0	69.0	506	65	92	51	475	632
EGOIST 29* T 1.5" PF / VISION 29* T 1.5" PF / ORION 29* T 1.5" PF / CONTEXT 29* T 1.5" PF / INSTINCT 29* T 1.5" PF / TRACTION 29* T 1.5" PF														
17"	432	605	584	110	443	1113	73.0	70.0	510	61	73	51	413	629
19"	483	625	600	120	443	1133	73.0	70.0	510	61	73	51	430	638
21"	535	645	619	130	443	1154	73.0	70.0	510	61	73	51	447	648
SPIRIT 29* T 1.5" PF / PEGAS 29* T 1.5" PF														
17"	432	600	580	115	450	1125	73.0	69.0	510	63	73	51	408	628
19"	483	620	596	130	450	1146	73.0	69.0	510	63	73	51	424	642
21"	535	640	614	140	450	1167	73.0	69.0	510	63	73	51	441	652
SOLUTION 29* / IMPULSE 29* / RIVAL 29*														
17"	432	600	581	115	450	1125	73.0	69.0	510	63	68	51	407	632
19"	483	620	596	130	450	1147	73.0	69.0	510	63	68	51	423	646
21"	535	640	614	140	450	1167	73.0	69.0	510	63	68	51	440	655

* t 1.5" DI – integrated head set 1.5" tapered DI
 * t 1.5" PF – integrated head set 1.5" tapered PF
 * – 1 1/8" integrated head set PF 50 mm

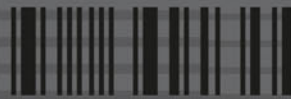
DI – Drop In
 PF – Press Fit

GEOMETRY TABLE LEGEND:

- S/T c-t – seat tube (center-top)
- T/T h – top tube horizontal
- T/T a – top tube actual
- H/T – head tube
- C/S – chain stay
- W/B – wheel base
- S/T ang. – seat tube angle
- H/T ang. – head tube angle
- F/L – fork length
- B/B drop – bottom bracket drop
- B/B width – bottom bracket width
- F/R – fork rake
- REACH – the horizontal distance from the center of the bottom bracket / crank to the top middle point of the head tube
- STACK – the vertical distance from the center of the frame's bottom bracket / crank to the top middle point of the head tube

Recommended frame size to the body height for each model you can find on our web site www.author.eu





MTB A5L 29



CONTEXT 29 ASL



INSTINCT 29 ASL



TRACTION 29 ASL



SPIRIT 29 ASL



SOLUTION 29 ASL (A)



SOLUTION 29 ASL (B)



IMPULSE 29 ASL (A)



IMPULSE 29 ASL (B)

SHIMANO
1x12

Boost 12x148

15x100



CONTEXT 29 ASL

FRAME	triple butted hydroformed alloy 6061	CASSETTE	Shimano M6100, 12 speed (10-51 teeth)
FORK	RST F1RST 29 15 TRL (100 mm travel)	BRAKES	Shimano BRMT400 (7"), hydraulic
CHAINWHEEL	Shimano M510-1 (32 teeth), BB unit	TIRES	Vittoria Barzo 29" x 2.25", foldable
REAR DERAILLEUR / SHIFTERS	Shimano Deore, 12 speed	WEIGHT	12,2 kg / 16"

SHIMANO
1x11

15x100



INSTINCT 29 ASL

FRAME	double butted hydroformed alloy 6061	CASSETTE	Shimano M5100-11, 11 speed (11-51 teeth)
FORK	RST F1RST 29 15 TRL (100 mm travel)	BRAKES	Shimano BRMT400 (7"), hydraulic
CHAINWHEEL	Shimano M5100-1 (32 teeth), BB unit	TIRES	Vittoria Barzo 29" x 2.25", foldable
REAR DERAILLEUR / SHIFTERS	Shimano Deore, 11 speed	WEIGHT	12,3 kg / 16"

SHIMANO
2 x 10

TRACTION 29 ASL

FRAME	double butted hydroformed alloy 6061 (ASL)
FORK	RST Aerial 29 TRL (100 mm travel)
CHAINWHEEL	Shimano M4100-2 (36-26 teeth), BB unit
REAR DERAILLEUR / SHIFTERS	Shimano Deore, 20 speed

CASSETTE	Shimano M4100-10, 10 speed (11-42 teeth)
BRAKES	Tektro Gemini WS (7"), hydraulic
TIRES	Vittoria Barzo 29" x 2.25", foldable
WEIGHT	13,2 kg / 16"

SHIMANO
2 x 9

SPIRIT 29 ASL

FRAME	hydroformed alloy 6061 (ASL)
FORK	RST Aerial 29 TRL (100 mm travel)
CHAINWHEEL	Shimano MT210-2 (36-22 teeth), BB unit
REAR DERAILLEUR / SHIFTERS	Shimano Alivio, 18 speed

CASSETTE	Shimano HG400-9, 9 speed (11-36 teeth)
BRAKES	Tektro Auriga WS (7"), hydraulic
TIRES	Author Speed Master 29" x 2.00"
WEIGHT	13,9 kg / 16"



SOLUTION 29 ASL [A]

FRAME	alloy 6061 (ASL)	CASSETTE	Shimano HG200-9, 9 speed (11-36 teeth)
FORK	RST Blaze 29 ML (100 mm travel)	BRAKES	Tektro Auriga WS (7"), hydraulic
CHAINWHEEL	Shimano MT101 (40-30-22 teeth)	TIRES	Author Speed Master 29" x 2.00"
REAR DERAILLEUR / SHIFTERS	Shimano Alivio, 27 speed	WEIGHT	14,8 kg / 16"



SOLUTION 29 ASL [B]

FRAME	alloy 6061 (ASL)	CASSETTE	Shimano HG200-9, 9 speed (11-36 teeth)
FORK	RST Blaze 29 ML (100 mm travel)	BRAKES	Tektro Auriga WS (7"), hydraulic
CHAINWHEEL	Shimano MT101 (40-30-22 teeth)	TIRES	Author Speed Master 29" x 2.00"
REAR DERAILLEUR / SHIFTERS	Shimano Alivio, 27 speed	WEIGHT	14,8 kg / 16"



IMPULSE 29 ASL [A]

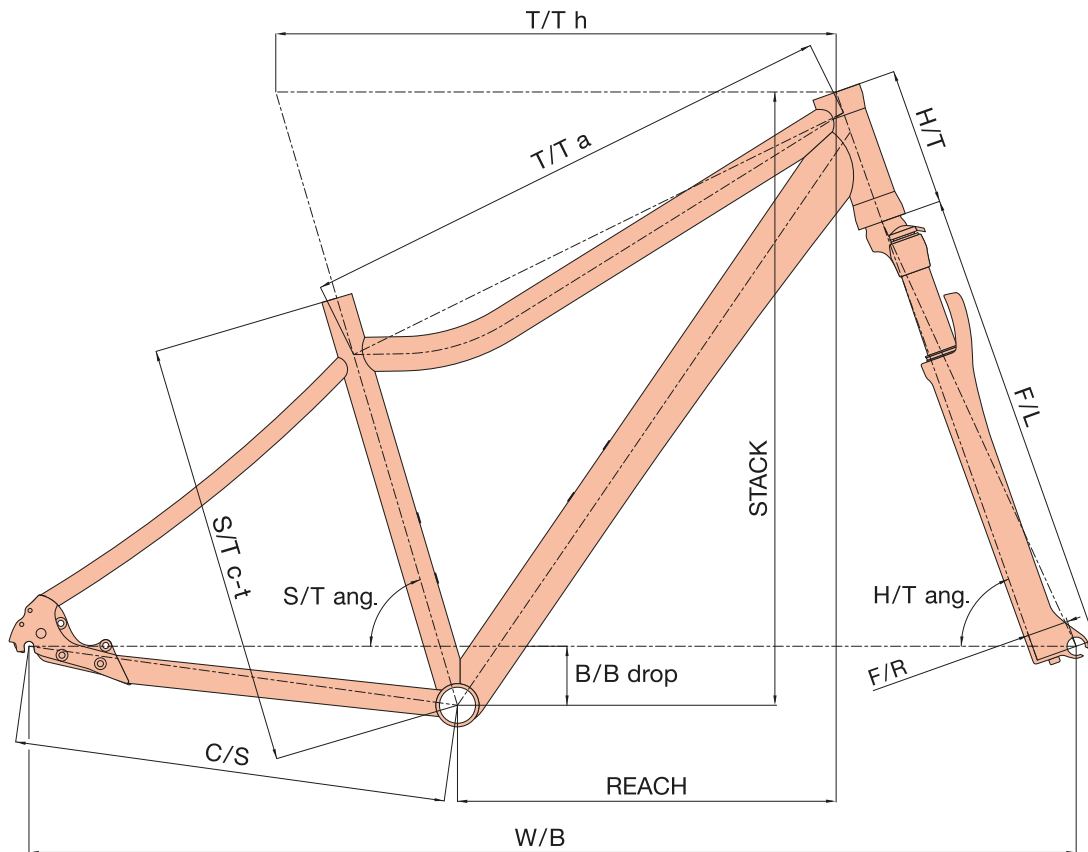
FRAME	alloy 6061 (ASL)	CASSETTE	Shimano HG200-8, 8 speed (12-32 teeth)
FORK	RST Blaze 29 ML (100 mm travel)	BRAKES	Tektro WS (6"), hydraulic
CHAINWHEEL	Prowheel (42-34-24 teeth)	TIRES	Author Speed Master 29" x 2.00"
REAR DERAILLEUR / SHIFTERS	Shimano Altus, 24 speed	WEIGHT	14,6 kg / 16"



IMPULSE 29 ASL [B]

FRAME	alloy 6061 (ASL)	CASSETTE	Shimano HG200-8, 8 speed (12-32 teeth)
FORK	RST Blaze 29 ML (100 mm travel)	BRAKES	Tektro WS (6"), hydraulic
CHAINWHEEL	Prowheel (42-34-24 teeth)	TIRES	Author Speed Master 29" x 2.00"
REAR DERAILLEUR / SHIFTERS	Shimano Altus, 24 speed	WEIGHT	14,6 kg / 16"

MODEL	CONTEXT 29 ASL	INSTINCT 29 ASL	TRACTION 29 ASL	SPIRIT 29 ASL	SOLUTION 29 ASL	IMPULSE 29 ASL
SIZE	16", 18"	16", 18"	16", 18"	16", 18"	16", 18"	16", 18"
FRAME	triple butted hydroformed alloy 6061 29" (ASL)	double butted hydroformed alloy 6061 29" (ASL)	double butted hydroformed alloy 6061 29" (ASL)	hydroformed alloy 6061 29" (ASL)	alloy 6061 29" (ASL)	alloy 6061 29" (ASL)
FRONT FORK	RST F1RST 29 15 TRL air, remote lock out (100 mm)	RST F1RST 29 15 TRL air, remote lock out (100 mm)	RST Aerial 29 15 TRL air, remote lock out (100 mm)	RST Aerial 29 15 TRL air, remote lock out (100 mm)	RST Blaze 29 ML oil, lock out (100 mm)	RST Blaze 29 ML oil, lock out (100 mm)
HEAD PARTS	FSA Integrated 1.5" tapered	FSA Integrated 1.5" tapered	AUTHOR Integrated 1.5" tapered	AUTHOR Integrated 1.5" tapered	PRESTINE Integrated 1-1/8"	PRESTINE Integrated 1-1/8"
CHAINWHEEL	SHIMANO M510-1 32 teeth 170 / 175 mm cranks	SHIMANO M5100-1 32 teeth 170 / 175 mm cranks	SHIMANO M4100-2 36-26 teeth 170 / 175 mm cranks	SHIMANO MT210-2 36-22 teeth 170 / 175 mm cranks	SHIMANO MT101 40-30-22 teeth 170 / 175 mm cranks	PROWHEEL 40-30-22 teeth 170 / 175 mm cranks
B.B. PARTS	SHIMANO BB-52 BB unit	SHIMANO BB-52 BB unit	SHIMANO BB-52 BB unit	SHIMANO BB-MT500 BB unit	SHIMANO BB-UN101 cartridge	VP COMP cartridge
FRONT DERAILLEUR	-	-	SHIMANO Deore (34.9)	SHIMANO Alivio (34.9)	SHIMANO Altus (34.9)	SHIMANO TY700 (34.9)
REAR DERAILLEUR	SHIMANO Deore	SHIMANO Deore	SHIMANO Deore	SHIMANO Alivio	SHIMANO Alivio	SHIMANO Altus
SHIFTERS	SHIMANO Deore (12)	SHIMANO Deore (11)	SHIMANO Deore (20)	SHIMANO Alivio (18)	SHIMANO Alivio (27)	SHIMANO Altus (24)
FREEWHEEL	SHIMANO CS-M6100 10-51 (12)	SHIMANO CS-M5100-11 11-51 (11)	SHIMANO CS-M4100-10 11-42 (10)	SHIMANO HG400-9 11-36 (9)	SHIMANO HG200-9 11-36 (9)	SHIMANO HG200-8 12-32 (8)
CHAIN	KMC X12	KMC X11	KMC X10	KMC Z9	KMC Z9	KMC Z8.3
HUBS	AUTHOR Helium 15 / SHIMANO 15 x 100 mm thru front axle 12 x 148 mm thru rear axle 32 holes	AUTHOR Helium 15 / Xenon 15 x 100 mm thru axle 32 holes	AUTHOR Radon 32 holes	QUANDO Disc 32 holes	QUANDO Disc 32 holes	QUANDO Disc 32 holes
BRAKES	SHIMANO BR MT400 disc hydraulic (7" rotors)	SHIMANO BRMT400 disc hydraulic (7" rotors)	TEKTRO Gemini disc hydraulic (7" rotors)	TEKTRO Auriga disc hydraulic (7" rotors)	TEKTRO Auriga disc hydraulic (7" rotors)	TEKTRO disc hydraulic (6" rotors)
BRAKE LEVERS	SHIMANO BL MT400	SHIMANO BL MT400	TEKTRO Gemini WS	TEKTRO Auriga WS	TEKTRO Auriga WS	TEKTRO WS
RIMS	AUTHOR Xenon TRC 29 32 holes	AUTHOR Xenon TRC 29 32 holes	AUTHOR Xenon TRC 29 32 holes	AUTHOR Xenon TRC 29 32 holes	AUTHOR Xenon 29 32 holes	AUTHOR Xenon 29 32 holes
SPOKES	black stainless steel 2.0 mm	black stainless steel 2.0 mm	black stainless steel 2.0 mm	black steel	black steel	black steel
TIRES	VITTORIA Barzo foldable 29" x 2.25"	VITTORIA Barzo foldable 29" x 2.25"	VITTORIA Barzo aramid 29" x 2.25"	AUTHOR Speed Master 29" x 2.00"	AUTHOR Speed Master 29" x 2.00"	AUTHOR Speed Master 29" x 2.00"
PEDALS	-	-	AUTHOR alloy	AUTHOR alloy	resin	resin
HANDLEBAR	AUTHOR Flatbar 9° 680 / 700 mm	AUTHOR Flatbar 9° 680 / 700 mm	AUTHOR Flatbar 9° 680 / 700 mm	AUTHOR Flatbar 9° 680 / 700 mm	AUTHOR 8° 660 / 680 mm	AUTHOR 8° 660 / 680 mm
GRIPS	AUTHOR GripLock foam	AUTHOR GripLock foam	AUTHOR GripLock foam	AUTHOR GripLock foam	AUTHOR high density foam	AUTHOR high density foam
STEM	AUTHOR alloy	AUTHOR alloy	AUTHOR alloy	AUTHOR alloy	AUTHOR alloy	AUTHOR alloy
SEAT POST	AUTHOR alloy (31.6)	AUTHOR alloy (31.6)	AUTHOR alloy (31.6)	AUTHOR alloy (31.6)	AUTHOR alloy (31.6)	AUTHOR alloy (31.6)
SEAT CLAMP	AUTHOR (34.9)	AUTHOR (34.9)	AUTHOR (34.9)	AUTHOR (34.9)	AUTHOR (34.9)	AUTHOR (34.9)
SADDLE	AUTHOR Fenix	AUTHOR Fenix	AUTHOR Fenix	AUTHOR Fenix	AUTHOR Fenix	AUTHOR Fenix
SPEED	12	11	20	18	27	24
WEIGHT	12,2 kg / 16"	12,3 kg / 16"	13,2 kg / 16"	13,9 kg / 16"	14,8 kg / 16"	14,6 kg / 16"



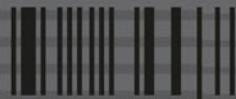
	S/T c-t	T/T h	T/T a	H/T	C/S	W/B	S/T ang.	H/T ang.	F/L	B/B drop	B/B width	F/R	REACH	STACK
CONTEXT 29 ASL* t 1.5" PF / INSTINCT 29 ASL* t 1.5" PF / TRACTION 29 ASL* t 1.5" PF / SPIRIT 29 ASL* t 1.5" PF														
16"	406	570	558	115	450	1091	73.0	69.5	510	60	73	51	378	629
18"	457	590	569	120	450	1111	73.0	69.5	510	60	73	51	396	633
SOLUTION 29 ASL* / IMPULSE 29 ASL*														
16"	406	570	559	115	450	1091	73.0	69.5	510	60	68	51	377	631
18"	457	590	569	120	450	1111	73.0	69.5	510	60	68	51	396	636

* t 1.5" PF - integrated head set 1.5" tapered PF PF - Press Fit
 * - 1 1/8" integrated head set PF 50 mm

GEOMETRY TABLE LEGEND:

- S/T c-t** - seat tube (center-top)
- T/T h** - top tube horizontal
- T/T a** - top tube actual
- H/T** - head tube
- C/S** - chain stay
- W/B** - wheel base
- S/T ang.** - seat tube angle
- H/T ang.** - head tube angle
- F/L** - fork length
- B/B drop** - bottom bracket drop
- B/B width** - bottom bracket width
- F/R** - fork rake
- REACH** - the horizontal distance from the center of the bottom bracket / crank to the top middle point of the head tube
- STACK** - the vertical distance from the center of the frame's bottom bracket / crank to the top middle point of the head tube

Recommended frame size to the body height for each model you can find on our web site www.author.eu



MTB 27.5



TRACTION



PEGAS [A]



PEGAS [B]



SOLUTION [A]



SOLUTION [B]



IMPULSE [A]



IMPULSE [B]



RIVAL [A]



RIVAL [B]

SHIMANO
2 x 10



TRACTION

FRAME	double butted hydroformed alloy 6061	CASSETTE	Shimano M4100-10, 10 speed (11-42 teeth)
FORK	RST Aerial 27.5 TRL (100 mm travel)	BRAKES	Tektro Gemini (6"), hydraulic
CHAINWHEEL	Shimano M4100-2 (36-26 teeth), BB unit	TIRES	Vittoria Barzo 27.5" x 2.25", foldable
REAR DERAILLEUR / SHIFTERS	Shimano Deore, 20 speed	WEIGHT	13,2 kg / 17"



SHIMANO
2 x 9

PEGAS [A]

FRAME	hydroformed alloy 6061	CASSETTE	Shimano HG200-9, 9 speed (11-36 teeth)
FORK	RST Blaze 27.5 TnL (100 mm travel)	BRAKES	Tektro Auriga (6"), hydraulic
CHAINWHEEL	Shimano MT101-2 (36-22 teeth)	TIRES	Author Rocket 27.5" x 2.10"
REAR DERAILLEUR / SHIFTERS	Shimano Alivio, 18 speed	WEIGHT	14,5 kg / 17"

SHIMANO
2 x 9

PEGAS [B]

FRAME	hydroformed alloy 6061	CASSETTE	Shimano HG200-9, 9 speed (11-36 teeth)
FORK	RST Blaze 27.5 TnL (100 mm travel)	BRAKES	Tektro Auriga (6"), hydraulic
CHAINWHEEL	Shimano MT101-2 (36-22 teeth)	TIRES	Author Rocket 27.5" x 2.10"
REAR DERAILLEUR / SHIFTERS	Shimano Alivio, 18 speed	WEIGHT	14,5 kg / 17"



SOLUTION [A]

FRAME	alloy 6061	CASSETTE	Shimano HG200-9, 9 speed (11-36 teeth)
FORK	RST Blaze 27.5 ML (100 mm travel)	BRAKES	Tektro Auriga (6"), hydraulic
CHAINWHEEL	Shimano MT101 (40-30-22 teeth)	TIRES	Author Rocket 27.5" x 2.10"
REAR DERAILLEUR / SHIFTERS	Shimano Alivio, 27 speed	WEIGHT	14,4 kg / 17"



SOLUTION [B]

FRAME	alloy 6061	CASSETTE	Shimano HG200-9, 9 speed (11-36 teeth)
FORK	RST Blaze 27.5 ML (100 mm travel)	BRAKES	Tektro Auriga (6"), hydraulic
CHAINWHEEL	Shimano MT101 (40-30-22 teeth)	TIRES	Author Rocket 27.5" x 2.10"
REAR DERAILLEUR / SHIFTERS	Shimano Alivio, 27 speed	WEIGHT	14,4 kg / 17"



IMPULSE [A]

FRAME	alloy 6061	CASSETTE	Shimano HG200-8, 8 speed (12-32 teeth)
FORK	RST Gila 27.5 ML (100 mm travel)	BRAKES	Tektro (6"), hydraulic
CHAINWHEEL	Prowheel (42-34-24 teeth)	TIRES	Author Rocket 27.5" x 2.10"
REAR DERAILLEUR / SHIFTERS	Shimano Altus, 24 speed	WEIGHT	14,2 kg / 17"



IMPULSE [B]

FRAME	alloy 6061	CASSETTE	Shimano HG200-8, 8 speed (12-32 teeth)
FORK	RST Gila 27.5 ML (100 mm travel)	BRAKES	Tektro (6"), hydraulic
CHAINWHEEL	Prowheel (42-34-24 teeth)	TIRES	Author Rocket 27.5" x 2.10"
REAR DERAILLEUR / SHIFTERS	Shimano Altus, 24 speed	WEIGHT	14,2 kg / 17"



RIVAL [A]

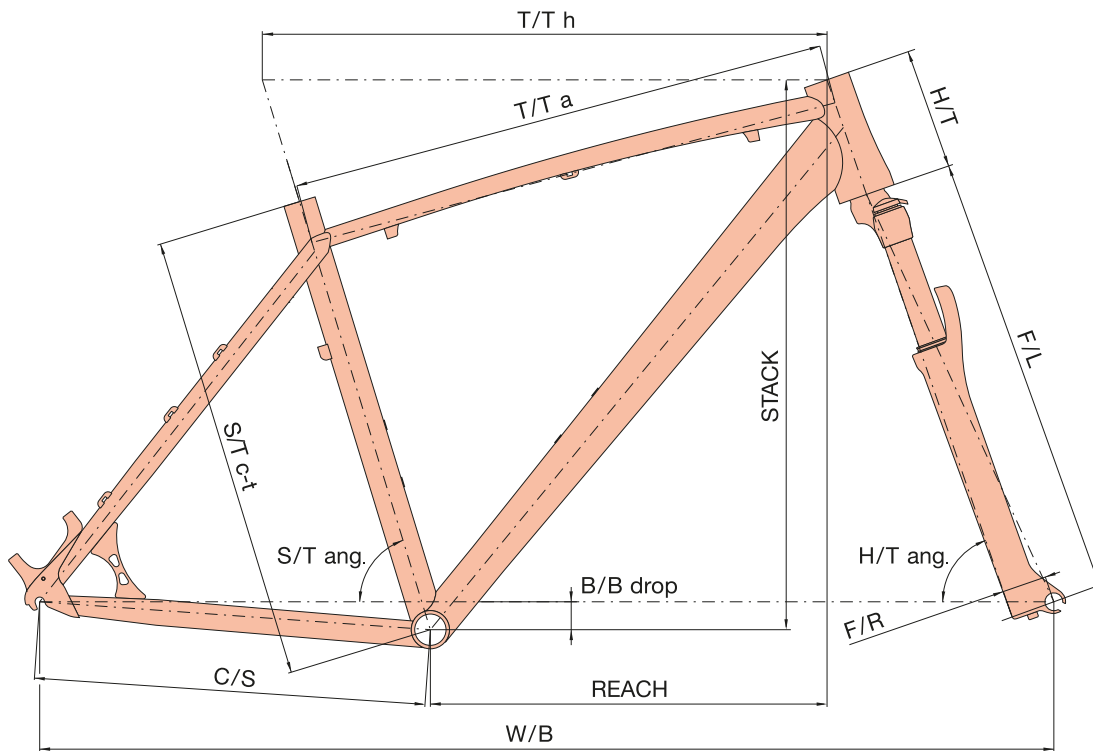
FRAME	alloy 6061	CASSETTE	Shimano CS-HG200-8, 8 speed (12-32 teeth)
FORK	RST Gila 27.5 ML (100 mm travel)	BRAKES	Tektro (6"), mechanical
CHAINWHEEL	Prowheel (42-34-24 teeth)	TIRES	Author Rocket 27.5" x 2.10"
REAR DERAILLEUR / SHIFTERS	Shimano TX800, 24 speed	WEIGHT	15 kg / 17"



RIVAL [B]

FRAME	alloy 6061	CASSETTE	Shimano CS-HG200-8, 8 speed (12-32 teeth)
FORK	RST Gila 27.5 ML (100 mm travel)	BRAKES	Tektro (6"), mechanical
CHAINWHEEL	Prowheel (42-34-24 teeth)	TIRES	Author Rocket 27.5" x 2.10"
REAR DERAILLEUR / SHIFTERS	Shimano TX800, 24 speed	WEIGHT	15 kg / 17"

MODEL	TRACTION	PEGAS	SOLUTION	IMPULSE	RIVAL
SIZE	15", 17", 19"	17", 19"	15", 17", 19"	17", 19"	15", 17", 19"
FRAME	double butted hydroformed alloy 6061 27.5"	hydroformed alloy 6061 27.5"	alloy 6061 27.5"	alloy 6061 27.5"	alloy 6061 27.5"
FRONT FORK	RST Aerial 27.5 15 TRL air, remote lock out (100 mm)	RST Blaze 27.5 Tnl oil, lock out (100 mm)	RST Blaze 27.5 ML oil, lock out (100 mm)	RST Gila 27.5 ML lock out (100 mm)	RST Gila 27.5 ML lock out (100 mm)
HEAD PARTS	AUTHOR Integrated 1.5" tapered	AUTHOR Integrated 1.5" tapered	PRESTINE Integrated 1-1/8"	PRESTINE Integrated 1-1/8"	PRESTINE Integrated 1-1/8"
CHAINWHEEL	SHIMANO M4100-2 36-26 teeth 170 / 175 mm cranks	SHIMANO MT101-2 36-22 teeth 170 / 175 mm cranks	SHIMANO MT101 40-30-22 teeth 170 / 175 mm cranks	PROWHEEL 42-34-24 teeth 170 / 175 mm cranks	PROWHEEL 42-34-24 teeth 170 / 175 mm cranks
B. B. PARTS	SHIMANO BB-52 BB unit	SHIMANO BB-UN101 cartridge	SHIMANO BB-UN101 cartridge	VP COMP cartridge	VP COMP cartridge
FRONT DERAILLEUR	SHIMANO Deore (34.9)	SHIMANO Alivio (34.9)	SHIMANO Altus (34.9)	SHIMANO TY700 (34.9)	SHIMANO TY700 (34.9)
REAR DERAILLEUR	SHIMANO Deore	SHIMANO Alivio	SHIMANO Alivio	SHIMANO Altus	SHIMANO TX800
SHIFTERS	SHIMANO Deore (20)	SHIMANO Alivio (18)	SHIMANO Alivio (27)	SHIMANO Altus (24)	SHIMANO TX800 (24)
FREEWHEEL	SHIMANO CS-M4100-10 11-42 (10)	SHIMANO HG200-9 11-36 (9)	SHIMANO HG200-9 11-36 (9)	SHIMANO HG200-8 12-32 (8)	SHIMANO HG200-8 12-32 (8)
CHAIN	KMC X10	KMC Z9	KMC Z9	KMC Z8.3	KMC Z8.3
HUBS	AUTHOR Radon 32 holes	QUANDO Disc 32 holes	QUANDO Disc 32 holes	QUANDO Disc 32 holes	QUANDO Disc 32 holes
BRAKES	TEKTRO Gemini disc hydraulic (6" rotors)	TEKTRO Auriga disc hydraulic (6" rotors)	TEKTRO Auriga disc hydraulic (6" rotors)	TEKTRO disc hydraulic (6" rotors)	TEKTRO disc mechanical (6" rotors)
BRAKE LEVERS	TEKTRO Gemini	TEKTRO Auriga	TEKTRO Auriga	TEKTRO	SHIMANO TX800
RIMS	AUTHOR Xenon TRC 27.5 32 holes	AUTHOR Xenon TRC 27.5 32 holes	AUTHOR Xenon 27.5 32 holes	AUTHOR Xenon 27.5 32 holes	AUTHOR Xenon 27.5 32 holes
SPOKES	black stainless steel 2.0 mm	black steel	black steel	black steel	black steel
TIRES	VITTORIA Barzo foldable 27.5" x 2.25"	AUTHOR Rocket 27.5" x 2.10"	AUTHOR Rocket 27.5" x 2.10"	AUTHOR Rocket 27.5" x 2.10"	AUTHOR Rocket 27.5" x 2.10"
PEDALS	AUTHOR alloy	AUTHOR alloy	resin	resin	resin
HANDLEBAR	AUTHOR 9° 680 / 700 mm	AUTHOR 9° 680 / 700 mm	AUTHOR 8° 660 / 680 mm	AUTHOR 8° 660 / 680 mm	AUTHOR 8° 660 / 680 mm
GRIPS	AUTHOR Pro Lock	AUTHOR Pro Lock	AUTHOR kratton rubber	AUTHOR kratton rubber	AUTHOR kratton rubber
STEM	AUTHOR alloy	AUTHOR alloy	AUTHOR alloy	AUTHOR alloy	AUTHOR alloy
SEAT POST	AUTHOR alloy (31.6)	AUTHOR alloy (31.6)	AUTHOR alloy (31.6)	AUTHOR alloy (31.6)	AUTHOR alloy (31.6)
SEAT CLAMP	AUTHOR (34.9)	AUTHOR (34.9)	AUTHOR (34.9)	AUTHOR (34.9)	AUTHOR (34.9)
SADDLE	AUTHOR Navigator	AUTHOR Navigator	AUTHOR Courier	AUTHOR Courier	AUTHOR Courier
SPEED	20	18	27	24	24
WEIGHT	13,2 kg / 17"	14,5 kg / 17"	14,4 kg / 17"	14,2 kg / 17"	15 kg / 17"



	S/T ct	T/T h	T/T a	H/T	C/S	W/B	S/T ang.	H/T ang.	F/L	B/B drop	B/B width	F/R	REACH	STACK
TRACTION* T 1.5" PF / PEGAS* T 1.5" PF														
15"	381	570	540	115	435	1056	73.0	69.0	495	35	68	44	362	590
17"	432	590	554	125	435	1076	73.0	69.0	495	35	68	44	379	599
19"	483	615	578	130	435	1101	73.0	69.0	495	35	68	44	402	604
SOLUTION* / IMPULSE* / RIVAL*														
15"	381	570	540	115	435	1050	73.0	69.0	495	35	68	44	358	593
17"	432	590	554	125	435	1076	73.0	69.0	495	35	68	44	378	602
19"	483	615	577	130	435	1101	73.0	69.0	495	35	68	44	401	607

* t 1.5" PF – integrated head set 1.5" tapered PF

PF – Press Fit

* – 1 1/8" integrated head set PF 50 mm

GEOMETRY TABLE LEGEND:

S/T ct – seat tube (center-top),

T/T h – top tube horizontal

T/T a – top tube actual

H/T – head tube

C/S – chain stay

W/B – wheel base

S/T ang. – seat tube angle

H/T ang. – head tube angle

F/L – fork length

B/B drop – bottom bracket drop

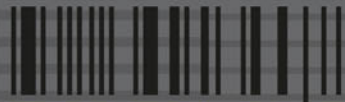
B/B width – bottom bracket width

F/R – fork rake

REACH – the horizontal distance from the center of the bottom bracket / crank to the top middle point of the head tube

STACK – the vertical distance from the center of the frame's bottom bracket / crank to the top middle point of the head tube

Recommended frame size to the body height for each model you can find on our web site www.author.eu



MTB A5L 27.5



INSTINCT ASL



TRACTION ASL



SPIRIT ASL



PEGAS ASL



SOLUTION ASL (A)



SOLUTION ASL (B)



IMPULSE ASL (A)



IMPULSE ASL (B)



RIVAL ASL (A)



RIVAL ASL (A)

SHIMANO
1x11



INSTINCT ASL

FRAME	double butted hydroformed alloy 6061 (ASL)	CASSETTE	Shimano M5100-11, 11 speed (11-51 teeth)
FORK	RST F1RST 27.5 Air (100 mm travel)	BRAKES	Shimano BRMT400 (6"), hydraulic
CHAINWHEEL	Shimano M5100-1 (32 teeth), BB unit	TIRES	Vittoria Barzo 27.5" x 2.25", foldable
REAR DERAILLEUR / SHIFTERS	Shimano Deore, 11 speed	WEIGHT	11,9 kg / 16"

SHIMANO
2x10



TRACTION ASL

FRAME	double butted hydroformed alloy 6061 (ASL)	CASSETTE	Shimano M4100-10, 10 speed (11-42 teeth)
FORK	RST Aerial 27.5 TRL (100 mm travel)	BRAKES	Tektro Gemini WS (6"), hydraulic
CHAINWHEEL	Shimano M4100-2 (36-26 teeth), BB unit	TIRES	Vittoria Barzo 27.5" x 2.25", foldable
REAR DERAILLEUR / SHIFTERS	Shimano Deore, 20 speed	WEIGHT	13,1 kg / 16"

SHIMANO
2x9



SPIRIT ASL

FRAME	hydroformed alloy 6061 (ASL)	CASSETTE	Shimano HG400-9, 9 speed (11-36 teeth)
FORK	RST Aerial 27.5 TRL (100 mm travel)	BRAKES	Tektro Auriga WS (6"), hydraulic
CHAINWHEEL	Shimano MT210-2 (36-22 teeth), BB unit	TIRES	Author Speed Master 27.5" x 2.00"
REAR DERAILLEUR / SHIFTERS	Shimano Alivio, 18 speed	WEIGHT	13,7 kg / 16"

SHIMANO
2x9



PEGAS ASL

FRAME	hydroformed alloy 6061 (ASL)	CASSETTE	Shimano HG200-9, 9 speed (11-36 teeth)
FORK	RST Blaze 27.5 TnL (100 mm travel)	BRAKES	Tektro Auriga WS (6"), hydraulic
CHAINWHEEL	Shimano MT210-2 (36-22 teeth)	TIRES	Author Speed Master 27.5" x 2.00"
REAR DERAILLEUR / SHIFTERS	Shimano Alivio, 18 speed	WEIGHT	14,3 kg / 16"



SOLUTION ASL [A]

FRAME	alloy 6061 (ASL)	CASSETTE	Shimano HG200-9, 9 speed (11-36 teeth)
FORK	RST Blaze 27.5 ML (100 mm travel)	BRAKES	Tektro Auriga WS (6"), hydraulic
CHAINWHEEL	Shimano MT101 (40-30-22 teeth)	TIRES	Author Speed Master 27.5" x 2.00"
REAR DERAILLEUR / SHIFTERS	Shimano Alivio, 27 speed	WEIGHT	14,2 kg / 16"



SOLUTION ASL [B]

FRAME	alloy 6061 (ASL)	CASSETTE	Shimano HG200-9, 9 speed (11-36 teeth)
FORK	RST Blaze 27.5 ML (100 mm travel)	BRAKES	Tektro Auriga WS (6"), hydraulic
CHAINWHEEL	Shimano MT101 (40-30-22 teeth)	TIRES	Author Speed Master 27.5" x 2.00"
REAR DERAILLEUR / SHIFTERS	Shimano Alivio, 27 speed	WEIGHT	14,2 kg / 16"



IMPULSE ASL [A]

FRAME	alloy 6061 (ASL)	CASSETTE	Shimano HG200-8, 8 speed (12-32 teeth)
FORK	RST Gila 27.5 ML (100 mm travel)	BRAKES	Tektro WS (6"), hydraulic
CHAINWHEEL	Prowheel (42-34-24 teeth)	TIRES	Author Speed Master 27.5" x 2.00"
REAR DERAILLEUR / SHIFTERS	Shimano Altus, 24 speed	WEIGHT	13,9 kg / 16"



IMPULSE ASL [B]

FRAME	alloy 6061 (ASL)	CASSETTE	Shimano HG200-8, 8 speed (12-32 teeth)
FORK	RST Gila 27.5 ML (100 mm travel)	BRAKES	Tektro WS (6"), hydraulic
CHAINWHEEL	Prowheel (42-34-24 teeth)	TIRES	Author Speed Master 27.5" x 2.00"
REAR DERAILLEUR / SHIFTERS	Shimano Altus, 24 speed	WEIGHT	13,9 kg / 16"



RIVAL ASL [A]

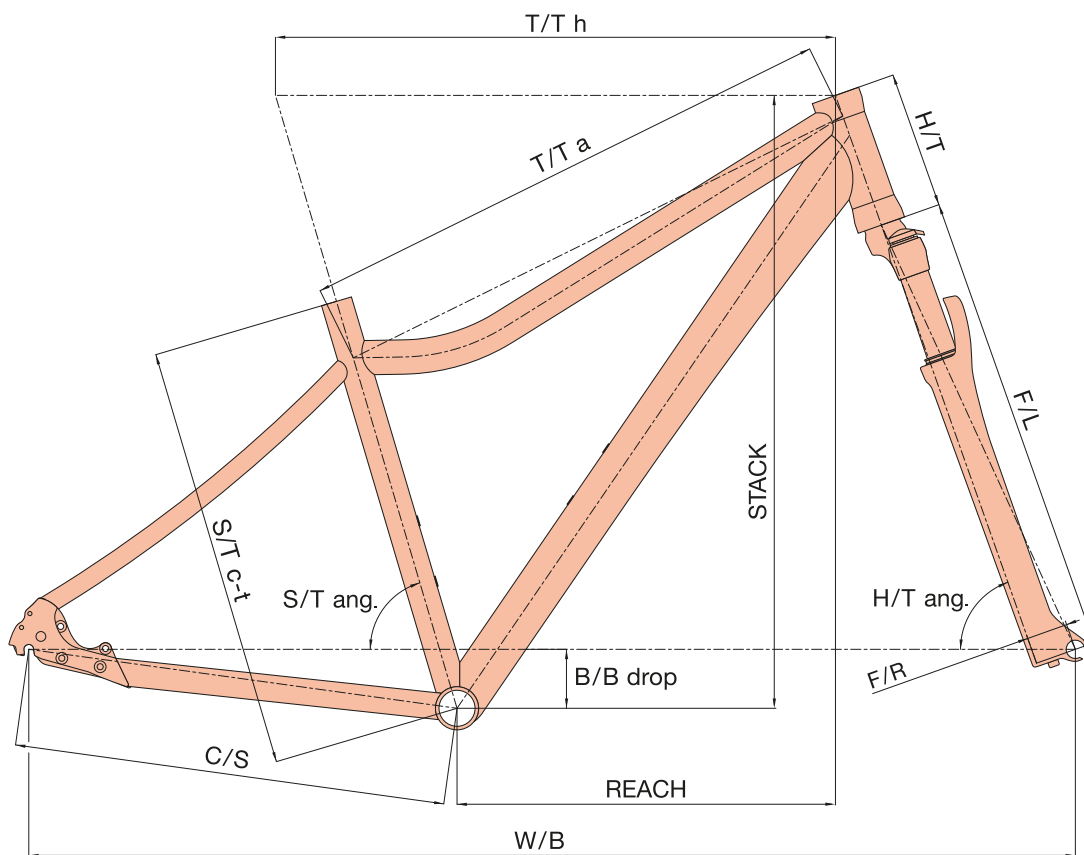
FRAME	alloy 6061 (ASL)	CASSETTE	Shimano HG200-8, 8 speed (12-32 teeth)
FORK	RST Gila 27.5 ML (100 mm travel)	BRAKES	Tektro (6"), mechanical
CHAINWHEEL	Prowheel (42-34-24 teeth)	TIRES	Author Speed Master 27.5" x 2.00"
REAR DERAILLEUR / SHIFTERS	Shimano TX800, 24 speed	WEIGHT	14,8 kg / 16"



RIVAL ASL [B]

FRAME	alloy 6061 (ASL)	CASSETTE	Shimano HG200-8, 8 speed (12-32 teeth)
FORK	RST Gila 27.5 ML (100 mm travel)	BRAKES	Tektro (6"), mechanical
CHAINWHEEL	Prowheel (42-34-24 teeth)	TIRES	Author Speed Master 27.5" x 2.00"
REAR DERAILLEUR / SHIFTERS	Shimano TX800, 24 speed	WEIGHT	14,8 kg / 16"

MODEL	INSTINCT ASL	TRACTION ASL	SPIRIT ASL	PEGAS ASL	SOLUTION ASL	IMPULSE ASL	RIVAL ASL
SIZE	16", 18"	14", 16", 18"	16", 18"	14", 16", 18"	14", 16", 18"	16", 18"	14", 16", 18"
FRAME	double butted hydroformed alloy 6061 27.5" (ASL)	double butted hydroformed alloy 6061 27.5" (ASL)	hydroformed alloy 6061 27.5" (ASL)	hydroformed alloy 6061 27.5" (ASL)	alloy 6061 27.5" (ASL)	alloy 6061 27.5" (ASL)	alloy 6061 27.5" (ASL)
FRONT FORK	RST F1RST 27.5 15 TRL air, remote lock out (100 mm)	RST Aerial 27.5 15 TRL air, remote lock out (100 mm)	RST Aerial 27.5 15 TRL air, remote lock out (100 mm)	RST Blaze 27.5 ML oil, lock out (100 mm)	RST Blaze 27.5 ML oil, lock out (100 mm)	RST Gila 27.5 ML lock out (100 mm)	RST Gila 27.5 ML lock out (100 mm)
HEAD PARTS	FSA Integrated 1.5" tapered	AUTHOR Integrated 1.5" tapered	AUTHOR Integrated 1.5" tapered	AUTHOR Integrated 1.5" tapered	PRESTINE Integrated 1-1/8"	PRESTINE Integrated 1-1/8"	PRESTINE Integrated 1-1/8"
CHAINWHEEL	SHIMANO M5100-1 36-26 teeth 170 / 175 mm cranks	SHIMANO M4100-2 36-26 teeth 170 / 175 mm cranks	SHIMANO MT210-2 36-22 teeth 170 mm cranks	SHIMANO MT210-2 36-22 teeth 170 mm cranks	SHIMANO MT101 40-30-22 teeth 170 mm cranks	PROWHEEL 42-34-24 teeth 170 mm cranks	PROWHEEL 42-34-24 teeth 170 mm cranks
B.B. PARTS	SHIMANO BB-52 BB unit	SHIMANO BB-52 BB unit	SHIMANO BB-MT500 BB unit	SHIMANO BB-UN101 cartridge	SHIMANO BB-UN101 cartridge	VP COMP cartridge	VP COMP cartridge
FRONT DERAILLEUR	-	SHIMANO Deore (34.9)	SHIMANO Alivio (34.9)	SHIMANO Alivio (34.9)	SHIMANO Altus (34.9)	SHIMANO TY700 (34.9)	SHIMANO TY700 (34.9)
REAR DERAILLEUR	SHIMANO Deore	SHIMANO Deore	SHIMANO Alivio	SHIMANO Alivio	SHIMANO Alivio	SHIMANO Altus	SHIMANO TX800
SHIFTERS	SHIMANO Deore (11)	SHIMANO Deore (20)	SHIMANO Alivio (18)	SHIMANO Alivio (18)	SHIMANO Alivio (27)	SHIMANO Altus (24)	SHIMANO TX800 (24)
FREEWHEEL	SHIMANO CS-M5100-11 11-51 (11)	SHIMANO CS-M4100-10 11-42 (10)	SHIMANO HG400-9 11-36 (9)	SHIMANO HG200-9 11-36 (9)	SHIMANO HG200-9 11-36 (9)	SHIMANO HG200-8 12-32 (8)	SHIMANO HG200-8 12-32 (8)
CHAIN	KMC X11	KMC X10	KMC Z9	KMC Z9	KMC Z9	KMC Z8.3	KMC Z8.3
HUBS	AUTHOR Xenon 32 holes	AUTHOR Radon 32 holes	QUANDO Disc 32 holes	QUANDO Disc 32 holes	QUANDO Disc 32 holes	QUANDO Disc 32 holes	QUANDO Disc 32 holes
BRAKES	SHIMANO BR MT400 disc hydraulic (6" rotors)	TEKTRO Gemini disc hydraulic (6" rotors)	TEKTRO Auriga disc hydraulic (6" rotors)	TEKTRO Auriga disc hydraulic (6" rotors)	TEKTRO Auriga disc hydraulic (6" rotors)	TEKTRO disc hydraulic (6" rotors)	TEKTRO disc mechanical (6" rotors)
BRAKE LEVERS	SHIMANO BL MT400	TEKTRO Gemini WS	TEKTRO Auriga WS	TEKTRO Auriga WS	TEKTRO Auriga WS	TEKTRO WS	SHIMANO TX800
RIMS	AUTHOR Xenon TRC 27.5 32 holes	AUTHOR Xenon TRC 27.5 32 holes	AUTHOR Xenon TRC 27.5 32 holes	AUTHOR Xenon TRC 27.5 32 holes	AUTHOR Xenon 27.5 32 holes	AUTHOR Xenon 27.5 32 holes	AUTHOR Xenon 27.5 32 holes
SPOKES	black stainless steel 2.0 mm	black stainless steel 2.0 mm	black steel	black steel	black steel	black steel	black steel
TIRES	VITTORIA Barzo foldable 27.5" x 2.25"	VITTORIA Barzo foldable 27.5" x 2.25"	AUTHOR Speed Master 27.5" x 2.00"	AUTHOR Speed Master 27.5" x 2.00"	AUTHOR Speed Master 27.5" x 2.00"	AUTHOR Speed Master 27.5" x 2.00"	AUTHOR Speed Master 27.5" x 2.00"
PEDALS	-	AUTHOR alloy	AUTHOR alloy	AUTHOR alloy	resin	resin	resin
HANDLEBAR	AUTHOR 9° 660 / 680 mm	AUTHOR 9° 660 / 680 mm	AUTHOR 9° 660 / 680 mm	AUTHOR 9° 660 / 680 mm	AUTHOR 8° 640 / 660 mm	AUTHOR 8° 640 / 660 mm	AUTHOR 8° 640 / 660 mm
GRIPS	AUTHOR GripLock foam	AUTHOR GripLock foam	AUTHOR GripLock foam	AUTHOR GripLock foam	AUTHOR high density foam	AUTHOR high density foam	AUTHOR high density foam
STEM	AUTHOR alloy	AUTHOR alloy	AUTHOR alloy	AUTHOR alloy	AUTHOR alloy	AUTHOR alloy	AUTHOR alloy
SEAT POST	AUTHOR alloy (31.6)	AUTHOR alloy (31.6)	AUTHOR alloy (31.6)	AUTHOR alloy (31.6)	AUTHOR alloy (31.6)	AUTHOR alloy (31.6)	AUTHOR alloy (31.6)
SEAT CLAMP	AUTHOR (34.9)	AUTHOR (34.9)	AUTHOR (34.9)	AUTHOR (34.9)	AUTHOR (34.9)	AUTHOR (34.9)	AUTHOR (34.9)
SADDLE	AUTHOR Fenix	AUTHOR Fenix	AUTHOR Fenix	AUTHOR Fenix	AUTHOR Fenix	AUTHOR Fenix	AUTHOR Fenix
SPEED	11	20	18	18	27	24	24
WEIGHT	11,9 kg / 16"	13,1 kg / 16"	13,7 kg / 16"	14,3 kg / 16"	14,2 kg / 16"	13,9 kg / 16"	14,8 kg / 16"



	S/T c-t	T/T h	T/T a	H/T	C/S	W/B	S/T ang.	H/T ang.	F/L	B/B drop	B/B width	F/R	REACH	STACK
INSTINCT ASL* T 1.5" PF / TRACTION ASL* T 1.5" PF / SPIRIT ASL* T 1.5" PF / PEGAS ASL* T 1.5" PF														
14"	356	545	541	110	435	1043	73.0	70.0	495	45	68	44	362	599
16"	406	560	545	120	435	1064	73.0	69.5	495	45	68	44	375	606
18"	457	585	563	130	435	1090	73.0	69.5	495	45	68	44	397	615
SOLUTION ASL* / IMPULSE ASL* / RIVAL ASL*														
14"	356	545	542	110	435	1043	73.0	70.0	495	45	68	44	361	602
16"	406	560	546	120	435	1064	73.0	69.5	495	45	68	44	374	609
18"	457	585	563	130	435	1080	73.0	69.5	495	45	68	44	396	619

* t 1.5" PF – integrated head set 1.5" tapered PF

* – 1 1/8" integrated head set PF 50 mm

PF – Press Fit

GEOMETRY TABLE LEGEND:

S/T c-t – seat tube (center-top)

T/T h – top tube horizontal

T/T a – top tube actual

H/T – head tube

C/S – chain stay

W/B – wheel base

S/T ang. – seat tube angle

H/T ang. – head tube angle

F/L – fork length

B/B drop – bottom bracket drop

B/B width – bottom bracket width

F/R – fork rake

REACH – the horizontal distance from the center of the bottom bracket / crank to the top middle point of the head tube

STACK – the vertical distance from the center of the frame's bottom bracket / crank to the top middle point of the head tube

Recommended frame size to the body height for each model you can find on our web site www.author.eu



MTB 26



OUTSET [A]



OUTSET [B]



OUTSET [C]



UNICA [A]



UNICA [B]



OUTSET [A]

FRAME	alloy 6061	SPROCKET	Shimano MF-TZ510-7, 7 speed (14-34 teeth)
FORK	RST Capa 26 T (80 mm travel)	BRAKES	Tektro V
CHAINWHEEL	Prowheel (42-34-24 teeth)	TIRES	Author Rocket 26" × 2.10"
REAR DERAILLEUR / SHIFTERS	Shimano TY500 / Shimano, 21 speed	WEIGHT	13,6 kg / 17"



OUTSET [B]

FRAME	alloy 6061	SPROCKET	Shimano MF-TZ510-7, 7 speed (14-34 teeth)
FORK	RST Capa 26 T (80 mm travel)	BRAKES	Tektro V
CHAINWHEEL	Prowheel (42-34-24 teeth)	TIRES	Author Rocket 26" × 2.10"
REAR DERAILLEUR / SHIFTERS	Shimano TY500 / Shimano, 21 speed	WEIGHT	13,6 kg / 17"



OUTSET [C]

FRAME	alloy 6061	SPROCKET	Shimano MF-TZ510-7, 7 speed (14-34 teeth)
FORK	RST Capa 26 T (80 mm travel)	BRAKES	Tektro V
CHAINWHEEL	Prowheel (42-34-24 teeth)	TIRES	Author Rocket 26" x 2.10"
REAR DERAILLEUR / SHIFTERS	Shimano TY500 / Shimano, 21 speed	WEIGHT	13,6 kg / 17"





UNICA [A]

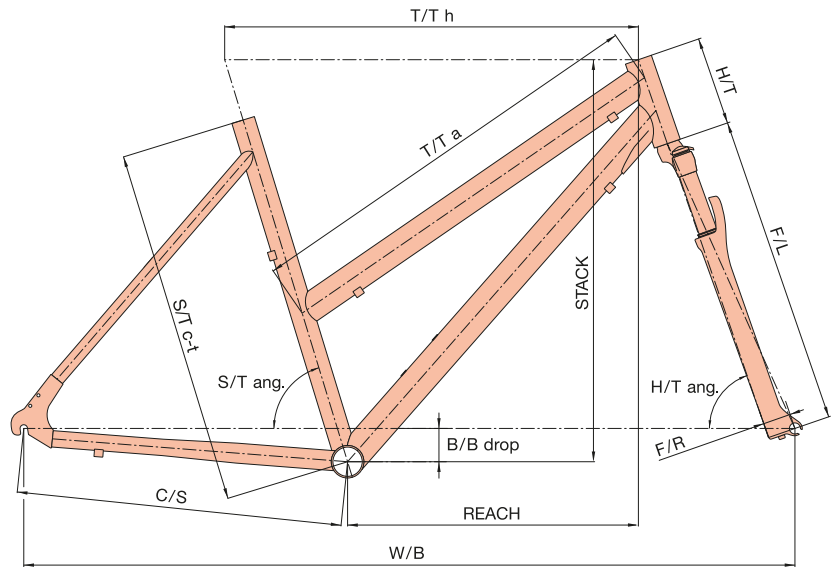
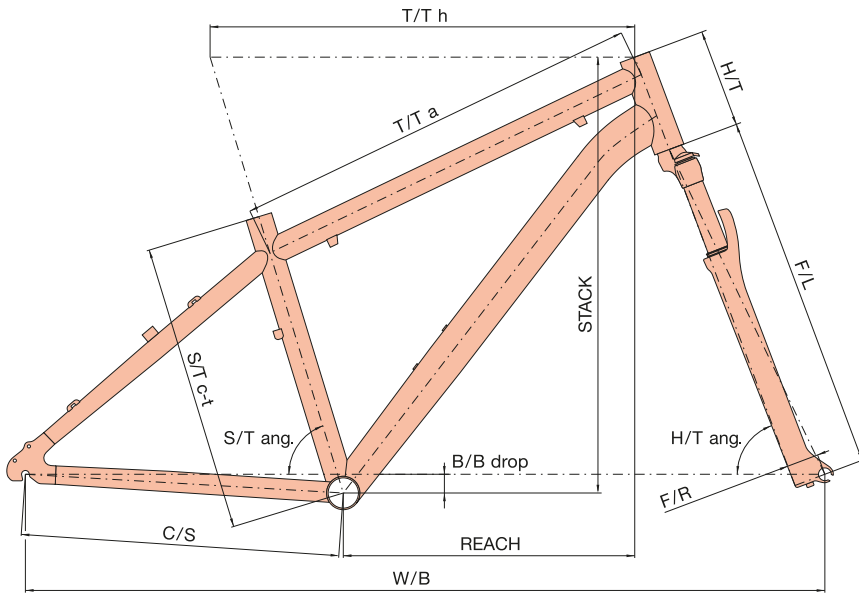
FRAME	alloy 6061	SPROCKET	Shimano MF-TZ510-7, 7 speed (14-34 teeth)
FORK	RST Capa 26 T (80 mm travel)	BRAKES	Tektro V
CHAINWHEEL	Prowheel (42-34-24 teeth)	TIRES	Author Speed Master 26" x 2.00"
REAR DERAILLEUR / SHIFTERS	Shimano TY500 / Shimano, 21 speed	WEIGHT	13,4 kg / 16"



UNICA [B]

FRAME	alloy 6061	SPROCKET	Shimano MF-TZ510-7, 7 speed (14-34 teeth)
FORK	RST Capa 26 T (80 mm travel)	BRAKES	Tektro V
CHAINWHEEL	Prowheel (42-34-24 teeth)	TIRES	Author Speed Master 26" x 2.00"
REAR DERAILLEUR / SHIFTERS	Shimano TY500 / Shimano, 21 speed	WEIGHT	13,4 kg / 16"

MODEL	OUTSET	UNICA
SIZE	15", 17", 19", 21"	16", 18"
FRAME	alloy 6061 26"	alloy 6061 26" (L)
FRONT FORK	RST Capa 26 T (80 mm)	RST Capa 26 T (80 mm)
HEAD PARTS	PRESTINE 1-1/8"	PRESTINE 1-1/8"
CHAINWHEEL	PROWHEEL 42-34-24 teeth 170 mm cranks	PROWHEEL 42-34-24 teeth 170 mm cranks
B.B. PARTS	VP COMP cartridge	VP COMP cartridge
FRONT DERAILLEUR	SHIMANO TY500 (34.9)	SHIMANO TY500 (34.9)
REAR DERAILLEUR	SHIMANO TY500	SHIMANO TY500
SHIFTERS	SHIMANO (21)	SHIMANO (21)
FREEWHEEL	SHIMANO MF-TZ510 14-34 (7)	SHIMANO MF-TZ510 14-34 (7)
CHAIN	KMC Z7	KMC Z7
HUBS	QUANDO 36 holes	QUANDO 36 holes
BRAKES	TEKTRO V	TEKTRO V
BRAKE LEVERS	SHIMANO	SHIMANO
RIMS	alloy 36 holes	alloy 36 holes
SPOKES	steel	steel
TIRES	AUTHOR Rocket 26" x 2.10"	AUTHOR Speed Master 26" x 2.00"
PEDALS	resin	resin
HANDLEBAR	steel 20 mm 640 mm	steel 20 mm 640 mm
GRIPS	AUTHOR high density foam	AUTHOR high density foam
STEM	ZOOM alloy	ZOOM alloy
SEAT POST	alloy (31.6)	alloy (31.6)
SEAT CLAMP	AUTHOR (34.9)	AUTHOR (34.9)
SADDLE	AUTHOR	AUTHOR
SPEED	21	21
WEIGHT	13,6 kg / 17"	13,4 kg / 16"



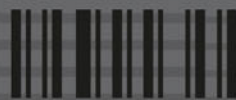
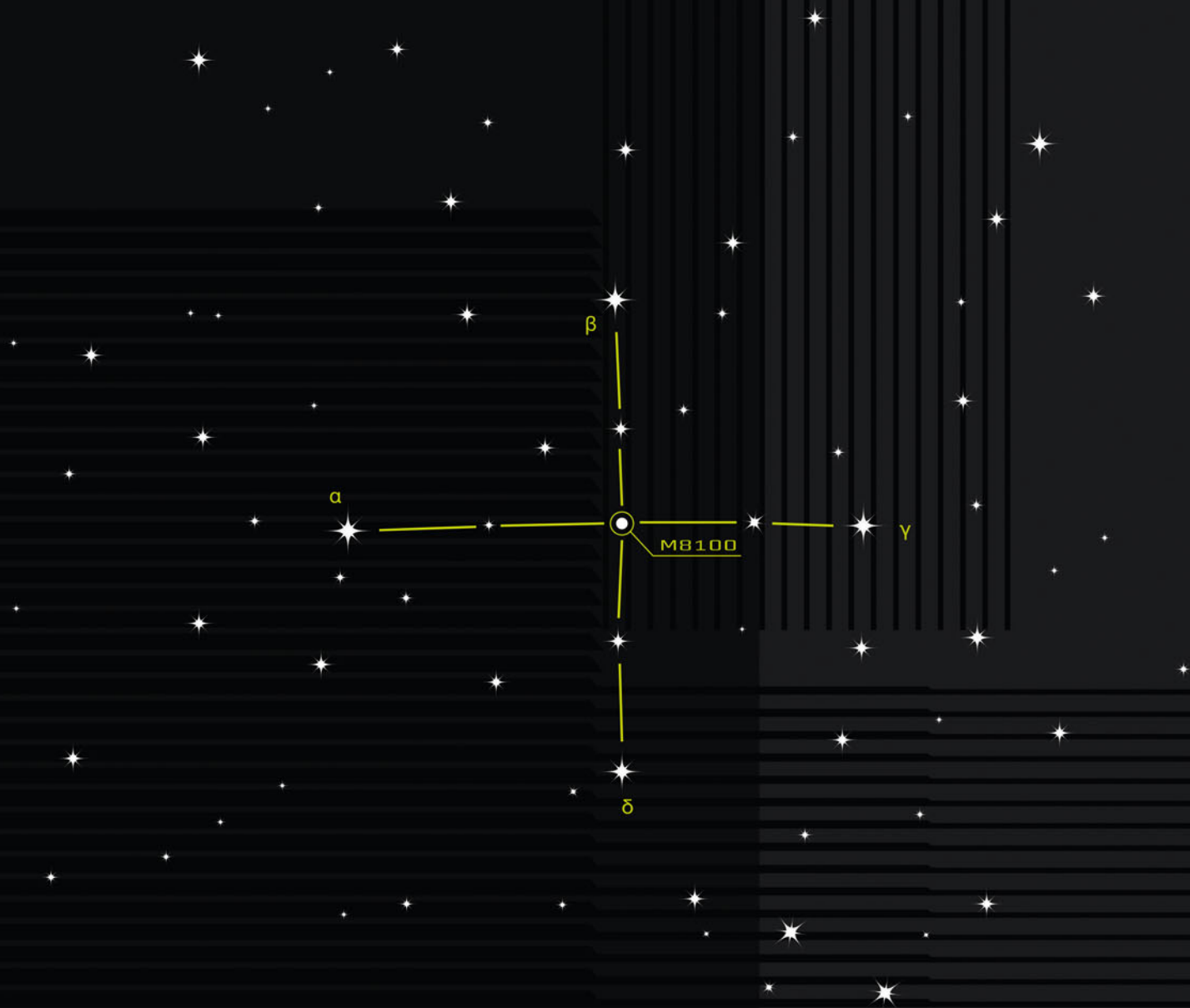
	S/T c-t	T/T h	T/T a	H/T	C/S	W/B	S/T ang.	H/T ang.	F/L	B/B drop	B/B width	F/R	REACH	STACK
OUTSET*														
15"	381	560	543	130	420	1044	73.0	69.5	460	25	68	38	384	575
17"	432	585	562	135	420	1075	73.0	69.5	460	25	68	38	408	580
19"	483	610	586	140	420	1100	73.0	69.5	460	25	68	38	432	584
UNICA*														
16"	406	570	582	130	420	1052	73.0	70.0	460	30	68	38	492	582
18"	457	595	602	130	420	1071	73.0	70.0	460	30	68	38	417	582

* - 1 1/8" head set

GEOMETRY TABLE LEGEND:

- S/T c-t - seat tube (center-top)
- T/T h - top tube horizontal
- T/T a - top tube actual
- H/T - head tube
- C/S - chain stay
- W/B - wheel base
- S/T ang. - seat tube angle
- H/T ang. - head tube angle
- F/L - fork length
- B/B drop - bottom bracket drop
- B/B width - bottom bracket width
- F/R - fork rake
- REACH - the horizontal distance from the center of the bottom bracket / crank to the top middle point of the head tube
- STACK - the vertical distance from the center of the frame's bottom bracket / crank to the top middle point of the head tube

Recommended frame size to the body height for each model you can find on our web site www.author.eu



CROSS 29



AVION



SYNERGY



CODEX



AIRLINE



MISSION



GRAND [A]



GRAND [B]



VERTIGO [A]



VERTIGO [B]



VERTIGO [C]

SHIMANO
2x10

12x142

15x100



AVION

FRAME	Author C carbon monocoque
FORK	Author carbon 1.5" tapered
CHAINWHEEL	Shimano GRX 600 (46-30 teeth), BB unit
REAR DERAILLEUR / SHIFTERS	Shimano GRX 400 / Tiagra, 20 speed

CASSETTE	Shimano HG500-10, 10 speed (11-34 teeth)
BRAKES	Shimano Deore (6"), hydraulic
TIRES	Panaracer Gravel King SK 700 x 43c, aramid
WEIGHT	10,0 kg / 20"

SHIMANO
3x10

12x142



SYNERGY

FRAME	Author C carbon monocoque
FORK	RST Vogue Air TRL (80 mm travel)
CHAINWHEEL	Shimano Deore (48-36-26 teeth), BB unit
REAR DERAILLEUR / SHIFTERS	Shimano XT / Deore, 30 speed

CASSETTE	Shimano HG50-10, 10 speed (11-36 teeth)
BRAKES	Tektro Gemini (6"), hydraulic
TIRES	Panaracer Gravel King SK 700 x 43c, aramid
WEIGHT	11,6 kg / 20"



SHIMANO
3x10

CODEX

FRAME	triple butted alloy 6061	CASSETTE	Shimano CS-HG50-10, 10 speed (11-36 teeth)
FORK	RST Vogue Air TRL (80 mm travel)	BRAKES	Tektro Gemini (6"), hydraulic
CHAINWHEEL	Shimano Deore (48-36-26 teeth), BB unit	TIRES	Author Speed Master 29" x 1.75", aramid
REAR DERAILLEUR / SHIFTERS	Shimano XT / Deore, 30 speed	WEIGHT	12,8 kg / 20"



SHIMANO
3x10

AIRLINE

FRAME	triple butted alloy 6061	CASSETTE	Shimano CS-HG50-10, 10 speed (11-36 teeth)
FORK	RST Viv Air TnL (80 mm travel)	BRAKES	Tektro Gemini (6"), hydraulic
CHAINWHEEL	Shimano Deore (48-36-26 teeth), BB unit	TIRES	Author Speed Master 29" x 1.75"
REAR DERAILLEUR / SHIFTERS	Shimano Deore, 30 speed	WEIGHT	13,4 kg / 20"



MISSION

FRAME	triple butted alloy 6061	CASSETTE	Shimano HG400-9, 9 speed (11-34 teeth)
FORK	RST Vita TnL (80 mm travel)	BRAKES	Tektro Gemini (6"), hydraulic
CHAINWHEEL	Shimano Alivio (48-36-26 teeth), BB unit	TIRES	Author Speed Master 29" x 1.75"
REAR DERAILLEUR / SHIFTERS	Shimano Alivio, 27 speed	WEIGHT	13,9 kg / 20"



GRAND [A]

FRAME	alloy 6061	CASSETTE	Shimano HG200-9, 9 speed (11-36 teeth)
FORK	RST Vita TnL (80 mm travel)	BRAKES	Tektro Vela (6"), hydraulic
CHAINWHEEL	Suntour NCX (48-36-26 teeth)	TIRES	Author Speed Master 29" x 1.75"
REAR DERAILLEUR / SHIFTERS	Shimano Alivio, 27 speed	WEIGHT	14,7 kg / 20"



GRAND [B]

FRAME	alloy 6061	CASSETTE	Shimano HG200-9, 9 speed (11-36 teeth)
FORK	RST Vita TnL (80 mm travel)	BRAKES	Tektro Vela (6"), hydraulic
CHAINWHEEL	Suntour NCX (48-36-26 teeth)	TIRES	Author Speed Master 29" x 1.75"
REAR DERAILLEUR / SHIFTERS	Shimano Alivio, 27 speed	WEIGHT	14,7 kg / 20"



VERTIGO [A]

FRAME	alloy 6061	CASSETTE	Shimano HG200-9, 9 speed (11-34 teeth)
FORK	RST Gila 29 TnL (80 mm travel)	BRAKES	Tektro (6"), hydraulic
CHAINWHEEL	Suntour NCX (48-36-26 teeth)	TIRES	Author Speed Master 29" x 1.75"
REAR DERAILLEUR / SHIFTERS	Shimano Alivio, 27 speed	WEIGHT	15,5 kg / 20"



VERTIGO [B]

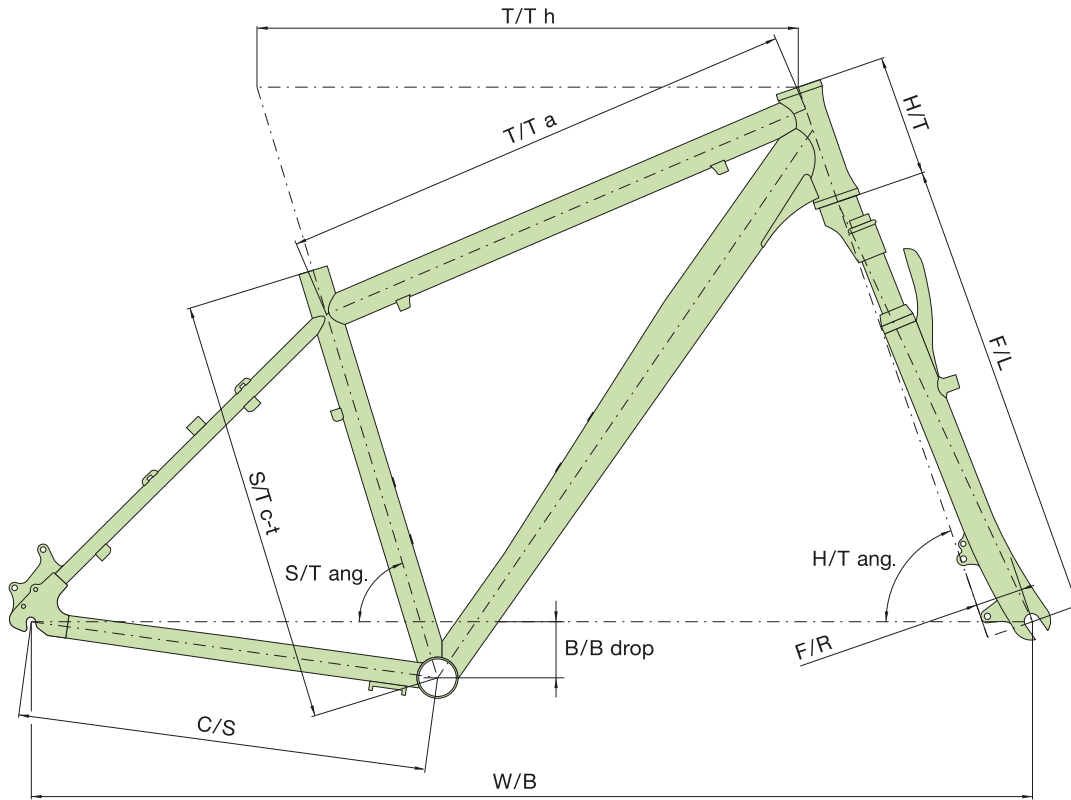
FRAME	alloy 6061	CASSETTE	Shimano HG200-9, 9 speed (11-34 teeth)
FORK	RST Gila 29 TnL (80 mm travel)	BRAKES	Tektro (6"), hydraulic
CHAINWHEEL	Suntour NCX (48-36-26 teeth)	TIRES	Author Speed Master 29" x 1.75"
REAR DERAILLEUR / SHIFTERS	Shimano Alivio, 27 speed	WEIGHT	15,5 kg / 20"



VERTIGO [C]

FRAME	alloy 6061	CASSETTE	Shimano HG200-9, 9 speed (11-34 teeth)
FORK	RST Gila 29 TnL (80 mm travel)	BRAKES	Tektro (6"), hydraulic
CHAINWHEEL	Suntour NCX (48-36-26 teeth)	TIRES	Author Speed Master 29" x 1.75"
REAR DERAILLEUR / SHIFTERS	Shimano Alivio, 27 speed	WEIGHT	15,5 kg / 20"

MODEL	AVION	SYNERGY	CODEX	AIRLINE	MISSION	GRAND	VERTIGO
SIZE	16", 18", 20", 22"	16", 18", 20", 22"	16", 18", 20", 22"	18", 20", 22"	16", 18", 20", 22"	16", 18", 20", 22"	16", 18", 20", 22"
FRAME	AUTHOR C karbon monocoque 29"	AUTHOR C karbon monocoque 29"	triple butted alloy 6061 29"	triple butted alloy 6061 29"	triple butted alloy 6061 29"	alloy 6061 29"	alloy 6061 29"
FRONT FORK	AUTHOR carbon 1.5" tapered	RST Vogue Air TRL air, remote lock out, 1.5" tapered (80 mm)	RST Vogue Air TRL air, remote lock out (80 mm)	RST Viv Air TnL air, lock out (80 mm)	RST Vita TnL oil, lock out (80 mm)	RST Vita TnL oil, lock out (80 mm)	RST Gila 29 TnL lock out (80 mm)
HEAD PARTS	AUTHOR Integrated 1.5" tapered	AUTHOR Integrated 1.5" tapered	AUTHOR Integrated 1-1/8"	AUTHOR Integrated 1-1/8"	AUTHOR Integrated 1-1/8"	AUTHOR Integrated 1-1/8"	PRESTINE Integrated 1-1/8"
CHAINWHEEL	SHIMANO GRX 600 48-30 teeth 170 / 175 mm cranks	SHIMANO Deore 48-36-26 teeth 170 / 175 mm cranks	SHIMANO Deore 48-36-26 teeth 170 / 175 mm cranks	SHIMANO Deore 48-36-26 teeth 170 / 175 mm cranks	SHIMANO Alivio 48-36-26 teeth 170 / 175 mm cranks	SUNTOUR NCX 48-36-26 teeth 170 / 175 mm cranks	SUNTOUR NCX 48-36-26 teeth 170 / 175 mm cranks
B.B. PARTS	SHIMANO BB-RS500 BB unit	SHIMANO BB-52 BB unit	SHIMANO BB-52 BB unit	SHIMANO BB-52 BB unit	SHIMANO BB-52 BB unit	SUNTOUR XCT cartridge	SUNTOUR XCT cartridge
FRONT DERAILLEUR	SHIMANO GRX 400 (34.9)	SHIMANO Deore (34.9)	SHIMANO Deore (31.8)	SHIMANO Deore (31.8)	SHIMANO Altus (31.8)	SHIMANO Altus (31.8)	SHIMANO Altus (31.8)
REAR DERAILLEUR	SHIMANO GRX 400	SHIMANO XT	SHIMANO XT	SHIMANO Deore	SHIMANO Alivio	SHIMANO Alivio	SHIMANO Alivio
SHIFTERS	SHIMANO Tiagra (20)	SHIMANO Deore (30)	SHIMANO Deore (30)	SHIMANO Deore (30)	SHIMANO Alivio (27)	SHIMANO Alivio (27)	SHIMANO Alivio (27)
FREEWHEEL	SHIMANO HG500-10 11-34 (10)	SHIMANO HG50-10 11-36 (10)	SHIMANO HG50-10 11-36 (10)	SHIMANO HG50-10 11-36 (10)	SHIMANO HG400-9 11-36 (9)	SHIMANO HG200-9 11-36 (9)	SHIMANO HG200-9 11-34 (9)
CHAIN	KMC X10	SHIMANO HG54	KMC X10	KMC X10	KMC Z9	KMC Z9	KMC Z9
HUBS	AUTHOR Helium / Xenon 15 x 100 mm thru front axle 12 x 142 mm thru rear axle 32 holes	AUTHOR Xenon 12 x 142 mm thru rear axle 32 holes	AUTHOR Xenon 32 holes	AUTHOR Radon 32 holes	AUTHOR Radon 32 holes	QUANDO Disc 32 holes	QUANDO Disc 32 holes
BRAKES	SHIMANO Deore disc hydraulic (6" rotors)	TEKTRO Gemini disc hydraulic (6" rotors)	TEKTRO Gemini disc hydraulic (6" rotors)	TEKTRO Gemini disc hydraulic (6" rotors)	TEKTRO Gemini disc hydraulic (6" rotors)	TEKTRO Vela disc hydraulic (6" rotors)	TEKTRO disc hydraulic (6" rotors)
BRAKE LEVERS	SHIMANO Deore	TEKTRO Gemini	TEKTRO Gemini	TEKTRO Gemini	TEKTRO Gemini	TEKTRO Vela	TEKTRO
RIMS	AUTHOR Xenon 29 32 holes	AUTHOR Xenon 29 32 holes	AUTHOR Xenon 29 32 holes	AUTHOR Xenon 29 32 holes	AUTHOR Xenon 29 32 holes	AUTHOR Xenon 29 32 holes	AUTHOR Xenon 29 32 holes
SPOKES	black stainless steel 2.0 mm	black stainless steel 2.0 mm	black stainless steel 2.0 mm	black stainless steel 2.0 mm	black stainless steel 2.0 mm	black stainless steel 2.0 mm	black steel
TIRES	PANARACER Gravel King SK aramid 700 x 43c	PANARACER Gravel King SK aramid 700 x 43c	AUTHOR Speed Master aramid 29" x 1.75"	AUTHOR Speed Master 29" x 1.75"	AUTHOR Speed Master 29" x 1.75"	AUTHOR Speed Master 29" x 1.75"	AUTHOR Speed Master 29" x 1.75"
PEDALS	-	-	AUTHOR alloy	AUTHOR alloy	AUTHOR alloy	AUTHOR alloy	AUTHOR Non Slip resin
HANDLEBAR	AUTHOR 15 mm 660 / 680 mm	AUTHOR 15 mm 660 / 680 mm	AUTHOR 15 mm 660 / 680 mm	AUTHOR 15 mm 660 / 680 mm	AUTHOR 15 mm 660 / 680 mm	AUTHOR 25 mm 660 / 680 mm	steel 20 mm 680mm
GRIPS	AUTHOR Microtech ErgoGrip	AUTHOR Microtech ErgoGrip	AUTHOR Microtech ErgoGrip	AUTHOR Microtech ErgoGrip	AUTHOR Microtech ErgoGrip	AUTHOR ErgoGrip Lock	AUTHOR ErgoGrip
STEM	AUTHOR alloy	AUTHOR alloy	AUTHOR alloy	AUTHOR alloy	AUTHOR alloy	UNO adjustable	ZOOM adjustable
SEAT POST	AUTHOR alloy (27.2)	AUTHOR alloy (27.2)	AUTHOR alloy (27.2)	AUTHOR alloy (27.2)	AUTHOR alloy (27.2)	AUTHOR alloy (27.2)	ZOOM alloy (27.2)
SEAT CLAMP	AUTHOR (31.8)	AUTHOR (31.8)	AUTHOR (31.8)	AUTHOR (31.8)	AUTHOR (31.8)	AUTHOR (31.8)	AUTHOR (31.8)
SADDLE	AUTHOR Navigator CR	AUTHOR Navigator CR	AUTHOR Sphere Gel	AUTHOR Sphere Gel	AUTHOR Sphere Gel	AUTHOR Sphere Gel	AUTHOR Sphere
SPEED	20	30	30	30	27	27	27
WEIGHT	10,0 kg / 20"	11,6 kg / 20"	12,8 kg / 20"	13,4 kg / 20"	13,9 kg / 20"	14,7 kg / 20"	15,5 kg / 20"



	S/T c-t	T/T h	T/T a	H/T	C/S	W/B	S/T ang.	H/T ang.	F/L	B/B drop	B/B width	F/R
AVION* T 1.5" DI/ SYNERGY* T 1.5" DI												
16"	406	560	540	110	450	1055	73.0	71.0	490	60	68	44
18"	457	580	556	130	450	1076	73.0	71.0	490	60	68	44
20"	508	600	574	150	450	1097	73.0	71.0	490	60	68	44
22"	559	620	595	160	450	1117	73.0	71.0	490	60	68	44
CODEx* / AIRLINE* / MISSION* / GRAND*												
16"	406	560	540	110	450	1055	73.0	71.0	490	60	68	44
18"	457	580	556	130	450	1076	73.0	71.0	490	60	68	44
20"	508	600	574	150	450	1097	73.0	71.0	490	60	68	44
22"	559	620	595	160	450	1117	73.0	71.0	490	60	68	44
VERTIGO*												
16"	406	560	545	110	450	1053	73.0	71.0	490	60	68	51
18"	457	580	559	130	450	1079	73.0	71.0	490	60	68	51
20"	508	600	575	150	450	1099	73.0	71.0	490	60	68	51
22"	559	620	595	160	450	1120	73.0	71.0	490	60	68	51

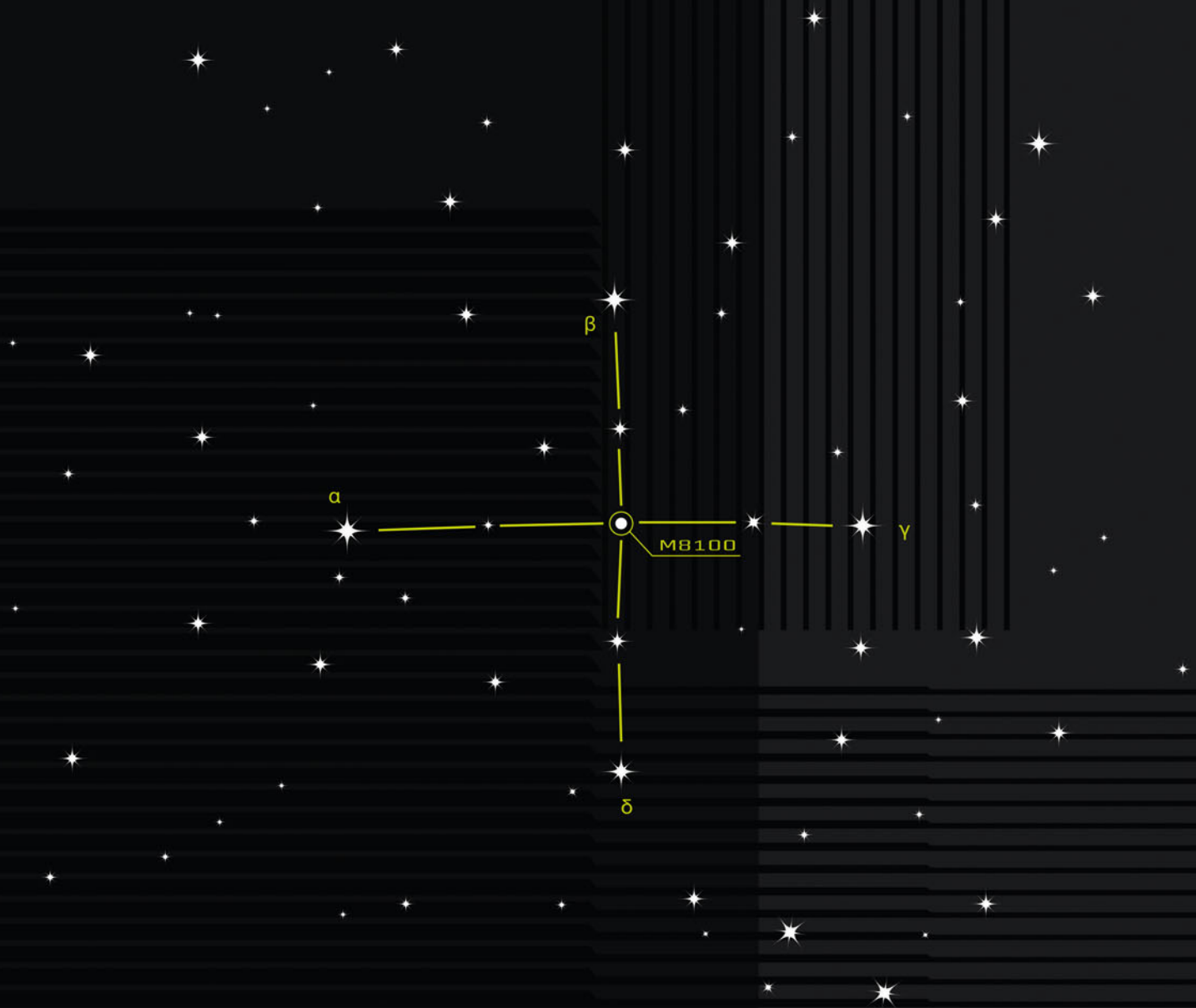
* t 1.5" DI – integrated head set 1.5" tapered DI
 * – 1 1/8" integrated head set PF 50 mm

DI – Drop In
 PF – Press Fit

GEOMETRY TABLE LEGEND:

- S/T c-t – seat tube (center-top)
- T/T h – top tube horizontal
- T/T a – top tube actual
- H/T – head tube
- C/S – chain stay
- W/B – wheel base
- S/T ang. – seat tube angle
- H/T ang. – head tube angle
- F/L – fork length
- B/B drop – bottom bracket drop
- B/B width – bottom bracket width
- F/R – fork rake

Recommended frame size to the body height for each model you can find on our web site www.author.eu



CROSS ASL 29



CODEX ASL



AIRLINE ASL



GRAND ASL [A]



GRAND ASL [B]



STRATOS ASL



VERTIGO ASL [A]



VERTIGO ASL [B]

SHIMANO
3x10



CODEX ASL

FRAME	triple butted alloy 6061 700c	CASSETTE	Shimano HG50-10, 10 speed (11-36 teeth)
FORK	RST Vogue Air TRL (80 mm travel)	BRAKES	Tektro Gemini WS (6"), hydraulic
CHAINWHEEL	Shimano Deore (44-32-24 teeth), BB unit	TIRES	Author Speed Master 29" x 1.75", aramid
REAR DERAILLEUR / SHIFTERS	Shimano XT / Deore, 30 speed	WEIGHT	12,7 kg / 17"

SHIMANO
3x10



AIRLINE ASL

FRAME	triple butted alloy 6061 700c	CASSETTE	Shimano HG50-10, 10 speed (11-36 teeth)
FORK	RST Viv Air TnL (80 mm travel)	BRAKES	Tektro Gemini WS (6"), hydraulic
CHAINWHEEL	Shimano Deore (44-32-24 teeth), BB unit	TIRES	Author Speed Master 29" x 1.75"
REAR DERAILLEUR / SHIFTERS	Shimano Deore, 30 speed	WEIGHT	13,3 kg / 17"



GRAND ASL [A]

FRAME	alloy 6061 700c	CASSETTE	Shimano HG200-9, 9 speed (11-36 teeth)
FORK	RST Vita TnL (80 mm travel)	BRAKES	Tektro Vela (6"), hydraulic
CHAINWHEEL	Suntour NCX (44-32-22 teeth)	TIRES	Author Speed Master 29" x 1.75"
REAR DERAILLEUR / SHIFTERS	Shimano Alivio, 27 speed	WEIGHT	14,5 kg / 17"



GRAND ASL [B]

FRAME	alloy 6061 700c	CASSETTE	Shimano HG200-9, 9 speed (11-36 teeth)
FORK	RST Vita TnL (80 mm travel)	BRAKES	Tektro Vela (6"), hydraulic
CHAINWHEEL	Suntour NCX (44-32-22 teeth)	TIRES	Author Speed Master 29" x 1.75"
REAR DERAILLEUR / SHIFTERS	Shimano Alivio, 27 speed	WEIGHT	14,5 kg / 17"



STRATOS ASL

FRAME	alloy 6061 700c	CASSETTE	Shimano HG200-9, 9 speed (11-36 teeth)
FORK	RST Capa 29 ML (80 mm travel)	BRAKES	Tektro V
CHAINWHEEL	Suntour NCX (44-32-22 teeth)	TIRES	Author Speed Master 29" x 1.75"
REAR DERAILLEUR / SHIFTERS	Shimano Alivio / Acera, 27 speed	WEIGHT	13,9 kg / 17"





VERTIGO ASL [A]

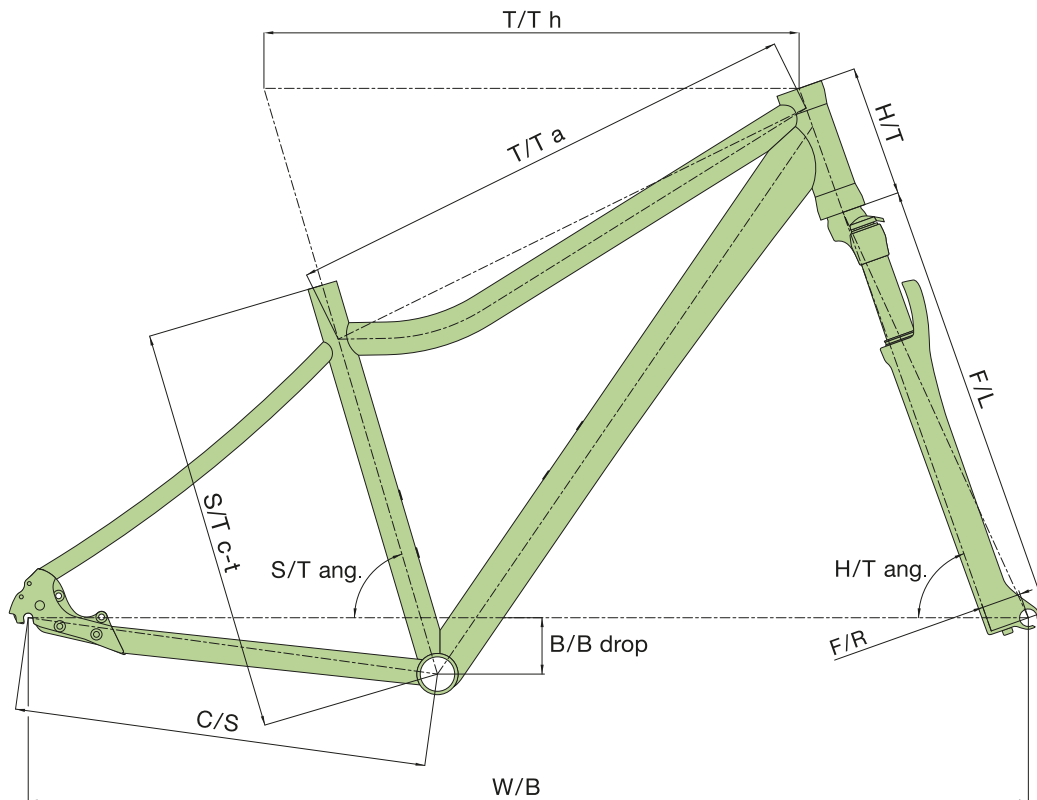
FRAME	alloy 6061 700c	CASSETTE	Shimano CS-HG200-9, 9 speed (11-34 teeth)
FORK	RST Gila 29 TnL (80 mm travel)	BRAKES	Tektro WS (6"), hydraulic
CHAINWHEEL	Suntour NCX (44-32-22 teeth)	TIRES	Author Speed Master 29" x 1.75"
REAR DERAILLEUR / SHIFTERS	Shimano Alivio, 27 speed	WEIGHT	15,4 kg / 17"



VERTIGO ASL [B]

FRAME	alloy 6061 700c	CASSETTE	Shimano CS-HG200-9, 9 speed (11-34 teeth)
FORK	RST Gila 29 TnL (80 mm travel)	BRAKES	Tektro WS (6"), hydraulic
CHAINWHEEL	Suntour NCX (44-32-22 teeth)	TIRES	Author Speed Master 29" x 1.75"
REAR DERAILLEUR / SHIFTERS	Shimano Alivio, 27 speed	WEIGHT	15,4 kg / 17"

MODEL	CODEX ASL	AIRLINE ASL	GRAND ASL	STRATOS ASL	VERTIGO ASL
SIZE	15", 17", 19"	17", 19"	15", 17", 19"	17", 19"	15", 17", 19"
FRAME	triple butted alloy 6061 29" (ASL)	triple butted alloy 6061 29" (ASL)	alloy 6061 29" (ASL)	alloy 6061 29" (ASL)	alloy 6061 29" (ASL)
FRONT FORK	RST Vogue Air TRL air, remote lock out (80 mm)	RST Viv Air TnL air, lock out (80 mm)	RST Vita TnL oil, lock out (80 mm)	RST Capa 29 ML lock out (80 mm)	RST Gila 29 TnL lock out (80 mm)
HEAD PARTS	AUTHOR Integrated 1-1/8"	AUTHOR Integrated 1-1/8"	AUTHOR Integrated 1-1/8"	AUTHOR Integrated 1-1/8"	PRESTINE Integrated 1-1/8"
CHAINWHEEL	SHIMANO Deore 44-32-24 teeth 170 / 175 mm cranks	SHIMANO Deore 44-32-24 teeth 170 / 175 mm cranks	SUNTOUR NCX 44-32-22 teeth 170 mm cranks	SUNTOUR NCX 44-32-22 teeth 170 mm cranks	SUNTOUR NCX 44-32-22 teeth 170 / 175 mm cranks
B.B. PARTS	SHIMANO BB-52 BB unit	SHIMANO BB-52 BB unit	SUNTOUR XCT cartridge	SUNTOUR XCT cartridge	SUNTOUR XCT cartridge
FRONT DERAILLEUR	SHIMANO Deore (31.8)	SHIMANO Deore (31.8)	SHIMANO Altus (31.8)	SHIMANO Altus (31.8)	SHIMANO Altus (31.8)
REAR DERAILLEUR	SHIMANO XT	SHIMANO Deore	SHIMANO Alivio	SHIMANO Alivio	SHIMANO Alivio
SHIFTERS	SHIMANO Deore (30)	SHIMANO Deore (30)	SHIMANO Alivio (27)	SHIMANO Acera (27)	SHIMANO Alivio (27)
FREEWHEEL	SHIMANO HG50-10 11-36 (10)	SHIMANO HG50-10 11-36 (10)	SHIMANO HG200-9 11-36 (9)	SHIMANO HG200-9 11-36 (9)	SHIMANO HG200-9 11-34 (9)
CHAIN	KMC X10	KMC X10	KMC Z9	KMC Z9	KMC Z9
HUBS	AUTHOR Xenon 32 holes	AUTHOR Radon 32 holes	QUANDO Disc 32 holes	QUANDO 32 holes	QUANDO Disc 32 holes
BRAKES	TEKTRO Gemini disc hydraulic (6" rotors)	TEKTRO Gemini disc hydraulic (6" rotors)	TEKTRO Vela disc hydraulic (6" rotors)	TEKTRO V	TEKTRO disc hydraulic (6" rotors)
BRAKE LEVERS	TEKTRO Gemini WS	TEKTRO Gemini WS	TEKTRO Vela	TEKTRO alloy	TEKTRO alloy
RIMS	AUTHOR Xenon 29 32 holes	AUTHOR Xenon 29 32 holes	AUTHOR Xenon 29 32 holes	AUTHOR Argon 29 32 holes	AUTHOR Xenon 29 32 holes
SPOKES	black stainless steel 2.0 mm	black stainless steel 2.0 mm	black stainless steel 2.0 mm	black stainless steel 2.0 mm	black steel
TIRES	AUTHOR Speed Master aramid 29" x 1.75"	AUTHOR Speed Master 29" x 1.75"	AUTHOR Speed Master 29" x 1.75"	AUTHOR Speed Master 29" x 1.75"	AUTHOR Speed Master 29" x 1.75"
PEDALS	AUTHOR Non Slip alloy	AUTHOR Non Slip alloy	AUTHOR Non Slip alloy	AUTHOR Non Slip alloy	AUTHOR Non Slip resin
HANDLEBAR	AUTHOR 15 mm 660 / 680 mm	AUTHOR 15 mm 660 / 680 mm	AUTHOR 25 mm 660 / 680 mm	AUTHOR 25 mm 660 / 680 mm	steel 20 mm 660 / 680 mm
GRIPS	AUTHOR Microtech ErgoGrip	AUTHOR Microtech ErgoGrip	AUTHOR ErgoGrip Lock	AUTHOR ErgoGrip Lock	AUTHOR ErgoGrip
STEM	AUTHOR alloy	AUTHOR alloy	UNO adjustable	UNO adjustable	ZOOM adjustable
SEAT POST	AUTHOR alloy (27.2)	AUTHOR alloy (27.2)	AUTHOR alloy (27.2)	AUTHOR alloy (27.2)	ZOOM alloy (27.2)
SEAT CLAMP	AUTHOR (31.8)	AUTHOR (31.8)	AUTHOR (31.8)	AUTHOR (31.8)	AUTHOR (31.8)
SADDLE	AUTHOR Area Gel	AUTHOR Area Gel	AUTHOR Area Gel	AUTHOR Area Gel	AUTHOR Area
SPEED	30	30	27	27	27
WEIGHT	12,7 kg / 17"	13,3 kg / 17"	14,5 kg / 17"	13,9 kg / 17"	15,4 kg / 17"



	S/T c-t	T/T h	T/T a	H/T	C/S	W/B	S/T ang.	H/T ang.	F/L	B/B drop	B/B width	F/R
CODEX ASL* / AIRLINE ASL* / GRAND ASL* / STRATOS ASL*												
15"	381	550	536	110	450	1057	73.5	70.5	490	60	68	44
17"	432	570	549	120	450	1077	73.5	70.5	490	60	68	44
19"	483	590	566	130	450	1098	73.5	70.5	490	60	68	44
VERTIGO ASL*												
15"	381	550	545	110	450	1064	73.5	70.5	490	60	68	51
17"	432	570	554	120	450	1085	73.5	70.5	490	60	68	51
19"	483	590	568	130	450	1106	73.5	70.5	490	60	68	51

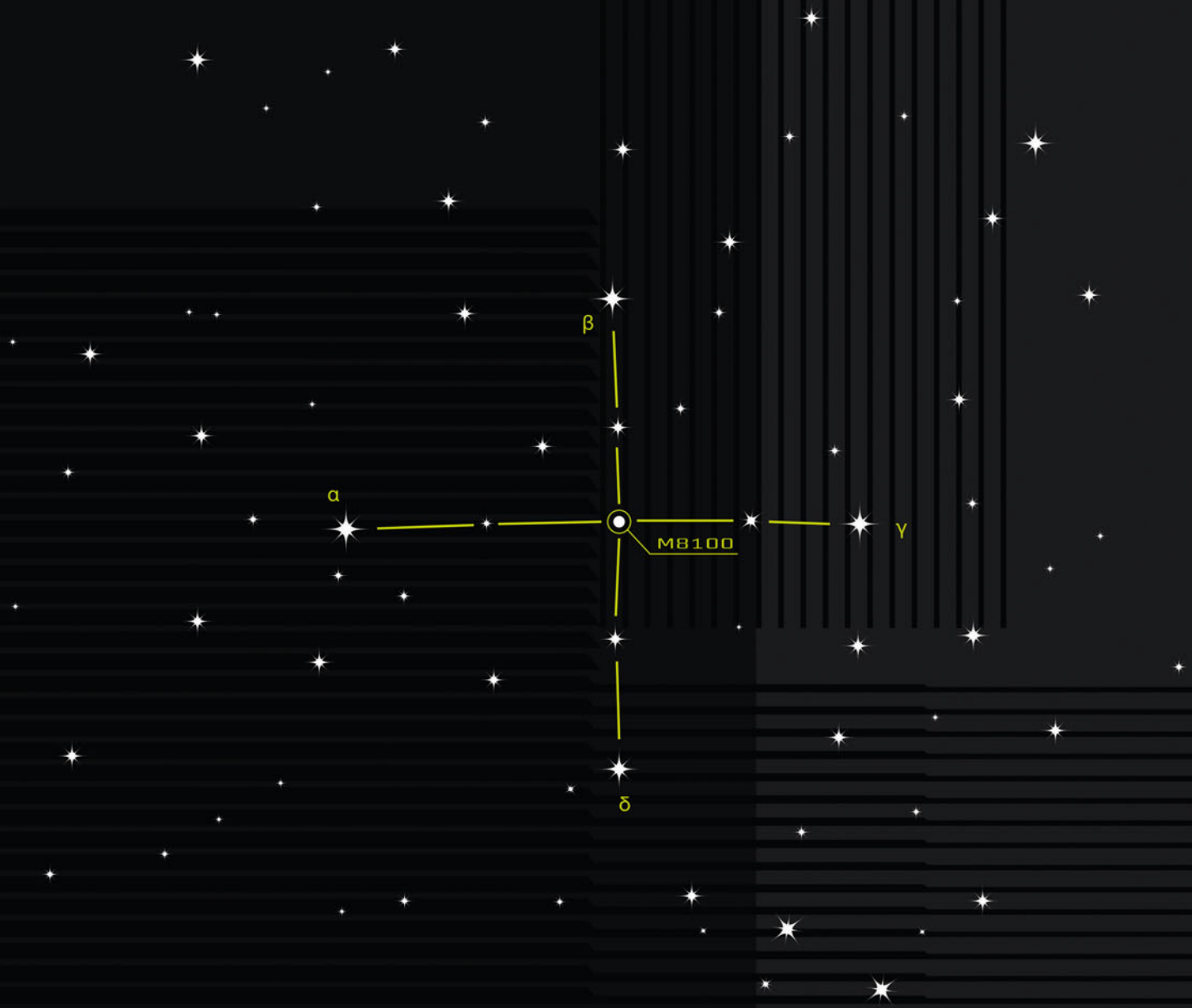
* - 1 1/8" integrated head set PF 50 mm

PF - Press Fit

GEOMETRY TABLE LEGEND:

- S/T c-t - seat tube (center-top)
- T/T h - top tube horizontal
- T/T a - top tube actual
- H/T - head tube
- C/S - chain stay
- W/B - wheel base
- S/T ang. - seat tube angle
- H/T ang. - head tube angle
- F/L - fork length
- B/B drop - bottom bracket drop
- B/B width - bottom bracket width
- F/R - fork rake

Recommended frame size to the body height for each model you can find on our web site www.author.eu



CROSS/CROSS ASL



CLASSIC (A)



CLASSIC (B)



INTEGRA (A)



INTEGRA (B)



HORIZON (A)



HORIZON (B)



LINEA (A)



LINEA (B)



COMPACT (A)



COMPACT (B)



THEMA (A)



THEMA (B)



HORIZON ASL (A)



HORIZON ASL (B)



COMPACT ASL (A)



COMPACT ASL (B)



CLASSIC [A]

FRAME	alloy 6061	CASSETTE	Shimano HG200-9, 9 speed (11-34 teeth)
FORK	RST Neon ML (60 mm travel)	BRAKES	Tektro V
CHAINWHEEL	Suntour NCX (48-36-26 teeth)	TIRES	Author Cross 700 × 38c
REAR DERAILLEUR / SHIFTERS	Shimano Alivio / Acera, 27 speed	WEIGHT	13,9 kg / 20"



CLASSIC [B]

FRAME	alloy 6061	CASSETTE	Shimano HG200-9, 9 speed (11-34 teeth)
FORK	RST Neon ML (60 mm travel)	BRAKES	Tektro V
CHAINWHEEL	Suntour NCX (48-36-26 teeth)	TIRES	Author Cross 700 × 38c
REAR DERAILLEUR / SHIFTERS	Shimano Alivio / Acera, 27 speed	WEIGHT	13,9 kg / 20"



INTEGRA [A]

FRAME	alloy 6061	CASSETTE	Shimano HG200-9, 9 speed (11-34 teeth)
FORK	RST Neon ML (60 mm travel)	BRAKES	Tektro V
CHAINWHEEL	Suntour NCX (44-32-22 teeth)	TIRES	Author Cross 700 × 38c
REAR DERAILLEUR / SHIFTERS	Shimano Alivio / Acera, 27 speed	WEIGHT	13,5 kg / 17"



INTEGRA [B]

FRAME	alloy 6061	CASSETTE	Shimano HG200-9, 9 speed (11-34 teeth)
FORK	RST Neon ML (60 mm travel)	BRAKES	Tektro V
CHAINWHEEL	Suntour NCX (44-32-22 teeth)	TIRES	Author Cross 700 × 38c
REAR DERAILLEUR / SHIFTERS	Shimano Alivio / Acera, 27 speed	WEIGHT	13,5 kg / 17"



HORIZON [A]

FRAME	alloy 6061	CASSETTE	Shimano HG200-8, 8 speed (12-32 teeth)
FORK	RST Nova ML (60 mm travel)	BRAKES	Tektro (6"), hydraulic
CHAINWHEEL	Prowheel (48-38-28 teeth)	TIRES	Author Cross 700 × 38c
REAR DERAILLEUR / SHIFTERS	Shimano TX800 / Acera, 24 speed	WEIGHT	14,3 kg / 20"



HORIZON [B]

FRAME	alloy 6061	CASSETTE	Shimano HG200-8, 8 speed (12-32 teeth)
FORK	RST Nova ML (60 mm travel)	BRAKES	Tektro (6"), hydraulic
CHAINWHEEL	Prowheel (48-38-28 teeth)	TIRES	Author Cross 700 × 38c
REAR DERAILLEUR / SHIFTERS	Shimano TX800 / Acera, 24 speed	WEIGHT	14,3 kg / 20"



LINEA [A]

FRAME	alloy 6061	SPROCKET	Shimano HG200-8, 8 rychlostí (12-32 zubů)
FORK	RST Neon ML (60 mm travel)	BRAKES	Tektro V
CHAINWHEEL	Prowheel (42-34-24 teeth)	TIRES	Author Cross 700 × 38c
REAR DERAILLEUR / SHIFTERS	Shimano TX800, 24 speed	WEIGHT	13,3 kg / 17"



LINEA [B]

FRAME	alloy 6061	SPROCKET	Shimano HG200-8, 8 rychlostí (12-32 zubů)
FORK	RST Neon ML (60 mm travel)	BRAKES	Tektro V
CHAINWHEEL	Prowheel (42-34-24 teeth)	TIRES	Author Cross 700 × 38c
REAR DERAILLEUR / SHIFTERS	Shimano TX800, 24 speed	WEIGHT	13,3 kg / 17"



COMPACT [A]

FRAME	alloy 6061
FORK	RST Neon T (60 mm travel)
CHAINWHEEL	Prowheel (48-38-28 teeth)
REAR DERAILLEUR / SHIFTERS	Shimano TY500 / Shimano, 21 speed

SPROCKET	Shimano MF-TZ510-7, 7 speed (14-28 teeth)
BRAKES	Tektro V
TIRES	Author Cross 700 x 38c
WEIGHT	13,5 kg / 20"



COMPACT [B]

FRAME	alloy 6061
FORK	RST Neon T (60 mm travel)
CHAINWHEEL	Prowheel (48-38-28 teeth)
REAR DERAILLEUR / SHIFTERS	Shimano TY500 / Shimano, 21 speed

SPROCKET	Shimano MF-TZ510-7, 7 speed (14-28 teeth)
BRAKES	Tektro V
TIRES	Author Cross 700 x 38c
WEIGHT	13,5 kg / 20"



THEMA [A]

FRAME	alloy 6061	SPROCKET	Shimano MF-TZ510-7, 7 speed (14-28 teeth)
FORK	hi-ten 700C	BRAKES	Tektro V
CHAINWHEEL	Prowheel (42-34-24 teeth)	TIRES	Author Cross 700 × 38c
REAR DERAILLEUR / SHIFTERS	Shimano TY500 / Shimano, 21 speed	WEIGHT	12,3 kg / 17"



THEMA [B]

FRAME	alloy 6061	SPROCKET	Shimano MF-TZ510-7, 7 speed (14-28 teeth)
FORK	hi-ten 700C	BRAKES	Tektro V
CHAINWHEEL	Prowheel (42-34-24 teeth)	TIRES	Author Cross 700 × 38c
REAR DERAILLEUR / SHIFTERS	Shimano TY500 / Shimano, 21 speed	WEIGHT	12,3 kg / 17"



HORIZON ASL [A]

FRAME	alloy 6061 (ASL)	CASSETTE	Shimano HG200-8, 8 speed (12-32 teeth)
FORK	RST Nova ML (60 mm travel)	BRAKES	Tektro (6"), hydraulic
CHAINWHEEL	Prowheel (42-34-24 teeth)	TIRES	Author Cross 700 × 38c
REAR DERAILLEUR / SHIFTERS	Shimano TX800 / Acera, 24 speed	WEIGHT	14,1 kg / 17"



HORIZON ASL [B]

FRAME	alloy 6061 (ASL)	CASSETTE	Shimano HG200-8, 8 speed (12-32 teeth)
FORK	RST Nova ML (60 mm travel)	BRAKES	Tektro (6"), hydraulic
CHAINWHEEL	Prowheel (42-34-24 teeth)	TIRES	Author Cross 700 × 38c
REAR DERAILLEUR / SHIFTERS	Shimano TX800 / Acera, 24 speed	WEIGHT	14,1 kg / 17"



COMPACT ASL [A]

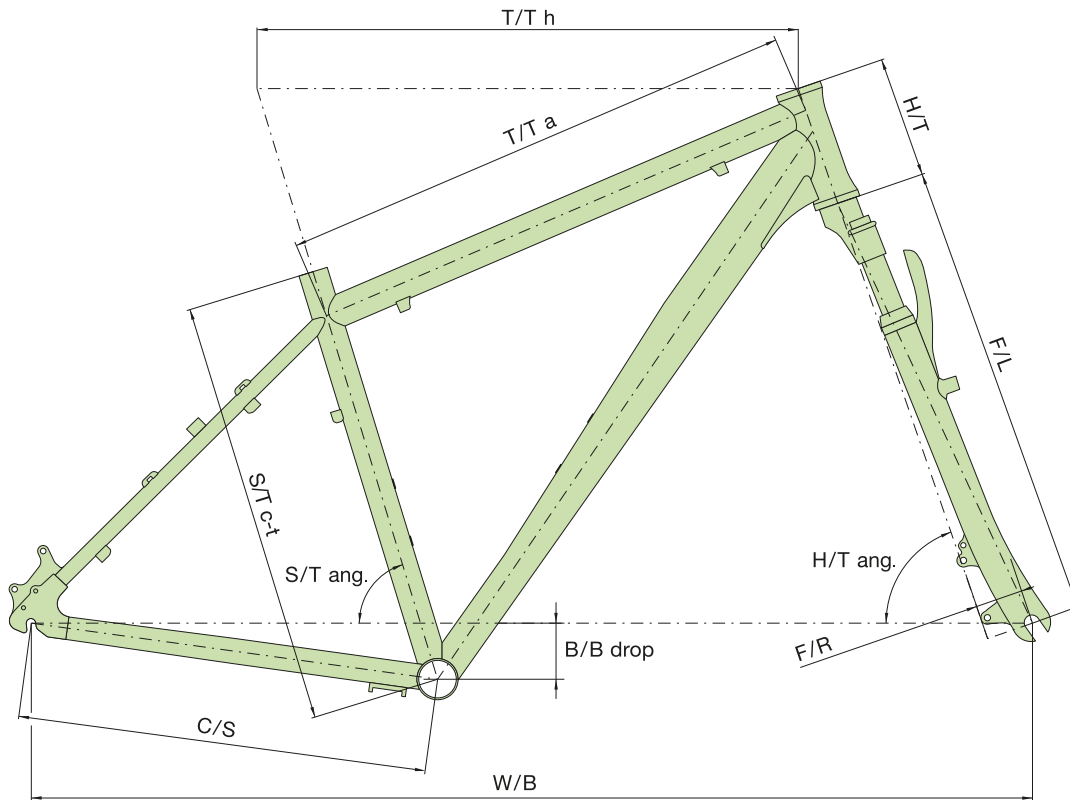
FRAME	alloy 6061 (ASL)	CASSETTE	Shimano MF-TZ510-7, 7 speed (14-28 teeth)
FORK	RST Neon T (60 mm travel)	BRAKES	Tektro V
CHAINWHEEL	Prowheel (42-34-24 teeth)	TIRES	Author Cross 700 × 38c
REAR DERAILLEUR / SHIFTERS	Shimano TY500/ Shimano, 21 speed	WEIGHT	–



COMPACT ASL [B]

FRAME	alloy 6061 (ASL)	CASSETTE	Shimano MF-TZ510-7, 7 speed (14-28 teeth)
FORK	RST Neon T (60 mm travel)	BRAKES	Tektro V
CHAINWHEEL	Prowheel (42-34-24 teeth)	TIRES	Author Cross 700 × 38c
REAR DERAILLEUR / SHIFTERS	Shimano TY500/ Shimano, 21 speed	WEIGHT	–

MODEL	CLASSIC	INTEGRA	HORIZON	LINEA	COMPACT	THEMA	HORIZON ASL	COMPACT ASL
SIZE	18", 20", 22"	17", 19"	16", 18", 20", 22"	17", 19"	18", 20", 22"	17", 19"	15", 17", 19"	15", 17", 19"
FRAME	alloy 6061	alloy 6061 (L)	alloy 6061	alloy 6061 (L)	alloy 6061	alloy 6061 (L)	alloy 6061 (ASL)	alloy 6061 (ASL)
FRONT FORK	RST Neon ML lock out (60 mm)	Neon ML	RST Nova ML lock out (60 mm)	RST Neon ML lock out (60 mm)	RST Neon T (60 mm)	hi-ten	RST Nova ML lock out (60 mm)	RST Neon T (60 mm)
HEAD PARTS	PRESTINE Integrated 1-1/8"	PRESTINE Integrated 1-1/8"	PRESTINE Integrated 1-1/8"	PRESTINE Integrated 1-1/8"	VP COMP 1-1/8"	VP COMP 1-1/8"	PRESTINE Integrated 1-1/8"	VP COMP 1-1/8"
CHAINWHEEL	SUNTOUR NCX 48-36-26 teeth 170 / 175 mm cranks	SUNTOUR NCX 44-32-22 teeth 170 mm cranks	PROWHEEL 48-38-28 teeth 170 / 175 mm cranks	PROWHEEL 42-34-24 teeth 170 / 175 mm cranks	PROWHEEL 48-38-28 teeth 170 mm cranks	PROWHEEL 42-34-24 teeth 170 mm cranks	PROWHEEL 42-34-24 teeth 170 / 175 mm cranks	PROWHEEL 42-34-24 teeth 170 mm cranks
B. B. PARTS	SUNTOUR XCT cartridge	SUNTOUR XCT cartridge	VP COMP cartridge	VP COMP cartridge	VP COMP cartridge	VP COMP cartridge	VP COMP cartridge	VP COMP cartridge
FRONT DERAILLEUR	SHIMANO Altus (31.8)	SHIMANO Altus (31.8)	SHIMANO TY710 (31.8)	SHIMANO TY700 (31.8)	SHIMANO TY510 (31.8)	SHIMANO TY500 (31.8)	SHIMANO TY700 (31.8)	SHIMANO TY510 (31.8)
REAR DERAILLEUR	SHIMANO Alivio	SHIMANO Alivio	SHIMANO TX800	SHIMANO TX800	SHIMANO TY500	SHIMANO TY500	SHIMANO TX800	SHIMANO TY500
SHIFTERS	SHIMANO Acera (27)	SHIMANO Acera (27)	SHIMANO Acera (24)	SHIMANO TX800 (24)	SHIMANO (21)	SHIMANO (21)	SHIMANO Acera (24)	SHIMANO (21)
FREEWHEEL	SHIMANO HG200-9 11-34 (9)	SHIMANO HG200-9 11-34 (9)	SHIMANO HG200-8 12-32 (8)	SHIMANO HG200-8 12-32 (8)	SHIMANO MF-TZ510-7 14-28 (7)	SHIMANO MF-TZ510-7 14-28 (7)	SHIMANO HG200-8 12-32 (8)	SHIMANO MF-TZ510-7 14-28 (7)
CHAIN	KMC Z9	KMC Z9	KMC Z8.3	KMC Z8.3	KMC Z7	KMC Z7	KMC Z8.3	KMC Z7
HUBS	QUANDO 32 holes	QUANDO 32 holes	QUANDO 32 holes	QUANDO 32 holes	QUANDO 36 holes	QUANDO 36 holes	QUANDO 32 holes	QUANDO 36 holes
BRAKES	TEKTRO V	TEKTRO V	TEKTRO disc hydraulic (6" rotors)	TEKTRO V	TEKTRO V	TEKTRO V	TEKTRO disc hydraulic (6" rotors)	TEKTRO V
BRAKE LEVERS	TEKTRO alloy	TEKTRO alloy	TEKTRO alloy	SHIMANO TX800	SHIMANO	SHIMANO	TEKTRO alloy	SHIMANO
RIMS	AUTHOR Argon 29 32 holes	AUTHOR Argon 29 32 holes	AUTHOR Xenon 29 32 holes	alloy 32 holes	alloy 36 holes	alloy 36 holes	AUTHOR Xenon 29 32 holes	alloy 36 holes
SPOKES	black steel	black steel	black steel	black steel	steel	steel	black steel	steel
TIRES	AUTHOR Cross 700 x 38c	AUTHOR Cross 700 x 38c	AUTHOR Cross 700 x 38c	AUTHOR Cross 700 x 38c	AUTHOR Cross 700 x 38c	AUTHOR Cross 700 x 38c	AUTHOR Cross 700 x 38c	AUTHOR Cross 700 x 38c
PEDALS	AUTHOR Non Slip resin	AUTHOR Non Slip resin	AUTHOR Non Slip resin	AUTHOR Non Slip resin	resin	resin	AUTHOR Non Slip resin	resin
HANDLEBAR	steel 20 mm 680mm	steel 20 mm 640 mm	steel 20 mm 680mm	steel 20 mm 640 mm	steel 20 mm 660mm	steel 20 mm 640 mm	steel 20 mm 660 / 680 mm	steel 20 mm 660 mm
GRIPS	AUTHOR ErgoGrip	AUTHOR ErgoGrip	AUTHOR ErgoGrip	AUTHOR ErgoGrip	AUTHOR high density foam	AUTHOR high density foam	AUTHOR ErgoGrip	AUTHOR high density foam
STEM	ZOOM adjustable	ZOOM adjustable	ZOOM alloy	ZOOM alloy	ZOOM alloy	ZOOM alloy	ZOOM alloy	ZOOM alloy
SEAT POST	ZOOM alloy (27.2)	ZOOM alloy (27.2)	ZOOM alloy (27.2)	ZOOM alloy (27.2)	ZOOM alloy (27.2)	ZOOM alloy (27.2)	ZOOM alloy (27.2)	ZOOM alloy (27.2)
SEAT CLAMP	AUTHOR (31.8)	AUTHOR (31.8)	AUTHOR (31.8)	AUTHOR (31.8)	AUTHOR (31.8)	AUTHOR (31.8)	AUTHOR (31.8)	AUTHOR (31.8)
SADDLE	AUTHOR Sphere	AUTHOR Noble	AUTHOR Sphere	AUTHOR Noble	AUTHOR Sphere	AUTHOR Noble	AUTHOR Area	AUTHOR Area
SPEED	27	27	24	24	21	21	24	21
WEIGHT	13,9 kg / 20"	13,5 kg / 17"	14,3 kg / 20"	13,3 kg / 17"	13,5 kg / 20"	12,3 kg / 17"	14,1 kg / 17"	-



	S/T c-t	T/T h	T/T a	H/T	C/S	W/B	S/T ang.	H/T ang.	F/L	B/B drop	B/B width	F/R
CLASSIC*												
18"	457	580	559	150	440	1074	73.0	71.0	470	60	68	51
20"	508	600	575	170	440	1094	73.0	71.0	470	60	68	51
22"	559	620	595	180	440	1115	73.0	71.0	470	60	68	51
HORIZON*												
16"	406	560	550	130	440	1070	74.0	70.5	470	60	68	51
18"	457	580	561	150	440	1085	73.5	70.5	470	60	68	51
20"	508	600	577	170	440	1101	73.5	71.0	470	60	68	51
22"	559	620	594	180	440	1109	73.0	71.5	470	60	68	51
COMPACT*												
18"	457	580	559	120	440	1084	73.5	70.5	470	60	68	51
20"	508	600	577	140	440	1100	73.5	71.0	470	60	68	51
22"	559	620	595	160	440	1108	73.5	71.0	470	60	68	51

* t 1.5" DI – integrated head set 1.5" tapered DI

* – 1 1/8" integrated head set PF 50 mm

DI – Drop In

PF – Press Fit

GEOMETRY TABLE LEGEND:

S/T c-t – seat tube (center-top)

T/T h – top tube horizontal

T/T a – top tube actual

H/T – head tube

C/S – chain stay

W/B – wheel base

S/T ang. – seat tube angle

H/T ang. – head tube angle

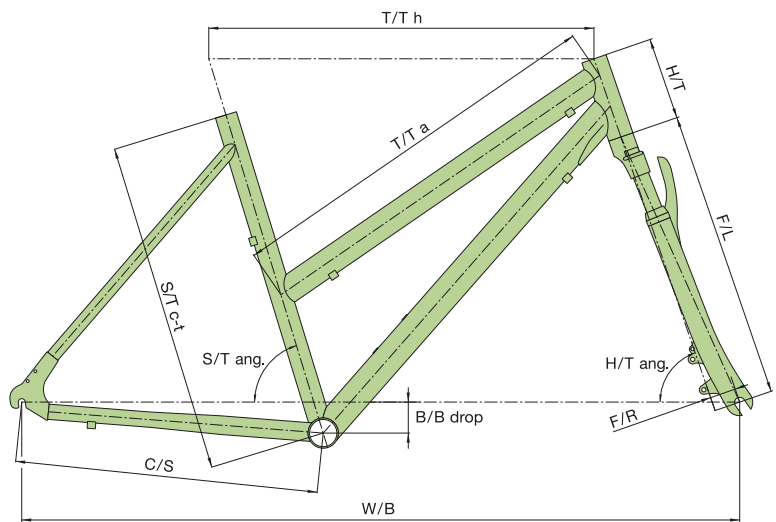
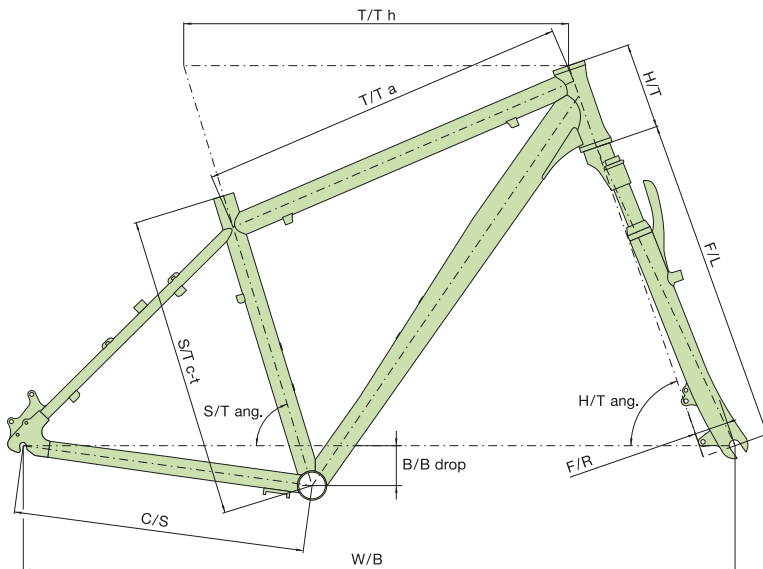
F/L – fork length

B/B drop – bottom bracket drop

B/B width – bottom bracket width

F/R – fork rake

Recommended frame size to the body height for each model you can find on our web site www.author.eu



	S/T ct	T/T h	T/T a	H/T	C/S	W/B	S/T ang.	H/T ang.	F/L	B/B drop	B/B width	F/R
INTEGRA *												
17"	432	565	591	140	440	1070	73.5	70.5	470	60	68	51
19"	483	585	610	150	440	1090	73.5	70.5	470	60	68	51
LINEA *												
17"	432	565	591	140	440	1070	73.5	70.5	470	60	68	51
19"	483	585	610	150	440	1091	73.5	70.5	470	60	68	51
THEMA *												
17"	432	565	582	140	440	1046	73.5	70.5	434	60	68	30
19"	483	585	603	155	440	1067	73.5	70.5	434	60	68	30
HORIZON ASL* / COMPACT ASL*												
15"	381	550	545	130	440	1054	73.5	70.5	470	60	68	51
17"	432	570	554	140	440	1075	73.5	70.5	470	60	68	51
19"	483	590	568	150	440	1095	73.5	70.5	470	60	68	51

* t 1.5" DI – integrated head set 1.5" tapered DI
 * - 1 1/8" integrated head set PF 50 mm

DI – Drop In
 PF – Press Fit

- GEOMETRY TABLE LEGEND:**
- S/T ct – seat tube (center-top)
 - T/T h – top tube horizontal
 - T/T a – top tube actual
 - H/T – head tube
 - C/S – chain stay
 - W/B – wheel base
 - S/T ang. – seat tube angle
 - H/T ang. – head tube angle
 - F/L – fork length
 - B/B drop – bottom bracket drop
 - B/B width – bottom bracket width
 - F/R – fork rake

Recommended frame size to the body height for each model you can find on our web site www.author.eu



CITY



VOYAGE



GLORIA



SIMPLEX [A]



SIMPLEX [B]



VOYAGE [A]

FRAME	alloy 6061 700C	CASSETTE	Shimano HG31-8, 8 speed (11-34 teeth)
FORK	hi-ten 700c	BRAKES	Promax V
CHAINWHEEL	Lasco (38 teeth)	TIRES	CST Sensamo Speed 700 × 35c
REAR DERAILLEUR / SHIFTERS	Shimano Altus / Revoshift, 8 speed	WEIGHT	13,0 kg / 20"



GLORIA [B]

FRAME	alloy 6061 700C	CASSETTE	Shimano HG31-8, 8 speed (11-34 teeth)
FORK	hi-ten 700c	BRAKES	Promax V
CHAINWHEEL	Lasco (38 teeth)	TIRES	CST Sensamo Speed 700 × 35c
REAR DERAILLEUR / SHIFTERS	Shimano Altus / Revoshift, 8 speed	WEIGHT	13,4 kg / 17"



SIMPLEX [A]

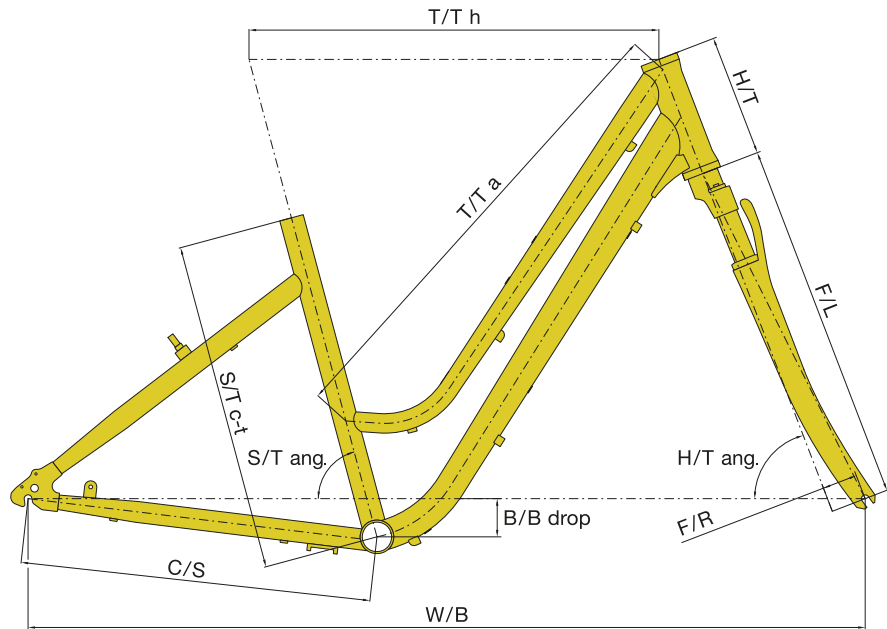
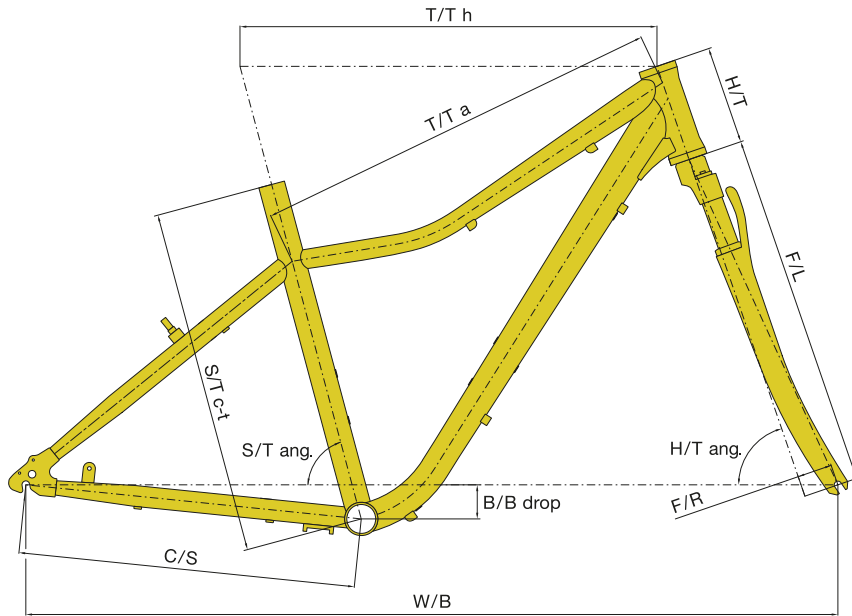
FRAME	alloy 7005 folding	CASSETTE	Shimano HG200-8, 8 speed (11-32 teeth)
FORK	hi-ten 20"	BRAKES	Tektro V
CHAINWHEEL	Prowheel (52 teeth)	TIRES	Kenda 20" × 1.50"
REAR DERAILLEUR / SHIFTERS	Shimano Altus / Revoshift, 8 speed	WEIGHT	12,6 kg / M



SIMPLEX [B]

FRAME	alloy 7005 folding	CASSETTE	Shimano HG200-8, 8 speed (11-32 teeth)
FORK	hi-ten 20"	BRAKES	Tektro V
CHAINWHEEL	Prowheel (52 teeth)	TIRES	Kenda 20" × 1.50"
REAR DERAILLEUR / SHIFTERS	Shimano Altus / Revoshift, 8 speed	WEIGHT	12,6 kg / M

MODEL	VOYAGE	GLORIA	SIMPLEX
SIZE	18", 20", 22"	17", 19"	M
FRAME	alloy 6061 700c	alloy 6061 700c (L)	alloy 7005 folding
FRONT FORK	hi-ten	hi-ten	hi-ten
HEAD PARTS	VP COMP 1-1/8"	VP COMP 1-1/8"	NECO Integrated 1"
CHAINWHEEL	LASCO 38 teeth 170 mm cranks	LASCO 38 teeth 170 mm cranks	PROWHEEL 52 teeth 170 mm cranks
B. B. PARTS	VP comp cartridge	VP comp cartridge	NECO cartridge
FRONT DERAILEUR	-	-	-
REAR DERAILEUR	SHIMANO Altus	SHIMANO Altus	SHIMANO Altus
SHIFTERS	SHIMANO Revoshift (8)	SHIMANO Revoshift (8)	SHIMANO Revoshift (8)
FREEWHEEL	SHIMANO HG-31 11-34 (8)	SHIMANO HG-31 11-34 (8)	SHIMANO HG-200-8 11-32 (8)
CHAIN	KMC 8.1	KMC 8.1	TAYA TB-65
HUBS	QUANDO 32 holes	QUANDO 32 holes	QUANDO 28 holes
BRAKES	PROMAX V	PROMAX V	TEKTRO V
BRAKE LEVERS	PROMAX alloy	PROMAX alloy	TEKTRO alloy
RIMS	aloy 32 holes	aloy 32 holes	alloy 28 holes
SPOKES	steel 2.0 mm	steel 2.0 mm	black steel 2.0 mm
TIRES	CST Sensamo Speed 700 x 35c	CST Sensamo Speed 700 x 35c	KENDA K-193 20" x 1.50"
PEDALS	WELLGO Non Slip alloy	WELLGO Non Slip alloy	resin folding
HANDLEBAR	alloy 30 mm 610 mm	alloy 30 mm 610 mm	alloy
GRIPS	vinyl	vinyl	AUTHOR ErgoGrip
STEM	alloy	alloy	alloy telescopic
SEAT POST	alloy (27.2)	alloy (27.2)	alloy (33.9)
SEAT CLAMP	alloy (31.8)	alloy (31.8)	alloy (40.7)
SADDLE	AUTHOR King Sofa	AUTHOR Queen Sofa	AUTHOR Courier
SPEED	8	8	8
WEIGHT	13,0 kg / 20"	13,4 kg / 17"	12,6 kg / M



	S/T ct	T/T h	T/T a	H/T	C/S	W/B	S/T ang.	H/T ang.	F/L	B/B drop	B/B width	F/R
GLORIA*												
17"	432	536	519	160	459	1089	75.0	69.0	428	50	68	45
19"	483	568	550	160	459	1121	75.0	69.0	428	50	68	45
VOYAGE*												
18"	457	550	532	130	445	1068	75.0	71.0	428	45	68	45
20"	508	555	542	130	445	1072	75.0	71.0	428	45	68	45
22"	558	559	551	150	445	1078	75.0	71.0	428	45	68	45

* - 1 1/8" head set

- GEOMETRY TABLE LEGEND:**
- S/T c-t – seat tube (center-top)
 - T/T h – top tube horizontal
 - T/T a – top tube actual
 - H/T – head tube
 - C/S – chain stay
 - W/B – wheel base
 - S/T ang. – seat tube angle
 - H/T ang. – head tube angle
 - F/L – fork length
 - B/B drop – bottom bracket drop
 - B/B width – bottom bracket width
 - F/R – fork rake

Recommended frame size to the body height for each model you can find on our web site www.author.eu



JUNIOR



ULTRASONIC 27.5



SONIC 27.5



ULTRASONIC 26



CHAMPION 26



LIMIT 26 (A)



LIMIT 26 (B)



A-MATRIX 26D (A)



A-MATRIX 26D (B)



A-MATRIX 26 (A)



A-MATRIX 26 (B)



A-MATRIX 26 (C)



A-MATRIX 26 (D)



ULTRASONIC 24



MIRAGE 24



LIMIT 24 (A)



LIMIT 24 (B)



A-MATRIX SL 24 [A]



A-MATRIX SL 24 [B]



A-MATRIX 24 [A]



A-MATRIX 24 [B]



MATRIX 24 [A]



MATRIX 24 [B]



ULTIMA 24 [A]



ULTIMA 24 [B]



RECORD 20 (A)



RECORD 20 (B)



SMART 20



COSMIC 20 (A)



COSMIC 20 (B)



COSMIC 20 (C)



COSMIC 20 (D)



ENERGY 20 (A)



ENERGY 20 (B)



MELODY 20



RECORD 16 [A]



RECORD 16 [B]



RECORD 16 [C]



STYLO 16 [A]



STYLO 16 [B]



BELLO 16 [A]



BELLO 16 [B]



ORBIT 16 [A]



ORBIT 16 [B]

SHIMANO
1x11



ULTRASONIC 27.5

FRAME	triple butted hydroformed alloy 6061, 14" and 16"	CASSETTE	Shimano M5100-11, 11 speed (11-51 teeth)
FORK	RST F1RST 27.5 (80 mm travel)	BRAKES	Tektro Gemini WS (6"), hydraulic
CHAINWHEEL	Prowheel (32 teeth)	TIRES	CST B-Trail 27.5" × 2.25", aramid
REAR DERAILLEUR / SHIFTERS	Shimano Deore, 11 speed	WEIGHT	11,5 kg / 16"

SHIMANO
1x10



SONIC 27.5

FRAME	triple butted hydroformed alloy 6061, 14" and 16"	CASSETTE	Shimano M4100-10, 10 speed (11-46 teeth)
FORK	RST Aerial 27.5 TnL (80 mm travel)	BRAKES	Tektro Auriga WS (6"), hydraulic
CHAINWHEEL	Prowheel (32 teeth)	TIRES	CST B-Trail 27.5" × 2.25", aramid
REAR DERAILLEUR / SHIFTERS	Shimano Deore, 10 speed	WEIGHT	12,2 kg / 16"

SHIMANO
1x10



ULTRASONIC 26

FRAME	triple butted hydroformed alloy 6061 13.5"	CASSETTE	Shimano HG500-10, 10 speed (11-42 teeth)
FORK	alloy 6061 26"	BRAKES	Promax (6"), hydraulic
CHAINWHEEL	Suntour Zeron (32 teeth)	TIRES	CST B-Trail 26" x 2.10", aramid
REAR DERAILLEUR / SHIFTERS	Shimano Deore, 10 speed	WEIGHT	10,5 kg / 13.5"

SHIMANO
1x10



CHAMPION 26

FRAME	triple butted hydroformed alloy 6061 13.5"	CASSETTE	Shimano HG500-10, 10 speed (11-42 teeth)
FORK	alloy 6061 26"	BRAKES	Tektro V
CHAINWHEEL	Suntour Zeron (32 teeth)	TIRES	CST B-Trail 26" x 2.10", aramid
REAR DERAILLEUR / SHIFTERS	Shimano Deore, 10 speed	WEIGHT	10 kg / 13.5"



LIMIT 26 [A]

FRAME	alloy 6061 13.5" a 15.5"	CASSETTE	Shimano HG31, 8 speed (11-34 teeth)
FORK	alloy 26"	BRAKES	Tektro V
CHAINWHEEL	Prowheel (32 teeth)	TIRES	Kenda Small Block Eight 26" x 1.95"
REAR DERAILLEUR / SHIFTERS	Shimano TX800 / Acera, 8 speed	WEIGHT	10,8 kg / 13.5"



LIMIT 26 [B]

FRAME	alloy 6061 13.5" a 15.5"	CASSETTE	Shimano HG31, 8 speed (11-34 teeth)
FORK	alloy 26"	BRAKES	Tektro V
CHAINWHEEL	Prowheel (32 teeth)	TIRES	Kenda Small Block Eight 26" x 1.95"
REAR DERAILLEUR / SHIFTERS	Shimano TX800 / Acera, 8 speed	WEIGHT	10,8 kg / 13.5"

SHIMANO
1x9



A-MATRIX 26D [A]

FRAME	alloy 6061 13.5"	CASSETTE	Shimano HG200-9, 9 speed (11-36 teeth)
FORK	RST Capa T 26 (80 mm travel)	BRAKES	Tektro (6"), mechanical
CHAINWHEEL	Prowheel (32 teeth)	TIRES	Author Speed Master 26" x 2.00"
REAR DERAILLEUR / SHIFTERS	Shimano Altus, 9 speed	WEIGHT	12,9 kg / 13.5"

SHIMANO
1x9



A-MATRIX 26D [B]

FRAME	alloy 6061 13.5"	CASSETTE	Shimano HG200-9, 9 speed (11-36 teeth)
FORK	RST Capa T 26 (80 mm travel)	BRAKES	Tektro (6"), mechanical
CHAINWHEEL	Prowheel (32 teeth)	TIRES	Author Speed Master 26" x 2.00"
REAR DERAILLEUR / SHIFTERS	Shimano Altus, 9 speed	WEIGHT	12,9 kg / 13.5"



A-MATRIX 26 [A]

FRAME	alloy 6061 13.5"	SPROCKET	Shimano MF-TZ510-6, 6 speed (14-28 teeth)
FORK	RST Capa T 26 (80 mm travel)	BRAKES	Tektro V
CHAINWHEEL	Prowheel (42-34-24 teeth)	TIRES	Author Speed Master 26" x 2.00"
REAR DERAILLEUR / SHIFTERS	Shimano TY20 / Revoshift, 18 speed	WEIGHT	12,6 kg / 13.5"



A-MATRIX 26 [B]

FRAME	alloy 6061 13.5"	SPROCKET	Shimano MF-TZ510-6, 6 speed (14-28 teeth)
FORK	RST Capa T 26 (80 mm travel)	BRAKES	Tektro V
CHAINWHEEL	Prowheel (42-34-24 teeth)	TIRES	Author Speed Master 26" x 2.00"
REAR DERAILLEUR / SHIFTERS	Shimano TY20 / Revoshift, 18 speed	WEIGHT	12,6 kg / 13.5"



A-MATRIX 26 [C]

FRAME	alloy 6061 13.5"
FORK	RST Capa T 26 (80 mm travel)
CHAINWHEEL	Prowheel (42-34-24 teeth)
REAR DERAILLEUR / SHIFTERS	Shimano TY20 / Revoshift, 18 speed

SPROCKET	Shimano MF-TZ510-6, 6 speed (14-28 teeth)
BRAKES	Tektro V
TIRES	Author Speed Master 26" x 2.00"
WEIGHT	12,6 kg / 13.5"



A-MATRIX 26 [D]

FRAME	alloy 6061 13.5"
FORK	RST Capa T 26 (80 mm travel)
CHAINWHEEL	Prowheel (42-34-24 teeth)
REAR DERAILLEUR / SHIFTERS	Shimano TY20 / Revoshift, 18 speed

SPROCKET	Shimano MF-TZ510-6, 6 speed (14-28 teeth)
BRAKES	Tektro V
TIRES	Author Speed Master 26" x 2.00"
WEIGHT	12,6 kg / 13.5"

SHIMANO
1x9



ULTRASONIC 24

FRAME	triple butted hydroformed alloy 6061 12"	CASSETTE	Shimano HG400-9, 9 speed (11-36 teeth)
FORK	alloy 24"	BRAKES	Tektro V
CHAINWHEEL	Lasco XCD-S (32 teeth)	TIRES	Kenda Small Block Eight 24" x 1.95", aramid
REAR DERAILLEUR / SHIFTERS	Shimano Alivio, 9 speed	WEIGHT	9,8 kg / 12"

SHIMANO
1x9



MIRAGE 24

FRAME	triple butted hydroformed alloy 6061 12"	CASSETTE	Shimano HG200-9, 9 speed (11-36 teeth)
FORK	RST Capa T 24 (50 mm travel)	BRAKES	Tektro (5"), mechanical
CHAINWHEEL	Lasco FM25 (32 teeth)	TIRES	Kenda Small Block Eight 24" x 1.95", aramid
REAR DERAILLEUR / SHIFTERS	Shimano Alivio, 9 speed	WEIGHT	11,6 kg / 12"



LIMIT 24 [A]

FRAME	alloy 6061 12.5"	CASSETTE	Shimano HG31, 8 speed (11-34 teeth)
FORK	alloy 24"	BRAKES	Tektro V
CHAINWHEEL	Prowheel (32 teeth)	TIRES	Kenda Small Block Eight 24" x 1.95"
REAR DERAILLEUR/ SHIFTERS	Shimano TX800 / Revoshift, 8 speed	WEIGHT	-



LIMIT 24 [B]

FRAME	alloy 6061 12.5"	CASSETTE	Shimano HG31, 8 speed (11-34 teeth)
FORK	alloy 24"	BRAKES	Tektro V
CHAINWHEEL	Prowheel (32 teeth)	TIRES	Kenda Small Block Eight 24" x 1.95"
REAR DERAILLEUR/ SHIFTERS	Shimano TX800 / Revoshift, 8 speed	WEIGHT	-



A-MATRIX SL 24 [A]

FRAME	alloy 6061 12.5" (ASL)	CASSETTE	Shimano HG31, 8 speed (11-34 teeth)
FORK	RST Capa T 24 (50 mm travel)	BRAKES	Tektro V
CHAINWHEEL	Prowheel (32 teeth)	TIRES	Author Speed Master 24" x 1.75"
REAR DERAILLEUR / SHIFTERS	Shimano TX800 / Revoshift, 8 speed	WEIGHT	11,4 kg / 12.5"



A-MATRIX SL 24 [B]

FRAME	alloy 6061 12.5" (ASL)	CASSETTE	Shimano HG31, 8 speed (11-34 teeth)
FORK	RST Capa T 24 (50 mm travel)	BRAKES	Tektro V
CHAINWHEEL	Prowheel (32 teeth)	TIRES	Author Speed Master 24" x 1.75"
REAR DERAILLEUR / SHIFTERS	Shimano TX800 / Revoshift, 8 speed	WEIGHT	11,4 kg / 12.5"



A-MATRIX 24 [A]

FRAME	alloy 6061 12.5"	SPROCKET	Shimano MF-TZ510-6, 6 speed (14-28 teeth)
FORK	RST Capa T 24 (50 mm travel)	BRAKES	Tektro V
CHAINWHEEL	Prowheel (42-34-24 teeth)	TIRES	Author Speed Master 24" x 1.75"
REAR DERAILLEUR / SHIFTERS	Shimano TY20 / Revoshift, 18 speed	WEIGHT	11,7 kg / 12.5"



A-MATRIX 24 [B]

FRAME	alloy 6061 12.5"	SPROCKET	Shimano MF-TZ510-6, 6 speed (14-28 teeth)
FORK	RST Capa T 24 (50 mm travel)	BRAKES	Tektro V
CHAINWHEEL	Prowheel (42-34-24 teeth)	TIRES	Author Speed Master 24" x 1.75"
REAR DERAILLEUR / SHIFTERS	Shimano TY20 / Revoshift, 18 speed	WEIGHT	11,7 kg / 12.5"



MATRIX 24 [A]

FRAME	hi-ten 12.5"	SPROCKET	Shimano MF-TZ510-6, 6 speed (14-28 teeth)
FORK	Zoom (40 mm travel)	BRAKES	Tektro V
CHAINWHEEL	Prowheel (42-34-24 teeth)	TIRES	Author Speed Master 24" x 1.75"
REAR DERAILEUR / SHIFTERS	Shimano TY20 / Revoshift, 18 speed	WEIGHT	13,1 kg / 12.5"



MATRIX 24 [B]

FRAME	hi-ten 12.5"	SPROCKET	Shimano MF-TZ510-6, 6 speed (14-28 teeth)
FORK	Zoom (40 mm travel)	BRAKES	Tektro V
CHAINWHEEL	Prowheel (42-34-24 teeth)	TIRES	Author Speed Master 24" x 1.75"
REAR DERAILEUR / SHIFTERS	Shimano TY20 / Revoshift, 18 speed	WEIGHT	13,1 kg / 12.5"



ULTIMA 24 [A]

FRAME	alloy 6061 12.5"
FORK	hi-ten 24"
CHAINWHEEL	Prowheel (32 teeth)
REAR DERAILLEUR / SHIFTERS	Shimano TX800 / Revoshift, 8 speed

CASSETTE	Shimano HG31, 8 speed (11-34 teeth)
BRAKES	Tektro V
TIRES	24" x 1.50"
WEIGHT	10,5 kg / 12.5"



ULTIMA 24 [B]

FRAME	alloy 6061 12.5"
FORK	hi-ten 24"
CHAINWHEEL	Prowheel (32 teeth)
REAR DERAILLEUR / SHIFTERS	Shimano TX800 / Revoshift, 8 speed

CASSETTE	Shimano HG31, 8 speed (11-34 teeth)
BRAKES	Tektro V
TIRES	24" x 1.50"
WEIGHT	10,5 kg / 12.5"



RECORD 20 [A]

FRAME	alloy 6061 10"	CASSETTE	Shimano HG200-7, 7 speed (12-32 teeth)
FORK	alloy 20"	BRAKES	Tektro V
CHAINWHEEL	Prowheel (36 teeth)	TIRES	Kenda Small Block Eight 20" x 1.75", aramid
REAR DERAILLEUR / SHIFTERS	Shimano TY300 / Revoshift, 7 speed	WEIGHT	8,6 kg / 10"



RECORD 20 [B]

FRAME	alloy 6061 10"	CASSETTE	Shimano HG200-7, 7 speed (12-32 teeth)
FORK	alloy 20"	BRAKES	Tektro V
CHAINWHEEL	Prowheel (36 teeth)	TIRES	Kenda Small Block Eight 20" x 1.75", aramid
REAR DERAILLEUR / SHIFTERS	Shimano TY300 / Revoshift, 7 speed	WEIGHT	8,6 kg / 10"



SMART 20

FRAME	alloy 6061 10"	SPROCKET	Shimano MF-TZ500-6, 6 speed (14-28 teeth)
FORK	RST Capa T 20 (50 mm travel)	BRAKES	Tektro V
CHAINWHEEL	Prowheel (36 teeth)	TIRES	Author Speed Master 20" x 1.75"
REAR DERAILLEUR / SHIFTERS	Shimano TY20 / Revoshift, 6 speed	WEIGHT	10,0 kg / 10"





COSMIC 20 [A]

FRAME	alloy 6061 10"	SPROCKET	Shimano MF-TZ510-6, 6 speed (14-28 teeth)
FORK	hi-ten 20"	BRAKES	Tektro V
CHAINWHEEL	Prowheel (36 teeth)	TIRES	Author Speed Master 20" × 1.75"
REAR DERAILLEUR / SHIFTERS	Shimano TY20 / Revoshift, 6 speed	WEIGHT	8,8 kg / 10"



COSMIC 20 [B]

FRAME	alloy 6061 10"	SPROCKET	Shimano MF-TZ510-6, 6 speed (14-28 teeth)
FORK	hi-ten 20"	BRAKES	Tektro V
CHAINWHEEL	Prowheel (36 teeth)	TIRES	Author Speed Master 20" × 1.75"
REAR DERAILLEUR / SHIFTERS	Shimano TY20 / Revoshift, 6 speed	WEIGHT	8,8 kg / 10"



COSMIC 20 (C)

FRAME	alloy 6061 10"
FORK	hi-ten 20"
CHAINWHEEL	Prowheel (36 teeth)
REAR DERAILLEUR / SHIFTERS	Shimano TY20 / Revoshift, 6 speed

SPROCKET	Shimano MF-TZ510-6, 6 speed (14-28 teeth)
BRAKES	Tekro V
TIRES	Author Speed Master 20" x 1.75"
WEIGHT	8,8 kg / 10"



COSMIC 20 (D)

FRAME	alloy 6061 10"
FORK	hi-ten 20"
CHAINWHEEL	Prowheel (36 teeth)
REAR DERAILLEUR / SHIFTERS	Shimano TY20 / Revoshift, 6 speed

SPROCKET	Shimano MF-TZ510-6, 6 speed (14-28 teeth)
BRAKES	Tekro V
TIRES	Author Speed Master 20" x 1.75"
WEIGHT	8,8 kg / 10"



ENERGY 20 [A]

FRAME	hi-ten 10"	SPROCKET	Shimano MF-TZ510-6, 6 speed (14-28 teeth)
FORK	hi-ten 20"	BRAKES	Tektro V
CHAINWHEEL	Prowheel (36 teeth)	TIRES	Author Speed Master 20" × 1.75"
REAR DERAILLEUR / SHIFTERS	Shimano TY20 / Revoshift, 6 speed	WEIGHT	10,6 kg / 10"



ENERGY 20 [B]

FRAME	hi-ten 10"	SPROCKET	Shimano MF-TZ510-6, 6 speed (14-28 teeth)
FORK	hi-ten 20"	BRAKES	Tektro V
CHAINWHEEL	Prowheel (36 teeth)	TIRES	Author Speed Master 20" × 1.75"
REAR DERAILLEUR / SHIFTERS	Shimano TY20 / Revoshift, 6 speed	WEIGHT	10,6 kg / 10"



MELODY 20

FRAME	alloy 6061 10"	SPROCKET	Shimano MF-TZ510-6, 6 speed (14-28 teeth)
FORK	hi-ten 20"	BRAKES	Tektro V
CHAINWHEEL	Prowheel (36 teeth)	TIRES	20" x 1.50"
REAR DERAILLEUR / SHIFTERS	Shimano TY20 / Revoshift, 6 speed	WEIGHT	10,3 kg / 10"



RECORD 16 [A]

FRAME	alloy 6061 9"	BRAKES	Tektro V
FORK	alloy 16"	TIRES	Kenda Small Block Eight 16" x 1.50"
CHAINWHEEL	Lasco (32 teeth)	WEIGHT	6,5 kg / 9"
SPROCKET	1 speed (16 teeth)		



RECORD 16 [B]

FRAME	alloy 6061 9"	BRAKES	Tektro V
FORK	alloy 16"	TIRES	Kenda Small Block Eight 16" x 1.50"
CHAINWHEEL	Lasco (32 teeth)	WEIGHT	6,5 kg / 9"
SPROCKET	1 speed (16 teeth)		



RECORD 16 [C]

FRAME	alloy 6061 9"	BRAKES	Tektro V
FORK	alloy 16"	TIRES	Kenda Small Block Eight 16" x 1.50"
CHAINWHEEL	Lasco (32 teeth)	WEIGHT	6,5 kg / 9"
SPROCKET	1 speed (16 teeth)		



STYLO 16 [A]

FRAME	alloy 6061 9"	BRAKES	Tektro V / coasterhub
FORK	hi-ten 16"	TIRES	16" x 1.75"
CHAINWHEEL	Prowheel (32 teeth)	WEIGHT	7,8 kg / 9"
SPROCKET	1 speed (16 teeth)		



STYLO 16 [B]

FRAME	alloy 6061 9"	BRAKES	Tektro V / coasterhub
FORK	hi-ten 16"	TIRES	16" x 1.75"
CHAINWHEEL	Prowheel (32 teeth)	WEIGHT	7,8 kg / 9"
SPROCKET	1 speed (16 teeth)		



BELLO 16 [A]

FRAME	alloy 6061 9"	BRAKES	Tektro V / coasterhub
FORK	hi-ten 16"	TIRES	16" × 1.50"
CHAINWHEEL	Prowheel (32 teeth)	WEIGHT	7,9 kg / 9"
SPROCKET	1 speed (16 teeth)		



BELLO 16 [B]

FRAME	alloy 6061 9"	BRAKES	Tektro V / coasterhub
FORK	hi-ten 16"	TIRES	16" × 1.50"
CHAINWHEEL	Prowheel (32 teeth)	WEIGHT	7,9 kg / 9"
SPROCKET	1 speed (16 teeth)		



ORBIT 16 [A]

FRAME	hi-ten 9"	BRAKES	Tektro V / coasterhub
FORK	hi-ten 16"	TIRES	16" x 1.75"
CHAINWHEEL	Prowheel (32 teeth)	WEIGHT	9,2 kg / 9"
SPROCKET	1 speed (16 teeth)		



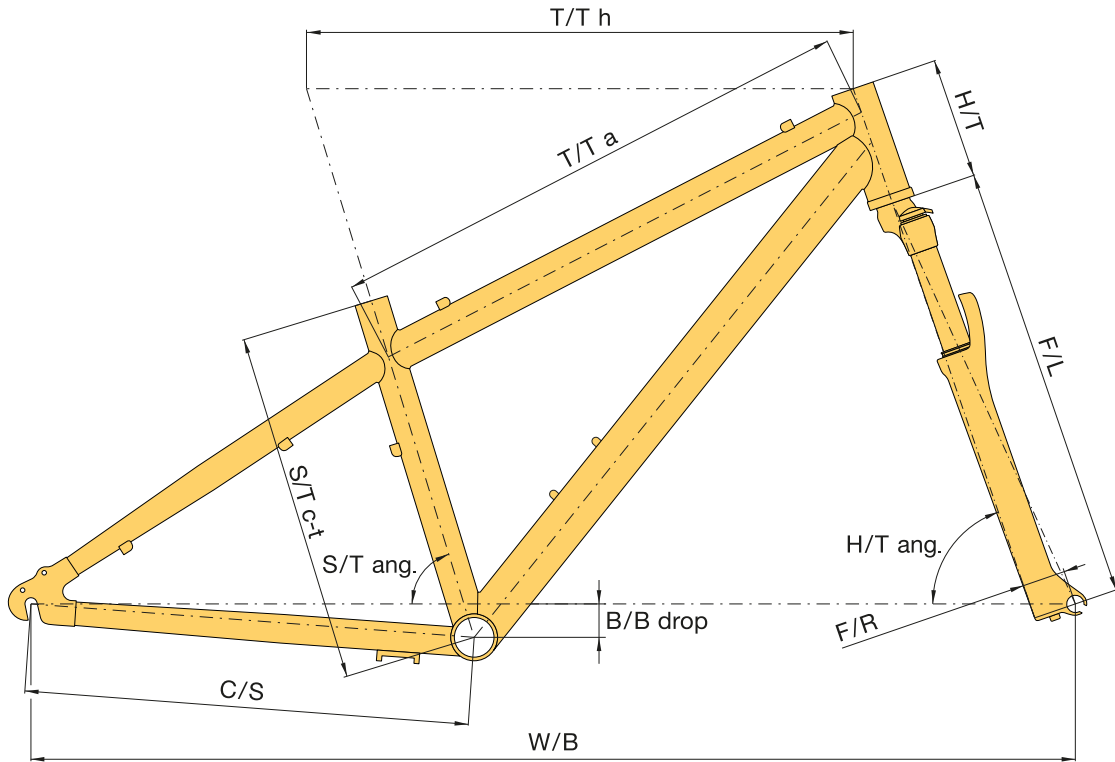
ORBIT 16 [B]

FRAME	hi-ten 9"	BRAKES	Tektro V / coasterhub
FORK	hi-ten 16"	TIRES	16" x 1.75"
CHAINWHEEL	Prowheel (32 teeth)	WEIGHT	9,2 kg / 9"
SPROCKET	1 speed (16 teeth)		

MODEL	ULTRASONIC 27.5	SONIC 27.5	ULTRASONIC 26	CHAMPION 26	LIMIT 26	A-MATRIX 26 DISC	A-MATRIX 26
SIZE	14", 16"	14", 16"	13.5"	13.5"	13.5", 15.5"	13.5"	13.5"
FRAME	triple butted hydroformed alloy 6061 27.5"	triple butted hydroformed alloy 6061 27.5"	triple butted hydroformed alloy 6061 26"	triple butted hydroformed alloy 6061 26"	alloy 6061 26"	alloy 6061 26"	alloy 6061 26"
FRONT FORK	RST F1RST 27.5 air, lock out (80 mm)	RST Aerial 27.5 TnL air, lock out (80 mm)	alloy 6061 26"	alloy 6061 26"	alloy 6061 26"	RST Capa T 26 (80 mm)	RST Capa T 26 (80 mm)
HEAD PARTS	AUTHOR Integrated 1.5" tapered	AUTHOR Integrated 1.5" tapered	AUTHOR Integrated 1.5" tapered	AUTHOR Integrated 1.5" tapered	PRESTINE 1-1/8"	PRESTINE 1-1/8"	PRESTINE 1-1/8"
CHAINWHEEL	PROWHEEL 32 teeth 165 / 170 mm cranks	PROWHEEL 32 teeth 165 / 170 mm cranks	SUNTOUR Zeron 32 teeth 160 mm cranks	SUNTOUR Zeron 32 teeth 160 mm cranks	PROWHEEL 32 teeth 152 mm cranks	PROWHEEL 32 teeth 152 mm cranks	PROWHEEL 42-34-24 teeth 152 mm cranks
B.B. PARTS	SUNTOUR BB unit	SUNTOUR BB unit	SUNTOUR BB unit	SUNTOUR BB unit	VP COMP cartridge	VP COMP cartridge	VP COMP cartridge
FRONT DERAILLEUR	-	-	-	-	-	-	SHIMANO TY500 (31.8)
REAR DERAILLEUR	SHIMANO SLX	SHIMANO Deore	SHIMANO Deore	SHIMANO Deore	SHIMANO TX800	SHIMANO Altus	SHIMANO TY200
SHIFTERS	SHIMANO SLX (11)	SHIMANO Deore (10)	SHIMANO Deore (10)	SHIMANO Deore (10)	SHIMANO Acera (8)	SHIMANO Altus (9)	SHIMANO Revoshift (18)
FREEWHEEL	SHIMANO M5100-11 11-51 (11)	SHIMANO M4100-10 11-46 (10)	SHIMANO HG500-10 11-42 (10)	SHIMANO HG500-10 11-42 (10)	SHIMANO HG31-8 11-34 (8)	SHIMANO HG200-9 11-36 (9)	SHIMANO MF-TZ510-6 14-28 (6)
CHAIN	KMC X11	KMC X10	KMC X10	KMC X10	KMC Z8.3	KMC Z9	KMC Z6
HUBS	AUTHOR Xenon 32 holes	QUANDO Disc 32 holes	AUTHOR Xenon 32 holes	QUANDO 32 holes	QUANDO 32 holes	QUANDO Disc 32 holes	QUANDO 32 holes
BRAKES	TEKTRO Gemini disc hydraulic (6" rotors)	TEKTRO Auriga disc hydraulic (6" rotors)	PROMAX disc hydraulic (6" rotors)	TEKTRO V	TEKTRO V	TEKTRO disc mechanical (6" rotors)	TEKTRO V
BRAKE LEVERS	TEKTRO Gemini WS	TEKTRO Auriga WS	PROMAX	TEKTRO alloy	TEKTRO plastic / alloy	TEKTRO plastic / alloy	TEKTRO plastic / alloy
RIMS	AUTHOR Xenon Pro 27.5 32 holes	AUTHOR Xenon Pro 27.5 32 holes	AUTHOR Argon 26 32 holes	AUTHOR Argon 26 32 holes	alloy 32 holes	alloy 32 holes	alloy 32 holes
SPOKES	black stainless steel 2.0 mm	black stainless steel 2.0 mm	black stainless steel 2.0 mm	black stainless steel 2.0 mm	steel	black steel	black steel
TIRES	CST B-Trail aramid 27.5" x 2.25"	CST B-Trail aramid 27.5" x 2.25"	CST B-Trail aramid 26" x 2.10"	CST B-Trail aramid 26" x 2.10"	KENDA Small Block Eight 26" x 1.95"	AUTHOR Speed Master 26" x 2.00"	AUTHOR Speed Master 26" x 2.00"
PEDALS	alloy	alloy	alloy	alloy	resin	resin	resin
HANDLEBAR	AUTHOR Flat Top bar 9° 620 / 640 mm	AUTHOR Flat Top bar 9° 620 / 640 mm	AUTHOR Flat Top bar 0 mm 600 mm	AUTHOR Flat Top bar 0 mm 600 mm	steel 20 mm 620 mm	steel 20 mm 620 mm	steel 20 mm 620 mm
GRIPS	AUTHOR kratton rubber	AUTHOR kratton rubber	AUTHOR kratton rubber	AUTHOR kratton rubber	AUTHOR kratton rubber	AUTHOR kratton rubber	AUTHOR kratton rubber
STEM	AUTHOR alloy	AUTHOR alloy	AUTHOR alloy	AUTHOR alloy	alloy	alloy	alloy
SEAT POST	AUTHOR alloy (31.6)	AUTHOR alloy (31.6)	AUTHOR alloy (31.6)	AUTHOR alloy (31.6)	alloy (27.2)	alloy (27.2)	alloy (27.2)
SEAT CLAMP	AUTHOR (34.9)	AUTHOR (34.9)	AUTHOR (34.9)	AUTHOR (34.9)	AUTHOR (31.8)	AUTHOR (31.8)	AUTHOR (31.8)
SADDLE	AUTHOR Champion Author Navigator	AUTHOR Champion	AUTHOR Champion CR	AUTHOR Champion	AUTHOR	AUTHOR	AUTHOR
SPEED	11	10	10	10	8	9	18
WEIGHT	11,5 kg / 16"	12,2 kg / 16"	10,5 kg / 13.5"	10 kg / 13.5"	10,8 kg / 13.5"	12,9 kg / 13.5"	12,6 kg / 13.5"

MODEL	ULTRASONIC 24	MIRAGE 24	LIMIT 24	A-MATRIX SL 24	A-MATRIX 24	MATRIX 24	ULTIMA 24
SIZE	12"	12"	12.5"	12.5"	12.5"	12.5"	12.5"
FRAME	triple butted hydroformed alloy 6061 24"	triple butted hydroformed alloy 6061 24"	alloy 6061 24"	alloy 6061 24" (ASL)	alloy 6061 24"	hi-ten 24"	alloy 6061 24" (L)
FRONT FORK	alloy 6061 24"	RST Capa T 24 (50 mm)	alloy 6061 24"	RST Capa T 24 (50 mm)	RST Capa T 24 (50 mm)	ZOOM (40 mm)	hi-ten
HEAD PARTS	AUTHOR Integrated 1.5" tapered	AUTHOR Integrated 1.5" tapered	PRESTINE 1-1/8"	PRESTINE 1-1/8"	PRESTINE 1-1/8"	PRESTINE 1-1/8"	PRESTINE 1-1/8"
CHAINWHEEL	LASCO 32 teeth 150 mm cranks	LASCO 32 teeth 150 mm cranks	PROWHEEL 32 teeth 152 mm cranks	PROWHEEL 32 teeth 152 mm cranks	PROWHEEL 42-34-24 teeth 152 mm cranks	PROWHEEL 42-34-24 teeth 152 mm cranks	PROWHEEL 32 teeth 152 mm cranks
B.B. PARTS	VP COMP cartridge	VP COMP cartridge	VP COMP cartridge	VP COMP cartridge	VP COMP cartridge	VP COMP cartridge	VP COMP cartridge
FRONT DERAILEUR	-	-	-	-	SHIMANO TY500 (31.8)	SHIMANO TY500 (28.6)	-
REAR DERAILEUR	SHIMANO Alivio	SHIMANO Alivio	SHIMANO TX800	SHIMANO TX800	SHIMANO TY200	SHIMANO TY200	SHIMANO TX800
SHIFTERS	SHIMANO Alivio (9)	SHIMANO Alivio (9)	SHIMANO Revoshift (8)	SHIMANO Revoshift (8)	SHIMANO Revoshift (18)	SHIMANO Revoshift (18)	SHIMANO Revoshift (8)
FREEWHEEL	SHIMANO HG400-9 11-36 (9)	SHIMANO HG200-9 11-36 (9)	SHIMANO HG31-8 11-34 (8)	SHIMANO HG31-8 11-34 (8)	SHIMANO MF-TZ510-6 14-28 (6)	SHIMANO MF-TZ510-6 14-28 (6)	SHIMANO HG31-8 11-34 (8)
CHAIN	KMC Z9	KMC Z9	KMC Z8.3	KMC Z8.3	KMC Z6	KMC Z6	KMC 8.1
HUBS	QUANDO 24 holes	QUANDO Disc 32 holes	QUANDO 32 holes	QUANDO 32 holes	QUANDO 32 holes	steel 32 holes	QUANDO 32 holes
BRAKES	TEKTRO V	TEKTRO disc mechanical (5" rotors)	TEKTRO V	TEKTRO V	TEKTRO V	TEKTRO V	TEKTRO V
BRAKE LEVERS	TEKTRO alloy	TEKTRO alloy	TEKTRO plastic / alloy	TEKTRO plastic / alloy	TEKTRO plastic / alloy	TEKTRO plastic / alloy	TEKTRO plastic / alloy
RIMS	alloy 24 holes	alloy 32 holes	alloy 32 holes	alloy 32 holes	alloy 32 holes	alloy 32 holes	alloy 32 holes
SPOKES	black stainless steel 2.0 mm	black steel	steel	steel	black steel	steel	steel
TIRES	KENDA Small Block Eight aramid 24" x 1.95"	KENDA Small Block Eight aramid 24" x 1.95"	KENDA Small Block Eight 24" x 1.95"	AUTHOR Speed Master 24" x 1.75"	AUTHOR Speed Master 24" x 1.75"	AUTHOR Speed Master 24" x 1.75"	24" x 1.50"
PEDALS	alloy	alloy	resin	resin	resin	resin	resin
HANDLEBAR	AUTHOR Flat Top bar 0 mm 600 mm	ZOOM alloy 20 mm 580 mm	steel 20 mm 620 mm	steel 20 mm 580 mm	steel 20 mm 580 mm	steel 20 mm 580 mm	steel 20 mm 580 mm
GRIPS	AUTHOR kratton rubber	AUTHOR kratton rubber	AUTHOR kratton rubber	AUTHOR kratton rubber	AUTHOR kratton rubber	AUTHOR kratton rubber	AUTHOR kratton rubber
STEM	AUTHOR alloy	ZOOM alloy	alloy	alloy	alloy	alloy	alloy
SEAT POST	AUTHOR alloy (31.6)	ZOOM alloy (31.6)	alloy (27.2)	alloy (27.2)	alloy (27.2)	alloy (25.4)	alloy (27.2)
SEAT CLAMP	AUTHOR (34.9)	AUTHOR (34.9)	AUTHOR (31.8)	AUTHOR (31.8)	AUTHOR (31.8)	AUTHOR (28.6)	AUTHOR (31.8)
SADDLE	AUTHOR Champion	AUTHOR Champion	AUTHOR	AUTHOR	AUTHOR	AUTHOR	AUTHOR
SPEED	9	9	8	8	18	18	8
WEIGHT	9,8 kg / 12"	11,6 kg / 12"	-	11,4 kg / 12.5"	11,7 kg / 12.5"	13,1 kg / 12.5"	10,5 kg / 12.5"

MODEL	RECORD 20	SMART 20	COSMIC 20	ENERGY 20	MELODY 20	RECORD 16	STYLO 16	BELLO 16	ORBIT 16
SIZE	10"	10"	10"	10"	10"	9"	9"	9"	9"
FRAME	alloy 6061 20"	alloy 6061 20"	alloy 6061 20"	hi-ten 20"	alloy 6061 20" (L)	alloy 6061 16"	alloy 6061 16"	alloy 6061 16" (L)	hi-ten 16"
FRONT FORK	alloy	RST Capa T 20 (50 mm)	hi-ten	hi-ten	hi-ten	alloy	hi-ten	hi-ten	hi-ten
HEAD PARTS	PRESTINE 1-1/8"	PRESTINE 1-1/8"	VP COMP 1-1/8"	VP COMP 1"	VP COMP 1"	PRESTINE 1-1/8"	VP COMP 1"	VP COMP 1"	VP COMP 1"
CHAINWHEEL	PROWHEEL 36 teeth 127 mm cranks	PROWHEEL 36 teeth 127 mm cranks	PROWHEEL 36 teeth 127 mm cranks	PROWHEEL 36 teeth 127 mm cranks	PROWHEEL 36 teeth 127 mm cranks	LASCO 32 teeth 100 mm cranks	PROWHEEL 32 teeth 102 mm cranks	PROWHEEL 32 teeth 102 mm cranks	PROWHEEL 32 teeth 102 mm cranks
B.B. PARTS	VP COMP	VP COMP	VP COMP	VP COMP	VP COMP	VP COMP	VP COMP	VP COMP	VP COMP
FRONT DERAILLEUR	-	-	-	-	-	-	-	-	-
REAR DERAILLEUR	SHIMANO TY300	SHIMANO TY200	SHIMANO TY200	SHIMANO TY200	SHIMANO TY200	-	-	-	-
SHIFTERS	SHIMANO Revoshift (7)	SHIMANO Revoshift (6)	SHIMANO Revoshift (6)	SHIMANO Revoshift (6)	SHIMANO Revoshift (6)	-	-	-	-
FREEWHEEL	SHIMANO HG200-7 12-32 (7)	SHIMANO MF-TZ510-6 14-28 (6)	SHIMANO MF-TZ510-6 14-28 (6)	SHIMANO MF-TZ510-6 14-28 (6)	SHIMANO MF-TZ510-6 14-28 (6)	sprocket 16T	coasterhub 16T	coasterhub 16T	coasterhub 16T
CHAIN	KMC Z7	KMC Z6	KMC Z6	KMC Z6	KMC Z6	KMC Z6	KMC Z6	KMC Z6	KMC Z6
HUBS	QUANDO 20 holes	QUANDO 32 holes	QUANDO 20 holes	steel 32 holes	steel 32 holes	QUANDO 16 holes	rear coasterhub 28 holes	rear coasterhub 28 holes	rear coasterhub 28 holes
BRAKES	TEKTRO V	TEKTRO V	TEKTRO V	TEKTRO V	TEKTRO V	TEKTRO V	TEKTRO V / coasterhub	TEKTRO V / coasterhub	TEKTRO V / coasterhub
BRAKE LEVERS	TEKTRO plastic / alloy	TEKTRO plastic / alloy	TEKTRO plastic / alloy	TEKTRO plastic / alloy	TEKTRO plastic / alloy	TEKTRO alloy / alloy	TEKTRO alloy / alloy	TEKTRO alloy / alloy	TEKTRO alloy / alloy
RIMS	alloy 20 holes	alloy 32 holes	alloy 20 holes	alloy 32 holes	alloy 32 holes	alloy 16 holes	alloy 28 holes	alloy 28 holes	alloy 28 holes
SPOKES	black steel	black steel	black steel	steel	steel	black steel	black steel	steel	steel
TIRES	KENDA Small Block Eight aramid 20" x 1.75"	AUTHOR Speed Master 20" x 1.75"	AUTHOR Speed Master 20" x 1.75"	AUTHOR Speed Master 20" x 1.75"	20" x 1.50"	KENDA Small Block Eight 16" x 1.50"	16" x 1.75"	16" x 1.50"	16" x 1.75"
PEDALS	resin	resin	resin	resin	resin	resin	resin	resin	resin
HANDLEBAR	alloy 20 mm 560 mm	steel 20 mm 540 mm	alloy 20 mm 540 mm	steel 20 mm 540 mm	steel 20 mm 540 mm	alloy 20 mm 520 mm	alloy 60 mm 500 mm	steel 60 mm 500 mm	steel 60 mm 500 mm
GRIPS	AUTHOR kratton rubber	AUTHOR kratton rubber	AUTHOR kratton rubber	AUTHOR kratton rubber	AUTHOR kratton rubber	AUTHOR kratton rubber	AUTHOR kratton rubber	AUTHOR kratton rubber	AUTHOR kratton rubber
STEM	alloy	alloy	alloy	alloy	alloy	alloy	alloy	alloy	alloy
SEAT POST	alloy (27.2)	alloy (27.2)	alloy (27.2)	steel (25.4)	steel (27.2)	alloy (27.2)	alloy (27.2)	alloy (27.2)	steel (25.4)
SEAT CLAMP	AUTHOR (31.8)	AUTHOR (31.8)	AUTHOR (31.8)	AUTHOR (28.6)	AUTHOR (31.8)	AUTHOR (31.8)	alloy (31.8)	alloy (31.8)	alloy (28.6)
SADDLE	AUTHOR Pilot	AUTHOR Pilot	AUTHOR Pilot	AUTHOR Pilot	AUTHOR Melody	AUTHOR Record	AUTHOR Stylo	AUTHOR Bello	AUTHOR Junior
SPEED	7	6	6	6	6	1	1	1	1
WEIGHT	8,6 kg / 10"	10,0 kg / 10"	8,8 kg / 10"	10,6 kg / 10"	10,3 kg / 10"	6,5 kg / 9"	7,8 kg / 9"	7,9 kg / 9"	9,2 kg / 9"



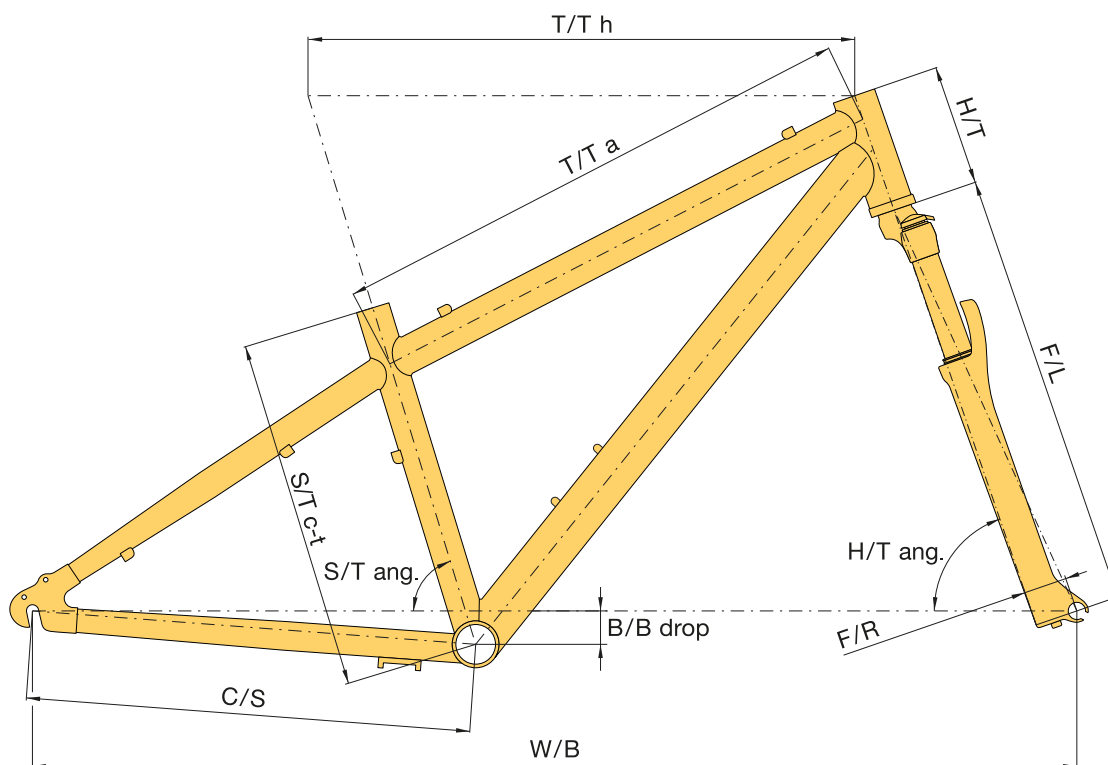
	S/T c-t	T/T h	T/T a	H/T	C/S	W/B	S/T ang.	H/T ang.	F/L	B/B drop	B/B width	F/R
ULTRASONIC 27 / SONIC 27 * t 1.5" PF												
14"	356	550	544	110	420	1052	74.0	69.0	475	45	73	43
16"	406	575	557	115	420	1067	73.5	69.5	475	45	73	43
ULTRASONIC 26 * t 1.5" PF												
13.5"	343	545	533	110	405	1020	73.5	69.5	440	30	73	38
CHAMPION 26 * t 1.5" PF												
13.5"	343	545	533	110	405	1020	73.5	69.5	440	30	73	38
LIMIT 26 *												
13.5"	343	526	513	100	425	1007	73.5	69.5	440	30	68	45
A-MATRIX 26 D *												
13.5"	343	526	518	100	425	1022	73.5	69.5	471	30	68	38
A-MATRIX 26												
13.5"	343	526	518	100	405	1002	73.5	69.5	471	30	68	38
ULTRASONIC 24 * t 1.5" PF												
12"	305	500	482	110	400	965	73.0	70.0	372	25	68	45
MIRAGE * t 1.5" PF												
12"	305	500	489	110	400	960	73.0	70.0	413	25	68	38
A-MATRIX SL 24 / LIMIT 24												
12.5"	318	492	480	100	395	956	73.5	70.0	410	20	68	42
A-MATRIX 24 / MATRIX 24												
12.5"	318	492	480	100	395	956	73.5	70.0	410	20	68	42
ULTIMA 24												
12.5"	318	492	475	100	395	946	73.5	70.0	367	20	68	35

* t 1.5" PF – integrated head set 1.5" tapered PF
 * - 1 1/8" integrated head set PF 50 mm

PF – Press Fit

- GEOMETRY TABLE LEGEND:**
- S/T c-t – seat tube (center-top)
 - T/T h – top tube horizontal
 - T/T a – top tube actual
 - H/T – head tube
 - C/S – chain stay
 - W/B – wheel base
 - S/T ang. – seat tube angle
 - H/T ang. – head tube angle
 - F/L – fork length
 - B/B drop – bottom bracket drop
 - B/B width – bottom bracket width
 - F/R – fork rake

Recommended frame size to the body height for each model you can find on our web site www.author.eu



	S/T c-t	T/T h	T/T a	H/T	C/S	W/B	S/T ang.	H/T ang.	F/L	B/B drop	B/B width	F/R
RECORD 20*												
10"	254	430	418	90	360	850	73.5	71.0	321	15	68	28
SMART 20												
10"	254	430	427	90	360	850	73.5	71.0	365	15	68	42
COSMIC 20												
10"	254	435	420	90	360	836	73.0	72.0	316	10	68	35
ENERGY 20												
10"	254	435	419	90	360	835	73.0	72.0	316	10	68	35
MELODY												
10"	254	435		90	360	836	73.0	72.0	316	10	68	35
RECORD 16*												
9"	229	375	362	90	305	737	74.0	73.0	265	-5	68	40
STYLO 16												
9"	229	375	360	90	305	723	74.0	73.0	267	-5	68	40
BELLO 16												
9"	229	375		90	305	717	74.0	73.0	267	-5	68	34
ORBIT 16												
9"	229	375	361	90	305	717	74.0	73.0	267	-5	68	40

* t 1.5" PF – integrated head set 1.5" tapered PF

PF – Press Fit

* – 1 1/8" integrated head set PF 50 mm

GEOMETRY TABLE LEGEND:

- S/T c-t – seat tube (center-top)
- T/T h – top tube horizontal
- T/T a – top tube actual
- H/T – head tube
- C/S – chain stay
- W/B – wheel base
- S/T ang. – seat tube angle
- H/T ang. – head tube angle
- F/L – fork length
- B/B drop – bottom bracket drop
- B/B width – bottom bracket width
- F/R – fork rake

Recommended frame size to the body height for each model you can find on our web site www.author.eu