



**AUTHOR**  
BICYCLES



**COLLECTION 2019**





Every year, I make an effort in my opening remarks to inform you about the new things that AUTHOR will introduce in the following year, or I take the liberty of sharing the knowledge acquired over time with you.

This year, I would like to change the established customs.

It is true that our team of product managers together with the designers have created an extraordinary AUTHOR 2019 collection.

We have 11 electric bikes. We are introducing a completely new bike type – the 29" cross model. We have developed a new generation of 29" carbon frames. The medium and higher MTB Dural frames have been modified completely just like the Dural road bikes. The "Gravel bikes" shall be offered in the complete AURA XR category. For the first time, we have prepared the MTB 29 ASL. Five new children's bikes will supplement this already extensive range of models. The "style design concept" of the city bikes is another new feature.

It can be said that this is the broadest range of changes and modernization of the collection that AUTHOR has come up with in many years. All of our colleagues deserve deep thanks and credit for their unbelievable work, enthusiasm and inventiveness.

All this is very pleasing for me and fills me with confidence that we are moving in the right direction. I must admit that all these shifts at AUTHOR were overwhelmed by an event of infinitely greater and more important significance. My daughter Kateřina gave birth to her son Matyáš. We have never had such a wonderful and sweet "addition" to the AUTHOR family.

I am frankly proud of both and these are beautiful and unrepeatable moments in human life when time stops, when the minor sufferings of the world are overwhelmed by infinite joy, and you ascertain that your journey has meaning and order.

I wish you all not only success in your difficult work, but you should mainly not forget that we live only once and many moments in our lives are simply wonderful and unrepeatable.

Enjoy life to the fullest!

*Sincerely, Martin Havlena*



COLLECTION  
2019

<b>E-BIKES</b>	ELECTRIC BIKES	4 - 17
<b>ROAD</b>	ROAD BIKES	18 - 25
<b>GRAVEL</b>	GRAVEL BIKES	26 - 33
<b>FSX</b>	FULL SUSPENSION MOUNTAIN BIKES XC   TRAIL	34 - 39
<b>MTB 29</b>	MOUNTAIN BIKES 29	40 - 57
<b>MTB ASL 29</b>	LADIES MOUNTAIN BIKES 29	58 - 63
<b>MTB 27.5</b>	MOUNTAIN BIKES 27.5	64 - 75
<b>MTB ASL 27.5</b>	LADIES MOUNTAIN BIKES 27.5	76 - 85
<b>MTB 26</b>	MOUNTAIN BIKES 26	86 - 95
<b>CROSS 29</b>	CROSS BIKES 29	96 - 113
<b>CROSS ASL 29</b>	LADIES CROSS BIKES 29	114 - 123
<b>CITY</b>	CITY BIKES	124 - 131
<b>JUNIOR</b>	KIDS BIKES	132 - 157
<b>ACCESSORIES</b>	PARTS & ACCESSORIES	158 - 166



# EBIKES





## AUTHOR MTB 29" AND 27.5" E-BIKES

For model year 2019 we are expanding our offer of MTB e-bikes from current 2 models of ELEVATION 29 / 27 for models ENGINE 29 and ENGINE. The highest model is still ELEVATION 29 / 27 on central motor (drive unit), though. Those 2 new E-MTB ENGINE bikes are equipped by BAFANG MAX DRIVE central motor (drive unit) with the power of 250 W, suspension fork RST Aerial, drive train Shimano Deore and Vittoria e-Barzo 2.25" tire. We are trying this way to offer more affordable E-bikes with middle motor. Shifting device is LCD display, upgraded by Bluetooth wireless connection and remote control. Both models have a brand new frame which came from our MTB line up and they still have common sporty looking of MTB bicycle. New and also more capacitive is the Li-Ion battery HWT with parameters: 36 V, 504 Wh, 14 Ah made of Panasonic NCR cells.

### BAFANG Max Drive System



The electrical cables routing is integrated into the frame's front triangle, and battery is mounted using special adapter on the down tube.

All 4 models are built on our original frame with comfortable "trail" geometry and symbiotic, built-in central motor system. Our own design and frame concept represent an attractive profile that maintains functionality and solidness, with central position of the engine in 30-45° angle for both ELEVATION 29" and 27.5, allowing better movement in an open terrain and distribution of total weight of the bike.

The frames of ELEVATION 29" and 27.5 are of course equipped with all design elements necessary on a mountain bike. They include first of all rear thru axle with standard 12x142, the conical head tube compatible with the 1.5" fork's tapered steerer tube, threaded eye lets on the rear stay for carrier and mudguard stays. There is also an integrated platform to fix kick stand in the left drop out. They are driven by SHIMANO STEPS E6000 system with LCD display and remote control of four modes and walk assist feature. The system is powered with 250 W engine weighing 3.7 kg but main upgrade on STEPS E6000 (both ELEVATION models) is much higher capacity of new Li-Ion battery BT-E8010, with parameters 36 V, 500 Wh, 14 Ah, which is originally made for STEPS E8000.

All 4 models are turning on special E-rim named E-KRYPTON, which is stronger and stiffer due to lower and wider profile especially made for more loaded MTB E-bikes.





## AUTHOR E-CROSS 29"

New name for AUTHOR E-bike category is for next year E-Cross 29. Those new models follow the demand for higher comfort, as well as riding stability and safety on / off road and also the 29" bikes vogue. All E-CROSS 29 will have fork's travel of 80 mm and wider tires of 29 x 1.75". In this category we kept having models EMPIRE (man bike) and ENIGMA (woman bike). Those two are for MY19 extended for more affordable models EDICT (Man version) and ESSENCE (women version) with central motor BAFANG MAX DRIVE.

EMPIRE a ENIGMA models are powered by system STEPS E6000 with central motor of nominal 250 W, weight 3.5 kg and Li-Ion battery weighing 2.6 kg and parameters 36 V, 11.6 Ah, 418 Wh mounted to the down tube by special adapter. Other system components are LCD display and remote control of 4 modes and walk assist.

E-Cross EDICT and ESSENCE with central motor BAFANG MAX DRIVE 250 W are equipped by suspension fork RST VOLANT AIR, drive train Shimano ALIVIO 9 speed, multiply LCD display and Li-Ion HWT battery with parameters of 36 V, 14 Ah made of Panasonic NCR cells.

Motors for all models are mounted to the frame by special interface, which is specially designed for this particular engine. All the cables routing led through the front triangle frame tubes.

There is a visual change in the frame's front triangle, where we have tried to obtain an integration of down tube and battery by using so called semiintegrated down tube, which follows the battery shape. Thanks to this update we also were able to lower the battery position.

The frames are equipped with all frame elements usual in cross bicycles. So there are threaded eyes for a bicycle carrier, threads in the frame drop outs for installation of mudguard stays. The frame's chain stay is equipped with the integrated interface for International Standard (IS) disc mount and kick stand.





## AUTHOR E-TOURING

We really believe in E-bikes. We know that they do have a bright future, and so the other alternative next to the E-Cross are also for MY19 E-Touring bicycles. We changed the E-bike system supplier for ELEMENT and ELECTRA bikes for an easier service and components quantity of our E-Touring models. Now they will be all made of BAFANG parts.

Above it we also really remade design wise those two models by using middle motor BAFANG MAX DRIVE 250 W i/o rear one and HWT battery 36 V; 14 Ah, which is now sitting on the rear carrier. System is managed by the LCD display and remote control. Women E-Touring bike ELECTRA has dominant down tube especially made for easy get on / off the bike, so called "low step through". Complete bike has very decent and also rigid look. Man E-Touring bike ELEMENT has also designed and shaped frame tubes called ALLOY 6061 HYDROFORM DESIGN especially made for E-bikes.

**BAFANG**  
**Max Drive System**



Model ELAN is classic city bike on 26" wheels with very "low step" frame, where there is no battery on down tube because it's mounted on the carrier. This model is powered by BAFANG rear engine of 250 W nominal power, battery with capacity of 10.4 Ah but the voltage is 43 V and so the battery Watt energy is almost 450 Wh. Remote control for mode shifting on the display, as well as walk assist is a commonplace.

This E-bike is not only meant to be women version but is has been created as unisex model.

Bafang is for more than 11 years one of the biggest E-bike system components maker in the world. Those engines are de facto standard for middle and middle-low E-bike segment in Europe.

The frames are equipped with all components usual in touring bicycles - threaded eyes for a bicycle carrier and an integrated lock in the seat stay and the chain stay and threads in the frame drop outs for installation of mudguard stays. There is also a base for installation of a stand behind the bottom bracket shell. Additionally to all these touring frame details we also add the frame's elements which are needed for e-bikes. Especially frame adjustments for electric cables routing and battery holder. That means frame cables entry and exit for hiding them inside the frame.





SHIMANO  
1x10

12x142

15x100



ELEVATION 29

FRAME	double butted hydroformed alloy 6061
FORK	RST F1RST 29 15 TRL (100 mm travel)
CHAINWHEEL	Shimano Steps E6000 (38 teeth)
REAR DERAILLEUR / SHIFTERS	Shimano Deore, 10 speed
MOTOR	Shimano Steps DU-E6002, 250 W

BATTERY	Shimano BT-E8010 Li-Ion, 36 V, 14 Ah, 500 Wh
DISPLAY	LCD, 5 modes
BRAKES	TRP Slate 4 (7"), hydraulic
TIRES	Vittoria e-Barzo Kevlar 29" x 2.25"
COLOR	Matte Temple Gray / Kawa Green

SHIMANO  
1x10

12x142

15x100



ELEVATION

FRAME	double butted hydroformed alloy 6061
FORK	RST F1RST 27.5 15 TRL (120 mm travel)
CHAINWHEEL	Shimano Steps E6000 (38 teeth)
REAR DERAILLEUR / SHIFTERS	Shimano Deore, 10 speed
MOTOR	Shimano Steps DU-E6002, 250 W

BATTERY	Shimano BT-E8010 Li-Ion, 36 V, 14 Ah, 500 Wh
DISPLAY	LCD, 5 modes
BRAKES	TRP Slate 4 (7"), hydraulic
TIRES	Vittoria e-Barzo Kevlar 27.5" x 2.25"
COLOR	Matte Ritual Silver / Neon Yellow



SHIMANO  
1x10

## ENGINE 29

FRAME	double butted hydroformed alloy 6061
FORK	RST Aerial 29 TnL (100 mm travel)
CHAINWHEEL	Bafang (38 teeth)
REAR DERAILLEUR / SHIFTERS	Shimano Deore, 10 speed
MOTOR	Bafang Max Motor, 250 W

BATTERY	Han-win Li-Ion, 36 V, 14 Ah, 500 Wh
DISPLAY	LCD, 5 modes
BRAKES	Tektro M745 (7"), hydraulic
TIRES	Vittoria e-Barzo Kevlar 29" x 2.25"
COLOR	Matte Phantom Black / Neon Orange

SHIMANO  
1x10

## ENGINE

FRAME	double butted hydroformed alloy 6061
FORK	RST Aerial 27.5 TnL (120 mm travel)
CHAINWHEEL	Bafang (38 teeth)
REAR DERAILLEUR / SHIFTERS	Shimano Deore, 10 speed
MOTOR	Bafang Max Motor, 250 W

BATTERY	Han-win Li-Ion, 36 V, 14 Ah, 500 Wh
DISPLAY	LCD, 5 modes
BRAKES	Tektro M745 (7"), hydraulic
TIRES	Vittoria e-Barzo Kevlar 27.5" x 2.25"
COLOR	Matte Treasure Silver / Racing Red



SHIMANO  
1x10



EMPIRE

FRAME	double butted hydroformed alloy 6061
FORK	RST Volant Air TnL (80 mm travel)
CHAINWHEEL	Shimano Steps E6000 (38 teeth)
REAR DERAILLEUR / SHIFTERS	Shimano Deore, 10 speed
MOTOR	Shimano Steps E6002, 250 W

BATTERY	Shimano E6010, 36 V, 11.6 Ah, 418 Wh
DISPLAY	LCD, 5 modes
BRAKES	Tektro Gemini (7"), hydraulic
TIRES	Author Speed Master 29" x 1.75"
COLOR	Matte Phantom Black / Extreme White

SHIMANO  
1x10



ENIGMA

FRAME	double butted hydroformed alloy 6061
FORK	RST Volant Air TnL (80 mm travel)
CHAINWHEEL	Shimano Steps E6000 (38 teeth)
REAR DERAILLEUR / SHIFTERS	Shimano Deore, 10 speed
MOTOR	Shimano Steps E6002, 250 W

BATTERY	Shimano E6010, 36 V, 11.6 Ah, 418 Wh
DISPLAY	LCD, 5 modes
BRAKES	Tektro Gemini (7"), hydraulic
TIRES	Author Speed Master 29" x 1.75"
COLOR	Matte Temple Grey / Lime



SHIMANO  
1x9

## EDICT

FRAME	double butted hydroformed alloy 6061
FORK	RST Volant Air TnL (80 mm travel)
CHAINWHEEL	Bafang (38 teeth)
REAR DERAILLEUR / SHIFTERS	Shimano Alivio, 9 speed
MOTOR	Bafang Max Motor, 250 W

BATTERY	Han-win Li-Ion, 36 V, 14 Ah, 500 Wh
DISPLAY	LCD, 5 modes
BRAKES	Tektro Gemini (7"), hydraulic
TIRES	Author Speed Master 29" x 1.75"
COLOR	Matte Ritual Silver / Kawa Green

SHIMANO  
1x9

## ESSENCE

FRAME	double butted hydroformed alloy 6061
FORK	RST Volant Air TnL (80 mm travel)
CHAINWHEEL	Bafang (38 teeth)
REAR DERAILLEUR / SHIFTERS	Shimano Alivio, 9 speed
MOTOR	Bafang Max Motor, 250 W

BATTERY	Han-win Li-Ion, 36 V, 14 Ah, 500 Wh
DISPLAY	LCD, 5 modes
BRAKES	Tektro Gemini (7"), hydraulic
TIRES	Author Speed Master 29" x 1.75"
COLOR	Matte Treasure Silver / Racing Red

SHIMANO  
1x9

## ELEMENT

FRAME	alloy 6061 700C
FORK	RST Nova TnL (60 mm travel)
CHAINWHEEL	Bafang (38 teeth)
REAR DERAILLEUR / SHIFTERS	Shimano Alivio, 9 speed
MOTOR	Bafang Max Motor 250 W

BATTERY	Hen-win Li-Ion, 36 V, 14 Ah, 522 Wh
DISPLAY	LCD, 5 modes
BRAKES	Tektro Vela (6"), hydraulic
TIRES	700 x 40c
COLOR	Matte Ritual Silver / Kawa Green

SHIMANO  
1x9

## ELECTRA

FRAME	alloy 6061 700C
FORK	RST Nova TnL (60 mm travel)
CHAINWHEEL	Bafang (42 teeth)
REAR DERAILLEUR / SHIFTERS	Shimano Alivio, 9 speed
MOTOR	Bafang Max Motor 250 W

BATTERY	Hen-win Li-Ion, 36 V, 14 Ah, 522 Wh
DISPLAY	LCD, 5 modes
BRAKES	Tektro Vela (6"), hydraulic
TIRES	700 x 40c
COLOR	Matte Treasure Silver / Racing Red





ELAN [A]

<b>FRAME</b>	alloy 6061 26"
--------------	----------------

<b>FORK</b>	RST Gila 26T (80 mm travel)
-------------	-----------------------------

<b>CHAINWHEEL</b>	Prowheel (38 teeth)
-------------------	---------------------

<b>REAR DERAILLEUR / SHIFTERS</b>	Shimano TX800 / Revoshift, 8 speed
-----------------------------------	------------------------------------

<b>MOTOR</b>	Bafang 250 W
--------------	--------------

<b>BATTERY</b>	Bafang Li-Ion, 43 V, 10.4 Ah, 450 Wh
----------------	--------------------------------------

<b>DISPLAY</b>	LCD, 5 modes
----------------	--------------

<b>BRAKES</b>	Tektro V
---------------	----------

<b>TIRES</b>	Classic Venice 26" x 2.00"
--------------	----------------------------

<b>COLOR A</b>	Matte Temple Grey / Lime
----------------	--------------------------



ELAN [B]

<b>FRAME</b>	alloy 6061 26"
--------------	----------------

<b>FORK</b>	RST Gila 26T (80 mm travel)
-------------	-----------------------------

<b>CHAINWHEEL</b>	Prowheel (38 teeth)
-------------------	---------------------

<b>REAR DERAILLEUR / SHIFTERS</b>	Shimano TX800 / Revoshift, 8 speed
-----------------------------------	------------------------------------

<b>MOTOR</b>	Bafang 250 W
--------------	--------------

<b>BATTERY</b>	Bafang Li-Ion, 43 V, 10.4 Ah, 450 Wh
----------------	--------------------------------------

<b>DISPLAY</b>	LCD, 5 modes
----------------	--------------

<b>BRAKES</b>	Tektro V
---------------	----------

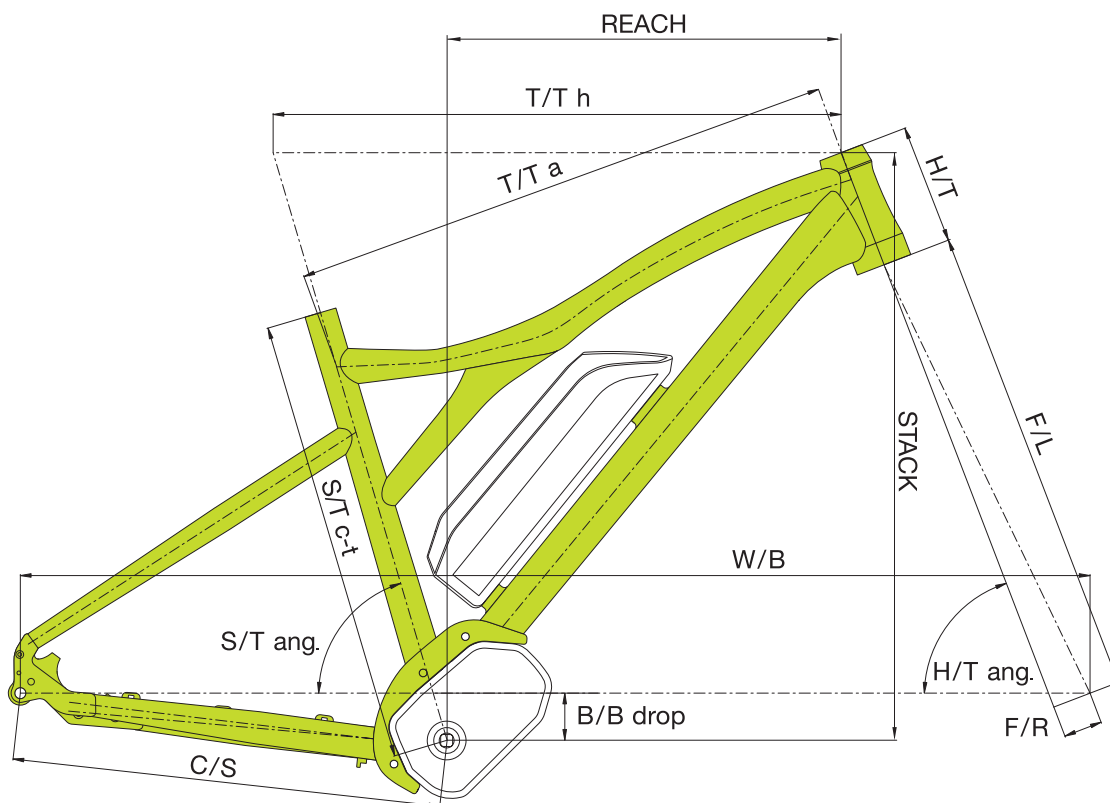
<b>TIRES</b>	Classic Venice 26" x 2.00"
--------------	----------------------------

<b>COLOR B</b>	Treasure Silver / Racing Red
----------------	------------------------------

MODEL	ELEVATION 29	ELEVATION	ENGINE 29	ENGINE
SIZE	17", 19", 21"	17", 19", 21"	17", 19", 21"	17", 19"
FRAME	double butted hydroformed alloy 6061 29"	double butted hydroformed alloy 6061 27.5"	double butted hydroformed alloy 6061 29"	double butted hydroformed alloy 6061 27.5"
FRONT FORK	RST F1RST 29 15 TRL air, remote lock out 15 mm thru axle (100 mm)	RST F1RST 27.5 15 TRL air, remote lock out 15 mm thru axle (120 mm)	RST Aerial 29 TnL air, lock out (100 mm)	RST Aerial 27.5 TnL air, lock out (120 mm)
ENGINE	SHIMANO Steps DU-E6002, 250 W	SHIMANO Steps DU-E6002, 250 W	BAFANG Max Motor 250 W	BAFANG Max Motor 250 W
BATTERY	SHIMANO BT-E8010 Li-Ion, 36 V, 14 Ah, 500 Wh	SHIMANO BT-E8010 Li-Ion, 36 V, 14 Ah, 500 Wh	HAN-WIN Li-Ion, 36 V, 14 Ah, 500 Wh	HAN-WIN Li-Ion, 36 V, 14 Ah, 500 Wh
DISPLAY	LCD SC-E6010	LCD SC-E6010	LCD	LCD
HEAD PARTS	FSA Integrated 1-1/8"	FSA Integrated 1-1/8"	FSA Integrated 1-1/8"	FSA Integrated 1-1/8"
CHAINWHEEL	SHIMANO Steps E6000 38 teeth 170 / 175 mm cranks	SHIMANO Steps E6000 38 teeth 170 / 175 mm cranks	BAFANG 38 teeth 170 / 175 mm cranks	BAFANG 38 teeth 170 / 175 mm cranks
B.B. PARTS	SHIMANO Steps	SHIMANO Steps	BAFANG	BAFANG
FRONT DERAILLEUR	-	-	-	-
REAR DERAILLEUR	SHIMANO Deore	SHIMANO Deore	SHIMANO Deore	SHIMANO Deore
SHIFTERS	SHIMANO Deore (10)	SHIMANO Deore (10)	SHIMANO Deore (10)	SHIMANO Deore (10)
FREEWHEEL	SHIMANO HG50-10 11-36 (10)	SHIMANO HG50-10 11-36 (10)	SHIMANO HG50-10 11-36 (10)	SHIMANO HG50-10 11-36 (10)
CHAIN	KMC e10T	KMC e10T	KMC e10T	KMC e10T
HUBS	AUTHOR Helium 15 / Xenon 12 15 x 100 mm thru front axle 12 x 142 mm thru rear axle 32 holes	AUTHOR Helium 15 / Xenon 12 15 x 100 mm thru front axle 12 x 142 mm thru rear axle 32 holes	AUTHOR Xenon 32 holes	AUTHOR Xenon 32 holes
BRAKES	TRP Slate 4 disc hydraulic (7" rotors)	TRP Slate 4 disc hydraulic (7" rotors)	TEKTRO M745 disc hydraulic (7" rotors)	TEKTRO M745 disc hydraulic (7" rotors)
BRAKE LEVERS	TRP Slate 4	TRP Slate 4	TEKTRO M745	TEKTRO M745
RIMS	AUTHOR E-Krypton 29 32 holes	AUTHOR E-Krypton 27.5 32 holes	AUTHOR E-Krypton 29 32 holes	AUTHOR E-Krypton 27.5 32 holes
SPOKES	black stainless steel 2.2 mm	black stainless steel 2.2 mm	black stainless steel 2.2 mm	black stainless steel 2.2 mm
TIRES	VITTORIA e-Barzo kevlar 29" x 2.25"	VITTORIA e-Barzo kevlar 27.5" x 2.25"	VITTORIA e-Barzo kevlar 29" x 2.25"	VITTORIA e-Barzo kevlar 27.5" x 2.25"
PEDALS	HT platmorm	HT platmorm	HT platmorm	HT platmorm
HANDLEBAR	AUTHOR 15 mm 700 / 720 mm	AUTHOR 15 mm 700 / 720 mm	AUTHOR 15 mm 700 / 720 mm	AUTHOR 15 mm 700 / 720 mm
GRIPS	AUTHOR Pro Lock	AUTHOR Pro Lock	AUTHOR Pro Lock	AUTHOR Pro Lock
STEM	AUTHOR alloy	AUTHOR alloy	AUTHOR alloy	AUTHOR alloy
SEAT POST	AUTHOR alloy (30.9)	AUTHOR alloy (30.9)	AUTHOR alloy (31.6)	AUTHOR alloy (31.6)
SEAT CLAMP	AUTHOR (31.8)	AUTHOR (31.8)	AUTHOR (34.9)	AUTHOR (34.9)
SADDLE	AUTHOR Navigator	AUTHOR Navigator	AUTHOR Navigator	AUTHOR Navigator
SPEED	10	10	10	10
WEIGHT	20.8 kg / 19"	20.5 kg / 19"	21.9 kg / 19"	21.9 kg / 19"



MODEL	EMPIRE	ENIGMA	EDICT	ESSENCE	ELEMENT	ELECTRA	ELAN
SIZE	16", 18", 20", 22"	17", 19"	16", 18", 20", 22"	17", 19"	18", 20", 22"	17", 19"	16", 18", 20"
FRAME	double butted hydroformed alloy 6061 29"	double butted hydroformed alloy 6061 29°C (L)	double butted hydroformed alloy 6061 29"	double butted hydroformed alloy 6061 29°C (L)	alloy 6061 700c	alloy 6061 700c (L)	alloy 6061 700c (L)
FRONT FORK	RST Volant Air TnL air, remote lock out (80 mm)	RST Volant Air TnL air, remote lock out (80 mm)	RST Volant Air TnL air, remote lock out (80 mm)	RST Volant Air TnL air, remote lock out (80 mm)	RST Nova TnL lock out (60 mm)	RST Nova TnL lock out (60 mm)	RST Gila 26 T (80 mm)
ENGINE	SHIMANO Steps DU-E6002, 250 W	SHIMANO Steps DU-E6002, 250 W	BAFANG Max Motor 250 W	BAFANG Max Motor 250 W	BAFANG Max Motor 250 W	BAFANG Max Motor 250 W	BAFANG 250 W
BATTERY	SHIMANO BT-E6010 Li-Ion, 36 V, 11.6 Ah, 418 Wh	SHIMANO BT-E6010 Li-Ion, 36 V, 11.6 Ah, 418 Wh	HAN-WIN Li-Ion, 36 V, 14 Ah, 500 Wh	HAN-WIN Li-Ion, 36 V, 14 Ah, 500 Wh	HAN-WIN Li-Ion, 36 V, 14 Ah, 522 Wh	HAN-WIN Li-Ion, 36 V, 14 Ah, 522 Wh	BAFANG Li-Ion, 43 V, 10.4 Ah, 450 Wh
DISPLAY	LCD SC-E6010	LCD SC-E6010	LCD	LCD	LCD	LCD	LCD
HEAD PARTS	AUTHOR Integrated 1-1/8"	AUTHOR Integrated 1-1/8"	AUTHOR Integrated 1-1/8"	AUTHOR Integrated 1-1/8"	PRESTINE Integrated 1-1/8"	PRESTINE Integrated 1-1/8"	PRESTINE Integrated 1-1/8"
CHAINWHEEL	SHIMANO Steps E6000 38 teeth 170 / 175 mm cranks	SHIMANO Steps E6000 38 teeth 170 mm cranks	BAFANG 38 teeth 170 / 175 mm cranks	BAFANG 38 teeth 170 / 175 mm cranks	BAFANG 38 teeth 170 mm cranks	BAFANG 38 teeth 170 mm cranks	PROWHEEL 38 teeth 170 mm cranks
B. B. PARTS	SHIMANO Steps	SHIMANO Steps	BAFANG	BAFANG	BAFANG	BAFANG	BAFANG
FRONT DERAILLEUR	-	-	-	-	-	-	-
REAR DERAILLEUR	SHIMANO Deore	SHIMANO Deore	SHIMANO Alivio	SHIMANO Alivio	SHIMANO Alivio	SHIMANO Alivio	SHIMANO TX800
SHIFTERS	SHIMANO Deore (10)	SHIMANO Deore (10)	SHIMANO Alivio (9)	SHIMANO Alivio (9)	SHIMANO Alivio (9)	SHIMANO Alivio (9)	SHIMANO Revoshift (8)
FREEWHEEL	SHIMANO HG50-10 11-36 (10)	SHIMANO HG50-10 11-36 (10)	SHIMANO HG400-9 11-34 (9)	SHIMANO HG400-9 11-34 (9)	SHIMANO HG400-9 11-34 (9)	SHIMANO HG400-9 11-34 (9)	SHIMANO HG-31 11-34 (8)
CHAIN	KMC e10T	KMC e10T	KMC e9T	KMC e9T	KMC e9T	KMC e9T	KMC Z8.1
HUBS	AUTHOR Radon 32 holes	AUTHOR Radon 32 holes	AUTHOR Radon 32 holes	AUTHOR Radon 32 holes	AUTHOR Radon 36 holes	AUTHOR Radon 36 holes	QUANDO 36 holes BAFANG 36 holes
BRAKES	TEKTRO Gemini disc hydraulic (7" rotors)	TEKTRO Gemini disc hydraulic (7" rotors)	TEKTRO Gemini disc hydraulic (7" rotors)	TEKTRO Gemini disc hydraulic (7" rotors)	TEKTRO Vela disc hydraulic (6" rotors)	TEKTRO Vela disc hydraulic (6" rotors)	TEKTRO V
BRAKE LEVERS	TEKTRO Gemini	TEKTRO Gemini WS	TEKTRO Gemini	TEKTRO Gemini WS	TEKTRO Vela	TEKTRO Vela	TEKTRO
RIMS	AUTHOR Xenon Pro 29 32 holes	AUTHOR Xenon Pro 29 32 holes	AUTHOR Xenon Pro 29 32 holes	AUTHOR Xenon Pro 29 32 holes	AUTHOR Radon Cross 36 holes	AUTHOR Radon Cross 36 holes	JALCO 36 holes
SPOKES	black stainless steel 2.2 mm	black stainless steel 2.2 mm	black stainless steel 2.2 mm	black stainless steel 2.2 mm	black stainless steel 2.0 mm	black stainless steel 2.0 mm	black stainless steel 2.2 mm
TIRES	AUTHOR Speed Master 29" x 1.75"	AUTHOR Speed Master 29" x 1.75"	AUTHOR Speed Master 29" x 1.75"	AUTHOR Speed Master 29" x 1.75"	CST reflexive stripes 700 x 40c	CST reflexive stripes 700 x 40c	CST Classic Venice 26" x 2.00"
PEDALS	HT platorm	AUTHOR Non Slip alloy	HT platorm	AUTHOR Non Slip alloy	AUTHOR Non Slip alloy	AUTHOR Non Slip alloy	AUTHOR Non Slip alloy
HANDLEBAR	AUTHOR 15 mm 680 mm	AUTHOR 15 mm 660 / 680 mm	AUTHOR 15 mm 680 mm	AUTHOR 15 mm 660 / 680 mm	AUTHOR 25 mm 660 mm	AUTHOR 25 mm 640 mm	KALLOY 45 mm 620 mm
GRIPS	AUTHOR Microtech ErgoGrip	AUTHOR Microtech ErgoGrip	AUTHOR Microtech ErgoGrip	AUTHOR Microtech ErgoGrip	AUTHOR Microtech ErgoGrip	AUTHOR Microtech ErgoGrip	AUTHOR high density foam
STEM	AUTHOR alloy	AUTHOR alloy	AUTHOR alloy	AUTHOR alloy	UNO adjustable	UNO adjustable	UNO adjustable
SEAT POST	AUTHOR alloy (27.2)	AUTHOR alloy (27.2)	AUTHOR alloy (27.2)	AUTHOR alloy (27.2)	UNO suspension (27.2)	UNO suspension (27.2)	UNO suspension (27.2)
SEAT CLAMP	AUTHOR (31.8)	AUTHOR (31.8)	AUTHOR (31.8)	AUTHOR (31.8)	AUTHOR (31.8)	AUTHOR (31.8)	AUTHOR (31.8)
SADDLE	AUTHOR Sphere Gel	AUTHOR Area Gel	AUTHOR Sphere Gel	AUTHOR Area Gel	AUTHOR King Sofa	AUTHOR Queen Sofa	AUTHOR Queen Sofa
SPEED	10	10	9	9	9	9	8
WEIGHT	20.9 kg / 20"	20.7 kg / 17"	22.1 kg / 20"	21.9 kg / 17"	24.1 kg / 20"	24.3 kg / 17"	23.9 kg / 16"



	S/T c-t	T/T h	T/T a	H/T	C/S	W/B	S/T ang.	H/T ang.	F/L	B/B drop	B/B width	F/R	REACH	STACK
<b>ELEVATION 29 * T 1.5" PF</b>														
17"	432	600	579	120	480	1170	73.0	68.0	510	58	-	51	409	626
19"	483	620	696	130	480	1191	73.0	68.0	510	58	-	51	426	635
21"	533	640	614	135	480	1211	73.0	68.0	510	58	-	51	444	640
<b>ELEVATION * T 1.5" PF</b>														
17"	432	600	578	120	465	1149	73.0	68.0	515	51	-	43	409	626
19"	483	620	596	130	465	1170	73.5	68.0	515	51	-	43	426	637
<b>ENGINE 29 * T 1.5" PF</b>														
17"	432	600	580	120	495	1185	73.0	68.0	510	58	-	51	409	626
19"	483	620	593	130	495	1206	73.0	68.0	510	58	-	51	426	635
21"	533	640	614	135	495	1226	73.0	68.0	510	58	-	51	444	640
<b>ENGINE * T 1.5" PF</b>														
17"	432	600	563	120	475	1130	73.0	68.0	515	51	-	43	379	626
19"	483	620	582	130	475	1150	73.5	68.0	515	51	-	43	395	636

\* t 1.5" PF - 1.5" semiintegrated head set PF

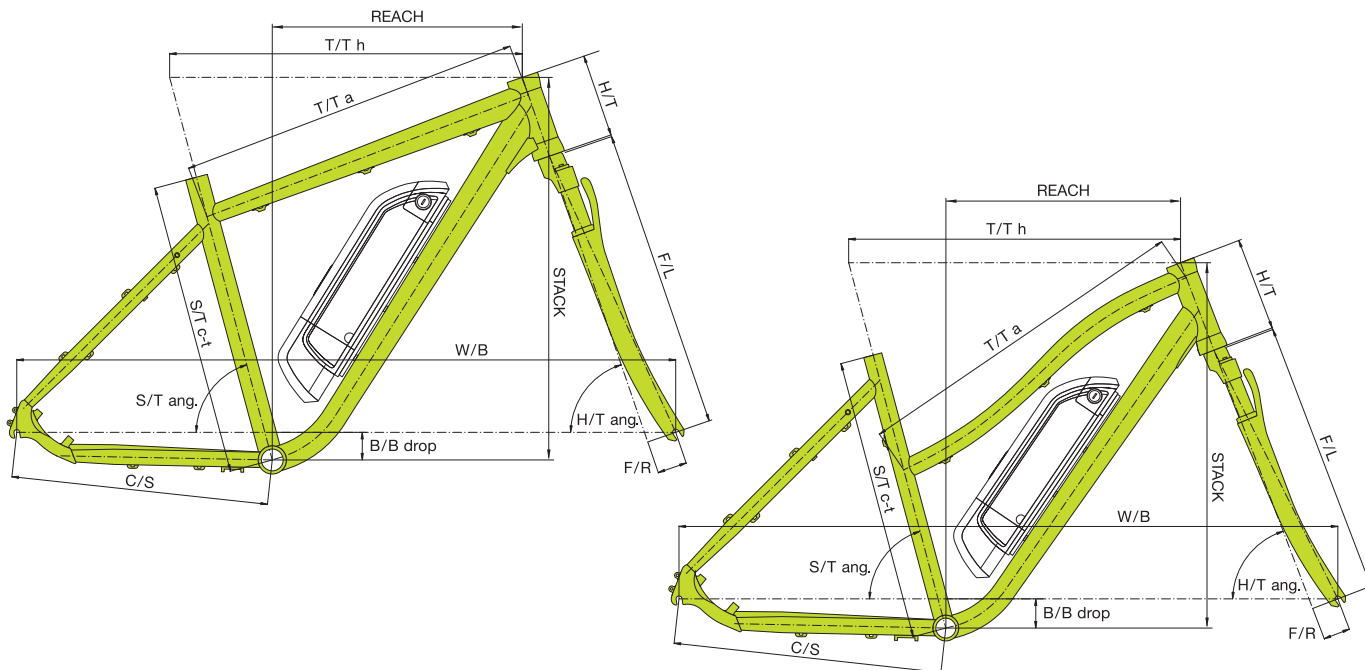
PF - Press Fit

**GEOMETRY TABLE LEGEND:**

- S/T c-t - seat tube (center-top)
- T/T h - top tube horizontal
- T/T a - top tube actual
- H/T - head tube
- C/S - chain stay
- W/B - wheel base
- S/T ang. - seat tube angle
- H/T ang. - head tube angle
- F/L - fork length
- B/B drop - bottom bracket drop
- B/B width - bottom bracket width
- F/R - fork rake
- REACH - the horizontal distance from the center of the bottom bracket / crank to the top middle point of the head tube
- STACK - the vertical distance from the center of the frame's bottom bracket / crank to the top middle point of the head tube

Recommended frame size to the body height for each model you can find on our web site [www.author.eu](http://www.author.eu)





	S/T ct	T/T h	T/T a	H/T	C/S	W/B	S/T ang.	H/T ang.	F/L	B/B drop	B/B width	F/R	REACH	STACK
<b>EMPIRE*</b>														
16"	406	560	540	110	479	1085	73.0	71.0	490	60	-	44	373	613
18"	457	580	556	130	479	1106	73.0	71.0	490	60	-	44	387	632
20"	508	600	574	150	479	1126	73.0	71.0	490	60	-	44	401	651
22"	559	620	595	160	479	1147	73.0	71.0	490	60	-	44	418	660
<b>ENIGMA*</b>														
17"	432	565	545	120	479	1102	73.5	70.5	490	60	-	44	381	620
19"	483	585	564	130	479	1122	73.5	70.5	490	60	-	44	399	630
<b>EDICT*</b>														
16"	406	560	540	110	489	1095	73.0	71.0	490	60	-	44	373	613
18"	457	580	556	130	489	1116	73.0	71.0	490	60	-	44	387	632
20"	508	600	574	150	489	1136	73.0	71.0	490	60	-	44	401	651
22"	559	620	595	160	489	1157	73.0	71.0	490	60	-	44	418	660
<b>ESSENCE*</b>														
17"	432	565	545	120	489	1112	73.5	70.5	490	60	-	44	381	620
19"	483	585	564	130	489	1132	73.5	70.5	490	60	-	44	399	630
<b>ELEMENT*</b>														
18"	457	550	533	130	479	1107	75.0	71.0	470	45	-	46	385	616
20"	508	555	537	130	479	1113	75.0	71.0	470	45	-	46	390	616
22"	558	559	542	150	479	1117	75.0	71.0	470	45	-	46	389	635
<b>ELECTRA*</b>														
17"	432	546	536	160	479	1027	75.0	69.0	470	50	-	46	337	643
19"	483	568	557	160	479	1149	75.0	69.0	470	50	-	46	396	643
<b>ELAN*</b>														
16"	406	545	531	145	430	1063	75.0	69.0	460	50	68	38	-	-
18"	457	560	542	155	430	1079	75.0	69.0	460	50	68	38	-	-
20"	508	568	549	160	430	1088	75.0	69.0	460	50	68	38	-	-

\* - 1 1/8" semiintegrated head set PF 50 mm

PF - Press Fit

**GEOMETRY TABLE LEGEND:**

S/T ct - seat tube (center-top)

T/T h - top tube horizontal

T/T a - top tube actual

H/T - head tube

C/S - chain stay

W/B - wheel base

S/T ang. - seat tube angle

H/T ang. - head tube angle

F/L - fork length

B/B drop - bottom bracket drop

B/B width - bottom bracket width

F/R - fork rake

REACH - the horizontal distance from the center of the bottom bracket / crank to the top middle point of the head tube

STACK - the vertical distance from the center of the frame's bottom bracket / crank to the top middle point of the head tube

Recommended frame size to the body height for each model you can find on our web site [www.author.eu](http://www.author.eu)



# ROAD





## AUTHOR CARBON ROAD

### CHARISMA

For model year 2019 we are going to use our 3<sup>rd</sup> generation of AUTHOR carbon road frame's platform. We will use it for models CHARISMA 77, 66 and CHARISMA 55 in different strength and quality carbon material levels.

#### Frame's Structural Elements

1. inner cable routing for both derailleur's and rear brake (ICR – Inner Cable Routing)
2. braze on type of direct FD mount
3. 86.5 mm BB shell compatible with SHIMANO standard PF SM-BB91-41
4. possibility of mounting the SHIMANO Di2 battery either to the chain stay bottom edge or into the seat post
5. the conical head tube compatible with the 1.5" fork's tapered steerer tube for Drop In head sets
6. application of the stainless steel stickers directly to the frame's side wall on the chain stay and down tube to protect the frame tubes from chain's falling of the chainwheels
7. aerodynamically shaped front fork



3. / 6.

## AUTHOR ALLOY ROAD

### AURA

New alloy AURA frame for more affordable road bikes has from the very beginning remade geometry compare to it's ancestor. The goal of this was to satisfy beginners and semi advanced road riders by giving them longer head tube, noticeable front triangle's slopping and shorter top tube. Which all cause little bit upright and so more comfortable sitting position. To get the lowest frame's weight we will use on all AURA models triple butted alloy 6061 material. For MY19 we prolong the rear stay to get bigger space for wider tires and also for fenders, if needed. Frame has a new top tube and also seat tube shape. The real frame's structural element's upgrade and also design neatness is the Inner Cable Routing (ICR) for both derailleurs and rear brake in the down or top tube.

### Frame's Structural Elements

1. the conical head tube compatible with the 1.5" fork's tapered steerer tube for Drop In head sets
2. noticeable front triangle's slopping
3. braze on type of direct FD mount
4. ICR for both derailleurs and rear brake in the down or top tube
5. aerodynamically shaped front fork

We offer this frame's platform in 5 sizes: 500, 520, 540, 560 a 580 mm. Also here the frame size means length of the seat tube measured from BB center into S/T top.







## CHARISMA 77

FRAME	Author A carbon monocoque
FORK	Author A carbon monocoque
CHAINWHEEL	Shimano Dura Ace (53-39 teeth), BB unit
REAR DERAILLEUR / SHIFTERS	Shimano Dura Ace, 22 speed
CASSETTE	Shimano CS-R9100, 11 speed (11-28 teeth)

BRAKES	Shimano Dura Ace
WHEEL SET	Mavic Ksyrium Pro Exalith 25 WTS
TIRES	Mavic Yksion Pro SSC Kevlar 700 x 25c
COLOR	Carbon / Neon Yellow



## CHARISMA 66

FRAME	Author B carbon monocoque
FORK	Author B carbon monocoque
CHAINWHEEL	Shimano Ultegra (52-36 teeth), BB unit
REAR DERAILLEUR / SHIFTERS	Shimano Ultegra, 22 speed
CASSETTE	Shimano CS-R8000, 11 speed (11-28 teeth)

BRAKES	Shimano Ultegra
WHEEL SET	Mavic Ksyrium Elite WTS 25
TIRES	Mavic Yksion Pro Kevlar 700 x 25c
COLOR	Carbon / Author Red



WHEEL SET



CERTIFICATED



## CHARISMA 55

FRAME	Author B carbon monocoque
FORK	Author C carbon monocoque
CHAINWHEEL	Shimano 105 Compact (52-36 teeth), BB unit
REAR DERAILLEUR / SHIFTERS	Shimano 105, 22 speed
CASSETTE	Shimano CS-R7000, 11 speed (11-32 teeth)

BRAKES	Shimano 105
WHEEL SET	Mavic Ksyrium
TIRES	Vittoria Zaffiro Pro Kevlar 700 x 25c
COLOR	Matte Carbon / Silver



WHEEL SET



## AURA 55

FRAME	triple butted alloy 6061
FORK	Author C carbon
CHAINWHEEL	Shimano Compact (50-34 teeth)
REAR DERAILLEUR / SHIFTERS	Shimano 105, 22 speed
CASSETTE	Shimano CS-R7000, 11 speed (11-30 teeth)

BRAKES	Tektro R313
WHEEL SET	Mavic Aksium
TIRES	Vittoria Zaffiro Pro Kevlar 700 x 28c
COLOR	Matte Phantom Black



SHIMANO  
2x10

## AURA 44

FRAME	triple butted alloy 6061	CASSETTE	Shimano CS-HG500-10, 10 speed (11-32 teeth)
FORK	carbon / alloy 1.5" tapered	BRAKES	Tektro R313
CHAINWHEEL	Shimano Tiagra Compact (50-34 teeth), BB unit	TIRES	Vittoria Zaffiro Pro Kevlar 700 x 28c
REAR DERAILLEUR / SHIFTERS	Shimano Tiagra, 20 speed	COLOR	Phantom Black / Author Red

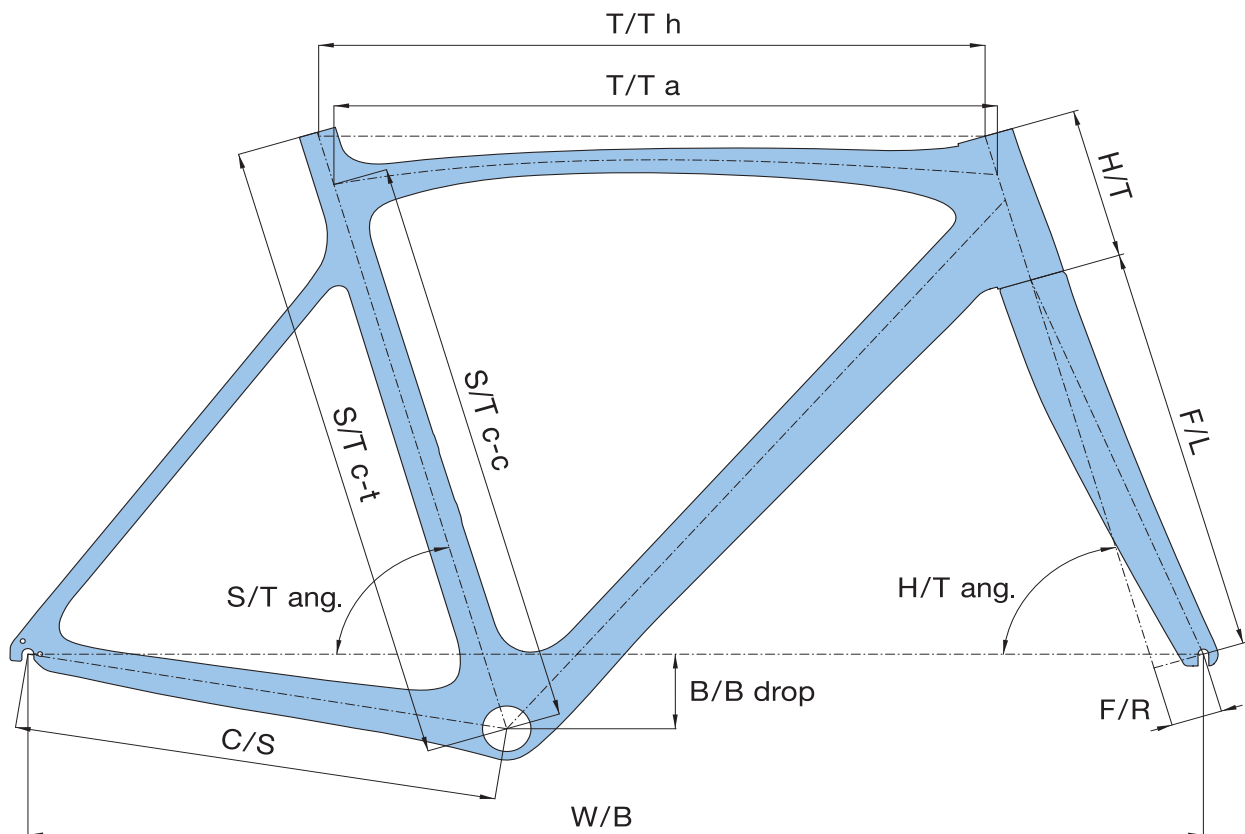


## AURA 33

FRAME	triple butted alloy 6061	CASSETTE	Shimano CS-HG400-9, 9 speed (11-32 teeth)
FORK	alloy 1.5" tapered	BRAKES	Tektro R313
CHAINWHEEL	Prowheel Ounce Compact (50-34 teeth)	TIRES	Vittoria Zaffiro 700 x 28c
REAR DERAILLEUR / SHIFTERS	Shimano Sora, 18 speed	COLOR	Phantom Black / Extreme White

MODEL	CHARISMA 77	CHARISMA 66	CHARISMA 55	AURA 55	AURA 44	AURA 33
SIZE	540, 560, 580, 600 mm	520, 540, 560, 580, 600, 620 mm	520, 540, 560, 580, 600, 620 mm	500, 520, 540, 560, 580 mm	500, 520, 540, 560, 580 mm	500, 520, 540, 560, 580 mm
FRAME	AUTHOR A carbon monocoque	AUTHOR B carbon monocoque	AUTHOR B carbon monocoque	triple butted alloy 6061	triple butted alloy 6061	triple butted alloy 6061
FRONT FORK	AUTHOR A carbon monocoque 1.5" tapered	AUTHOR B carbon monocoque 1.5" tapered	AUTHOR C carbon monocoque 1.5" tapered	AUTHOR C carbon 1.5" tapered	AUTHOR carbon legs, alloy steerer 1.5" tapered	AUTHOR alloy 1.5" tapered
HEAD PARTS	FSA Orbit C-40 1.5" tapered	FSA Orbit C-40 1.5" tapered	FSA Orbit C-40 1.5" tapered	PRESTINE Integrated 1.5" tapered	PRESTINE Integrated 1.5" tapered	PRESTINE Integrated 1.5" tapered
CHAINWHEEL	SHIMANO Dura Ace 53-39 teeth 170 / 172.5 / 175 / 177.5 mm cranks	SHIMANO Ultegra 52-36 teeth 170 / 172.5 / 175 mm cranks	SHIMANO 105 52-36 teeth 170 / 172.5 / 175 mm cranks	SHIMANO Compact 50-34 teeth 170 / 172.5 / 175 mm cranks	SHIMANO Tiagra Compact 50-34 teeth 170 / 172.5 / 175 mm cranks	PROWHEEL Duncce Compact 50-34 teeth 170 / 172.5 / 175 mm cranks
B. B. PARTS	SHIMANO BB-92 BB unit	SHIMANO BB-72 BB unit	SHIMANO BB-72 BB unit	SHIMANO BB-RS500 BB unit	SHIMANO BB-RS500 BB unit	SHIMANO BB-UN26 cartridge
FRONT DERAILLEUR	SHIMANO Dura Ace	SHIMANO Ultegra	SHIMANO 105	SHIMANO 105	SHIMANO Tiagra	SHIMANO Sora
REAR DERAILLEUR	SHIMANO Dura Ace	SHIMANO Ultegra	SHIMANO 105	SHIMANO 105	SHIMANO Tiagra	SHIMANO Sora
SHIFTERS	SHIMANO Dura Ace (22)	SHIMANO Ultegra (22)	SHIMANO 105 (22)	SHIMANO 105 (22)	SHIMANO Tiagra (20)	SHIMANO Sora (18)
FREEWHEEL	SHIMANO R9100 11-28 (11)	SHIMANO R8000 11-28 (11)	SHIMANO R7000 11-32 (11)	SHIMANO R7000 11-30 (11)	SHIMANO HG500-10 11-32 (10)	SHIMANO HG400-9 11-32 (9)
CHAIN	SHIMANO HG901	SHIMANO HG701	SHIMANO HG601	KMC X11 EL	KMC X10	SHIMANO HG53
HUBS	MAVIC Ksyrium Pro Exalith 25 WTS wheel set 18 / 20 holes	MAVIC Ksyrium Elite 25 WTS wheel set 18 / 20 holes	MAVIC Ksyrium wheel set 20 holes	MAVIC Aksium wheel set 20 holes	QUANDO Road 32 holes	QUANDO Road 32 holes
BRAKES	SHIMANO Dura Ace	SHIMANO Ultegra	SHIMANO 105	TEKTRO R313	TEKTRO R313	TEKTRO R313
BRAKE LEVERS	SHIMANO Dura Ace	SHIMANO Ultegra	SHIMANO 105	SHIMANO 105	SHIMANO Tiagra	SHIMANO Sora
RIMS	MAVIC Ksyrium Pro Exalith 25 WTS wheel set 18 / 20 holes	MAVIC Ksyrium Elite 25 WTS wheel set 18 / 20 holes	MAVIC Ksyrium wheel set 20 holes	MAVIC Aksium wheel set 20 holes	JALCO MRX24 32 holes	JALCO MRX24 32 holes
SPOKES	MAVIC	MAVIC	MAVIC	MAVIC	black stainless steel 2.0 mm	black stainless steel 2.0 mm
TIRES	MAVIC Yksion Pro SSC Griplink kevlar MAVIC Yksion Pro SSC Powerlink kevlar 700 x 25c	MAVIC Yksion Pro Griplink kevlar MAVIC Yksion Pro Powerlink kevlar 700 x 25c	VITTORIA Zaffiro Pro kevlar 700 x 25c	VITTORIA Zaffiro Pro kevlar 700 x 28c	VITTORIA Zaffiro Pro kevlar 700 x 28c	VITTORIA Zaffiro 700 x 28c
PEDALS	-	-	-	-	-	-
HANDLEBAR	RITCHEY SL Road Evo Curve carbon 420 / 440 mm	RITCHEY Stream II WCS Road 420 / 440 mm	RITCHEY Stream II Comp Road 420 / 440 mm	RITCHEY Stream II Comp Road 420 / 440 mm	AUTHOR 440 / 460 mm	AUTHOR 440 / 460 mm
TAPES	AUTHOR microfiber / gel	AUTHOR microfiber / gel	AUTHOR microfiber / gel	AUTHOR microfiber / gel	AUTHOR suede / gel	AUTHOR suede / gel
STEM	RITCHEY WCS C220	RITCHEY WCS C220	RITCHEY Comp 4-Axis	RITCHEY Comp 4-Axis	AUTHOR	AUTHOR
SEAT POST	RITCHEY SL Carbon (27.2)	RITCHEY WCS Carbon (27.2)	RITCHEY Comp Carbon (27.2)	RITCHEY Comp Carbon (27.2)	AUTHOR (27.2)	AUTHOR (27.2)
SEAT CLAMP	AUTHOR (31.8)	AUTHOR (31.8)	AUTHOR (31.8)	AUTHOR (31.8)	AUTHOR (31.8)	AUTHOR (31.8)
SADDLE	PRIOLOGO Scratch 2	PRIOLOGO Scratch 2	PRIOLOGO Scratch 2 Space	PRIOLOGO Scratch 2 Space	AUTHOR Aura CR	AUTHOR Aura
SPEED	22	22	22	22	20	18
WEIGHT	6.9 kg / 58 cm	7.4 kg / 58 cm	8.2 kg / 58 cm	9.0 kg / 54 cm	9.4 kg / 54 cm	10.3 kg / 54 cm





	S/T c-t	S/T c-c	T/T h	T/T a	H/T	C/S	W/B	S/T ang.	H/T ang.	F/L	B/B drop	B/B width	F/R
<b>CHARISMA 77 * T 1.5" DI</b>													
540	540	488	550	544	120	410	979	73.3	73.3	365	67	86.5	43
560	560	511	563	560	135	410	993	73.4	73.4	365	67	86.5	43
580	578	540	574	574	155	410	995	73.0	74.0	365	64	86.5	43
600	600	550	585	582	175	410	1005	73.0	74.0	365	64	86.5	43
<b>CHARISMA 66 * T 1.5" DI / CHARISMA 55 * T 1.5" DI</b>													
520	520	480	550	543	110	410	977	73.0	73.3	365	67	86.5	43
540	540	488	550	544	120	410	979	73.3	73.3	365	67	86.5	43
560	560	511	563	560	135	410	993	73.4	73.4	365	67	86.5	43
580	578	540	574	574	155	410	995	73.0	74.0	365	64	86.5	43
600	600	550	585	582	175	410	1005	73.0	74.0	365	64	86.5	43
620	620	580	591	590	195	410	1011	73.0	74.0	365	64	86.5	43
<b>AURA 55 / 44 / 33 * T 1.5" DI</b>													
500	500	460	532	520	120	420	994	74.2	71.8	377	71	68	45
520	520	480	542	529	140	420	1000	74.0	72.2	377	70	68	45
540	540	500	556	543	160	420	1008	73.7	72.5	377	70	68	45
560	560	520	570	556	180	420	1016	73.3	72.8	377	69	68	45
580	580	540	583	568	200	420	1024	73.0	73.0	377	68	68	45

\* t 1.5" DI – integrated head set 1.5" tapered DI

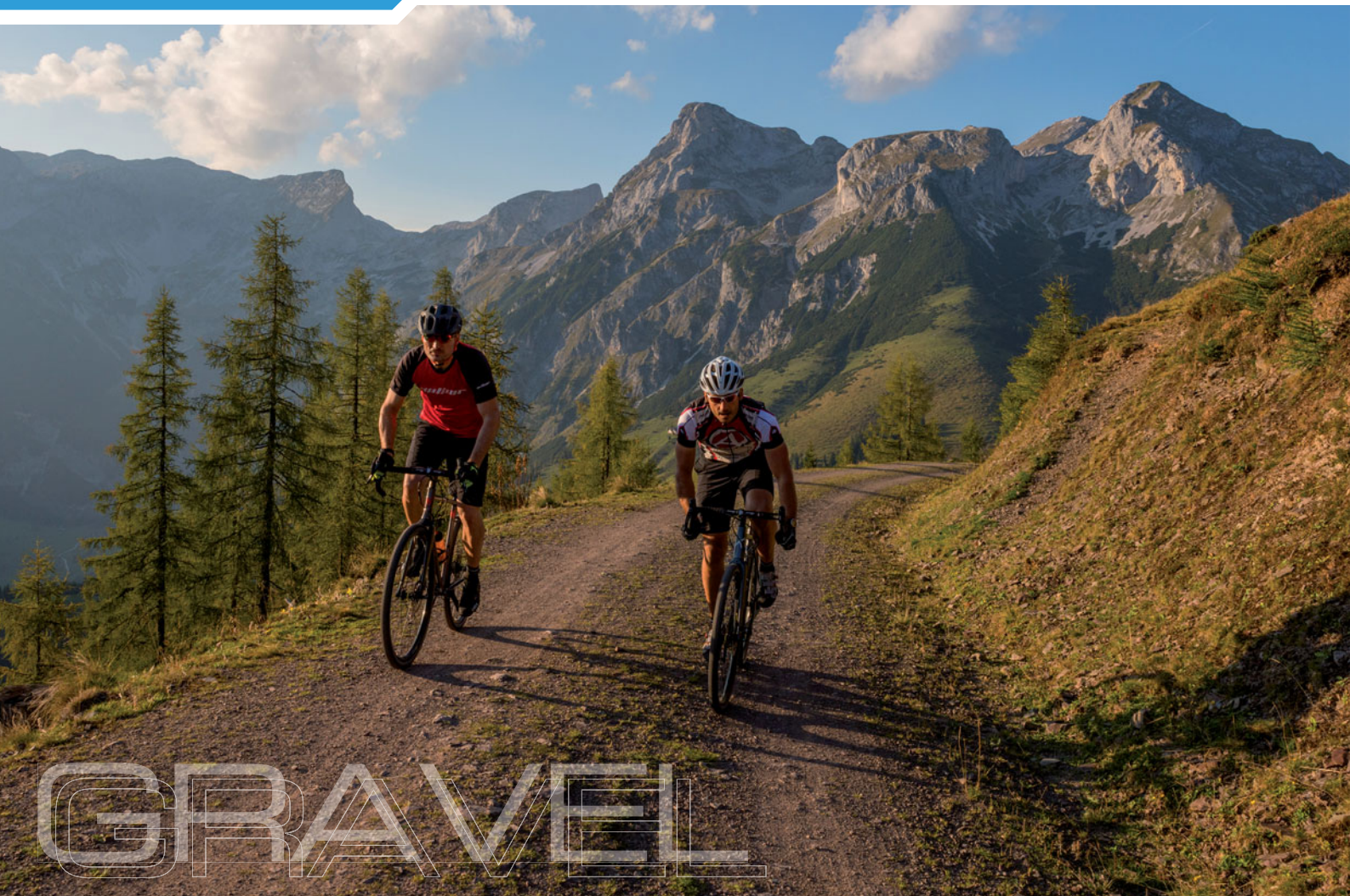
DI – Drop In

**GEOMETRY TABLE LEGEND:**

- S/T c-t – seat tube [center-top]
- S/T c-c – seat tube [center-center]
- T/T h – top tube horizontal
- T/T a – top tube actual
- H/T – head tube
- C/S – chain stay
- W/B – wheel base
- S/T ang. – seat tube angle
- H/T ang. – head tube angle
- F/L – fork length
- B/B drop – bottom bracket drop
- B/B width – bottom bracket width
- F/R – fork rake

Recommended frame size to the body height for each model you can find on our web site [www.author.eu](http://www.author.eu)





COLLECTION 2014



## AUTHOR Cr-Mo GRAVEL BIKE KONCEPT

### RONIN AND RONIN SL

Adventure, overcoming oneself, a classical product in the form of a cromoly steel frame, wide tires, disc brakes and mainly fun and new places exploring... This is precisely the new bicycle category offered by the Ronin and RONIN SL gravel bicycles. Those 2 models should fulfill your idea of modern, all purpose gravel bike on Cr-Mo frame, for no limit and boundaries' riding.

### RONIN SL

This year very successful model RONIN SL is upgraded for MY19 for conical head tube, which allows us to use 1.5" carbon fork tapered steerer's tube for bigger rider's comfort. Frame has also new drop out which is ready for rear stay 12x142 thru axle as well as for "flat mount" rear stay's caliper brake interface, which is becoming as a standard in this gravel category. We keep using Cr-Mo frame tubes named Reynolds 725.

### REYNOLDS CR 725 TB

Are Cr-Mo frame tubes using an industry standard steel alloy with mechanical properties similar to our famous 753 brand, Reynolds mandrel butt and heat-treat this alloy so that thinner walls can be used (down to 0.4 mm) compared to non-heat-treated steels, and so it is lower the frame's weight. 725 can be TIG welded.

Both models have a new geometry which follows AURA XR frame's platform.



## AUTHOR ALLOY GRAVEL

### AURA XR

We are expanding Gravel bikes fleet for 3 models on alloy frame. We believe in this category also thanks to the presence of similar bikes in the middle of Europe in the past and also for successful history of Czech cyclocross sport. There have always been such bikes in our area and also thanks to present popularity of Gravel bikes we are giving this category bigger space in our lineup. We also single and extend this category as well as having special and proper frame's geometry and new top / seat tube shape. The real frame's structural element's upgrade and also design neatness is the Inner Cable Routing (ICR) for both derailleurs and rear brake in the down tube. We stay with the AURA XR name, where XR means Cross Road (Cross shorted as X). Model names follow the AURA frame's platform, so AURA XR5/4 and 3. All 3 models are equipped by mechanical road disc brake calipers set on "flat mount" rear stay's interface. Those models use 35-38 mm wider tires. The front fork on 12x100 thru axle and also rear stay's clearance will be ready for those kinds of wider tires. AURA XR5 rear stay is strengthened by 12x142 mm rear axle.

### Frame's Structural Elements

1. the conical head tube compatible with the 1.5" fork's tapered steerer tube for Drop In head sets
2. noticeable front triangle's slopping
3. braze on type of direct FD mount
4. ICR for both derailleurs and rear brake in the down or top tube
5. flat mount rear stay's interface



1.



5.



3. / 4.





WHEEL SET



12x142

SRAM

1x11

12x100



## RONIN SL

FRAME	triple butted cromoly Reynolds
FORK	carbon / alloy 1.5" tapered
CHAINWHEEL	SRAM Apex (42 teeth)
REAR DERAILLEUR / SHIFTERS	SRAM Apex, 11 speed
CASSETTE	SRAM CS-PG 1130-A1, 11 speed (11-42 teeth)

BRAKES	SRAM Apex (160 mm), hydraulic
WHEEL SETS	MAVIC Allroad Disc CL UST
TIRES	Vittoria Terreno Dry Kevlar 700 x 38c
COLOR	Star Silver / California Orange / Carbon

SHIMANO

2x10



## RONIN

FRAME	triple butted cromoly
FORK	cromoly
CHAINWHEEL	Shimano Tiagra (50-34 teeth), BB unit
REAR DERAILLEUR / SHIFTERS	Shimano Tiagra, 20 speed

CASSETTE	Shimano CS-HG500-10, 10 speed (11-34 teeth)
BRAKES	Rever MCX2 (160 mm) mechanical
TIRES	Ritchey Cross Shield 700 x 35c
COLOR	Star Red





WHEEL SET



12x142



12x100



AURA XR5

FRAME	triple butted alloy 6061
FORK	carbon / alloy 1.5" tapered
CHAINWHEEL	Shimano Compact (50-34 teeth)
REAR DERAILLEUR / SHIFTERS	Shimano 105, 22 speed
CASSETTE	Shimano CS-R7000, 11 speed (11-32 teeth)

BRAKES	Rever MCX2 (160 mm) mechanical
WHEEL SET	Mavic Allroad Disc CL UST
TIRES	Vittoria Terreno Dry Kevlar 700 x 38c
COLOR	Matte Temple Grey / Extreme White

AURA XR5





SHIMANO  
2x10

12x100



## AURA XR4

FRAME triple butted alloy 6061

FORK carbon / alloy 1.5" tapered

CHAINWHEEL Shimano Tiagra Compact (50-34 teeth), BB unit

REAR DERAILLEUR / SHIFTERS Shimano Tiagra, 20 speed

CASSETTE Shimano CS-HG500-10, 10 speed (11-34 teeth)

BRAKES Rever MCX2 (160 mm) mechanical

TIRES Ritchey Cross Shield Kevlar 700 x 35c

COLOR Phantom Black / Racing Red

12x100



## AURA XR3

FRAME triple butted alloy 6061

FORK alloy 1.5" tapered

CHAINWHEEL Prowheel Ounce Compact (50-34 teeth)

REAR DERAILLEUR / SHIFTERS Shimano Sora, 18 speed

CASSETTE Shimano CS-HG400-9, 9 speed (11-32 teeth)

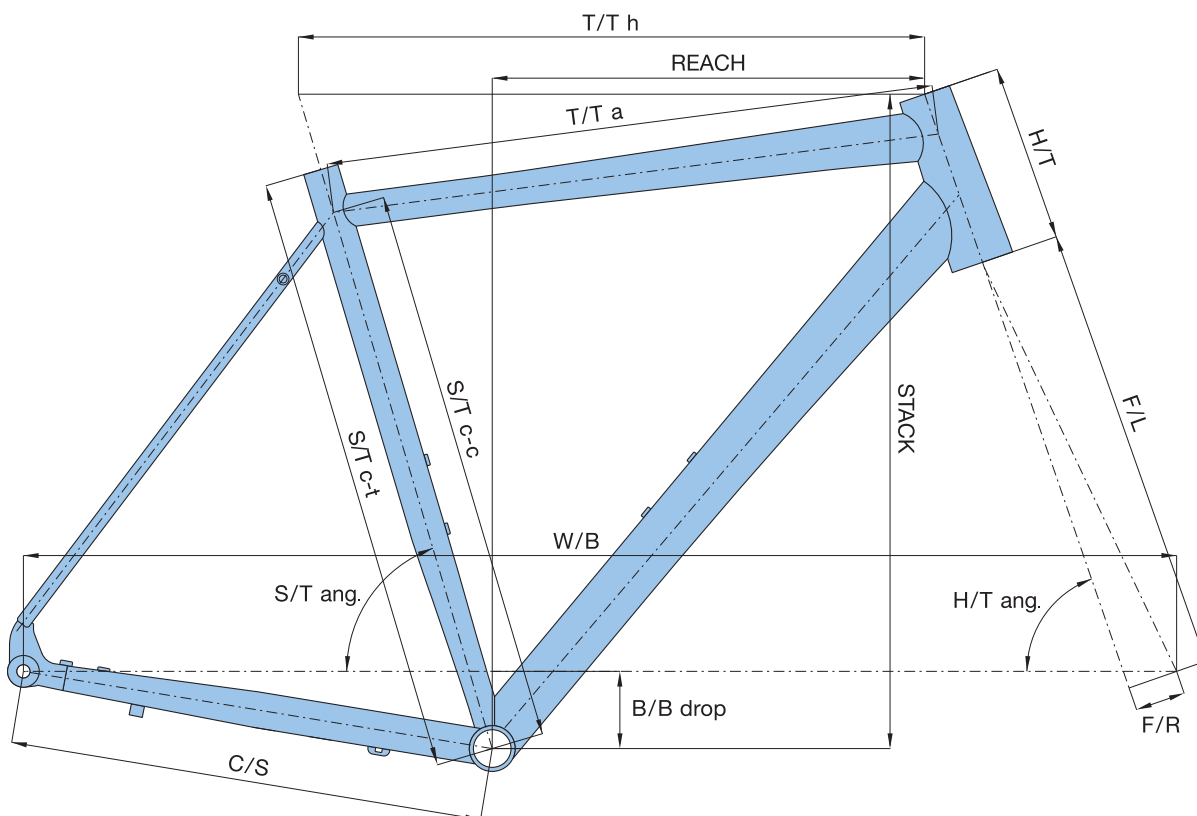
BRAKES Rever MCX2 (160 mm) mechanical

TIRES Ritchey Cross Shield 700 x 35c

COLOR Phantom Black / Kawa Green

MODEL	RONIN SL	RONIN	AURA XR5	AURA XR4	AURA XR3
SIZE	500, 520, 540, 560, 580 mm	500, 520, 540, 560, 580 mm	500, 520, 540, 560, 580 mm	500, 520, 540, 560, 580 mm	500, 520, 540, 560, 580 mm
FRAME	triple butted cromoly REYNOLDS	triple butted cromoly	triple butted alloy 6061	triple butted alloy 6061	triple butted alloy 6061
FRONT FORK	AUTHOR carbon legs, alloy steerer 1.5" tapered	cromoly 700C	AUTHOR carbon legs, alloy steerer 1.5" tapered	AUTHOR carbon legs, alloy steerer 1.5" tapered	AUTHOR alloy 1.5" tapered
HEAD PARTS	PRESTINE Integrated 1.5" tapered	PRESTINE 1-1/8"	PRESTINE Integrated 1.5" tapered	PRESTINE Integrated 1.5" tapered	PRESTINE Integrated 1.5" tapered
CHAINWHEEL	SRAM APEX 42 teeth 170 / 172.5 / 175 mm cranks	SHIMANO Tiagra Compact 50-34 teeth 170 / 172.5 / 175 mm cranks	SHIMANO Compact 50-34 teeth 170 / 172.5 / 175 mm cranks	SHIMANO Tiagra Compact 50-34 teeth 170 / 172.5 / 175 mm cranks	PROWHEEL Ounce Compact 50-34 teeth 170 / 172.5 / 175 mm cranks
B.B. PARTS	SRAM BB-GXP	SHIMANO BB-RS500 BB unit	SHIMANO BB-RS500 BB unit	SHIMANO BB-RS500 BB unit	SHIMANO BB-UN26 cartridge
FRONT DERAILLEUR	-	SHIMANO Tiagra (28.6)	SHIMANO 105	SHIMANO Tiagra	SHIMANO Sora
REAR DERAILLEUR	SRAM APEX	SHIMANO Tiagra	SHIMANO 105	SHIMANO Tiagra	SHIMANO Sora
SHIFTERS	SRAM APEX (11)	SHIMANO Tiagra (20)	SHIMANO 105 (22)	SHIMANO Tiagra (20)	SHIMANO Sora (18)
FREEWHEEL	SRAM PG-1130 11-42 (11)	SHIMANO HG500-10 11-34 (10)	SHIMANO R7000 11-32 (11)	SHIMANO HG500-10 11-34 (10)	SHIMANO HG400-9 11-32 (9)
CHAIN	SRAM CN-1110	KMC X10	KMC X11 EL	KMC X10	SHIMANO HG53
HUBS	MAVIC Allroad Disc CL UST wheel set 20 holes 12 x 100 mm thru front axle 12x142 mm rear axle	QUANDO Road Disc 32 holes	MAVIC Allroad Disc CL UST wheel set 20 holes 12 x 100 mm thru front axle 12 x 142 mm rear axle	QUANDO Road Disc 12 x 100 mm thru front axle 32 holes	QUANDO Road Disc 12 x 100 mm thru front axle 32 holes
BRAKES	SRAM Apex disc hydraulic (160 mm rotors)	REVER MCX2 disc mechanical (160 mm rotors)	REVER MCX2 disc mechanical (160 mm rotors)	REVER MCX2 disc mechanical (160 mm rotors)	REVER MCX2 disc mechanical (160 mm rotors)
BRAKE LEVERS	SRAM Apex	SHIMANO Tiagra	SHIMANO 105	SHIMANO Tiagra	SHIMANO Sora
RIMS	MAVIC Allroad Disc CL UST wheel set 20 holes	JALCO CR25D 32 holes	MAVIC Allroad Disc CL UST wheel set 20 holes	JALCO CR25D 32 holes	JALCO CR25D 32 holes
SPOKES	MAVIC	black stainless steel 1.8 mm	MAVIC	black stainless steel 2.0 mm	black stainless steel 2.0 mm
TIRES	VITTORIA Terreno Dry kevlar 700 x 38c	RITCHEY Cross Shield 700 x 35c	VITTORIA Terreno Dry kevlar 700 x 38c	RITCHEY Cross Shield kevlar 700 x 35c	RITCHEY Cross Shield 700 x 35c
PEDALS	-	-	-	-	-
HANDLEBAR	RITCHEY Road EvoMax 420 / 440 / 460 mm	PROMAX 420 / 440 / 460 mm	RITCHEY Road EvoMax 420 / 440 / 460 mm	PROMAX 420 / 440 / 460 mm	PROMAX 420 / 440 / 460 mm
TAPES	AUTHOR microfiber / gel	AUTHOR suede / gel	AUTHOR microfiber / gel	AUTHOR suede / gel	AUTHOR suede / gel
STEM	RITCHEY Comp 4-Axis	AUTHOR	RITCHEY Comp 4-Axis	AUTHOR	AUTHOR
SEAT POST	RITCHEY Comp (27.2)	AUTHOR (27.2)	RITCHEY 2B Comp (27.2)	AUTHOR (27.2)	AUTHOR (27.2)
SEAT CLAMP	AUTHOR (29.8)	AUTHOR (29.8)	AUTHOR (31.8)	AUTHOR (31.8)	AUTHOR (31.8)
SADDLE	AUTHOR Aura CR	AUTHOR Aura	AUTHOR Aura CR	AUTHOR Aura CR	AUTHOR Aura
SPEED	11	20	22	20	18
WEIGHT	10.5 kg / 52 cm	11.9 kg / 52 cm	9.9 kg / 54 cm	10.4 kg / 54 cm	10.9 kg / 54 cm





	S/T c-t	S/T c-c	T/T h	T/T a	H/T	C/S	W/B	S/T ang.	H/T ang.	F/L	B/B drop	B/B width	F/R	REACH	STACK
<b>RONIN SL * T 1.5" DI</b>															
500	500	460	530	516	120	425	1015	74.5	70.5	400	70	68	45	376	555
520	520	480	545	530	140	425	1021	74.0	71.0	400	70	68	45	381	573
540	540	500	560	543	160	425	1032	73.5	71.0	400	69	68	45	385	592
560	560	520	580	561	180	425	1042	73.0	71.5	400	68	68	45	392	615
580	580	540	595	574	200	425	1046	72.5	72.0	400	68	68	45	394	637
<b>RONIN</b>															
500	500	460	530	515	120	425	1015	74.5	70.5	408	70	68	45	374	563
520	520	480	545	523	140	425	1021	74.0	71.0	408	70	68	45	378	581
540	540	500	560	542	160	425	1032	73.5	71.0	408	69	68	45	382	600
560	560	520	580	560	180	425	1042	73.0	71.5	408	68	68	45	390	623
580	580	540	595	573	200	425	1046	72.5	72.0	408	68	68	45	392	645
<b>AURA XR5 / 4 / 3 * T 1.5" DI</b>															
500	500	460	530	518	120	425	1014	74.5	70.5	400	70	68	45	378	548
520	520	480	545	532	140	425	1020	74.0	71.0	400	70	68	45	382	568
540	540	500	560	546	160	425	1031	73.5	71.0	400	69	68	45	386	586
560	560	520	580	563	180	425	1042	73.0	71.5	400	68	68	45	395	606
580	580	540	595	576	200	425	1046	72.5	72.0	400	68	68	45	397	627

\* t 1.5" DI - integrated head set 1.5" tapered DI

DI - Drop In

**GEOMETRY TABLE LEGEND:**

S/T c-t - seat tube (center-top)

S/T c-c - seat tube (center-center)

T/T h - top tube horizontal

T/T a - top tube actual

H/T - head tube

C/S - chain stay

W/B - wheel base

S/T ang. - seat tube angle

H/T ang. - head tube angle

F/L - fork length

B/B drop - bottom bracket drop

B/B width - bottom bracket width

F/R - fork rake

REACH - the horizontal distance from the center of the bottom bracket / crank to the top middle point of the head tube

STACK - the vertical distance from the center of the frame's bottom bracket / crank to the top middle point of the head tube

Recommended frame size to the body height for each model you can find on our web site [www.author.eu](http://www.author.eu)







## A-RAY FRAME PLATFORM'S SUSPENSION SYSTEM

For model year of 2019 we are coming again with the offer of full suspension bikes in the category of Cross Country (XC) and Trail. We have designed frame platform, which we have named again as A-RAY and so we are coming 4 years back, where this name presented XC marathon bike on 26" wheels with 100 mm rear stay travel.

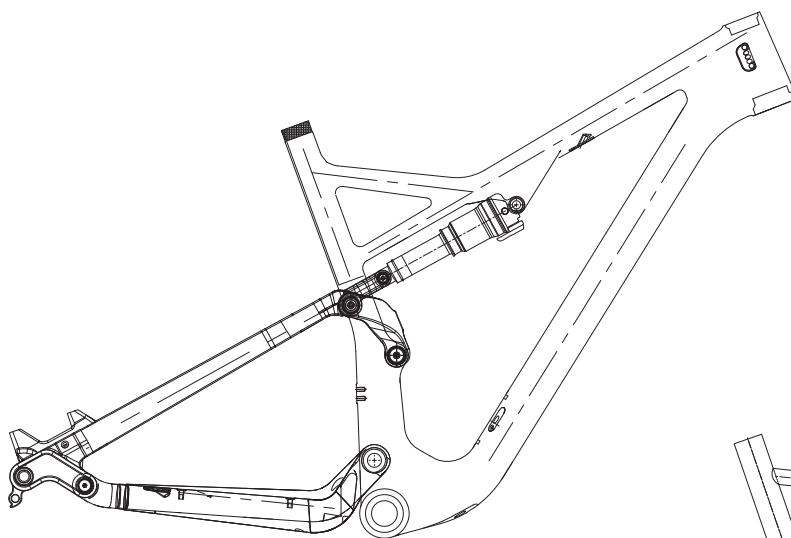
But the things are moving, the time like the bikes and so that's why both of 2 bikes will be on 29" wheels. They are called: A-RAY 29 TEAM (on carbon frame), or A-RAY 29 (on alloy frame) and both of them will have again 100 mm rear stay travel at disposal. Those two XC 29" bikes are ensembled by Trail bike A-RAY, which will be on 27.5" wheels and rear stay will move in 130 mm.

### A-RAY FRAME PLATFORM'S SUSPENSION SYSTEM

The frame suspension is using classic 4-pivot system, so called Horst Link with the main pivot mounted through the seat tube and rear stay pivot positioned in front and below rear wheel axle. This rear stay design is just perfect technical solution for XC and Trail fully suspended bikes, because due to this kinematic the rear stay doesn't move by itself and so the frame is not losing the energy from the pedaling. This frame kinematic feature is supported by appropriate choice of the rear shocks included their set up, so called "tuning" which was made exactly for those 3 bike models.

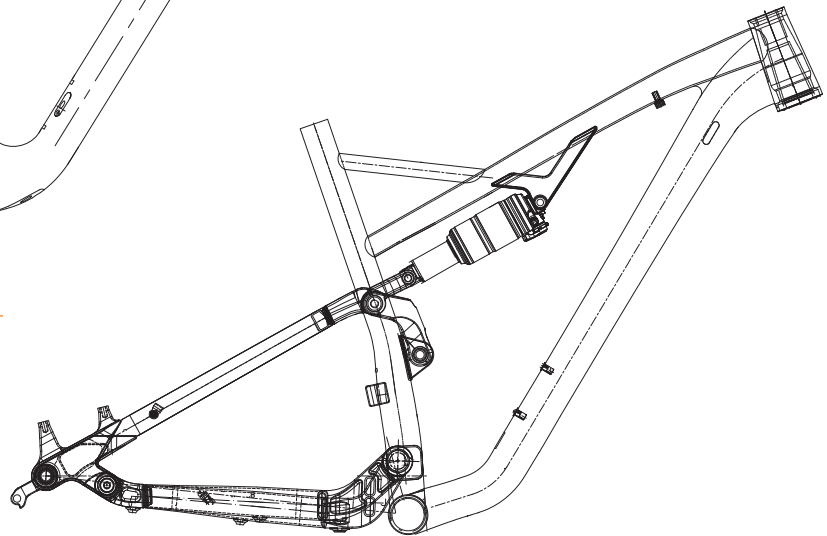
Frame itself is compatible with all new and modern standards, which are being used these days in modern XC MTB, so it is ready for Boost rear hub 12x148 mm, front derailleur Direct Mount Side Swing, Press Fit BB 92PF, 1.5" tapered head tube and also frame inner cable routing for both derailleur's and rear hydraulic brake is a commonplace. The entire frame technical specification and drawing for all 3 frames are shown below.

All 3 frames were designed in the cooperation with Swiss Design and Engineering company ICTM AG, which is focused especially on those 2 suspension bike categories.



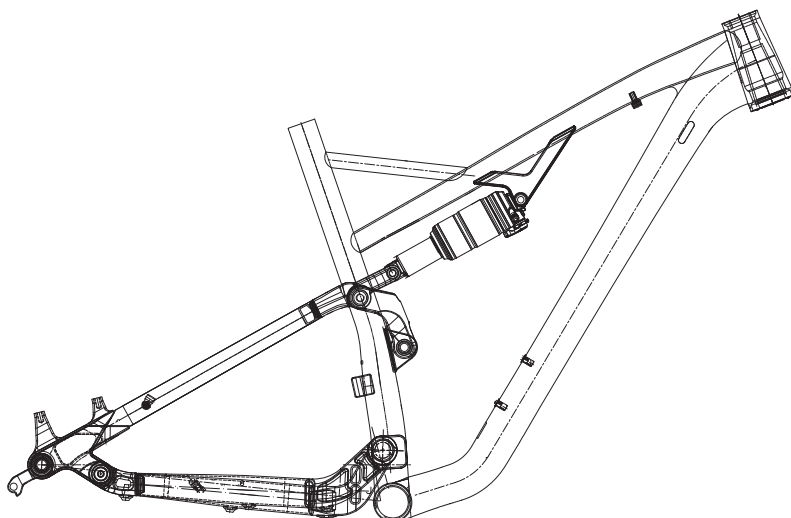
#### A-RAY 29 TEAM

Rear wheel travel 100 mm  
Shock length 184 mm / travel 44 mm  
Leverage ratio 2.3  
Shock hardware 8x22.2 / 22.2 mm  
Rear axle Boost 12x148  
BB shell Press Fit BB 92 PF  
Head set 1.5" Drop In  
Front derailleur Direct Mount Side Swing  
Seat post 31.6 mm



#### A-RAY 29

Rear wheel travel 101 mm  
Shock length 184 mm / travel 44 mm  
Leverage ratio 2.3  
Shock hardware 8x22.2 / 22.2 mm  
Rear axle Boost 12x148  
BB shell Press Fit BB 92 PF  
Head set 1.5" Drop In  
Front derailleur Direct Mount Side Swing  
Seat post 31.6 mm



#### A-RAY

Rear wheel travel 133 mm  
Shock length 200 mm / travel 51 mm  
Leverage ratio 2.6  
Shock hardware 8x22.2 / 22.2 mm  
Rear axle Boost 12x148  
BB shell Press Fit BB 92 PF  
Head set 1.5" Drop In  
Front derailleur Direct Mount Side Swing  
Seat post 31.6 mm



WHEEL SET



Boost 12x148



AUTHOR CARBON MONOCOQUE

Boost 15x110



**A-RAY 29 TEAM**

<b>FRAME</b>	Author High modulus carbon T-800 monocoque 29", (100 mm travel)
<b>REAR SHOCKER</b>	Fox Float DPS, (184 / 44 mm)
<b>FORK</b>	Fox 32 Float SC 29 Remote, 15 mm axle, 1.5" tapered, (100 mm travel)
<b>CHAINWHEEL</b>	SRAM Eagle GX Boost (34 teeth), BB unit
<b>REAR DERAILLEUR / SHIFTERS</b>	SRAM Eagle GX, 12 speed

<b>CASSETTE</b>	SRAM Eagle CS-XG 1275, 12 speed (10-50 teeth)
<b>BRAKES</b>	Shimano XT (7")
<b>WHEEL SETS</b>	Mavic Crossmax Pro 29 UST
<b>TIRES</b>	Vittoria Barzo Kevlar TNT 29" x 2.10"
<b>COLOR</b>	Matte Carbon / Neon Yellow / Phantom Black



WHEEL SET

Boost 12x148



15x100



**A-RAY 29**

<b>FRAME</b>	double butted alloy 6061 29", (100 mm travel)
<b>REAR SHOCKER</b>	Rock Shox Monarch RL HVI (184 / 44 mm)
<b>FORK</b>	ROCK SHOX Recon Gold RL Remote 29 15 Solo Air, 15 mm axle, 1.5" tapered (100 mm travel)
<b>CHAINWHEEL</b>	Shimano SLX Boost (36-26 teeth)
<b>REAR DERAILLEUR / SHIFTERS</b>	Shimano XT / SLX, 22 speed

<b>CASSETTE</b>	Shimano CS-M7000-11, 11 speed (11-42 teeth)
<b>BRAKES</b>	Shimano Deore (7")
<b>WHEEL SETS</b>	Mavic XA 29
<b>TIRES</b>	Vittoria Barzo Kevlar 29" x 2.25"
<b>COLOR</b>	Matte Phantom Black / Racing Red





Boost 12x148



Boost 15x110



**A-RAY**

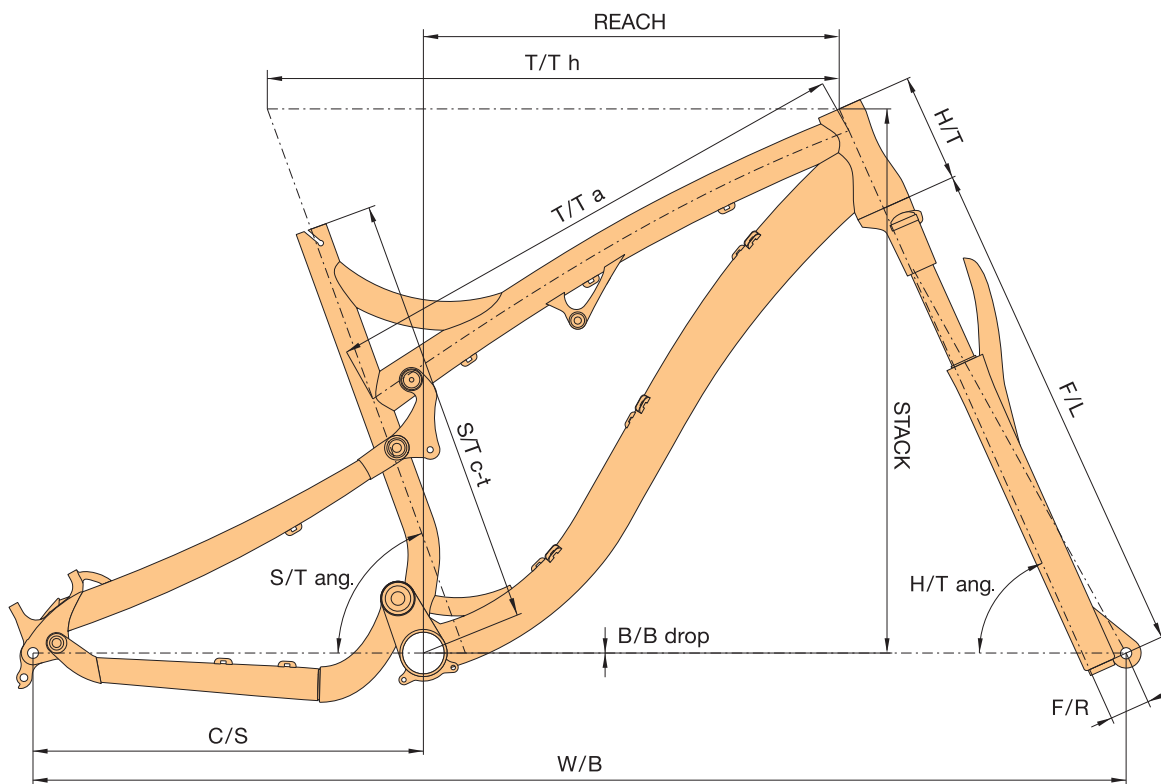
<b>FRAME</b>	double butted alloy 6061 27.5", (130 mm travel)
<b>REAR SHOCKER</b>	Rock Shox Monarch RL HVI (200 / 51 mm)
<b>FORK</b>	ROCK SHOX Recon Gold RL Remote 27 15 Solo Air, 15 mm axle, 1.5" tapered (130 mm travel)
<b>CHAINWHEEL</b>	Shimano SLX Boost (36-26 teeth)
<b>REAR DERAILLEUR / SHIFTERS</b>	Shimano XT / SLX, 22 speed
<b>CASSETTE</b>	Shimano CS-M7000-11, 11 speed (11-42 teeth)

<b>BRAKES</b>	Shimano Deore (7")
<b>WHEEL SETS</b>	Mavic XA 27.5
<b>TIRES</b>	Vittoria Barzo Kevlar 27.5" x 2.25"
<b>SEAT POST</b>	Kind Shock E30i, remote control
<b>COLOR</b>	Matte Phantom Black / Racing Red



MODEL	A-RAY 29 TEAM	A-RAY 29	A-RAY
SIZE	17.5", 19", 21"	17.5", 19", 21"	17.5", 19", 21"
FRAME	High modulus karbon T-800 monocoque 29" air shocker FOX Float DPS 184 / 44 mm (rear travel 100 mm)	double butted alloy 6061 29" air shocker ROCK SHOX Monarch RL HVI 184 / 44 mm (rear travel 100 mm)	double butted alloy 6061 27.5" air shocker ROCK SHOX Monarch RL HVI 200 / 51 mm (rear travel 130 mm)
FRONT FORK	FOX Float SC 29 100 Remote air, lock out 15 mm thru axle 1.5" tapered steerer (100 mm)	ROCK SHOX Recon Gold RL Remote 29 15 Solo Air air, lock out 15 mm thru axle 1.5" tapered steerer (100 mm)	ROCK SHOX Recon Gold RL Remote 27 15 Solo Air air, lock out 15 mm thru axle 1.5" tapered steerer (130 mm)
HEAD PARTS	PRESTINE Integrated 1.5" tapered	PRESTINE Integrated 1.5" tapered	PRESTINE Integrated 1.5" tapered
CHAINWHEEL	SRAM Eagle GX-1-B1 (Boost) 34 teeth 175 mm cranks	SHIMANO SLX-B2 (Boost) 36-26 teeth 170 / 175 mm cranks	SHIMANO SLX-B2 (Boost) 36-26 teeth 170 / 175 mm cranks
B.B. PARTS	SRAM BB DUB PF MTB 92	SHIMANO BB-MT800 PF type	SHIMANO BB-MT800 PF type
FRONT DERAILLEUR	-	SHIMANO SLX	SHIMANO SLX
REAR DERAILLEUR	SRAM Eagle GX	SHIMANO XT	SHIMANO XT
SHIFTERS	SRAM Eagle GX (12)	SHIMANO SLX (22)	SHIMANO SLX (22)
FREEWHEEL	SRAM GX1275 10-50 (12)	SHIMANO M7000-11 11-42 (11)	SHIMANO M7000-11 11-42 (11)
CHAIN	SRAM Eagle GX-1	SHIMANO HG601	SHIMANO HG601
HUBS	MAVIC Crossmax Pro 29 wheel set 24 holes boost 15 x 110 mm thru front axle boost 12 x 148 mm thru rear axle	MAVIC XA 29 wheel set 24 holes boost 15 x 110 mm thru front axle boost 12 x 148 mm thru rear axle	MAVIC XA 27.5 wheel set 24 holes boost 15 x 110 mm thru front axle boost 12 x 148 mm thru rear axle
BRAKES	SHIMANO XT disc hydraulic (7" rotors)	SHIMANO Deore disc hydraulic (7" rotors)	SHIMANO Deore disc hydraulic (7" rotors)
BRAKE LEVERS	SHIMANO XT	SHIMANO Deore	SHIMANO Deore
RIMS	MAVIC Crossmax Pro 29 wheel set 24 holes	MAVIC XA 29 wheel set 24 holes	MAVIC XA 27.5 wheel set 24 holes
SPOKES	MAVIC	MAVIC	MAVIC
TIRES	VITTORIA Barzo TNT kevlar 29" x 2.10" tubeless ready	VITTORIA Barzo kevlar 29" x 2.25"	VITTORIA Barzo kevlar 27.5" x 2.25"
PEDALS	-	-	-
HANDLEBAR	RITCHEY WCS Flat 10° 9° 700 mm	RITCHEY MTN Comp 2x9D 9° 700 mm	RITCHEY MTN Rizer Trail 20mm 9° 710 / 740 mm
GRIPS	AUTHOR Pro Lock	AUTHOR Pro Lock	AUTHOR Pro Lock
STEM	RITCHEY WCS C220	RITCHEY Comp 4-Axis	RITCHEY Trail
SEAT POST	RITCHEY WCS Carbon (31.6)	RITCHEY Comp (31.6)	KIND SHOCK E30i remote control adjustable (31.6)
SEAT CLAMP	AUTHOR (34.9)	AUTHOR (34.9)	AUTHOR (34.9)
SADDLE	PROLOGO X Zero II Tirox	PROLOGO Nago Evo X10	AUTHOR Patriot
SPEED	12	22	22
WEIGHT	10.7 kg / 19"	13.6 kg / 19"	14.4 kg / 19"





	S/T c-t	T/T h	T/T a	H/T	C/S	W/B	S/T ang.	H/T ang.	F/L	B/B drop	B/B width	F/R	REACH	STACK
<b>A-RAY 29 TEAM* t 1.5" DI</b>														
17.5"	445	580	548	105	440	1120	74.5	68.8	501	45	92	51	416	591
19"	483	600	563	115	440	1141	74.5	68.8	501	45	92	51	433	601
21"	533	630	586	125	440	1172	74.5	68.8	501	45	92	51	461	610
<b>A-RAY 29* t 1.5" DI</b>														
17.5"	445	580	550	105	440	1123	74.7	68.5	501	46	92	51	418	593
19"	483	600	568	115	440	1141	74.3	68.5	501	46	92	51	433	602
21"	533	630	594	125	440	1171	74.3	68.5	501	46	92	51	459	611
<b>A-RAY* t 1.5" DI</b>														
17.5"	445	577	550	110	435	1133	74.8	67.5	517	21	92	44	418	583
19"	483	597	566	120	435	1152	74.5	67.5	517	21	92	44	433	592
21"	533	628	595	135	435	1183	74.4	67.5	517	21	92	44	459	606

\* t 1.5" DI - integrated head set 1.5" tapered DI

DI - Drop In

**GEOMETRY TABLE LEGEND:**

- S/T c-t - seat tube (center-top)
- T/T h - top tube horizontal
- T/T a - top tube actual
- H/T - head tube
- C/S - chain stay
- W/B - wheel base
- S/T ang. - seat tube angle
- H/T ang. - head tube angle
- F/L - fork length
- B/B drop - bottom bracket drop
- B/B width - bottom bracket width
- F/R - fork rake
- REACH - the horizontal distance from the center of the bottom bracket / crank to the top middle point of the head tube
- STACK - the vertical distance from the center of the frame's bottom bracket / crank to the top middle point of the head tube

Recommended frame size to the body height for each model you can find on our web site [www.author.eu](http://www.author.eu)



# MTB 29





## AUTHOR CARBON MTB 29"

After 2 years of development, we are coming again with a brand new carbon frame for 29" bikes. This category is being pushed and developed almost every day and so we are trying to follow the trends and be "in". We will use this frame for 5 top models. Shape wise it again follows our very original 27.5" carbon frame. The bend in the top section of the frame is noticeable and the top tube smoothly merges into the seat stay. Thus it resembles a shape of a bow. By using this 29" frame into our collection we are having all our carbon frames similar looking. This new frame has also all the modern design frame structural elements – shorter rear stay just 435 mm long and also inner derailleurs and rear brake cable routing. Rear stay is ready for Boost rear axle 12x148 mm standard as well as for tire width up to 2.35". Cranks need to be Boost as well. Front derailleur specification is E-type with side swing front pull. BB shell calls back for classic type, so BSA threaded version. By having all this, frame really follows all design and structural elements of the XC MTB modern age.

A hard tail carbon frame designated specifically for the 29" wheels is made again using the AUTHOR MONOCOQUE CARBON TECHNOLOGY. It is therefore the connection of front triangle with chain and seat stay to form a single-piece frame monocoque. Thanks to new production facility and innovative technology of our main carbon maker Carbotec, the frame will be stiffer and also lighter for about 60-100g depends on the frame size.

### Frame's Structural Elements

1. direct Post Mount (PM) interface on the rear left chain stay ready for 6" rotor
2. rear stay drop outs ready for Boost thru axle 12x148 mm
3. the conical head tube compatible with the 1.5" fork's tapered steerer tube
4. Inner Cable Routing (ICR) for both derailleurs and rear brake led through the frame's tube (newly E-type with side swing front pull through down tube for front derailleur)
5. application of the stainless steel stickers on the chain stay
6. foremost seat tube for shorter rear stay (now 435 mm, 438 mm before)
7. eccentric chain stay (bigger room for rear tire, chain etc.)

Models MAGNUM 29, SECTOR 29, MASTER 29, REVOLT 29 and MODUS 29 are offered in 3 sizes: 17.5; 19 and 21".



1.



2.



3. / 4.



5. / 6. / 7.

## AUTHOR ALLOY MTB 29"

For model year 2019 we are offering 12 models on alloy 29" frames – EGOIST 29, VISION 29, ORION 29, CONTEXT 29, INSTINCT 29, TRACTION 29, RADIUS 29, SPIRIT 29, PEGAS 29, SOLUTION 29, IMPULSE 29 and RIVAL 29 in 3 frame sizes: 17, 19 a 21".

Models EGOIST 29, VISION 29, ORION 29, CONTEXT 29, INSTINCT 29, TRACTION 29, RADIUS 29, SPIRIT 29 and PEGAS 29 are on an alloy frame which is bow shaped and came up as an alloy replica of our 27.5" MTB carbon frame. We have really upgraded this frame for next year.

### Frame's Structural Elements

1. new drop out with direct Post Mount (PM) interface prepared for 6" rotor in between the chain and seat stay
2. the conical head tube compatible with the 1.5" fork's tapered steerer tube
3. new and thinner seat stay of  $\varnothing 16 \times 1.8$  mm
4. rear stay drop outs ready for thru axle 12x142 mm (VISION 29, EGOIST 29 a ORION 29)
5. newly rear derailleur, rear brake and side swing front derailleur inner cable routing through down tube (EGOIST 29, VISION 29, ORION 29, CONTEXT 29, INSTINCT 29 and TRACTION 29)
6. newly rear derailleur and side swing front derailleur inner cable routing through down tube (RADIUS 29, SPIRIT 29 and PEGAS 29)
7. rear derailleur's direct mount (SHIMANO DMRD standard)



Models SOLUTION 29, IMPULSE 29 and RIVAL 29 (so called LOGIC II) have from model year 2019 new "trail" geometry, which makes them playful on high speed and in the rough terrain but especially giving them more comfort and safety during common bike ride in on and off terrain. Those bikes are made to be everyday trail bike or commuting vehicle for affordable price.





WHEEL SET



Boost 12x148



AUTHOR CARBON MONOCOQUE

Boost 15x110



MAGNUM 29

FRAME	Author A carbon monocoque
FORK	FOX 32 Float SC 29 100 Remote, 15 mm thru axle, 1.5" tapered steerer (100 mm travel)
CHAINWHEEL	SRAM Eagle XO Boost (36 teeth), 175 mm cranks
REAR DERAILLEUR / SHIFTERS	SRAM Eagle XO / GX, 12 speed
CASSETTE	SRAM Eagle CS-XG 1275, 12 speed (10-50 teeth)

BRAKES	Shimano XT (6"), hydraulic
WHEEL SET	Mavic Crossmax Pro 29 UST
TIRES	Vittoria Barzo Kevlar TNT 29" x 2.10"
COLOR	Matte Carbon / Neon Yellow / Phantom Black



Boost 12x148



WHEEL SET



Boost 15x110



SECTOR 29

FRAME	Author B carbon monocoque
FORK	FOX 32 Float SC 29 100 Remote, 15 mm thru axle, 1.5" tapered steerer (100 mm travel)
CHAINWHEEL	Shimano XT Boost (38-28 teeth), 175 mm cranks
REAR DERAILLEUR / SHIFTERS	Shimano XT "clutch" / XT, 22 speed
CASSETTE	Shimano CS-M7000-11, 11 speed (11-42 teeth)

BRAKES	Shimano SLX (6"), hydraulic
WHEEL SET	Mavic XA 29
TIRES	Vittoria Barzo Kevlar 29" x 2.25"
COLOR	Matte Carbon / Author Red / Phantom Black





Boost 12x148



15x100



MASTER 29

FRAME	Author C carbon monocoque
FORK	ROCK SHOX Recon Gold RL Remote 29 15 Solo Air, 15 mm axle, 1.5" tapered (100 mm travel)
CHAINWHEEL	SRAM Eagle NX Boost (34 teeth), 170 / 175 mm cranks
REAR DERAILLEUR / SHIFTERS	SRAM Eagle NX, 12 speed

CASSETTE	SRAM Eagle CS-XG 1275, 12 speed (10-50 teeth)
BRAKES	Shimano Deore (7"), hydraulic
TIRES	Vittoria Barzo Kevlar 29" x 2.25"
COLOR	Matte Carbon / Mc Laren Silver



Boost 12x148



15x100



REVOLT 29

FRAME	Author C carbon monocoque
FORK	ROCK SHOX Recon Gold RL Remote 29 15 Solo Air, 15 mm axle, 1.5" tapered (100 mm travel)
CHAINWHEEL	Shimano SLX Boost (38-28 teeth), 170 / 175 mm cranks
REAR DERAILLEUR / SHIFTERS	Shimano XT / SLX, 22 speed

CASSETTE	Shimano CS-M7000-11, 11 speed (11-42 teeth)
BRAKES	Shimano Deore (7"), hydraulic
TIRES	Vittoria Barzo Kevlar 29" x 2.25"
COLOR	Matte Carbon / Extreme White





Boost 12x148

SHIMANO  
2x10

15x100



## MODUS 29

FRAME	Author C carbon monocoque	CASSETTE	Shimano CS-HG500-10, 10 speed (11-42 teeth)
FORK	RST F1RST 29 15 TRL, 15 mm axle, 1.5" tapered (100 mm travel)	BRAKES	Tektro Gemini (7"), hydraulic
CHAINWHEEL	Shimano Deore Boost (36-26 teeth), 170 / 175 mm cranks	TIRES	Vittoria Barzo Kevlar 29" x 2.25"
REAR DERAILLEUR / SHIFTERS	Shimano Deore, 20 speed	COLOR	Matte Carbon / Neon Yellow / Phantom Black



WHEEL SET

12x142

SHIMANO  
2x11

Boost 15x110



## EGOIST 29

FRAME	triple butted hydroformed alloy 6061	BRAKES	Shimano SLX (6"), hydraulic
FORK	FOX 32 Float SC 29 Remote, 15 mm axle, 1.5" tapered (100 mm travel)	WHEEL SET	Mavic XA 29
CHAINWHEEL	Shimano XT (38-28 teeth), 170 / 175 mm cranks	TIRES	Vittoria Barzo Kevlar 29" x 2.25"
REAR DERAILLEUR / SHIFTERS	Shimano XT "clutch" / XT, 22 speed	COLOR	Matte Phantom Black
CASSETTE	Shimano CS-M7000-11, 11 speed (11-42 teeth)		

**SHIMANO**  
2x11

12x142

15x100



VISION 29

FRAME	triple butted hydroformed alloy 6061
FORK	ROCK SHOX Recon Gold RL Remote 29 15 Solo Air, 15 mm axle, 1.5" tapered (100 mm travel)
CHAINWHEEL	Shimano SLX (38-28 teeth)
REAR DERAILLEUR / SHIFTERS	Shimano XT / SLX , 22 speed

CASSETTE	Shimano CS-HG601-11, 11 speed (11-42 teeth)
BRAKES	Shimano Deore (7"), hydraulic
TIRES	Vittoria Barzo Kevlar 29" x 2.25"
COLOR	Matte Phantom Black

**SRAM**  
1x12



12x142

15x100



ORION 29

FRAME	triple butted hydroformed alloy 6061
FORK	RST F1RST 29 15 TRL, (100 mm travel)
CHAINWHEEL	SRAM Eagle NX (34 teeth), 170 / 175 mm cranks
REAR DERAILLEUR / SHIFTERS	SRAM Eagle NX, 12 speed

CASSETTE	SRAM Eagle CS-PG 1230, 12 speed (11-50 teeth)
BRAKES	Shimano BT M400 (7"), hydraulic
TIRES	Vittoria Barzo Kevlar 29" x 2.25"
COLOR	Mc Laren Silver / Phantom Black



SHIMANO  
1x11

15x100



## CONTEXT 29

FRAME	triple butted hydroformed alloy 6061 29"	CASSETTE	Shimano CS-M7000-11, 11 speed (11-46 teeth)
FORK	RST F1RST 29 15 TRL, (100 mm travel)	BRAKES	Tektro Gemini (7"), hydraulic
CHAINWHEEL	Suntour Aion (34 teeth), 170 / 175 mm cranks	TIRES	Vittoria Barzo Kevlar 29" x 2.25"
REAR DERAILLEUR / SHIFTERS	SHIMANO XT / SHIMANO SLX, 11 speed	COLOR	Phantom Black / Racing Red

CONTEXT 29



CONTEXT 29



SHIMANO  
2x10

15x100



INSTINCT 29

FRAME	double butted hydroformed alloy 6061	CASSETTE	Shimano CS-HG500-10, 10 speed (11-42 teeth)
FORK	RST F1RST 29 15 TRL (100 mm travel)	BRAKES	Shimano BT M400 (7"), hydraulic
CHAINWHEEL	Shimano (38-24 teeth), 170 / 175 mm cranks	TIRES	Vittoria Barzo Kevlar 29" x 2.25"
REAR DERAILLEUR / SHIFTERS	Shimano Deore, 20 speed	COLOR	Matte Temple Grey / Neon Yellow

SHIMANO  
2x10



TRACTION 29

FRAME	double butted hydroformed alloy 6061	CASSETTE	Shimano CS-HG500-10, 10 speed (11-42 teeth)
FORK	RST Aerial 29 TnL (100 mm travel)	BRAKES	Tektro Gemini (7"), hydraulic
CHAINWHEEL	Shimano (38-24 teeth), 170 / 175 mm cranks	TIRES	Vittoria Barzo Kevlar 29" x 2.25"
REAR DERAILLEUR / SHIFTERS	Shimano Deore, 20 speed	COLOR	Matte Phantom Black



**SHIMANO**  
2x10



### RADIUS 29

FRAME	hydroformed alloy 6061	CASSETTE	Shimano CS-HG500-10, 10 speed (11-42 teeth)
FORK	RST Aerial 29 TnL (100 mm travel)	BRAKES	Tektro Auriga (7"), hydraulic
CHAINWHEEL	Shimano (38-24 teeth), 170 / 175 mm cranks	TIRES	Author Rocket 29" x 2.10"
REAR DERAILLEUR / SHIFTERS	Shimano Deore, 20 speed	COLOR	Treasure Silver / Racing Red / Phantom Black



### SPIRIT 29

FRAME	hydroformed alloy 6061	CASSETTE	Shimano CS-HG400-9, 9 speed (11-34 teeth)
FORK	RST Aerial 29 TnL (100 mm travel)	BRAKES	Tektro Auriga (7"), hydraulic
CHAINWHEEL	Shimano M 4000 (40-30-22 teeth), Octalink	TIRES	Author Rocket 29" x 2.10"
REAR DERAILLEUR / SHIFTERS	Shimano Alivio, 27 speed	COLOR	Matte Phantom Black / Kawa Green



PEGAS 29 [A]

FRAME	hydroformed alloy 6061	CASSETTE	Shimano CS-HG200-9, 9 speed (11-34 teeth)
FORK	RST Blaze 29 TnL (100 mm travel)	BRAKES	Tektro Auriga (7"), hydraulic
CHAINWHEEL	Suntour XCM (40-30-22 teeth)	TIRES	Author Rocket 29" x 2.10"
REAR DERAILLEUR / SHIFTERS	Shimano Acera, 27 speed	COLOR A	Author Red / Phantom Black



PEGAS 29 [B]

FRAME	hydroformed alloy 6061	CASSETTE	Shimano CS-HG200-9, 9 speed (11-34 teeth)
FORK	RST Blaze 29 TnL (100 mm travel)	BRAKES	Tektro Auriga (7"), hydraulic
CHAINWHEEL	Suntour XCM (40-30-22 teeth)	TIRES	Author Rocket 29" x 2.10"
REAR DERAILLEUR / SHIFTERS	Shimano Acera, 27 speed	COLOR B	Matte Ritual Silver / Neon Yellow





SOLUTION 29 [A]

FRAME	alloy 6061	CASSETTE	Shimano CS-HG200-9, 9 speed (11-34 teeth)
FORK	RST Blaze 29 ML (100 mm travel)	BRAKES	Tektro Auriga (7"), hydraulic
CHAINWHEEL	Suntour XCM (40-30-22 teeth)	TIRES	Author Rocket 29" x 2.10"
REAR DERAILLEUR / SHIFTERS	Shimano Altus, 27 speed	COLOR A	Matte Treasure Silver / Lime / Andaman Sea / Phantom Black



SOLUTION 29 [B]

FRAME	alloy 6061	CASSETTE	Shimano CS-HG200-9, 9 speed (11-34 teeth)
FORK	RST Blaze 29 ML (100 mm travel)	BRAKES	Tektro Auriga (7"), hydraulic
CHAINWHEEL	Suntour XCM (40-30-22 teeth)	TIRES	Author Rocket 29" x 2.10"
REAR DERAILLEUR / SHIFTERS	Shimano Altus, 27 speed	COLOR B	Matte Phantom Black / Racing Red / Canary Yellow



IMPULSE 29 [A]

FRAME	alloy 6061	CASSETTE	Shimano CS-HG200-8, 8 speed (12-32 teeth)
FORK	RST Blaze 29 ML (100 mm travel)	BRAKES	Tektro (6"), hydraulic
CHAINWHEEL	Prowheel (42-34-24 teeth)	TIRES	Author Rocket 29" x 2.10"
REAR DERAILLEUR / SHIFTERS	Shimano Altus, 24 speed	COLOR A	Matte Ritual Silver / Kawa Green



IMPULSE 29 [B]

FRAME	alloy 6061	CASSETTE	Shimano CS-HG200-8, 8 speed (12-32 teeth)
FORK	RST Blaze 29 ML (100 mm travel)	BRAKES	Tektro (6"), hydraulic
CHAINWHEEL	Prowheel (42-34-24 teeth)	TIRES	Author Rocket 29" x 2.10"
REAR DERAILLEUR / SHIFTERS	Shimano Altus, 24 speed	COLOR B	Author Red / Italien Sky / Phantom Black





RIVAL 29 [A]

FRAME	alloy 6061	CASSETTE	Shimano CS-HG200-8, 8 speed (12-32 teeth)
FORK	RST Blaze 29 ML (100 mm travel)	BRAKES	Tektro (6"), hydraulic
CHAINWHEEL	Prowheel (42-34-24 teeth)	TIRES	Author Rocket 29" x 2.10"
REAR DERAILLEUR / SHIFTERS	Shimano TX800, 24 speed	COLOR A	Kawa Green / Italien Blue / Phantom Black



RIVAL 29 [B]

FRAME	alloy 6061	CASSETTE	Shimano CS-HG200-8, 8 speed (12-32 teeth)
FORK	RST Blaze 29 ML (100 mm travel)	BRAKES	Tektro (6"), hydraulic
CHAINWHEEL	Prowheel (42-34-24 teeth)	TIRES	Author Rocket 29" x 2.10"
REAR DERAILLEUR / SHIFTERS	Shimano TX800, 24 speed	COLOR B	Matná Phantom Black / Racing Red / Neon Orange

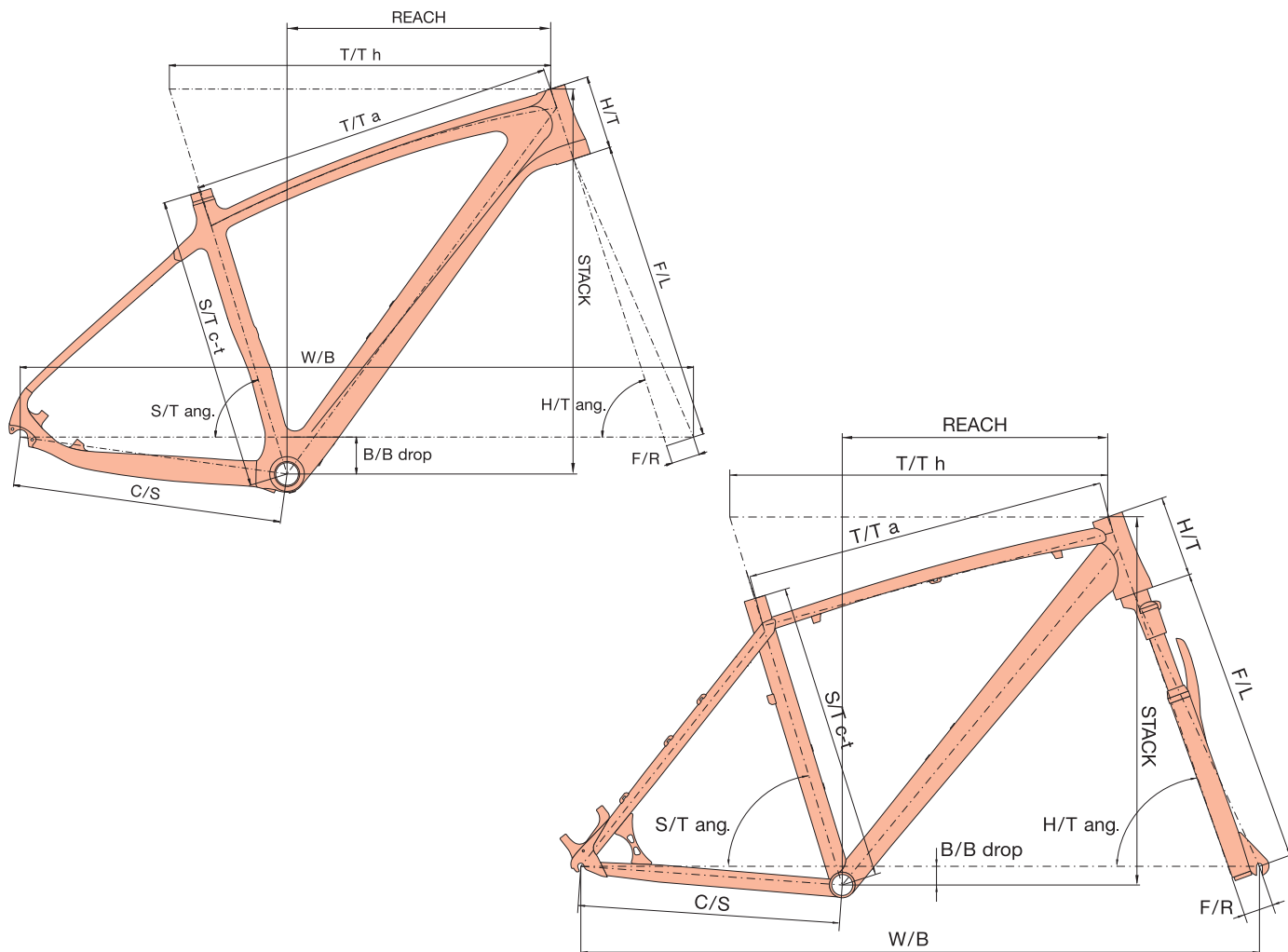
MODEL	MAGNUM 29	SECTOR 29	MASTER 29	REVOLT 29	MODUS 29
SIZE	17.5", 19", 21"	17.5", 19", 21"	17.5", 19", 21"	17.5", 19", 21"	17.5", 19", 21"
FRAME	AUTHOR A carbon monocoque 29"	AUTHOR B carbon monocoque 29"	AUTHOR C carbon monocoque 29"	AUTHOR C carbon monocoque 29"	AUTHOR C carbon monocoque 29"
FRONT FORK	FOX 32 Float SC 29 100 Remote air, remote lock out 15 mm thru axle 1.5" tapered steerer (100 mm)	FOX 32 Float SC 29 100 Remote air, remote lock out 15 mm thru axle 1.5" tapered steerer (100 mm)	ROCK SHOX Recon Gold RL Remote 29 15 Solo Air air, remote lock out 15 mm thru axle 1.5" tapered steerer (100 mm)	ROCK SHOX Recon Gold RL Remote 29 15 Solo Air air, remote lock out 15 mm thru axle 1.5" tapered steerer (100 mm)	RST F1RST 29 15 TRL air, remote lock out 15 mm thru axle 1.5" tapered steerer (100 mm)
HEAD PARTS	AUTHOR Integrated 1.5" tapered	AUTHOR Integrated 1.5" tapered	AUTHOR Integrated 1.5" tapered	AUTHOR Integrated 1.5" tapered	AUTHOR Integrated 1.5" tapered
CHAINWHEEL	SRAM Eagle X01 (Boost) 36 teeth 175 mm cranks	SHIMANO XT (Boost) 38-28 teeth 175 mm cranks	SRAM Eagle NX (Boost) 34 teeth 170 / 175 mm cranks	SHIMANO SLX (Boost) 38-28 teeth 170 / 175 mm cranks	SHIMANO (Boost) 36-26 teeth 170 / 175 mm cranks
B.B. PARTS	SRAM BB DUB BSA MTB 73	SHIMANO BB-MT800 BB unit	SRAM BB DUB BSA MTB 73	SHIMANO BB-MT800 BB unit	SHIMANO BB-52 BB unit
FRONT DERAILLEUR	-	SHIMANO XT	-	SHIMANO SLX	SHIMANO Deore
REAR DERAILLEUR	SRAM Eagle X01	SHIMANO XT "clutch"	SRAM Eagle NX	SHIMANO XT	SHIMANO Deore
SHIFTERS	SRAM Eagle GX (12)	SHIMANO XT (22)	SRAM Eagle NX (12)	SHIMANO SLX (22)	SHIMANO Deore (20)
FREEWHEEL	SRAM GX1275 10-50 (12)	SHIMANO M7000-11 11-42 (11)	SRAM GX1275 10-50 (12)	SHIMANO M7000-11 11-42 (11)	SHIMANO HG500-10 11-42 (10)
CHAIN	SRAM Eagle GX-1	SHIMANO HG601	SRAM Eagle NX-1	SHIMANO HG601	KMC X10
HUBS	MAVIC Crossmax Pro 29 wheel set 24 holes Boost 15 x 110 mm thru front axle Boost 12 x 148 mm thru rear axle	MAVIC XA 29 wheel set 24 holes Boost 15 x 110 mm thru front axle Boost 12 x 148 mm thru rear axle	AUTHOR Helium 15 / Krypton 12 15 x 100 mm thru front axle Boost 12 x 148 mm thru rear axle 32 holes	AUTHOR Helium 15 / Krypton 12 15 x 100 mm thru front axle Boost 12 x 148 mm thru rear axle 32 holes	AUTHOR Helium 15 / Krypton 12 15 x 100 mm thru front axle Boost 12 x 148 mm thru rear axle 32 holes
BRAKES	SHIMANO XT disc hydraulic (6" rotors)	SHIMANO SLX disc hydraulic (6" rotors)	SHIMANO Deore disc hydraulic (7" rotors)	SHIMANO Deore disc hydraulic (7" rotors)	TEKTRO Gemini disc hydraulic (7" rotors)
BRAKE LEVERS	SHIMANO XT	SHIMANO SLX	SHIMANO Deore	SHIMANO Deore	TEKTRO Gemini
RIMS	MAVIC Crossmax Pro 29 wheel set 24 holes	MAVIC XA 29 wheel set 24 holes	AUTHOR Krypton 29 32 holes	AUTHOR Krypton 29 32 holes	AUTHOR Xenon Pro 29 32 holes
SPOKES	MAVIC	MAVIC	black stainless steel 2.0 mm	black stainless steel 2.0 mm	black stainless steel 2.0 mm
TIRES	VITTORIA Barzo kevlar TNT 29" x 2.10"	VITTORIA Barzo kevlar 29" x 2.25"	VITTORIA Barzo kevlar 29" x 2.25"	VITTORIA Barzo kevlar 29" x 2.25"	VITTORIA Barzo kevlar 29" x 2.25"
PEDALS	-	-	-	-	-
HANDLEBAR	RITCHEY WCS Flat karbon 9° 680 mm	RITCHEY WCS Flat 10° 660 / 700 mm	RITCHEY Comp Flat 10° 660 / 700 mm	RITCHEY Comp Flat 10° 660 / 700 mm	AUTHOR Flatbar 9° 700 mm
GRIPS	AUTHOR Pro Lock	AUTHOR Pro Lock	AUTHOR Pro Lock	AUTHOR Pro Lock	AUTHOR Pro Lock
STEM	RITCHEY WCS C220	RITCHEY WCS C220	RITCHEY Comp 4-Axis	RITCHEY Comp 4-Axis	AUTHOR alloy
SEAT POST	RITCHEY WCS carbon (31.6)	RITCHEY Comp Carbon (31.6)	RITCHEY Comp (31.6)	RITCHEY Comp (31.6)	AUTHOR alloy (31.6)
SEAT CLAMP	AUTHOR (34.9)	AUTHOR (34.9)	AUTHOR (34.9)	AUTHOR (34.9)	AUTHOR (34.9)
SADDLE	PROLOGO X Zero II	PROLOGO Nago Evo X10	PROLOGO Nago Evo X10	PROLOGO Nago Evo X10	AUTHOR Navigator
SPEED	12	22	12	22	20
WEIGHT	9.4 kg / 19"	10.7 kg / 19"	11.0 kg / 19"	11.7 kg / 19"	12.2 kg / 19"



MODEL	EGDIST 29	VISION 29	ORION 29	CONTEXT 29	INSTINCT 29	TRACTION 29
SIZE	17", 19", 21"	17", 19", 21"	17", 19", 21"	17", 19", 21"	17", 19", 21"	17", 19", 21"
FRAME	triple butted hydroformed alloy 6061 29"	triple butted hydroformed alloy 6061 29"	triple butted hydroformed alloy 6061 29"	triple butted hydroformed alloy 6061 29"	double butted hydroformed alloy 6061 29"	double butted hydroformed alloy 6061 29"
FRONT FORK	FOX 32 Float SC 27.5 100 Remote air, remote lock out 15 mm thru axle 1.5" tapered steerer (100 mm)	ROCK SHOX Recon Gold RL Remote 29 15 Solo Air air, remote lock out 15 mm thru axle 1.5" tapered steerer (100 mm)	RST F1RST 29 15 TRL air, remote lock out (100 mm)	RST F1RST 29 15 TRL air, remote lock out (100 mm)	RST F1RST 29 15 TRL air, remote lock out (100 mm)	RST Aerial 29 TnL air, lock out (100 mm)
HEAD PARTS	FSA Orbit 1.5B 1.5" tapered	FSA Orbit 1.5B 1.5" tapered	FSA Integrated 1.5" tapered	FSA Integrated 1.5" tapered	FSA Integrated 1.5" tapered	AUTHOR Integrated 1.5" tapered
CHAINWHEEL	SHIMANO XT 38-28 teeth 170 / 175 mm cranks	SHIMANO SLX 38-28 teeth 170 / 175 mm cranks	SRAM Eagle NX 34 teeth 170 / 175 mm cranks	SUNTOUR Aion 34 teeth 170 / 175 mm cranks	SHIMANO 38-24 teeth 170 / 175 mm cranks	SHIMANO 38-24 teeth 170 / 175 mm cranks
B. B. PARTS	SHIMANO BB-MT800 BB unit	SHIMANO BB-MT800 BB unit	SRAM BB DUB BSA MTB 73	SUNTOUR BB unit	SHIMANO BB-52 BB unit	SHIMANO BB-52 BB unit
FRONT DERAILLEUR	SHIMANO XT (34.9)	SHIMANO SLX (34.9)	-	-	SHIMANO Deore (34.9)	SHIMANO Deore (34.9)
REAR DERAILLEUR	SHIMANO XT "clutch"	SHIMANO XT	SRAM Eagle NX	SHIMANO XT	SHIMANO Deore	SHIMANO Deore
SHIFTERS	SHIMANO XT (22)	SHIMANO SLX (22)	SRAM Eagle NX (12)	SHIMANO SLX (11)	SHIMANO Deore (20)	SHIMANO Deore (20)
FREEWHEEL	SHIMANO M7000-11 11-42 (11)	SHIMANO M7000-11 11-42 (11)	SRAM PG1230 11-50 (12)	SHIMANO M7000-11 11-46 (11)	SHIMANO HG500-10 11-42 (10)	SHIMANO HG500-10 11-42 (10)
CHAIN	SHIMANO HG601	SHIMANO HG601	SRAM Eagle NX-1	SHIMANO HG601	KMC X10-1	KMC X10-1
HUBS	MAVIC XA 29 wheel set 24 holes Boost 15 x 110 mm thru front axle 12 x 142 mm thru rear axle	AUTHOR Helium 15 / Xenon 12 15 x 100 mm thru front axle 12 x 142 mm thru rear axle 32 holes	AUTHOR Helium 15 / SUNRACE 15 x 100 mm thru front axle 12 x 142 mm thru rear axle 32 holes	AUTHOR Xenon 32 holes	AUTHOR Helium 15 / Xenon 15 x 100mm thru axle 32 holes	AUTHOR Radon 32 holes
BRAKES	SHIMANO SLX disc hydraulic (6" rotors)	SHIMANO Deore disc hydraulic (7" rotors)	SHIMANO BR MT400 disc hydraulic (7" rotors)	TEKTRO Gemini disc hydraulic (7" rotors)	SHIMANO BR MT400 disc hydraulic (7" rotors)	TEKTRO Gemini disc hydraulic (7" rotors)
BRAKE LEVERS	SHIMANO SLX	SHIMANO Deore	SHIMANO BL MT400	TEKTRO Gemini	SHIMANO BL MT400	TEKTRO Gemini
RIMS	MAVIC XA 29 wheel set 24 holes	AUTHOR Krypton 29 32 holes	AUTHOR Xenon Pro 29 32 holes	AUTHOR Xenon Pro 29 32 holes	AUTHOR Xenon Pro 29 32 holes	AUTHOR Xenon Pro 29 32 holes
SPOKES	MAVIC	black stainless steel 2.0 mm	black stainless steel 2.0 mm	black stainless steel 2.0 mm	black stainless steel 2.0 mm	black stainless steel 2.0 mm
TIRES	VITTORIA Barzo kevlar 29" x 2.25"	VITTORIA Barzo kevlar 29" x 2.25"	VITTORIA Barzo kevlar 29" x 2.25"	VITTORIA Barzo kevlar 29" x 2.25"	VITTORIA Barzo kevlar 29" x 2.25"	VITTORIA Barzo kevlar 29" x 2.25"
PEDALS	-	-	-	-	-	AUTHOR alloy
HANDLEBAR	RITCHEY WCS Flat 10° 660 / 700 mm	RITCHEY Comp Flat 10° 660 / 700 mm	AUTHOR Flatbar 9° 700 mm	AUTHOR Flatbar 9° 700 mm	AUTHOR Flatbar 9° 700 mm	AUTHOR Flatbar 9° 700 mm
GRIPS	AUTHOR Pro Lock	AUTHOR Pro Lock	AUTHOR Pro Lock	AUTHOR Pro Lock	AUTHOR Pro Lock	AUTHOR Pro Lock
STEM	RITCHEY WCS C220	RITCHEY Comp 4-Axis	AUTHOR alloy	AUTHOR alloy	AUTHOR alloy	AUTHOR alloy
SEAT POST	RITCHEY Comp Carbon (31.6)	RITCHEY Comp (31.6)	AUTHOR alloy (31.6)	AUTHOR alloy (31.6)	AUTHOR alloy (31.6)	AUTHOR alloy (31.6)
SEAT CLAMP	AUTHOR (34.9)	AUTHOR (34.9)	AUTHOR (34.9)	AUTHOR (34.9)	AUTHOR (34.9)	AUTHOR (34.9)
SADDLE	PROLOGO Nago Evo X10	PROLOGO Nago Evo X10	AUTHOR Navigator	AUTHOR Navigator	AUTHOR Navigator	AUTHOR Navigator
SPEED	22	22	12	11	20	20
WEIGHT	11.4 kg / 19"	12.1 kg / 19"	12.1 kg / 19"	11.9 kg / 19"	12.5 kg / 19"	13.2 kg / 19"

MODEL	RADIUS 29	SPIRIT 29	PEGAS 29	SOLUTION 29	IMPULSE 29	RIVAL 29
SIZE	17", 19", 21"	17", 19", 21"	17", 19", 21"	17", 19", 21"	17", 19", 21"	17", 19", 21"
FRAME	hydroformed alloy 6061 29"	hydroformed alloy 6061 29"	hydroformed alloy 6061 29"	alloy 6061 29"	alloy 6061 29"	alloy 6061 29"
FRONT FORK	RST Aerial 29 TnL air, lock out (100 mm)	RST Aerial 29 TnL air, lock out (100 mm)	RST Blaze 29 TnL air, lock out (100 mm)	RST Blaze 29 ML oil, lock out (100 mm)	RST Blaze 29 ML oil, lock out (100 mm)	RST Blaze 29 ML oil, lock out (100 mm)
HEAD PARTS	AUTHOR Integrated 1.5" tapered	AUTHOR Integrated 1.5" tapered	AUTHOR Integrated 1.5" tapered	AUTHOR Integrated 1-1/8"	PRESTINE Integrated 1-1/8"	PRESTINE Integrated 1-1/8"
CHAINWHEEL	SHIMANO 38-24 teeth 170 / 175 mm cranks	SHIMANO M4000 40-30-22 teeth 170 / 175 mm cranks	SUNTOUR XCM 40-30-22 teeth 170 / 175 mm cranks	SUNTOUR XCM 40-30-22 teeth 170 / 175 mm cranks	PROWHEEL 42-34-24 teeth 170 / 175 mm cranks	PROWHEEL 42-34-24 teeth 170 / 175 mm cranks
B. B. PARTS	SHIMANO BB-52 BB unit	SHIMANO ES300 Octalink	SUNTOUR XCT cartridge	SUNTOUR XCT cartridge	VP COMP cartridge	VP COMP cartridge
FRONT DERAILLEUR	SHIMANO Deore (34.9)	SHIMANO Alivio (34.9)	SHIMANO Alivio (34.9)	SHIMANO Acera (34.9)	SHIMANO TY700 (34.9)	SHIMANO TY700 (34.9)
REAR DERAILLEUR	SHIMANO Deore	SHIMANO Alivio	SHIMANO Acera	SHIMANO Altus	SHIMANO Altus	SHIMANO TX800
SHIFTERS	SHIMANO Deore (20)	SHIMANO Alivio (27)	SHIMANO Acera (27)	SHIMANO Altus (27)	SHIMANO Altus (24)	SHIMANO TX800 (24)
FREEWHEEL	SHIMANO HG500-10 11-42 (10)	SHIMANO HG400-9 11-34 (9)	SHIMANO HG200-9 11-34 (9)	SHIMANO HG200-9 11-34 (9)	SHIMANO HG200-8 12-32 (8)	SHIMANO HG200-8 12-32 (8)
CHAIN	KMC X10-1	KMC Z9	KMC Z9	KMC Z9	KMC Z8.1	KMC Z8.1
HUBS	QUANDO Disc 32 holes	QUANDO Disc 32 holes	QUANDO Disc 32 holes	QUANDO Disc 32 holes	QUANDO Disc 32 holes	QUANDO Disc 32 holes
BRAKES	TEKTRO Auriga disc hydraulic (7" rotors)	TEKTRO Auriga disc hydraulic (7" rotors)	TEKTRO Auriga disc hydraulic (7" rotors)	TEKTRO Auriga disc hydraulic (7" rotors)	TEKTRO disc hydraulic (6" rotors)	TEKTRO disc mechanical (6" rotors)
BRAKE LEVERS	TEKTRO Auriga	TEKTRO Auriga	TEKTRO Auriga	TEKTRO Auriga	TEKTRO	SHIMANO TX800
RIMS	AUTHOR Xenon 29 32 holes	AUTHOR Xenon 29 32 holes	AUTHOR Xenon 29 32 holes	AUTHOR Xenon 29 32 holes	AUTHOR Xenon 29 32 holes	AUTHOR Xenon 29 32 holes
SPOKES	black steel	black steel	black steel	black steel	black steel	black steel
TIRES	AUTHOR Rocket 29" x 2.10"	AUTHOR Rocket 29" x 2.10"	AUTHOR Rocket 29" x 2.10"	AUTHOR Rocket 29" x 2.10"	AUTHOR Rocket 29" x 2.10"	AUTHOR Rocket 29" x 2.10"
PEDALS	AUTHOR alloy	AUTHOR alloy	AUTHOR alloy	resin	resin	resin
HANDLEBAR	AUTHOR Flatbar 9° 700 mm	AUTHOR Flatbar 9° 700 mm	AUTHOR Flatbar 9° 700 mm	AUTHOR Flatbar 10° 700 mm	AUTHOR Flatbar 10° 700 mm	AUTHOR Flatbar 10° 700 mm
GRIPS	AUTHOR Pro Lock	AUTHOR Pro Lock	AUTHOR Pro Lock	AUTHOR kratton rubber	AUTHOR kratton rubber	AUTHOR kratton rubber
STEM	AUTHOR alloy	AUTHOR alloy	AUTHOR alloy	AUTHOR alloy	AUTHOR alloy	AUTHOR alloy
SEAT POST	AUTHOR alloy (31.6)	AUTHOR alloy (31.6)	AUTHOR alloy (31.6)	AUTHOR alloy (31.6)	AUTHOR alloy (31.6)	AUTHOR alloy (31.6)
SEAT CLAMP	AUTHOR (34.9)	AUTHOR (34.9)	AUTHOR (34.9)	AUTHOR (34.9)	AUTHOR (34.9)	AUTHOR (34.9)
SADDLE	AUTHOR Navigator	AUTHOR Navigator	AUTHOR Navigator	AUTHOR Courier	AUTHOR Courier	AUTHOR Courier
SPEED	20	27	27	27	24	24
WEIGHT	14.3 kg / 19"	14.5 kg / 19"	15.3 kg / 19"	14.9 kg / 19"	14.8 kg / 19"	15.1 kg / 19"





	S/T c-t	T/T h	T/T a	H/T	C/S	W/B	S/T ang.	H/T ang.	F/L	B/B drop	B/B width	F/R	REACH	STACK
<b>MAGNUM 29* T 1.5" DI / SECTOR 29* T 1.5" DI / MASTER 29* T 1.5" DI / REVOLT 29* T 1.5" DI / MODUS 29* T 1.5" DI</b>														
17.5	454	620	586	110	435	1114	73.0	70.0	510	60	73	46	428	628
19	480	630	595	120	435	1124	73.0	70.0	510	60	73	46	435	637
21	530	650	616	130	435	1145	73.0	70.0	510	60	73	46	451	646
<b>EGOIST 29* T 1.5" PF / VISION 29* T 1.5" PF / ORION 29* T 1.5" PF / CONTEXT 29* T 1.5" PF / INSTINCT 29* T 1.5" PF / TRACTION 29* T 1.5" PF</b>														
17"	432	605	584	110	443	1113	73.0	70.0	510	61	73	51	413	629
19"	483	625	600	120	443	1133	73.0	70.0	510	61	73	51	430	638
21"	535	645	619	130	443	1154	73.0	70.0	510	61	73	51	447	648
<b>RADIUS 29* T 1.5" / SPIRIT 29* T 1.5" PF / PEGAS 29* T 1.5" PF</b>														
17"	432	600	580	115	445	1120	73.0	69.0	510	63	73	51	408	628
19"	483	620	596	130	445	1141	73.0	69.0	510	63	73	51	424	642
21"	535	640	614	140	445	1162	73.0	69.0	510	63	73	51	441	652
<b>SOLUTION 29* / IMPULSE 29* / RIVAL 29*</b>														
17"	432	600	581	115	445	1120	73.0	69.0	510	63	68	51	407	632
19"	483	620	596	130	445	1141	73.0	69.0	510	63	68	51	423	646
21"	535	640	614	140	445	1162	73.0	69.0	510	63	68	51	440	655

\* t 1.5" DI - integrated head set 1.5" tapered DI  
 \* t 1.5" PF - 1.5" semiintegrated head set PF  
 \* - 1 1/8" semiintegrated head set PF 50 mm

DI - Drop In  
 PF - Press Fit

**GEOMETRY TABLE LEGEND:**

- S/T c-t - seat tube (center-top)
- T/T h - top tube horizontal
- T/T a - top tube actual
- H/T - head tube
- C/S - chain stay
- W/B - wheel base
- S/T ang. - seat tube angle
- H/T ang. - head tube angle
- F/L - fork length
- B/B drop - bottom bracket drop
- B/B width - bottom bracket width
- F/R - fork rake
- REACH - the horizontal distance from the center of the bottom bracket / crank to the top middle point of the head tube
- STACK - the vertical distance from the center of the frame's bottom bracket / crank to the top middle point of the head tube

Recommended frame size to the body height for each model you can find on our web site [www.author.eu](http://www.author.eu)





COLLECTION 2015



## AUTHOR MTB ASL 29"

Exactly after 10 years, when we firstly had 29" bike models in our collection, as one of the first in Czech Rep. at that time, we are now coming with ASL women 29" models. The same way like at that time, we are bringing TRACTION 29, now as an ASL version. To not have only single model in this category, we gave it another 2 more partners – SPIRIT ASL 29 and SOLUTION ASL 29. They all will be offered in 2 frame sizes 16 a 18".

### Frame's Structural Elements

1. new drop out with direct Post Mount (PM) interface prepared for 6" rotor in between the chain and seat stay (TRACTION 29 ASL)
2. the conical head tube compatible with the 1.5" fork's tapered steerer tube
3. convexly bended top tube
4. new and thinner seat stay of  $\varnothing 16 \times 1.8$  mm
5. newly rear derailleur, rear brake and side swing front derailleur inner cable routing through down tube (TRACTION 29 ASL)
6. newly rear derailleur and side swing front derailleur inner cable routing through down tube (SPIRIT 29 ASL)
7. rear derailleur's direct mount (SHIMANO DMRD standard)



SHIMANO  
2x10



TRACTION 29 ASL

FRAME	double butted hydroformed alloy 6061 (ASL)	CASSETTE	Shimano CS-HG500-10, 10 speed (11-42 teeth)
FORK	RST Aerial 29 TnL (100 mm travel)	BRAKES	Tektro Gemini WS (7"), hydraulic
CHAINWHEEL	Shimano (38-24 teeth), 170 / 175 mm cranks	TIRES	Vittoria Barzo Kevlar 29" x 2.25"
REAR DERAILLEUR / SHIFTERS	Shimano Deore, 20 speed	COLOR	Matte Ritual Silver



SPIRIT 29 ASL

FRAME	hydroformed alloy 6061 (ASL)	CASSETTE	Shimano CS-HG400-9, 9 speed (11-34 teeth)
FORK	RST Aerial 29 TnL (100 mm travel)	BRAKES	Tektro Auriga WS (7"), hydraulic
CHAINWHEEL	Shimano M4000 (40-30-22 teeth), 170 / 175 mm cranks	TIRES	Author Speed Master 29" x 2.00"
REAR DERAILLEUR / SHIFTERS	Shimano Alivio, 27 speed	COLOR A	Extreme White / Racing Red / Ritual Silver





SOLUTION 29 ASL [A]

FRAME	alloy 6061 (ASL)	CASSETTE	Shimano CS-HG200-9, 9 speed (11-34 teeth)
FORK	RST Blaze 29 ML (100 mm travel)	BRAKES	Tektro Auriga WS (6"), hydraulic
CHAINWHEEL	Suntour XCM (40-30-22 teeth)	TIRES	Author Speed Master 29" x 2.00"
REAR DERAILEUR / SHIFTERS	Shimano Altus, 27 speed	COLOR A	Extreme White / Racing Red

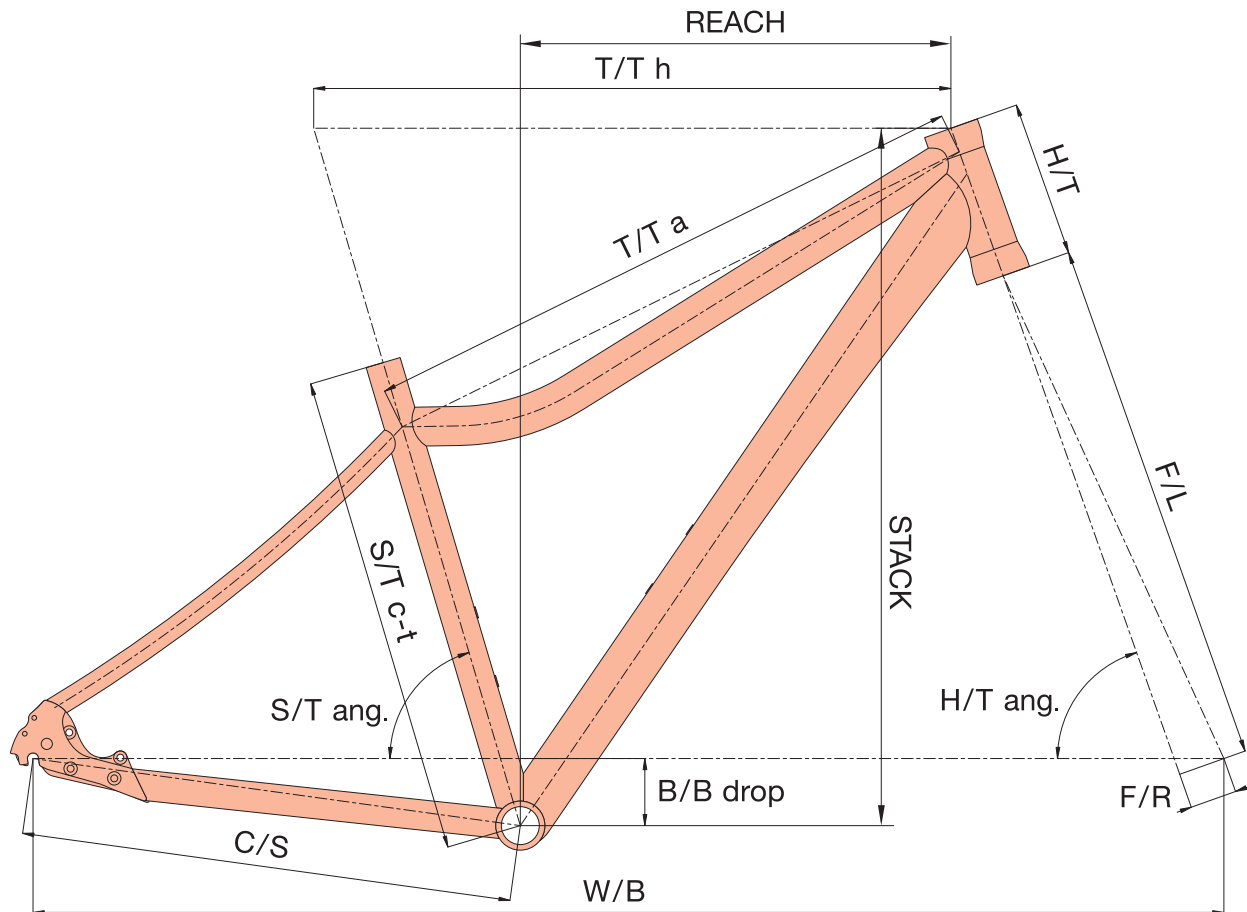


SOLUTION 29 ASL [B]

FRAME	alloy 6061 (ASL)	CASSETTE	Shimano CS-HG200-9, 9 speed (11-34 teeth)
FORK	RST Blaze 29 ML (100 mm travel)	BRAKES	Tektro Auriga WS (6"), hydraulic
CHAINWHEEL	Suntour XCM (40-30-22 teeth)	TIRES	Author Speed Master 29" x 2.00"
REAR DERAILEUR / SHIFTERS	Shimano Altus, 27 speed	COLOR B	Matte Ritual Silver / Suzy Pink

MODEL	TRACTION 29 ASL	SPIRIT 29 ASL	SOLUTION 29 ASL
SIZE	16", 18"	16", 18"	16", 18"
FRAME	double butted hydroformed alloy 6061 29" (ASL)	hydroformed alloy 6061 29" (ASL)	alloy 6061 29" (ASL)
FRONT FORK	RST Aerial 29 TnL air, lock out (100 mm)	RST Aerial 29 TnL air, lock out (100 mm)	RST Blaze 29 ML oil, lock out (100 mm)
HEAD PARTS	AUTHOR Integrated 1.5" tapered	AUTHOR Integrated 1.5" tapered	PRESTINE Integrated 1-1/8"
CHAINWHEEL	SHIMANO 38-24 teeth 170 / 175 mm cranks	SHIMANO M4000 40-30-22 teeth 170 / 175 mm cranks	SUNTOUR XCM 40-30-22 teeth 170 / 175 mm cranks
B.B. PARTS	SHIMANO BB-52 BB unit	SHIMANO ES300 Octalink cartridge	SUNTOUR XCT cartridge
FRONT DERAILLEUR	SHIMANO Deore (34.9)	SHIMANO Alivio (34.9)	SHIMANO Altus (34.9)
REAR DERAILLEUR	SHIMANO Deore	SHIMANO Alivio	SHIMANO Altus
SHIFTERS	SHIMANO Deore (20)	SHIMANO Alivio (27)	SHIMANO Altus (27)
FREEWHEEL	SHIMANO HG500-10 11-42 (10)	SHIMANO HG400-9 11-34 (9)	SHIMANO HG200-9 11-34 (9)
CHAIN	KMC X10	KMC Z9	KMC Z9
HUBS	AUTHOR Radon 32 holes	QUANDO Disc 32 holes	QUANDO Disc 32 holes
BRAKES	TEKTRO Gemini disc hydraulic (7" rotors)	TEKTRO Auriga disc hydraulic (7" rotors)	TEKTRO Auriga disc hydraulic (6" rotors)
BRAKE LEVERS	TEKTRO Gemini WS	TEKTRO Auriga WS	TEKTRO Auriga WS
RIMS	AUTHOR Xenon Pro 29 32 holes	AUTHOR Xenon 29 32 holes	AUTHOR Xenon 29 32 holes
SPOKES	black stainless steel 2.0 mm	black steel	black steel
TIRES	VITTORIA Barzo kevlar 29" x 2.25"	AUTHOR Speed Master 29" x 2.00"	AUTHOR Speed Master 29" x 2.00"
PEDALS	AUTHOR alloy	AUTHOR alloy	resin
HANDLEBAR	AUTHOR Flatbar 9° 660 / 680 mm	AUTHOR Flatbar 9° 660 / 680 mm	AUTHOR 8° 660 / 680 mm
GRIPS	AUTHOR GripLock foam	AUTHOR GripLock foam	AUTHOR high density foam
STEM	AUTHOR alloy	AUTHOR alloy	AUTHOR alloy
SEAT POST	AUTHOR alloy (31.6)	AUTHOR alloy (31.6)	AUTHOR alloy (31.6)
SEAT CLAMP	AUTHOR (34.9)	AUTHOR (34.9)	AUTHOR (34.9)
SADDLE	AUTHOR Fenix	AUTHOR Fenix	AUTHOR Fenix
SPEED	20	27	27
WEIGHT	12.9 kg / 16"	14.1 kg / 16"	14.9 kg / 16"





	S/T c-t	T/T h	T/T a	H/T	C/S	W/B	S/T ang.	H/T ang.	F/L	B/B drop	B/B width	F/R	REACH	STACK
<b>TRACTION 29 ASL* t 1.5" PF / SPIRIT 29 ASL* t 1.5" PF / SOLUTION 29 ASL*</b>														
16"	406	570	558	115	445	1086	73.0	69.5	510	60	73	51	378	629
18"	457	590	569	120	445	1106	73.0	69.5	510	60	73	51	396	633

\* t 1.5" PF - 1.5" semiintegrated head set PF

\* - 1 1/8" semiintegrated head set PF 50 mm

PF - Press Fit

#### GEOMETRY TABLE LEGEND:

S/T c-t - seat tube (center-top)

T/T h - top tube horizontal

T/T a - top tube actual

H/T - head tube

C/S - chain stay

W/B - wheel base

S/T ang. - seat tube angle

H/T ang. - head tube angle

F/L - fork length

B/B drop - bottom bracket drop

B/B width - bottom bracket width

F/R - fork rake

REACH - the horizontal distance from the center of the bottom bracket / crank to the top middle point of the head tube

STACK - the vertical distance from the center of the frame's bottom bracket / crank to the top middle point of the head tube

Recommended frame size to the body height for each model you can find on our web site [www.author.eu](http://www.author.eu)



# MTB 27.5





## AUTHOR CARBON MTB 27.5"

We are also having our own carbon frame for 27.5" wheels size. For low interest on expensive 27.5" wheel bikes on carbon frame we stay in our line up with only MODUS model, which is offered in 3 frame sizes: 16, 17.5, 19". The bend in the top section of the frame is noticeable and the top tube smoothly merges into the seat stay. Thus it resembles a shape of a bow.

### Frame's Structural Elements

1. direct Post Mount (PM) interface on the rear chain stay prepared for 6" rotor
2. rear stay drop outs ready for thru axle 12x142 mm
3. Inner Cable Routing (ICR) for both derailleurs led through the frame tubes (newly side swing routing through down tube for front derailleur)
4. the conical head tube compatible with the 1.5" fork's tapered steerer tube
5. application of the stainless steel stickers on the chain stay and down tube
6. rear derailleur's direct mount (SHIMANO DMRD standard)



## AUTHOR ALLOY MTB 27.5"

For MY19 we are offering 5 models on alloy 27.5" frame – INSTINCT, TRACTION, RADIUS, SPIRIT and PEGAS. All of them have an alloy frame which is bow shaped and came up as an alloy replica of our 27.5" MTB carbon frame. We have really upgraded this frame for next year.

### Frame's Structural Elements

1. new drop out with direct Post Mount (PM) interface prepared for 6" rotor in between the chain and seat stay (INSTINCT and TRACTION)
2. the conical head tube compatible with the 1.5" fork's tapered steerer tube
3. new and thinner seat stay of  $\varnothing 16 \times 1.8$  mm
4. newly rear derailleur, rear brake and side swing front derailleur routing through down tube (INSTINCT and TRACTION)
5. newly rear derailleur and side swing front derailleur routing through down tube (RADIUS, SPIRIT and PEGAS)
6. rear derailleur's direct mount (SHIMANO DMRD standard)



Models SOLUTION, IMPULSE and RIVAL have alloy, so called LOGIC II frame with it's own hydroformed shape (molds for top and down tube) and geometry, which is specifically tuned according to the wheel size, gender and use.



12x142

SHIMANO  
2x10



MODUS

FRAME	Author C carbon monocoque
FORK	RST F1RST 27.5 TRL, 1.5" tapered (100 mm travel)
CHAINWHEEL	Shimano (38-24 teeth), BB unit
REAR DERAILLEUR / SHIFTERS	Shimano Deore, 20 speed

CASSETTE	Shimano CS-HG500-10, 10 speed (11-42 teeth)
BRAKES	Tektro Gemini (6"), hydraulic
TIRES	Vittoria Barzo Kevlar 27.5" x 2.25"
COLOR	Matte Carbon / Author Red / Lava Grey

SHIMANO  
2x10



INSTINCT

FRAME	double butted hydroformed alloy 6061
FORK	RST F1RST 27.5 TRL (100 mm travel)
CHAINWHEEL	Shimano (38-24 teeth), BB unit
REAR DERAILLEUR / SHIFTERS	Shimano Deore, 20 speed

CASSETTE	Shimano CS-HG500-10, 10 speed (11-42 teeth)
BRAKES	Shimano BT M400 (6"), hydraulic
TIRES	Vittoria Barzo Kevlar 27.5" x 2.25"
COLOR	Matte Mc Laren Silver / Racing Red / Phantom Black





## TRACTION

FRAME	double butted hydroformed alloy 6061
FORK	RST Aerial 27.5 TnL (100 mm travel)
CHAINWHEEL	Shimano (38-24 teeth), BB unit
REAR DERAILLEUR / SHIFTERS	Shimano Deore, 20 speed

CASSETTE	Shimano CS-HG500-10, 10 speed (11-42 teeth)
BRAKES	Tektro Gemini (6"), hydraulic
TIRES	Vittoria Barzo Kevlar 27.5" x 2.25"
COLOR	Matte Phantom Black



## RADIUS

FRAME	hydroformed alloy 6061
FORK	RST Aerial 27.5 TnL (100 mm travel)
CHAINWHEEL	Shimano (38-24 teeth), BB unit
REAR DERAILLEUR / SHIFTERS	Shimano Deore, 20 speed

CASSETTE	Shimano CS-HG500-10, 10 speed (11-42 teeth)
BRAKES	Tektro Auriga (6"), hydraulic
TIRES	Author Rocket 27.5" x 2.10"
COLOR	Matte Temple Grey / Italien Sky





SPIRIT

<b>FRAME</b>	hydroformed alloy 6061	<b>CASSETTE</b>	Shimano CS-HG400-9, 9 speed (11-34 teeth)
<b>FORK</b>	RST Aerial 27.5 TnL (100 mm travel)	<b>BRAKES</b>	Tektro Auriga (6"), hydraulic
<b>CHAINWHEEL</b>	Shimano M4000 (40-30-22 teeth)	<b>TIRES</b>	Author Rocket 27.5" x 2.10"
<b>REAR DERAILLEUR / SHIFTERS</b>	Shimano Alivio, 27 speed	<b>COLOR</b>	Matte Treasure Silver / Kawa Green

SPIRIT







PEGAS [A]

FRAME	hydroformed alloy 6061	CASSETTE	Shimano CS-HG200-9, 9 speed (11-34 teeth)
FORK	RST Blaze 27.5 TnL (100 mm travel)	BRAKES	Tektro Auriga (6"), hydraulic
CHAINWHEEL	Suntour XCM (40-30-22 teeth)	TIRES	Author Rocket 27.5" x 2.10"
REAR DERAILLEUR / SHIFTERS	Shimano Acera, 27 speed	COLOR A	Matte Phantom Black / Neon Orange



PEGAS [B]

FRAME	hydroformed alloy 6061	CASSETTE	Shimano CS-HG200-9, 9 speed (11-34 teeth)
FORK	RST Blaze 27.5 TnL (100 mm travel)	BRAKES	Tektro Auriga (6"), hydraulic
CHAINWHEEL	Suntour XCM (40-30-22 teeth)	TIRES	Author Rocket 27.5" x 2.10"
REAR DERAILLEUR / SHIFTERS	Shimano Acera, 27 speed	COLOR B	Author Red / Phantom Black



SOLUTION [A]

FRAME	alloy 6061	CASSETTE	Shimano CS-HG200-9, 9 speed (11-34 teeth)
FORK	RST Blaze 27.5 ML (100 mm travel)	BRAKES	Tektro Auriga (6"), hydraulic
CHAINWHEEL	Suntour XCM (40-30-22 teeth)	TIRES	Author Rocket 27.5" x 2.10"
REAR DERAILLEUR / SHIFTERS	Shimano Altus, 27 speed	COLOR A	Matte Treasure Silver / Kawa Green



SOLUTION [B]

FRAME	alloy 6061	CASSETTE	Shimano CS-HG200-9, 9 speed (11-34 teeth)
FORK	RST Blaze 27.5 ML (100 mm travel)	BRAKES	Tektro Auriga (6"), hydraulic
CHAINWHEEL	Suntour XCM (40-30-22 teeth)	TIRES	Author Rocket 27.5" x 2.10"
REAR DERAILLEUR / SHIFTERS	Shimano Altus, 27 speed	COLOR B	Matná Phantom Black / Racing Red / Neon Orange





IMPULSE [A]

FRAME	alloy 6061	CASSETTE	Shimano CS-HG200-8, 8 speed (12-32 teeth)
FORK	RST Gila 27.5 ML (100 mm travel)	BRAKES	Tektro (6"), hydraulic
CHAINWHEEL	Prowheel (42-34-24 teeth)	TIRES	Author Rocket 27.5" x 2.10"
REAR DERAILLEUR / SHIFTERS	Shimano Altus, 24 speed	COLOR A	Mc Laren Silver / Racing Red



IMPULSE [B]

FRAME	alloy 6061	CASSETTE	Shimano CS-HG200-8, 8 speed (12-32 teeth)
FORK	RST Gila 27.5 ML (100 mm travel)	BRAKES	Tektro (6"), hydraulic
CHAINWHEEL	Prowheel (42-34-24 teeth)	TIRES	Author Rocket 27.5" x 2.10"
REAR DERAILLEUR / SHIFTERS	Shimano Altus, 24 speed	COLOR B	Matte Temple Grey / Italian Sky / Lime



RIVAL [A]

FRAME	alloy 6061	CASSETTE	Shimano CS-HG200-8, 8 speed (12-32 teeth)
FORK	RST Gila 27.5 T (100 mm travel)	BRAKES	Tektro (6"), mechanical
CHAINWHEEL	Prowheel (42-34-24 teeth)	TIRES	Author Rocket 27.5" x 2.10"
REAR DERAILLEUR / SHIFTERS	Shimano TX800, 24 speed	COLOR A	Matte Nascar Blue / California Orange



RIVAL [B]

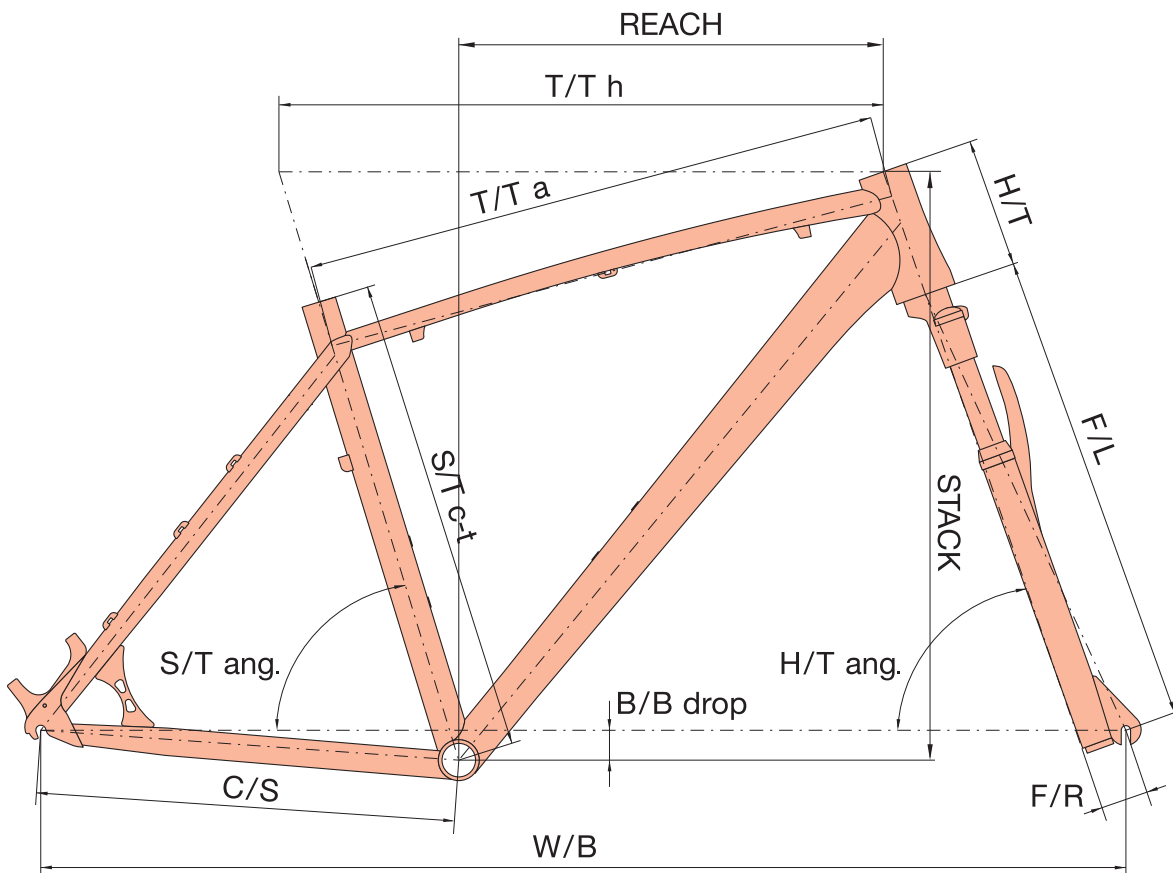
FRAME	alloy 6061	CASSETTE	Shimano CS-HG200-8, 8 speed (12-32 teeth)
FORK	RST Gila 27.5 T (100 mm travel)	BRAKES	Tektro (6"), mechanical
CHAINWHEEL	Prowheel (42-34-24 teeth)	TIRES	Author Rocket 27.5" x 2.10"
REAR DERAILLEUR / SHIFTERS	Shimano TX800, 24 speed	COLOR B	Matte Phantom Black / Racing Red / Canary Yellow



MODEL	MODUS	INSTINCT	TRACTION	RADIUS	SPIRIT
SIZE	16", 17.5", 19"	15", 17", 19"	15", 17", 19"	15", 17", 19"	15", 17", 19"
FRAME	AUTHOR C carbon monocoque 27.5"	double butted hydroformed alloy 6061 27.5"	double butted hydroformed alloy 6061 27.5"	hydroformed alloy 6061 27.5"	hydroformed alloy 6061 27.5"
FRONT FORK	RST F1RST 27.5 TRL air, remote lock out 1.5" tapered steerer (100 mm)	RST F1RST 27.5 15 TRL air, remote lock out (100 mm)	RST Aerial 27.5 TnL air, lock out (100 mm)	RST Aerial 27.5 TnL air, lock out (100 mm)	RST Aerial 27.5 TnL air, lock out (100 mm)
HEAD PARTS	FSA Orbit 1.5B 1.5" tapered	FSA Integrated 1.5" tapered	AUTHOR Integrated 1.5" tapered	AUTHOR Integrated 1.5" tapered	AUTHOR Integrated 1.5" tapered
CHAINWHEEL	SHIMANO 38-24 teeth 170 / 175 mm cranks	SHIMANO 38-24 teeth 170 / 175 mm cranks	SHIMANO 38-24 teeth 170 / 175 mm cranks	SHIMANO 38-24 teeth 170 / 175 mm cranks	SHIMANO M4000 40-30-22 teeth 170 / 175 mm cranks
B.B. PARTS	SHIMANO BB-52 BB unit	SHIMANO BB-52 BB unit	SHIMANO BB-52 BB unit	SHIMANO BB-52 BB unit	SHIMANO ES300 Octalink cartridge
FRONT DERAILLEUR	SHIMANO Deore (34.9)	SHIMANO Deore (34.9)	SHIMANO Deore (34.9)	SHIMANO Deore (34.9)	SHIMANO Alivio (34.9)
REAR DERAILLEUR	SHIMANO Deore	SHIMANO Deore	SHIMANO Deore	SHIMANO Deore	SHIMANO Alivio
SHIFTERS	SHIMANO Deore (20)	SHIMANO Deore (20)	SHIMANO Deore (20)	SHIMANO Deore (20)	SHIMANO Alivio (27)
FREEWHEEL	SHIMANO HG500-10 11-42 (10)	SHIMANO HG500-10 11-42 (10)	SHIMANO HG500-10 11-42 (10)	SHIMANO HG500-10 11-42 (10)	SHIMANO HG400-9 11-34 (9)
CHAIN	KMC X10	KMC X10	KMC X10	KMC X10	KMC Z9
HUBS	AUTHOR Radon / Xenon 12 15 x 100 mm thru front axle 12 x 142 mm thru rear axle 32 holes	AUTHOR Xenon 32 holes	AUTHOR Radon 32 holes	QUANDO Disc 32 holes	QUANDO Disc 32 holes
BRAKES	TEKTRO Gemini disc hydraulic (6" rotors)	SHIMANO BT M400 disc hydraulic (6" rotors)	TEKTRO Gemini disc hydraulic (6" rotors)	TEKTRO Auriga disc hydraulic (6" rotors)	TEKTRO Auriga disc hydraulic (6" rotors)
BRAKE LEVERS	TEKTRO Gemini	SHIMANO BL MT400	TEKTRO Gemini	TEKTRO Auriga	TEKTRO Auriga
RIMS	AUTHOR Xenon Pro 27.5 32 holes	AUTHOR Xenon Pro 27.5 32 holes	AUTHOR Xenon Pro 27.5 32 holes	AUTHOR Xenon 27.5 32 holes	AUTHOR Xenon 27.5 32 holes
SPOKES	black stainless steel 2.0 mm	black stainless steel 2.0 mm	black stainless steel 2.0 mm	black steel	black steel
TIRES	VITTORIA Barzo kevlar 27.5" x 2.25"	VITTORIA Barzo kevlar 27.5" x 2.25"	VITTORIA Barzo kevlar 27.5" x 2.25"	AUTHOR Rocket 27.5" x 2.10"	AUTHOR Rocket 27.5" x 2.10"
PEDALS	-	-	AUTHOR alloy	AUTHOR alloy	AUTHOR alloy
HANDLEBAR	AUTHOR 9° 660 / 680 mm	AUTHOR 9° 660 / 680 mm	AUTHOR 9° 660 / 680 mm	AUTHOR 9° 660 / 680 mm	AUTHOR 9° 660 / 680 mm
GRIPS	AUTHOR Pro Lock	AUTHOR Pro Lock	AUTHOR Pro Lock	AUTHOR Pro Lock	AUTHOR Pro Lock
STEM	AUTHOR alloy	AUTHOR alloy	AUTHOR alloy	AUTHOR alloy	AUTHOR alloy
SEAT POST	AUTHOR alloy (31.6)	AUTHOR alloy (31.6)	AUTHOR alloy (31.6)	AUTHOR alloy (31.6)	AUTHOR alloy (31.6)
SEAT CLAMP	AUTHOR (34.9)	AUTHOR (34.9)	AUTHOR (34.9)	AUTHOR (34.9)	AUTHOR (34.9)
SADDLE	AUTHOR Navigator	AUTHOR Navigator	AUTHOR Navigator	AUTHOR Navigator	AUTHOR Navigator
SPEED	20	20	20	20	27
WEIGHT	11.7 kg / 19"	12.0 kg / 17"	12.7 kg / 17"	13.8 kg / 17"	14.1 kg / 17"

MODEL	PEGAS	SOLUTION	IMPULSE	RIVAL
SIZE	15", 17", 19"	15", 17", 19"	15", 17", 19"	15", 17", 19"
FRAME	hydroformed alloy 6061 27.5"	alloy 6061 27.5"	alloy 6061 27.5"	alloy 6061 27.5"
FRONT FORK	RST Blaze 27.5 Tnl oil, lock out (100 mm)	RST Blaze 27.5 ML oil, lock out (100 mm)	RST Gila 27.5 ML lock out (100 mm)	RST Gila 27.5 T (100 mm)
HEAD PARTS	AUTHOR Integrated 1.5" tapered	PRESTINE Integrated 1-1/8"	PRESTINE Integrated 1-1/8"	PRESTINE Integrated 1-1/8"
CHAINWHEEL	SUNTOUR XCM 40-30-22 teeth 170 / 175 mm cranks	SUNTOUR XCM 40-30-22 teeth 170 / 175 mm cranks	PROWHEEL 42-34-24 teeth 170 / 175 mm cranks	PROWHEEL 42-34-24 teeth 170 mm cranks
B.B. PARTS	SUNTOUR XCT cartridge	SUNTOUR XCT cartridge	VP COMP cartridge	VP COMP cartridge
FRONT DERAILLEUR	SHIMANO Alivio (34.9)	SHIMANO Altus (34.9)	SHIMANO TY700 (34.9)	SHIMANO TY700 (34.9)
REAR DERAILLEUR	SHIMANO Acera	SHIMANO Altus	SHIMANO Altus	SHIMANO TX800
SHIFTERS	SHIMANO Acera (27)	SHIMANO Altus (27)	SHIMANO Altus (24)	SHIMANO TX800 (24)
FREEWHEEL	SHIMANO HG200-9 11-34 (9)	SHIMANO HG200-9 11-34 (9)	SHIMANO HG200-8 12-32 (8)	SHIMANO HG200-8 12-32 (8)
CHAIN	KMC Z9	KMC Z9	KMC Z8.1	KMC Z8.1
HUBS	QUANDO Disc 32 holes	QUANDO Disc 32 holes	QUANDO Disc 32 holes	QUANDO Disc 32 holes
BRAKES	TEKTRO Auriga disc hydraulic (6" rotors)	TEKTRO Auriga disc hydraulic (6" rotors)	TEKTRO disc hydraulic (6" rotors)	TEKTRO disc mechanical (6" rotors)
BRAKE LEVERS	TEKTRO Auriga	TEKTRO Auriga	TEKTRO	SHIMANO TX800
RIMS	AUTHOR Xenon 27.5 32 holes	AUTHOR Xenon 27.5 32 holes	AUTHOR Xenon 27.5 32 holes	AUTHOR Xenon 27.5 32 holes
SPOKES	black steel	black steel	black steel	black steel
TIRES	AUTHOR Rocket 27.5" x 2.10"	AUTHOR Rocket 27.5" x 2.10"	AUTHOR Rocket 27.5" x 2.10"	AUTHOR Rocket 27.5" x 2.10"
PEDALS	AUTHOR alloy	resin	resin	resin
HANDLEBAR	AUTHOR 9° 660 / 680 mm	AUTHOR 8° 660 / 680 mm	AUTHOR 8° 660 / 680 mm	steel 20 mm 640 mm
GRIPS	AUTHOR Pro Lock	AUTHOR kratton rubber	AUTHOR kratton rubber	AUTHOR kratton rubber
STEM	AUTHOR alloy	AUTHOR alloy	AUTHOR alloy	ZOOM alloy
SEAT POST	AUTHOR alloy (31.6)	AUTHOR alloy (31.6)	AUTHOR alloy (31.6)	ZOOM alloy (31.6)
SEAT CLAMP	AUTHOR (34.9)	AUTHOR (34.9)	AUTHOR (34.9)	AUTHOR (34.9)
SADDLE	AUTHOR Navigator	AUTHOR Courier	AUTHOR Courier	AUTHOR Courier
SPEED	27	27	24	24
WEIGHT	14.5 kg / 17"	14.4 kg / 17"	14.2 kg / 17"	15.0 kg / 17"





	S/T c-t	T/T h	T/T a	H/T	C/S	W/B	S/T ang.	H/T ang.	F/L	B/B drop	B/B width	F/R	REACH	STACK
<b>MODUS* T 1.5" PF</b>														
16"	412	577	556	101	425	1067	73.0	70.0	488	40	73	44	400	579
17.5"	445	591	569	106	425	1081	73.0	70.0	488	40	73	44	412	584
19"	486	606	581	116	425	1092	72.5	70.0	488	40	73	44	419	593
<b>INSTINCT* T 1.5" PF / TRACTION* T 1.5" PF / RADIUS* T 1.5" PF / SPIRIT* T 1.5" PF / PEGAS* T 1.5" PF</b>														
15"	381	570	540	115	435	1056	73.0	69.0	495	35	68	44	362	590
17"	432	590	554	125	435	1076	73.0	69.0	495	35	68	44	379	599
19"	483	615	578	130	435	1101	73.0	69.0	495	35	68	44	402	604
<b>SOLUTION* / IMPULSE* / RIVAL*</b>														
15"	381	570	540	115	435	1058	73.0	69.0	495	35	68	44	358	593
17"	432	590	554	125	435	1081	73.0	69.0	495	35	68	44	378	602
19"	483	615	577	130	435	1101	73.0	69.0	495	35	68	44	401	607

\* t 1.5" PF - 1.5" semiintegrated head set PF  
 \* - 1 1/8" semiintegrated head set PF 50 mm

PF - Press Fit

**GEOMETRY TABLE LEGEND:**

- S/T c-t - seat tube (center-top)
- T/T h - top tube horizontal
- T/T a - top tube actual
- H/T - head tube
- C/S - chain stay
- W/B - wheel base
- S/T ang. - seat tube angle
- H/T ang. - head tube angle
- F/L - fork length
- B/B drop - bottom bracket drop
- B/B width - bottom bracket width
- F/R - fork rake
- REACH - the horizontal distance from the center of the bottom bracket / crank to the top middle point of the head tube
- STACK - the vertical distance from the center of the frame's bottom bracket / crank to the top middle point of the head tube

Recommended frame size to the body height for each model you can find on our web site [www.author.eu](http://www.author.eu)



# MTB ASL 27.5





## AUTHOR MTB ASL 27.5"

Models INSTINCT ASL, TRACTION ASL, SPIRIT ASL and PEGAS ASL are on 27.5" wheel size already for 5th year. They have the same frame as their men's partners – INSTINCT, TRACTION, SPIRIT and PEGAS, but they are still keeping ASL geometry but newly also bended top tube. For such a frame tubes shape we had to open our own molds. The shaping of the tubes we call and name as AUTHOR HYDROFORM TECHNOLOGY.

### AUTHOR HYDROFORM TECHNOLOGY

#### Frame's Structural Elements

1. new drop out with direct Post Mount (PM) interface prepared for 6" rotor in between the chain and seat stay (INSTINCT ASL and TRACTION ASL)
2. the conical head tube compatible with the 1.5" fork's tapered steerer tube
3. new and thinner seat stay of  $\varnothing 16 \times 1.8$  mm
4. convexly bended top tube
5. newly rear derailleur, rear brake and side swing front derailleur routing through down tube (INSTINCT ASL and TRACTION ASL)
6. newly rear derailleur and side swing front derailleur routing through down tube (SPIRIT ASL a PEGAS ASL)
7. rear derailleur's direct mount (SHIMANO DMRD standard)



The above mentioned models are for next year completed by SOLUTION ASL, IMPULSE ASL and RIVAL ASL, which belong to frame platform LOGIC II and so have a new frame with it's own hydroformed shape (molds for top and down tube) and geometry, which is specifically tuned according to the wheel size, gender and use. Convexly bended frame top tube will remain on these models.

The applied material is again the well-proven double butted alloy 6061.

The above stated models of AUTHOR MTB ASL collection represent seven models in a different component and frame's quality. They are offered in 14, 16 and 18" size.

SHIMANO  
2x10



INSTINCT ASL

FRAME	double butted hydroformed alloy 6061 (ASL)	CASSETTE	Shimano CS-HG500-10, 10 speed (11-42 teeth)
FORK	RST F1RST 27.5 Air (100 mm travel)	BRAKES	Shimano BT M400 (6"), hydraulic
CHAINWHEEL	Shimano (38-24 teeth), BB unit	TIRES	Vittoria Barzo Kevlar 27.5" x 2.25"
REAR DERAILLEUR / SHIFTERS	Shimano Deore, 20 speed	COLOR	Matte Phantom Black

SHIMANO  
2x10



TRACTION ASL

FRAME	double butted hydroformed alloy 6061 (ASL)	CASSETTE	Shimano CS-HG500-10, 10 speed (11-42 teeth)
FORK	RST Aerial 27.5 TnL (100 mm travel)	BRAKES	Tektro Gemini WS (6"), hydraulic
CHAINWHEEL	Shimano (38-24 teeth), BB unit	TIRES	Vittoria Barzo Kevlar 27.5" x 2.25"
REAR DERAILLEUR / SHIFTERS	Shimano Deore, 20 speed	COLOR	Mc Laren Silver / Phantom Black





## SPIRIT ASL

<b>FRAME</b>	hydroformed alloy 6061 (ASL)	<b>CASSETTE</b>	Shimano CS-HG400-9, 9 speed (11-34 teeth)
<b>FORK</b>	RST Aerial 27.5 TnL (100 mm travel)	<b>BRAKES</b>	Tektro Auriga WS (6"), hydraulic
<b>CHAINWHEEL</b>	Shimano M4000 (40-30-22 teeth)	<b>TIRES</b>	Author Speed Master 27.5" x 2.00"
<b>REAR DERAILLEUR / SHIFTERS</b>	Shimano Alivio, 27 speed	<b>COLOR</b>	Extreme White / Caribbean Green

SPIRIT ASL



© 2018 AUTHOR BIKES



PEGAS ASL [A]

<b>FRAME</b>	hydroformed alloy 6061 (ASL)	<b>CASSETTE</b>	Shimano CS-HG200-9, 9 speed (11-34 teeth)
<b>FORK</b>	RST Blaze 27.5 TnL (100 mm travel)	<b>BRAKES</b>	Tektro Auriga WS (6"), hydraulic
<b>CHAINWHEEL</b>	Suntour XCM (40-30-22 teeth)	<b>TIRES</b>	Author Speed Master 27.5" x 2.00"
<b>REAR DERAILEUR / SHIFTERS</b>	Shimano Acera, 27 speed	<b>COLOR A</b>	Matte Temple Grey / Suzy Pink



PEGAS ASL [B]

<b>FRAME</b>	hydroformed alloy 6061 (ASL)	<b>CASSETTE</b>	Shimano CS-HG200-9, 9 speed (11-34 teeth)
<b>FORK</b>	RST Blaze 27.5 TnL (100 mm travel)	<b>BRAKES</b>	Tektro Auriga WS (6"), hydraulic
<b>CHAINWHEEL</b>	Suntour XCM (40-30-22 teeth)	<b>TIRES</b>	Author Speed Master 27.5" x 2.00"
<b>REAR DERAILEUR / SHIFTERS</b>	Shimano Acera, 27 speed	<b>COLOR B</b>	Matte Treasure Silver / Fresh Lila





SOLUTION ASL [A]

FRAME	alloy 6061 (ASL)	CASSETTE	Shimano CS-HG200-9, 9 speed (11-34 teeth)
FORK	RST Blaze 27.5 ML (100 mm travel)	BRAKES	Tektro Auriga WS (6"), hydraulic
CHAINWHEEL	Suntour XCM (40-30-22 teeth)	TIRES	Author Speed Master 27.5" x 2.00"
REAR DERAILLEUR / SHIFTERS	Shimano Altus, 27 speed	COLOR A	Extreme White / Mentol Green / Italian Sky



SOLUTION ASL [B]

FRAME	alloy 6061 (ASL)	CASSETTE	Shimano CS-HG200-9, 9 speed (11-34 teeth)
FORK	RST Blaze 27.5 ML (100 mm travel)	BRAKES	Tektro Auriga WS (6"), hydraulic
CHAINWHEEL	Suntour XCM (40-30-22 teeth)	TIRES	Author Speed Master 27.5" x 2.00"
REAR DERAILLEUR / SHIFTERS	Shimano Altus, 27 speed	COLOR B	Matte Ritual Silver / Suzy Pink



IMPULSE ASL [A]

FRAME	alloy 6061 (ASL)
FORK	RST Gila 27.5 ML (100 mm travel)
CHAINWHEEL	Prowheel (42-34-24 teeth)
REAR DERAILLEUR / SHIFTERS	Shimano Altus, 24 speed

CASSETTE	Shimano CS-HG200-B, 8 speed (12-32 teeth)
BRAKES	Tektro (6"), hydraulic
TIRES	Author Speed Master 27.5" x 2.00"
COLOR A	Extreme White / Racing Red



IMPULSE ASL [B]

FRAME	alloy 6061 (ASL)
FORK	RST Gila 27.5 ML (100 mm travel)
CHAINWHEEL	Prowheel (42-34-24 teeth)
REAR DERAILLEUR / SHIFTERS	Shimano Altus, 24 speed

CASSETTE	Shimano CS-HG200-B, 8 speed (12-32 teeth)
BRAKES	Tektro (6"), hydraulic
TIRES	Author Speed Master 27.5" x 2.00"
COLOR B	Matte Temple Grey / Aura Violet / Menthol Green





RIVAL ASL [A]

FRAME	alloy 6061 (ASL)
-------	------------------

FORK	RST Gila 27.5 T (100 mm travel)
------	---------------------------------

CHAINWHEEL	Prowheel (42-34-24 teeth)
------------	---------------------------

REAR DERAILLEUR / SHIFTERS	Shimano TX800, 24 speed
----------------------------	-------------------------

CASSETTE	Shimano CS-HG200-8, 8 speed (12-32 teeth)
----------	---

BRAKES	Tektro (6"), hydraulic
--------	------------------------

TIRES	Author Speed Master 27.5" x 2.00"
-------	-----------------------------------

COLOR A	Extreme White / Fresh Lila
---------	----------------------------



RIVAL ASL [B]

FRAME	alloy 6061 (ASL)
-------	------------------

FORK	RST Gila 27.5 T (100 mm travel)
------	---------------------------------

CHAINWHEEL	Prowheel (42-34-24 teeth)
------------	---------------------------

REAR DERAILLEUR / SHIFTERS	Shimano TX800, 24 speed
----------------------------	-------------------------

CASSETTE	Shimano CS-HG200-8, 8 speed (12-32 teeth)
----------	---

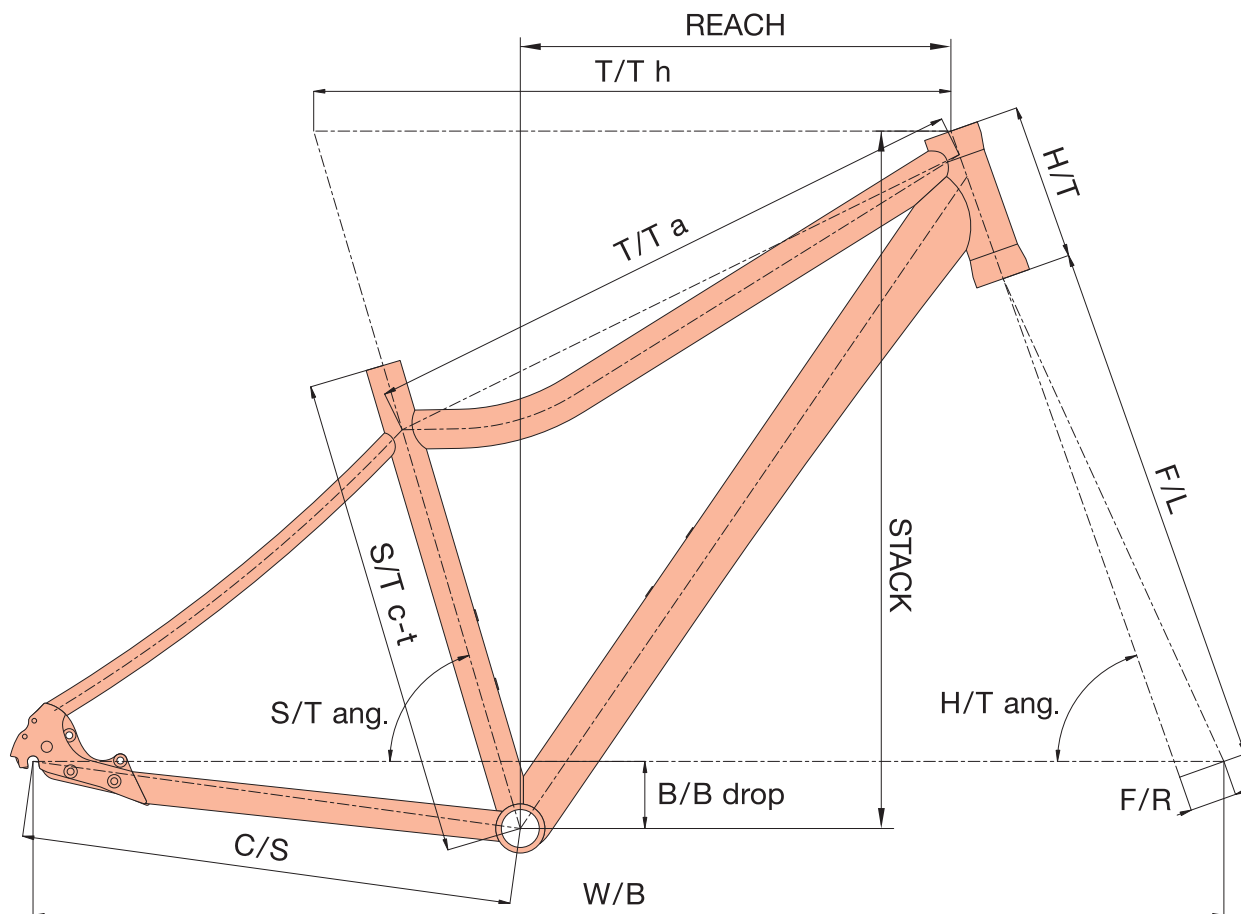
BRAKES	Tektro (6"), hydraulic
--------	------------------------

TIRES	Author Speed Master 27.5" x 2.00"
-------	-----------------------------------

COLOR B	Phantom Black / Tropical Orange / Sunset Orange
---------	---

MODEL	INSTINCT ASL	TRACTION ASL	SPIRIT ASL	PEGAS ASL	SOLUTION ASL	IMPULSE ASL	RIVAL ASL
SIZE	14", 16", 18"	14", 16", 18"	14", 16", 18"	14", 16", 18"	14", 16", 18"	14", 16", 18"	14", 16", 18"
FRAME	double butted hydroformed alloy 6061 27.5" (ASL)	double butted hydroformed alloy 6061 27.5" (ASL)	hydroformed alloy 6061 27.5" (ASL)	hydroformed alloy 6061 27.5" (ASL)	alloy 6061 27.5" (ASL)	alloy 6061 27.5" (ASL)	alloy 6061 27.5" (ASL)
FRONT FORK	RST F1RST 27.5 15 TRL air, remote lock out (100 mm)	RST Aerial 27.5 TnL air, lock out (100 mm)	RST Aerial 27.5 TnL air, lock out (100 mm)	RST Blaze 27.5 ML oil, lock out (100 mm)	RST Blaze 27.5 ML oil, lock out (100 mm)	RST Gila 27.5 ML lock out (100 mm)	RST Gila 27.5 T (100 mm)
HEAD PARTS	FSA Integrated 1.5" tapered	AUTHOR Integrated 1.5" tapered	AUTHOR Integrated 1.5" tapered	AUTHOR Integrated 1.5" tapered	PRESTINE Integrated 1-1/8"	PRESTINE Integrated 1-1/8"	PRESTINE Integrated 1-1/8"
CHAINWHEEL	SHIMANO 38-24 teeth 170 mm cranks	SHIMANO 38-24 teeth 170 mm cranks	SHIMANO M4000 40-30-22 teeth 170 mm cranks	SUNTOUR XCM 40-30-22 teeth 170 mm cranks	SUNTOUR XCM 40-30-22 teeth 170 mm cranks	PROWHEEL 42-34-24 teeth 170 mm cranks	PROWHEEL 42-34-24 teeth 170 mm cranks
B. B. PARTS	SHIMANO BB-52 BB unit	SHIMANO BB-52 BB unit	SHIMANO ES300 Octalink cartridge	SUNTOUR XCT cartridge	SUNTOUR XCT cartridge	VP COMP cartridge	VP COMP cartridge
FRONT DERAILLEUR	SHIMANO Deore (34.9)	SHIMANO Deore (34.9)	SHIMANO Alivio (34.9)	SHIMANO Alivio (34.9)	SHIMANO Altus (34.9)	SHIMANO TY700 (34.9)	SHIMANO TY700 (34.9)
REAR DERAILLEUR	SHIMANO Deore	SHIMANO Deore	SHIMANO Alivio	SHIMANO Acera	SHIMANO Altus	SHIMANO Altus	SHIMANO TX800
SHIFTERS	SHIMANO Deore (20)	SHIMANO Deore (20)	SHIMANO Alivio (27)	SHIMANO Acera (27)	SHIMANO Altus (27)	SHIMANO Altus (24)	SHIMANO TX800 (24)
FREEWHEEL	SHIMANO HG500-10 11-42 (10)	SHIMANO HG500-10 11-42 (10)	SHIMANO HG400-9 11-34 (9)	SHIMANO HG200-9 11-34 (9)	SHIMANO HG200-9 11-34 (9)	SHIMANO HG200-8 12-32 (8)	SHIMANO HG200-8 12-32 (8)
CHAIN	KMC X10	KMC X10	KMC Z9	KMC Z9	KMC Z9	KMC Z8.1	KMC Z8.1
HUBS	AUTHOR Xenon 32 holes	AUTHOR Radon 32 holes	QUANDO Disc 32 holes	QUANDO Disc 32 holes	QUANDO Disc 32 holes	QUANDO Disc 32 holes	QUANDO Disc 32 holes
BRAKES	SHIMANO BT M400 disc hydraulic (6" rotors)	TEKTRO Gemini disc hydraulic (6" rotors)	TEKTRO Auriga disc hydraulic (6" rotors)	TEKTRO Auriga disc hydraulic (6" rotors)	TEKTRO Auriga disc hydraulic (6" rotors)	TEKTRO disc hydraulic (6" rotors)	TEKTRO disc mechanical (6" rotors)
BRAKE LEVERS	SHIMANO BL MT400	TEKTRO Gemini WS	TEKTRO Auriga WS	TEKTRO Auriga WS	TEKTRO Auriga WS	TEKTRO WS	SHIMANO TX800
RIMS	AUTHOR Xenon Pro 27.5 32 holes	AUTHOR Xenon Pro 27.5 32 holes	AUTHOR Xenon 27.5 32 holes	AUTHOR Xenon 27.5 32 holes	AUTHOR Xenon 27.5 32 holes	AUTHOR Xenon 27.5 32 holes	AUTHOR Xenon 27.5 32 holes
SPOKES	black stainless steel 2.0 mm	black stainless steel 2.0 mm	black steel	black steel	black steel	black steel	black steel
TIRES	VITTORIA Barzo kevlar 27.5" x 2.25"	VITTORIA Barzo kevlar 27.5" x 2.25"	AUTHOR Speed Master 27.5" x 2.00"	AUTHOR Speed Master 27.5" x 2.00"	AUTHOR Speed Master 27.5" x 2.00"	AUTHOR Speed Master 27.5" x 2.00"	AUTHOR Speed Master 27.5" x 2.00"
PEDALS	-	AUTHOR alloy	AUTHOR alloy	AUTHOR alloy	resin	resin	resin
HANDLEBAR	AUTHOR 9° 640 / 660 mm	AUTHOR 9° 640 / 660 mm	AUTHOR 9° 640 / 660 mm	AUTHOR 9° 640 / 660 mm	AUTHOR 8° 640 / 660 mm	AUTHOR 8° 640 / 660 mm	steel 20 mm 640 mm
GRIPS	AUTHOR GripLock foam	AUTHOR GripLock foam	AUTHOR GripLock foam	AUTHOR GripLock foam	AUTHOR high density foam	AUTHOR high density foam	AUTHOR high density foam
STEM	AUTHOR alloy	AUTHOR alloy	AUTHOR alloy	AUTHOR alloy	AUTHOR alloy	AUTHOR alloy	ZOOM alloy
SEAT POST	AUTHOR alloy (31.6)	AUTHOR alloy (31.6)	AUTHOR alloy (31.6)	AUTHOR alloy (31.6)	AUTHOR alloy (31.6)	AUTHOR alloy (31.6)	ZOOM alloy (31.6)
SEAT CLAMP	AUTHOR (34.9)	AUTHOR (34.9)	AUTHOR (34.9)	AUTHOR (34.9)	AUTHOR (34.9)	AUTHOR (34.9)	AUTHOR (34.9)
SADDLE	AUTHOR Fenix	AUTHOR Fenix	AUTHOR Fenix	AUTHOR Fenix	AUTHOR Fenix	AUTHOR Fenix	AUTHOR Fenix
SPEED	20	20	27	27	27	24	24
WEIGHT	12.0 kg / 16"	12.8 kg / 16"	13.9 kg / 16"	14.5 kg / 16"	14.2 kg / 16"	13.9 kg / 16"	14.7 kg / 16"





	S/T c-t	T/T h	T/T a	H/T	C/S	W/B	S/T ang.	H/T ang.	F/L	B/B drop	B/B width	F/R	REACH	STACK
<b>INSTINCT ASL * T 1.5" PF / TRACTION ASL * T 1.5" PF / SPIRIT ASL * T 1.5" PF / PEGAS ASL * T 1.5" PF</b>														
14"	356	545	541	110	425	1033	73.0	70.0	495	45	68	44	362	599
16"	406	560	545	120	425	1054	73.0	69.5	495	45	68	44	375	606
18"	457	585	563	130	425	1080	73.0	69.5	495	45	68	44	397	615
<b>SOLUTION ASL * / IMPULSE ASL * / RIVAL ASL *</b>														
14"	356	545	541	110	425	1033	73.0	70.0	495	45	68	44	361	602
16"	406	560	545	120	425	1054	73.0	69.5	495	45	68	44	374	609
18"	457	585	563	130	425	1079	73.0	69.5	495	45	68	44	396	619

\* t 1.5" PF - 1.5" semiintegrated head set PF  
 \* - 1 1/8" semiintegrated head set PF 50 mm

PF - Press Fit

**GEOMETRY TABLE LEGEND:**

- S/T c-t - seat tube (center-top)
- T/T h - top tube horizontal
- T/T a - top tube actual
- H/T - head tube
- C/S - chain stay
- W/B - wheel base
- S/T ang. - seat tube angle
- H/T ang. - head tube angle
- F/L - fork length
- B/B drop - bottom bracket drop
- B/B width - bottom bracket width
- F/R - fork rake
- REACH - the horizontal distance from the center of the bottom bracket / crank to the top middle point of the head tube
- STACK - the vertical distance from the center of the frame's bottom bracket / crank to the top middle point of the head tube

Recommended frame size to the body height for each model you can find on our web site [www.author.eu](http://www.author.eu)



# MTB 26



COLLECTION EDIT



## AUTHOR MTB 26"

### Frame's platform LOGIC I and LOGIC II

From model year 2015 and on we distinguish MTB alloy models according to the frame platforms, which include wheel sizes 26", 27.5" and 29" into the groups of LOGIC I and LOGIC II.

LOGIC I covers models OUTSET, UNICA, TROPHY and VECTRA, which are overtaking comfy and playfull geometry from models GANGSTA and NIKITA. The frame, of which base is round tubes shape, take advantage of well proven cable routing under top tube. LOGIC I group models are built on plain gauge tubes from alloy 6061.

Model QUANTA belongs to frame platform LOGIC II and so has a frame with it's own hydroformed shape (molds for top and down tube) and geometry, which is specifically tuned according to the wheel size, gender and use. The applied material is again the well-proven double butted alloy 6061.





QUANTA [A]

FRAME	hydroformed alloy 6061	CASSETTE	Shimano CS-HG200-8, 8 speed (12-32 teeth)
FORK	RST Gila 26 T (80 mm travel)	BRAKES	Tektro V
CHAINWHEEL	Prowheel (42-34-24 teeth)	TIRES	Author Speed Master 26" x 2.00"
REAR DERAILLEUR / SHIFTERS	Shimano Altus, 24 speed	COLOR A	Treasure Silver / Fresh Lila



QUANTA [B]

FRAME	hydroformed alloy 6061	CASSETTE	Shimano CS-HG200-8, 8 speed (12-32 teeth)
FORK	RST Gila 26 T (80 mm travel)	BRAKES	Tektro V
CHAINWHEEL	Prowheel (42-34-24 teeth)	TIRES	Author Speed Master 26" x 2.00"
REAR DERAILLEUR / SHIFTERS	Shimano Altus, 24 speed	COLOR B	Matte Temple Grey / Lime





OUTSET [A]

FRAME	alloy 6061	SPROCKET	Shimano MF-TZ500-7, 7 speed (14-28 teeth)
FORK	RST Capa 26 T (80 mm travel)	BRAKES	Tektro V
CHAINWHEEL	Prowheel (42-34-24 teeth)	TIRES	Author Rocket 26" x 2.10"
REAR DERAILLEUR / SHIFTERS	Shimano TY500 / Shimano, 21 speed	COLOR A	Matte Phantom Black / Neon Orange



OUTSET [B]

FRAME	alloy 6061	SPROCKET	Shimano MF-TZ500-7, 7 speed (14-28 teeth)
FORK	RST Capa 26 T (80 mm travel)	BRAKES	Tektro V
CHAINWHEEL	Prowheel (42-34-24 teeth)	TIRES	Author Rocket 26" x 2.10"
REAR DERAILLEUR / SHIFTERS	Shimano TY500 / Shimano, 21 speed	COLOR B	Matte Mc Laren Silver / Racing Red / Phantom Black





OUTSET [C]

FRAME	alloy 6061	SPROCKET	Shimano MF-TZ500-7, 7 speed (14-28 teeth)
FORK	RST Capa 26 T (80 mm travel)	BRAKES	Tektro V
CHAINWHEEL	Prowheel (42-34-24 teeth)	TIRES	Author Rocket 26" x 2.10"
REAR DERAILLEUR / SHIFTERS	Shimano TY500 / Shimano, 21 speed	COLOR C	Kawa Green / Italien Sky

OUTSET C



COLLECTION 2018





UNICA [A]

FRAME	alloy 6061	SPROCKET	Shimano MF-TZ500-7, 7 speed (14-28 teeth)
FORK	RST Capa 26 T (80 mm travel)	BRAKES	Tektro V
CHAINWHEEL	Prowheel (42-34-24 teeth)	TIRES	Author Speed Master 26" x 2.00"
REAR DERAILLEUR / SHIFTERS	Shimano TY500 / Shimano, 21 speed	COLOR A	Matte Treasure Silver / Fresh Lila



UNICA [B]

FRAME	alloy 6061	SPROCKET	Shimano MF-TZ500-7, 7 speed (14-28 teeth)
FORK	RST Capa 26 T (80 mm travel)	BRAKES	Tektro V
CHAINWHEEL	Prowheel (42-34-24 teeth)	TIRES	Author Speed Master 26" x 2.00"
REAR DERAILLEUR / SHIFTERS	Shimano TY500 / Shimano, 21 speed	COLOR B	Extreme White / Caribbean Green



TROPHY [A]

FRAME	hi-ten	SPROCKET	Shimano MF-TZ500-6, 6 speed (14-28 teeth)
FORK	Zoom (60 mm travel)	BRAKES	alloy V
CHAINWHEEL	Prowheel (42-34-24 teeth)	TIRES	Author Speed Master 26" x 2.00"
REAR DERAILLEUR / SHIFTERS	Shimano TY21 / Shimano, 18 speed	COLOR A	Matte Ritual Silver / Andaman Sea



TROPHY [B]

FRAME	hi-ten	SPROCKET	Shimano MF-TZ500-6, 6 speed (14-28 teeth)
FORK	Zoom (60 mm travel)	BRAKES	alloy V
CHAINWHEEL	Prowheel (42-34-24 teeth)	TIRES	Author Speed Master 26" x 2.00"
REAR DERAILLEUR / SHIFTERS	Shimano TY21 / Shimano, 18 speed	COLOR B	Phantom Black / Neon Green





VECTRA [A]

FRAME	hi-ten	SPROCKET	Shimano MF-TZ500-6, 6 speed (14-28 teeth)
FORK	Zoom (60 mm travel)	BRAKES	alloy V
CHAINWHEEL	Prowheel (42-34-24 teeth)	TIRES	Author Speed Master 26" x 2.00"
REAR DERAILLEUR / SHIFTERS	Shimano TY21 / Shimano, 18 speed	COLOR A	Extreme White / Raspberry Red

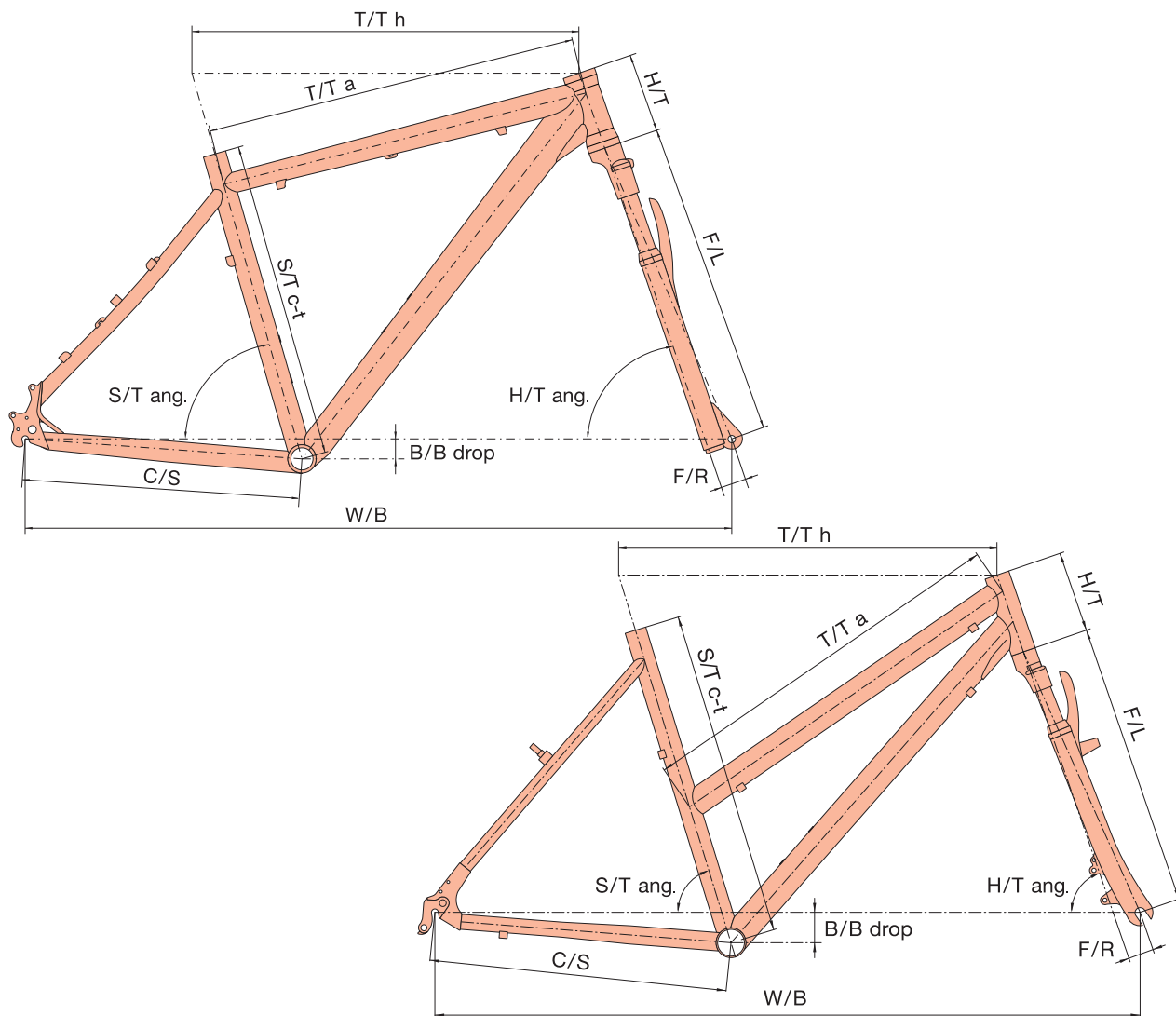


VECTRA [B]

FRAME	hi-ten	SPROCKET	Shimano MF-TZ500-6, 6 speed (14-28 teeth)
FORK	Zoom (60 mm travel)	BRAKES	alloy V
CHAINWHEEL	Prowheel (42-34-24 teeth)	TIRES	Author Speed Master 26" x 2.00"
REAR DERAILLEUR / SHIFTERS	Shimano TY21 / Shimano, 18 speed	COLOR B	Matte Ritual Silver / Suzy Pink

MODEL	QUANTA	OUTSET	UNICA	TROPHY	VECTRA
SIZE	16", 18"	15", 17", 19"	16", 18"	17", 19", 21"	16", 18"
FRAME	hydroformed alloy 6061 26" (L)	alloy 6061 26"	alloy 6061 26" (L)	hi-ten 26"	hi-ten 26" (L)
FRONT FORK	RST Gila 26 T (80 mm)	RST Capa 26 T (80 mm)	RST Capa 26 T (80 mm)	ZOOM (60 mm)	ZOOM (60 mm)
HEAD PARTS	PRESTINE Integrated 1-1/8"	PRESTINE 1-1/8"	PRESTINE 1-1/8"	VP COMP 1"	VP COMP 1"
CHAINWHEEL	PROWHEEL 42-34-24 teeth 170 mm cranks	PROWHEEL 42-34-24 teeth 170 mm cranks	PROWHEEL 42-34-24 teeth 170 mm cranks	PROWHEEL 42-34-24 teeth 170 mm cranks	PROWHEEL 42-34-24 teeth 170 mm cranks
B.B. PARTS	VP COMP cartridge	VP COMP cartridge	VP COMP cartridge	VP COMP	VP COMP
FRONT DERAILLEUR	SHIMANO TY700 (34.9)	SHIMANO TY500 (34.9)	SHIMANO TY500 (34.9)	SHIMANO TY500 (28.6)	SHIMANO TY500 (28.6)
REAR DERAILLEUR	SHIMANO Altus	SHIMANO TY500	SHIMANO TY500	SHIMANO TY21	SHIMANO TY21
SHIFTERS	SHIMANO Altus (24)	SHIMANO (21)	SHIMANO (21)	SHIMANO (18)	SHIMANO (18)
FREEWHEEL	SHIMANO HG200-8 12-32 (8)	SHIMANO MF-TZ500 14-28 (7)	SHIMANO MF-TZ500 14-28 (7)	SHIMANO MF-TZ500 14-28 (6)	SHIMANO MF-TZ500 14-28 (6)
CHAIN	KMC Z8.1	KMC Z7	KMC Z7	KMC Z6	KMC Z6
HUBS	QUANDO 32 holes	QUANDO 36 holes	QUANDO 36 holes	QUANDO 36 holes	QUANDO 36 holes
BRAKES	TEKTRO V	TEKTRO V	TEKTRO V	V brakes	V brakes
BRAKE LEVERS	SHIMANO Altus	SHIMANO	SHIMANO	SHIMANO	SHIMANO
RIMS	AUTHOR Argon 32 holes	alloy 36 holes	alloy 36 holes	alloy 36 holes	alloy 36 holes
SPOKES	black steel	steel	steel	steel	steel
TIRES	AUTHOR Speed Master 26" x 2.00"	AUTHOR Rocket 26" x 2.10"	AUTHOR Speed Master 26" x 2.00"	AUTHOR Speed Master 26" x 2.00"	AUTHOR Speed Master 26" x 2.00"
PEDALS	resin	resin	resin	resin	resin
HANDLEBAR	AUTHOR 8° 620 / 640 mm	steel 20 mm 640 mm	steel 20 mm 640 mm	steel 20 mm 640 mm	steel 20 mm 640 mm
GRIPS	AUTHOR high density foam	AUTHOR high density foam	AUTHOR high density foam	PVC	PVC
STEM	AUTHOR alloy	ZOOM alloy	ZOOM alloy	steel	steel
SEAT POST	AUTHOR alloy (31.6)	steel (31.6)	alloy (31.6)	steel (25.4)	steel (25.4)
SEAT CLAMP	AUTHOR (34.9)	AUTHOR (34.9)	AUTHOR (34.9)	-	-
SADDLE	AUTHOR Noble	AUTHOR	AUTHOR	AUTHOR	AUTHOR
SPEED	24	21	21	18	18
WEIGHT	13.3 kg / 16"	14.1 kg / 19"	13.8 kg / 16"	16.1 kg / 19"	15.7 kg / 16"





	S/T ct	T/T h	T/T a	H/T	C/S	W/B	S/T ang.	H/T ang.	F/L	B/B drop	B/B width	F/R
<b>QUANTA*</b>												
16"	406	570	577	120	420	1051	73.0	70.0	460	30	68	38
18"	457	595	600	130	420	1077	73.0	70.0	460	30	68	38
<b>OUTSET</b>												
15"	381	560	543	130	420	1044	73.0	69.5	460	25	68	38
17"	432	585	562	135	420	1075	73.0	69.5	460	25	68	38
19"	483	610	586	140	420	1100	73.0	69.5	460	25	68	38
<b>UNICA</b>												
16"	406	570	582	130	420	1052	73.0	70.0	460	30	68	38
18"	457	595	602	130	420	1071	73.0	70.0	460	30	68	38
<b>TROPHY</b>												
17"	432	585	561	135	420	1069	73.0	69.5	446	25	68	32
19"	483	610	587	140	420	1094	73.0	69.5	446	25	68	32
21"	533	635	617	140	420	1119	73.0	69.5	446	25	68	32
<b>VECTRA</b>												
16"	406	570	577	130	420	1045	73.0	70.0	446	30	68	32
18"	457	595	598	130	420	1070	73.0	70.0	446	30	68	32

\* - 1 1/8" semiintegrated head set PF 50 mm

PF - Press Fit

**GEOMETRY TABLE LEGEND:**

- S/T c-t - seat tube (center-top), délka sedlové trubky, od středu středového složení po její vrchol
- T/T h - top tube horizontal
- T/T a - top tube actual
- H/T - head tube
- C/S - chain stay
- W/B - wheel base
- S/T ang. - seat tube angle
- H/T ang. - head tube angle
- F/L - fork length
- B/B drop - bottom bracket drop
- B/B width - bottom bracket width
- F/R - fork rake

Recommended frame size to the body height for each model you can find on our web site [www.author.eu](http://www.author.eu)



# CROSS 29





## AUTHOR CARBON CROSS 29"

On our own carbon Cross frame is build up model SYNERGY, which is offered in four sizes: 16, 18, 20 and 22".

### Frame's Structural Elements

1. Post Mount (PM) interface on the rear chain stay prepared for 6" rotor
2. Inner Cable Routing (ICR) for both derailleurs led through the top frame tube
3. the conical head tube compatible with the 1.5" fork's tapered steerer tube
4. application of the stainless steel stickers on the chain stay and down tube
5. holes in the bridges of both chain and seat stay, and a threaded hole in the frame drop out for fender stays



## AUTHOR ALLOY CROSS 29"

By a new category, which we call CROSS 29, we will try to speak to those customers, who are looking for more than just a regular Cross bike as we all know from the beginning. Those want something in between regular Cross 700c and MTB 29 bike. Exactly this kind of bike we are trying to create and offer in this category. To explain or compare it to something are like SUV cars. Customer will get by this model in CROSS 29 category wider handlebars, tires, longer fork's travel and also stronger and stiffer fork and adjusted frame's geometry for those mentioned components. Geometry is still having longer top and head tube, shorter stem and lower BB for more comfortable and safer riding.

Frames thanks to usage of fork's higher travel got the gusset between down and head tube. Above this, models CODEX, AIRLINE, MISSION are getting the real frame's structural element's upgrade and also design neatness by the Inner Cable Routing (ICR) for both derailleurs in the down tube. Rest of the bike models in RESPECT CROSS 29 frame platform (GRAND and STRATOS) have an alloy frame, which is equipped with the integrated interface for International Standard (IS) disc mount and kick stand.

For MY19 we also prepared new man and women frame's platform LOGIC geometry (models VERTIGO, CLASSIC, INTEGRA, HORIZON, LINEA, COMPACT and THEMA), which respects longer fork's travel and wider tires given by new category CROSS 29 features. Frame itself has also new top and down tube shape and gusset between down and head tube. Threaded eye lets on the rear stay for carrier and mudguard stays are matter of course.





SHIMANO  
3x10



SYNERGY

FRAME	Author C carbon monocoque
FORK	RST Vogue Air TRL (60 mm travel)
CHAINWHEEL	Shimano Deore (48-36-26 teeth), BB unit
REAR DERAILLEUR / SHIFTERS	Shimano XT / Deore, 30 speed

CASSETTE	Shimano CS-HG50-10, 10 speed (11-36 teeth)
BRAKES	Tektro Gemini (6"), hydraulic
TIRES	Panaracer Silk Road Kevlar 700 x 42c
COLOR	Matte Carbon / Extreme White / Phantom Black

SHIMANO  
3x10



CODEX

FRAME	triple butted alloy 6061
FORK	RST Vogue Air TRL (80 mm travel)
CHAINWHEEL	Shimano Deore (48-36-26 teeth), BB unit
REAR DERAILLEUR / SHIFTERS	Shimano XT / Deore, 30 speed

CASSETTE	Shimano CS-HG50-10, 10 speed (11-36 teeth)
BRAKES	Tektro Gemini (6"), hydraulic
TIRES	Author Speed Master Kevlar 29" x 1.75"
COLOR	Matte Mc Laren Silver / Author Red / Phantom Black



**SHIMANO**  
3x10



### AIRLINE

FRAME	triple butted alloy 6061	CASSETTE	Shimano CS-HG50-10, 10 speed (11-36 teeth)
FORK	RST Vita TnL (80 mm travel)	BRAKES	Tektro Gemini (6"), hydraulic
CHAINWHEEL	Shimano Deore (48-36-26 teeth), BB unit	TIRES	Author Speed Master Kevlar 29" x 1.75"
REAR DERAILLEUR / SHIFTERS	Shimano Deore, 30 speed	COLOR	Phantom Black / Italian Sky



### MISSION

FRAME	triple butted alloy 6061	CASSETTE	Shimano CS-HG400-9, 9 speed (11-34 teeth)
FORK	RST Vita TnL (80 mm travel)	BRAKES	Tektro Gemini (6"), hydraulic
CHAINWHEEL	Shimano (48-36-26 teeth), BB unit	TIRES	Author Speed Master 29" x 1.75"
REAR DERAILLEUR / SHIFTERS	Shimano Alivio, 27 speed	COLOR	Author Red / Phantom Black





GRAND

FRAME	alloy 6061	CASSETTE	Shimano CS-HG400-9, 9 speed (11-34 teeth)
FORK	RST Vita TnL (80 mm travel)	BRAKES	Tektro Vela (6"), hydraulic
CHAINWHEEL	Suntour NCX (48-36-26 teeth)	TIRES	Author Speed Master 29" x 1.75"
REAR DERAILLEUR / SHIFTERS	Shimano Acera, 27 speed	COLOR	Matte Phantom Black / Neon Orange

GRAND



COLLECTION 2019





STRATOS [A]

FRAME	alloy 6061	CASSETTE	Shimano CS-HG400-9, 9 speed (11-34 teeth)
FORK	RST Capa 29 ML (80 mm travel)	BRAKES	Tektro V
CHAINWHEEL	Suntour NCX (48-36-26 teeth)	TIRES	Author Speed Master 29" x 1.75"
REAR DERAILLEUR / SHIFTERS	Shimano Acera, 27 speed	COLOR A	Kawa Green / Phantom Black



STRATOS [B]

FRAME	alloy 6061	CASSETTE	Shimano CS-HG400-9, 9 speed (11-34 teeth)
FORK	RST Capa 29 ML (80 mm travel)	BRAKES	Tektro V
CHAINWHEEL	Suntour NCX (48-36-26 teeth)	TIRES	Author Speed Master 29" x 1.75"
REAR DERAILLEUR / SHIFTERS	Shimano Acera, 27 speed	COLOR B	Star Dust / Phantom Black



VERTIGO [A]

FRAME	alloy 6061	CASSETTE	Shimano CS-HG200-9, 9 speed (11-34 teeth)
FORK	RST Gila 29 TnL (80 mm travel)	BRAKES	Tektro (6"), hydraulic
CHAINWHEEL	Suntour NCX (48-36-26 teeth)	TIRES	Author Speed Master 29" x 1.75"
REAR DERAILLEUR / SHIFTERS	Shimano Altus, 27 speed	COLOR A	Matte Mc Laren Silver / Atlantic Blue



VERTIGO [B]

FRAME	alloy 6061	CASSETTE	Shimano CS-HG200-9, 9 speed (11-34 teeth)
FORK	RST Gila 29 TnL (80 mm travel)	BRAKES	Tektro (6"), hydraulic
CHAINWHEEL	Suntour NCX (48-36-26 teeth)	TIRES	Author Speed Master 29" x 1.75"
REAR DERAILLEUR / SHIFTERS	Shimano Altus, 27 speed	COLOR B	Kawa Green / Phantom Black





## VERTIGO [C]

FRAME	alloy 6061	CASSETTE	Shimano CS-HG200-9, 9 speed (11-34 teeth)
FORK	RST Gila 29 TnL (80 mm travel)	BRAKES	Tektro (6"), hydraulic
CHAINWHEEL	Suntour NCX (48-36-26 teeth)	TIRES	Author Speed Master 29" x 1.75"
REAR DERAILLEUR / SHIFTERS	Shimano Altus, 27 speed	COLOR C	Matte Phantom Black / Neon Orange

VERTIGO C



COLLECTION 2016





CLASSIC [A]

FRAME	alloy 6061
FORK	RST Capa 29 ML (80 mm travel)
CHAINWHEEL	Suntour NCX (48-36-26 teeth)
REAR DERAILLEUR / SHIFTERS	Shimano Altus, 27 speed

CASSETTE	Shimano CS-HG200-9, 9 speed (11-34 teeth)
BRAKES	Tektro V
TIRES	Author Speed Master 29" x 1.75"
COLOR A	Author Red / Phantom Black



CLASSIC [B]

FRAME	alloy 6061
FORK	RST Capa 29 ML (80 mm travel)
CHAINWHEEL	Suntour NCX (48-36-26 teeth)
REAR DERAILLEUR / SHIFTERS	Shimano Altus, 27 speed

CASSETTE	Shimano CS-HG200-9, 9 speed (11-34 teeth)
BRAKES	Tektro V
TIRES	Author Speed Master 29" x 1.75"
COLOR B	Czech Blue / Phantom Black





INTEGRA [A]

FRAME	alloy 6061	CASSETTE	Shimano CS-HG200-9, 9 speed (11-34 teeth)
FORK	RST Capa 29 ML (80 mm travel)	BRAKES	Tektro V
CHAINWHEEL	Suntour NCX (44-32-22 teeth)	TIRES	Author Speed Master 29" x 1.75"
REAR DERAILLEUR / SHIFTERS	Shimano Altus, 27 speed	COLOR A	Matte Treasure Silver / Fresh Lila



INTEGRA [B]

FRAME	alloy 6061	CASSETTE	Shimano CS-HG200-9, 9 speed (11-34 teeth)
FORK	RST Capa 29 ML (80 mm travel)	BRAKES	Tektro V
CHAINWHEEL	Suntour NCX (44-32-22 teeth)	TIRES	Author Speed Master 29" x 1.75"
REAR DERAILLEUR / SHIFTERS	Shimano Altus, 27 speed	COLOR B	Extreme White / Arctic Blue



HORIZON [A]

FRAME	alloy 6061	CASSETTE	Shimano CS-HG200-8, 8 speed (12-32 teeth)
FORK	RST Capa 29 T (80 mm travel)	BRAKES	Tektro V
CHAINWHEEL	Prowheel (48-38-28 teeth)	TIRES	Author Speed Master 29" x 1.75"
REAR DERAILLEUR / SHIFTERS	Shimano TX800, 24 speed	COLOR A	Matte Temple Grey / Kawa Green



HORIZON [B]

FRAME	alloy 6061	CASSETTE	Shimano CS-HG200-8, 8 speed (12-32 teeth)
FORK	RST Capa 29 T (80 mm travel)	BRAKES	Tektro V
CHAINWHEEL	Prowheel (48-38-28 teeth)	TIRES	Author Speed Master 29" x 1.75"
REAR DERAILLEUR / SHIFTERS	Shimano TX800, 24 speed	COLOR B	Matte Treasure Silver / Racing red





LINEA [A]

FRAME	alloy 6061	KAZETA	Shimano CS-HG200-8, 8 rychlostí (12-32 teeth)
FORK	RST Capa 29 T (80 mm travel)	BRAKES	Tektro V
CHAINWHEEL	Prowheel (42-34-24 teeth)	TIRES	Author Speed Master 29" x 1.75"
REAR DERAILLEUR / SHIFTERS	Shimano TX800, 24 speed	COLOR A	Extreme White / Caribbean Green



LINEA [B]

FRAME	alloy 6061	KAZETA	Shimano CS-HG200-8, 8 rychlostí (12-32 teeth)
FORK	RST Capa 29 T (80 mm travel)	BRAKES	Tektro V
CHAINWHEEL	Prowheel (42-34-24 teeth)	TIRES	Author Speed Master 29" x 1.75"
REAR DERAILLEUR / SHIFTERS	Shimano TX800, 24 speed	COLOR B	Matte Temple Grey / Suzy Pink



COMPACT [A]

FRAME	alloy 6061
FORK	RST Capa 29 T (80 mm travel)
CHAINWHEEL	Prowheel (48-38-28 teeth)
REAR DERAILLEUR / SHIFTERS	Shimano TY500/ Shimano, 21 speed

SPROCKET	Shimano MF-TZ500-7, 7 speed (14-28 teeth)
BRAKES	Tektro V
TIRES	Author Speed Master 29" x 1.75"
COLOR A	Extreme White / Italian Sky / Phantom Black



COMPACT [B]

FRAME	alloy 6061
FORK	RST Capa 29 T (80 mm travel)
CHAINWHEEL	Prowheel (48-38-28 teeth)
REAR DERAILLEUR / SHIFTERS	Shimano TY500 / Shimano, 21 speed

SPROCKET	Shimano MF-TZ500-7, 7 speed (14-28 teeth)
BRAKES	Tektro V
TIRES	Author Speed Master 29" x 1.75"
COLOR B	Matte Temple Grey / Kawa Green





THEMA [A]

FRAME	alloy 6061	SPROCKET	Shimano MF-TZ500-7, 7 speed (14-28 teeth)
FORK	hi-ten	BRAKES	Tektro V
CHAINWHEEL	Prowheel (42-34-24 teeth)	TIRES	Author Speed Master 29" x 1.75"
REAR DERAILLEUR / SHIFTERS	Shimano TY500 / Shimano, 21 speed	COLOR A	Extreme White / Racing Red



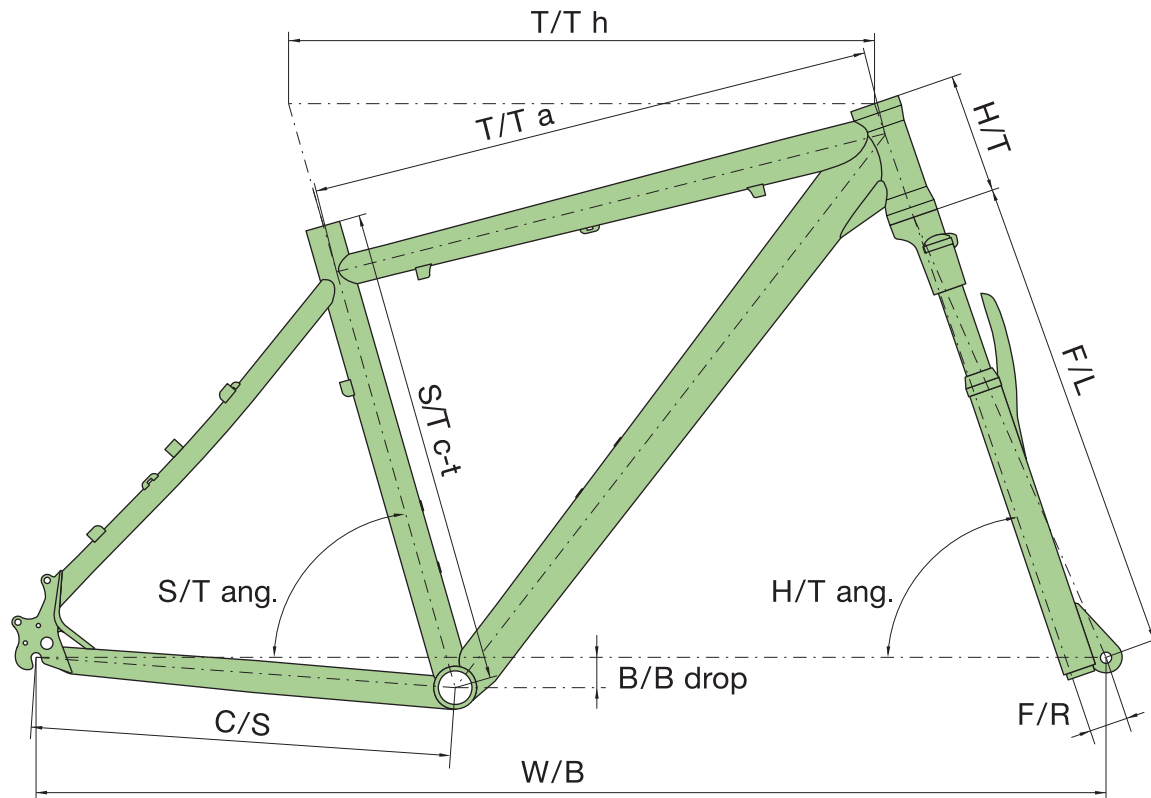
THEMA [B]

FRAME	alloy 6061	SPROCKET	Shimano MF-TZ500-7, 7 speed (14-28 teeth)
FORK	hi-ten	BRAKES	Tektro V
CHAINWHEEL	Prowheel (42-34-24 teeth)	TIRES	Author Speed Master 29" x 1.75"
REAR DERAILLEUR/ SHIFTERS	Shimano TY500 / Shimano, 21 speed	COLOR B	Matte Temple Grey / Menthol Green

MODEL	SYNERGY	CODEX	AIRLINE	MISSION	GRAND	STRATOS
SIZE	16", 18", 20", 22"	16", 18", 20", 22"	16", 18", 20", 22"	16", 18", 20", 22"	16", 18", 20", 22"	16", 18", 20", 22"
FRAME	AUTHOR C karbon monocoque 29"	triple butted alloy 6061 29"	triple butted alloy 6061 29"	triple butted alloy 6061 29"	alloy 6061 29"	alloy 6061 29"
FRONT FORK	RST Vogue Air TRL air, remote lock out (60 mm)	RST Vogue Air TRL air, remote lock out (80 mm)	RST Vita TnL oil, lock out (80 mm)	RST Vita TnL oil, lock out (80 mm)	RST Vita TnL oil, lock out (80 mm)	RST Capa 29 ML lock out (80 mm)
HEAD PARTS	AUTHOR Integrated 1.5" tapered	AUTHOR Integrated 1-1/8"	AUTHOR Integrated 1-1/8"	AUTHOR Integrated 1-1/8"	AUTHOR Integrated 1-1/8"	AUTHOR Integrated 1-1/8"
CHAINWHEEL	SHIMANO Deore 48-36-26 teeth 170 / 175 mm cranks	SHIMANO Deore 48-36-26 teeth 170 / 175 mm cranks	SHIMANO Deore 48-36-26 teeth 170 / 175 mm cranks	SHIMANO T4060 48-36-26 teeth 170 / 175 mm cranks	SUNTOUR NCX 48-36-26 teeth 170 / 175 mm cranks	SUNTOUR NCX 48-36-26 teeth 170 / 175 mm cranks
B.B. PARTS	SHIMANO BB-52 BB unit	SHIMANO BB-52 BB unit	SHIMANO BB-52 BB unit	SHIMANO BB-52 BB unit	SUNTOUR XCT cartridge	SUNTOUR XCT cartridge
FRONT DERAILEUR	SHIMANO Deore (34.9)	SHIMANO Deore (31.8)	SHIMANO Deore (31.8)	SHIMANO Altus (31.8)	SHIMANO Altus (31.8)	SHIMANO Altus (31.8)
REAR DERAILEUR	SHIMANO XT	SHIMANO XT	SHIMANO Deore	SHIMANO Alivio	SHIMANO Acera	SHIMANO Acera
SHIFTERS	SHIMANO Deore (30)	SHIMANO Deore (30)	SHIMANO Deore (30)	SHIMANO Alivio (27)	SHIMANO Acera (27)	SHIMANO Acera (27)
FREEWHEEL	SHIMANO HG50-10 11-36 (10)	SHIMANO HG50-10 11-36 (10)	SHIMANO HG50-10 11-36 (10)	SHIMANO HG400-9 11-34 (9)	SHIMANO HG400-9 11-34 (9)	SHIMANO HG400-9 11-34 (9)
CHAIN	SHIMANO HG54	KMC X10	KMC X10	KMC Z9	KMC Z9	KMC Z9
HUBS	AUTHOR Xenon 32 holes	AUTHOR Xenon 32 holes	AUTHOR Radon 32 holes	AUTHOR Radon 32 holes	QUANDO Disc 32 holes	QUANDO 32 holes
BRAKES	TEKTRO Gemini disc hydraulic (6" rotors)	TEKTRO Gemini disc hydraulic (6" rotors)	TEKTRO Gemini disc hydraulic (6" rotors)	TEKTRO Gemini disc hydraulic (6" rotors)	TEKTRO Vela disc hydraulic (6" rotors)	TEKTRO V
BRAKE LEVERS	TEKTRO Gemini	TEKTRO Gemini	TEKTRO Gemini	TEKTRO Gemini	TEKTRO Vela	SHIMANO Acera
RIMS	AUTHOR Xenon 29 32 holes	AUTHOR Xenon 29 32 holes	AUTHOR Xenon 29 32 holes	AUTHOR Xenon 29 32 holes	AUTHOR Xenon 29 32 holes	AUTHOR Argon 29 32 holes
SPOKES	black stainless steel 2.0 mm	black stainless steel 2.0 mm	black stainless steel 2.0 mm	black stainless steel 2.0 mm	black stainless steel 2.0 mm	black stainless steel 2.0 mm
TIRES	PANARACER Silk Road Cross Kevlar 700x 42c	AUTHOR Speed Master Kevlar 29"x 1.75"	AUTHOR Speed Master Kevlar 29"x 1.75"	AUTHOR Speed Master 29"x 1.75"	AUTHOR Speed Master 29"x 1.75"	AUTHOR Speed Master 29"x 1.75"
PEDALS	AUTHOR onese clipless	AUTHOR onese clipless	AUTHOR alloy	AUTHOR alloy	AUTHOR alloy	AUTHOR alloy
HANDLEBAR	AUTHOR 15 mm 660 / 680 mm	AUTHOR 15 mm 680 mm	AUTHOR 15 mm 680 mm	AUTHOR 15 mm 680 mm	AUTHOR 25 mm 680 mm	AUTHOR 25 mm 680 mm
GRIPS	AUTHOR Microtech ErgoGrip	AUTHOR Microtech ErgoGrip	AUTHOR Microtech ErgoGrip	AUTHOR Microtech ErgoGrip	AUTHOR ErgoGrip Lock	AUTHOR ErgoGrip Lock
STEM	AUTHOR alloy	AUTHOR alloy	AUTHOR alloy	AUTHOR alloy	UNO adjustable	UNO adjustable
SEAT POST	AUTHOR alloy (27.2)	AUTHOR alloy (27.2)	AUTHOR alloy (27.2)	AUTHOR alloy (27.2)	AUTHOR alloy (27.2)	AUTHOR alloy (27.2)
SEAT CLAMP	AUTHOR (31.8)	AUTHOR (31.8)	AUTHOR (31.8)	AUTHOR (31.8)	AUTHOR (31.8)	AUTHOR (31.8)
SADDLE	AUTHOR Navigator CR	AUTHOR Sphere Gel	AUTHOR Sphere Gel	AUTHOR Sphere Gel	AUTHOR Sphere Gel	AUTHOR Sphere Gel
SPEED	30	30	30	27	27	27
WEIGHT	11.9 kg / 20"	12.5 kg / 20"	13.2 kg / 20"	13.7 kg / 20"	15.0 kg / 20"	14.0 kg / 20"



MODEL	VERTIGO	CLASSIC	INTEGRA	HORIZON	LINEA	COMPACT	THEMA
SIZE	16", 18", 20", 22"	16", 18", 20", 22"	17", 19"	16", 18", 20", 22"	17", 19"	18", 20", 22"	17", 19"
FRAME	alloy 6061 29"	alloy 6061 29"	alloy 6061 29" (L)	alloy 6061 29"	alloy 6061 29" (L)	alloy 6061 29"	alloy 6061 29" (L)
FRONT FORK	RST Gila 29 TrL lock out (80 mm)	RST Capa 29 ML lock out (80 mm)	RST Capa 29 ML lock out (80 mm)	RST Capa 29 T (80 mm)	RST Capa 29 T (80 mm)	RST Capa 29 T (80 mm)	hi-ten
HEAD PARTS	PRESTINE Integrated 1-1/8"	PRESTINE Integrated 1-1/8"	PRESTINE Integrated 1-1/8"	PRESTINE Integrated 1-1/8"	PRESTINE Integrated 1-1/8"	VP COMP 1-1/8"	VP COMP 1-1/8"
CHAINWHEEL	SUNTOUR NCX 48-36-26 teeth 170 / 175 mm cranks	SUNTOUR NCX 48-36-26 teeth 170 / 175 mm cranks	SUNTOUR NCX 44-32-22 teeth 170 mm cranks	PROWHEEL 48-38-28 teeth 170 / 175 mm cranks	PROWHEEL 42-34-24 teeth 170 / 175 mm cranks	PROWHEEL 48-38-28 teeth 170 mm cranks	PROWHEEL 42-34-24 teeth 170 mm cranks
B.B. PARTS	SUNTOUR XCT cartridge	SUNTOUR XCT cartridge	SUNTOUR XCT cartridge	VP COMP cartridge	VP COMP cartridge	VP COMP cartridge	VP COMP cartridge
FRONT DERAILLEUR	SHIMANO Altus (31.8)	SHIMANO Altus (31.8)	SHIMANO Altus (31.8)	SHIMANO TY700 (31.8)	SHIMANO TY700 (31.8)	SHIMANO TY500 (31.8)	SHIMANO TY500 (31.8)
REAR DERAILLEUR	SHIMANO Altus	SHIMANO Altus	SHIMANO Altus	SHIMANO TX800	SHIMANO TX800	SHIMANO TY500	SHIMANO TY500
SHIFTERS	SHIMANO Altus (27)	SHIMANO Altus (27)	SHIMANO Altus (27)	SHIMANO TX800 (24)	SHIMANO TX800 (24)	SHIMANO (21)	SHIMANO (21)
FREEWHEEL	SHIMANO HG200-9 11-34 (9)	SHIMANO HG200-9 11-34 (9)	SHIMANO HG200-9 11-34 (9)	SHIMANO HG200-8 12-32 (8)	SHIMANO HG200-8 12-32 (8)	SHIMANO MF-TZ500 14-28 (7)	SHIMANO MF-TZ500 14-28 (7)
CHAIN	KMC Z9	KMC Z9	KMC Z9	KMC Z8.1	KMC Z8.1	KMC Z7	KMC Z7
HUBS	QUANDO Disc 32 holes	QUANDO 32 holes	QUANDO 32 holes	QUANDO 32 holes	QUANDO 32 holes	QUANDO 36 holes	QUANDO 36 holes
BRAKES	TEKTRO disc hydraulic (6" rotors)	TEKTRO V	TEKTRO V	TEKTRO V	TEKTRO V	TEKTRO V	TEKTRO V
BRAKE LEVERS	TEKTRO	SHIMANO Altus	SHIMANO Altus	SHIMANO TX800	SHIMANO M310	SHIMANO	SHIMANO
RIMS	AUTHOR Xenon 29 32 holes	AUTHOR Argon 29 32 holes	AUTHOR Argon 29 32 holes	alloy 32 holes	alloy 32 holes	alloy 36 holes	alloy 36 holes
SPOKES	black steel	black steel	black steel	black steel	black steel	steel	steel
TIRES	AUTHOR Speed Master 29"x 1.75"	AUTHOR Speed Master 29"x 1.75"	AUTHOR Speed Master 29"x 1.75"	AUTHOR Speed Master 29"x 1.75"	AUTHOR Speed Master 29"x 1.75"	AUTHOR Speed Master 29"x 1.75"	AUTHOR Speed Master 29"x 1.75"
PEDALS	AUTHOR Non Slip resin	AUTHOR Non Slip resin	AUTHOR Non Slip resin	AUTHOR Non Slip resin	AUTHOR Non Slip resin	resin	resin
HANDLEBAR	steel 20 mm 680 mm	steel 20 mm 680 mm	steel 20 mm 640 mm	steel 20 mm 680 mm	steel 20 mm 640 mm	steel 20 mm 660 mm	steel 20 mm 640 mm
GRIPS	AUTHOR ErgoGrip	AUTHOR ErgoGrip	AUTHOR ErgoGrip	AUTHOR ErgoGrip	AUTHOR ErgoGrip	AUTHOR high density foam	AUTHOR high density foam
STEM	ZOOM adjustable	ZOOM adjustable	ZOOM adjustable	ZOOM alloy	ZOOM alloy	ZOOM alloy	ZOOM alloy
SEAT POST	ZOOM alloy (27.2)	ZOOM alloy (27.2)	ZOOM alloy (27.2)	ZOOM alloy (27.2)	ZOOM alloy (27.2)	ZOOM alloy (27.2)	ZOOM alloy (27.2)
SEAT CLAMP	AUTHOR (31.8)	AUTHOR (31.8)	AUTHOR (31.8)	AUTHOR (31.8)	AUTHOR (31.8)	AUTHOR (31.8)	AUTHOR (31.8)
SADDLE	AUTHOR Sphere	AUTHOR Sphere	AUTHOR Noble	AUTHOR Sphere	AUTHOR Noble	AUTHOR Sphere	AUTHOR Noble
SPEED	27	27	27	24	24	21	21
WEIGHT	15.2 kg / 20"	14.2 kg / 17"	14.1 kg / 20"	13.9 kg / 17"	13.9 kg / 17"	14.4 kg / 20"	13.3 kg / 17"



	S/T c-t	T/T h	T/T a	H/T	C/S	W/B	S/T ang.	H/T ang.	F/L	B/B drop	B/B width	F/R
<b>SYNERGY* T 1.5" DI</b>												
16"	410	553	533	120	440	1047	73.0	71.0	470	45	73	46
18"	461	560	537	130	440	1054	73.0	71.0	470	45	73	46
20"	512	583	559	145	440	1077	73.0	71.0	470	45	73	46
22"	563	605	580	160	440	1100	73.0	71.0	470	45	73	46
<b>CODEX* / AIRLINE* / MISSION* / GRAND* / STRATOS*</b>												
16"	406	560	540	110	450	1055	73.0	71.0	490	60	68	44
18"	457	580	556	130	450	1076	73.0	71.0	490	60	68	44
20"	508	600	574	150	450	1097	73.0	71.0	490	60	68	44
22"	559	620	595	160	450	1117	73.0	71.0	490	60	68	44
<b>VERTIGO* / CLASSIC*</b>												
16"	406	560	545	110	450	1052	73.0	71.0	490	60	68	51
18"	457	580	559	130	450	1079	73.0	71.0	490	60	68	51
20"	508	600	575	150	450	1099	73.0	71.0	490	60	68	51
22"	559	620	595	160	450	1120	73.0	71.0	490	60	68	51
<b>HORIZON*</b>												
16"	406	560	549	110	450	1068	74.0	70.5	490	60	68	51
18"	457	580	560	130	450	1090	73.5	70.5	490	60	68	51
20"	508	600	577	150	450	1111	73.5	71.0	490	60	68	51
22"	559	620	594	160	450	1114	73.0	71.5	490	60	68	51
<b>COMPACT</b>												
18"	457	580	559	100	450	1082	73.5	70.5	490	60	68	51
20"	508	600	577	120	450	1110	73.5	71.0	490	60	68	51
22"	559	620	595	140	450	1118	73.0	71.5	490	60	68	51

\* t 1.5" DI - integrated head set 1.5" tapered DI  
 \* - 1 1/8" semiintegrated head set PF 50 mm

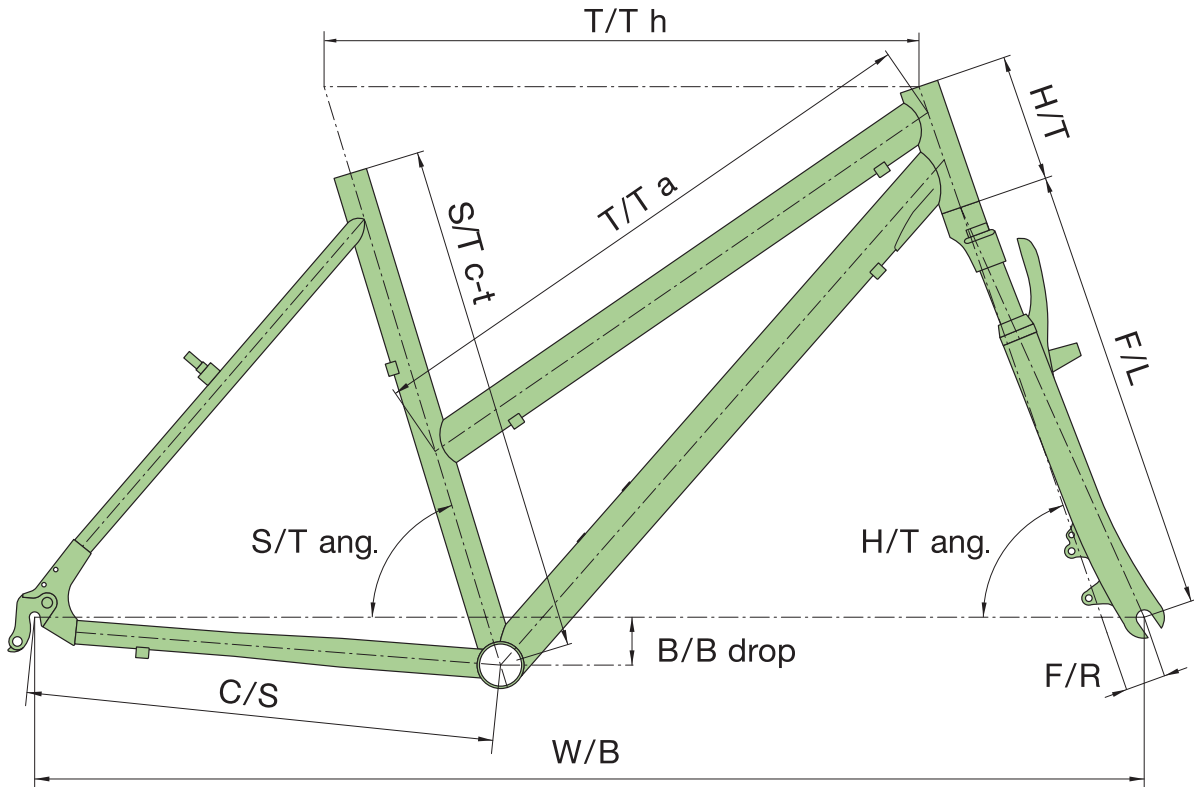
DI - Drop In  
 PF - Press Fit

**GEOMETRY TABLE LEGEND:**

- S/T c-t - seat tube (center-top)
- T/T h - top tube horizontal
- T/T a - top tube actual
- H/T - head tube
- C/S - chain stay
- W/B - wheel base
- S/T ang. - seat tube angle
- H/T ang. - head tube angle
- F/L - fork length
- B/B drop - bottom bracket drop
- B/B width - bottom bracket width
- F/R - fork rake

Recommended frame size to the body height for each model you can find on our web site [www.author.eu](http://www.author.eu)





	S/T c-t	T/T h	T/T a	H/T	C/S	W/B	S/T ang.	H/T ang.	F/L	B/B drop	B/B width	F/R
<b>INTEGRA *</b>												
17"	432	565	590	120	450	1080	73.5	70.5	490	60	68	51
19"	483	585	610	130	450	1100	73.5	70.5	490	60	68	51
<b>LINEA *</b>												
17"	432	565	591	120	450	1080	73.5	70.5	490	60	68	51
19"	483	585	610	130	450	1101	73.5	70.5	490	60	68	51
<b>THEMA</b>												
17"	432	565	585	140	450	1056	73.5	70.5	431	60	68	30
19"	483	585	606	155	450	1077	73.5	70.5	431	60	68	30

\* t 1.5" DI - integrated head set 1.5" tapered DI  
 \* - 1 1/8" semiintegrated head set PF 50 mm

DI - Drop In  
 PF - Press Fit

**GEOMETRY TABLE LEGEND:**

- S/T c-t - seat tube (center-top)
- T/T h - top tube horizontal
- T/T a - top tube actual
- H/T - head tube
- C/S - chain stay
- W/B - wheel base
- S/T ang. - seat tube angle
- H/T ang. - head tube angle
- F/L - fork length
- B/B drop - bottom bracket drop
- B/B width - bottom bracket width
- F/R - fork rake

Recommended frame size to the body height for each model you can find on our web site [www.author.eu](http://www.author.eu)



# CROSS ASL 29





## AUTHOR CROSS ASL 29"

6 models CODEX ASL, AIRLINE ASL, GRAND ASL, STRATOS ASL, VERTIGO ASL and HORIZON ASL created for sportsmanlike girls who are not interested in a men's cross model, refusing to put up with a classic women's cross frame. We also changed this bike category for a new CROSS 29 ASL name and frame's geometry, which respects longer fork's travel and wider tires given by new category features as well as is still having longer top and head tube, shorter stem and lower BB for more comfortable safer riding.

The highest models CODEX ASL and AIRLINE ASL are getting the real frame's structural element's upgrade and also design neatness by the Inner Cable Routing (ICR) for both derailleur's in the down tube. Rest of the bike models in RESPECT CROSS 29 ASL frame platform (GRAND ASL and STRATOS ASL) have an alloy frame, which is equipped with the integrated interface for International Standard (IS) disc mount and kick stand.

For MY19 we also prepared new CROSS ASL 29 frame's platform LOGIC geometry (models VERTIGO ASL and HORIZON ASL), which respects longer fork's travel and wider tires given by new category CROSS 29 features. Frame itself has also new top and down tube shape and gusset between down and head tube. Threaded eye lets on the rear stay for carrier and mudguard stays are matter of course.

Above mentioned models (CODEX ASL, AIRLINE ASL, GRAND ASL, STRATOS ASL, VERTIGO ASL a HORIZON ASL) have a convexly bended frame top tube and they will be offered recently in 3 sizes: 15, 17 and 19".



SHIMANO  
3x10



CODEX ASL

FRAME	triple butted alloy 6061 (ASL)
FORK	RST Vogue Air TRL (80 mm travel)
CHAINWHEEL	Shimano Deore (44-32-24 teeth), BB unit
REAR DERAILLEUR / SHIFTERS	Shimano XT / Deore, 30 speed

CASSETTE	Shimano CS-HG50-10, 10 speed (11-36 teeth)
BRAKES	Tektro Gemini WS (6"), hydraulic
TIRES	Author Speed Master Kevlar 29" x 1.75"
COLOR	Matte Mc Laren Silver / Phantom Black

SHIMANO  
3x10



AIRLINE ASL

FRAME	triple butted alloy 6061 (ASL)
FORK	RST Vita TnL (80 mm travel)
CHAINWHEEL	Shimano Deore (44-32-24 teeth), BB unit
REAR DERAILLEUR / SHIFTERS	Shimano Deore, 30 speed

CASSETTE	Shimano CS-HG50-10, 10 speed (11-36 teeth)
BRAKES	Tektro Gemini WS (6"), hydraulic
TIRES	Author Speed Master Kevlar 29" x 1.75"
COLOR	Matte Phantom Black / Lime





### GRAND ASL

<b>FRAME</b>	alloy 6061 (ASL)	<b>CASSETTE</b>	Shimano CS-HG400-9, 9 speed (11-34 teeth)
<b>FORK</b>	RST Vita TnL (80 mm travel)	<b>BRAKES</b>	Tektro Vela (6"), hydraulic
<b>CHAINWHEEL</b>	Suntour NCX (44-32-22 teeth)	<b>TIRES</b>	Author Speed Master 29" x 1.75"
<b>REAR DERAILLEUR / SHIFTERS</b>	Shimano Acera, 27 speed	<b>COLOR</b>	Matte Mc Laren Silver / Fresh Lila







STRATOS ASL [A]

FRAME	alloy 6061 (ASL)
FORK	RST Capa 29 ML (80 mm travel)
CHAINWHEEL	Suntour NCX (44-32-22 teeth)
REAR DERAILLEUR / SHIFTERS	Shimano Acera, 27 speed

CASSETTE	Shimano CS-HG400-9, 9 speed (11-34 teeth)
BRAKES	Tektro V
TIRES	Author Speed Master 29" x 1.75"
COLOR A	Extreme White / Neon Orange / Phantom Black



STRATOS ASL [B]

FRAME	alloy 6061 (ASL)
FORK	RST Capa 29 ML (80 mm travel)
CHAINWHEEL	Suntour NCX (44-32-22 teeth)
REAR DERAILLEUR / SHIFTERS	Shimano Acera, 27 speed

CASSETTE	Shimano CS-HG400-9, 9 speed (11-34 teeth)
BRAKES	Tektro V
TIRES	Author Speed Master 29" x 1.75"
COLOR B	Matte Temple Grey / Suzy Pink





VERTIGO ASL [A]

FRAME	alloy 6061 (ASL)	CASSETTE	Shimano CS-HG200-9, 9 speed (11-34 teeth)
FORK	RST Gila 29 TnL (80 mm travel)	BRAKES	Tektro WS (6"), hydraulic
CHAINWHEEL	Suntour NCX (44-32-22 teeth)	TIRES	Author Speed Master 29" x 1.75"
REAR DERAILLEUR / SHIFTERS	Shimano Altus, 27 speed	COLOR A	Matte Temple Grey / Lime



VERTIGO ASL [B]

FRAME	alloy 6061 (ASL)	CASSETTE	Shimano CS-HG200-9, 9 speed (11-34 teeth)
FORK	RST Gila 29 TnL (80 mm travel)	BRAKES	Tektro WS (6"), hydraulic
CHAINWHEEL	Suntour NCX (44-32-22 teeth)	TIRES	Author Speed Master 29" x 1.75"
REAR DERAILLEUR / SHIFTERS	Shimano Altus, 27 speed	COLOR B	Matte Treasure Silver / Fresh Lila



HORIZON ASL [A]

FRAME	alloy 6061 (ASL)
FORK	RST Capa 29 T (80 mm travel)
CHAINWHEEL	Prowheel (42-34-24 teeth)
REAR DERAILLEUR / SHIFTERS	Shimano TX800, 24 speed

CASSETTE	Shimano CS-HG200-8, 8 speed (12-32 teeth)
BRAKES	Tektro V
TIRES	Author Speed Master 29" x 1.75"
COLOR A	Extreme White / Racing Red



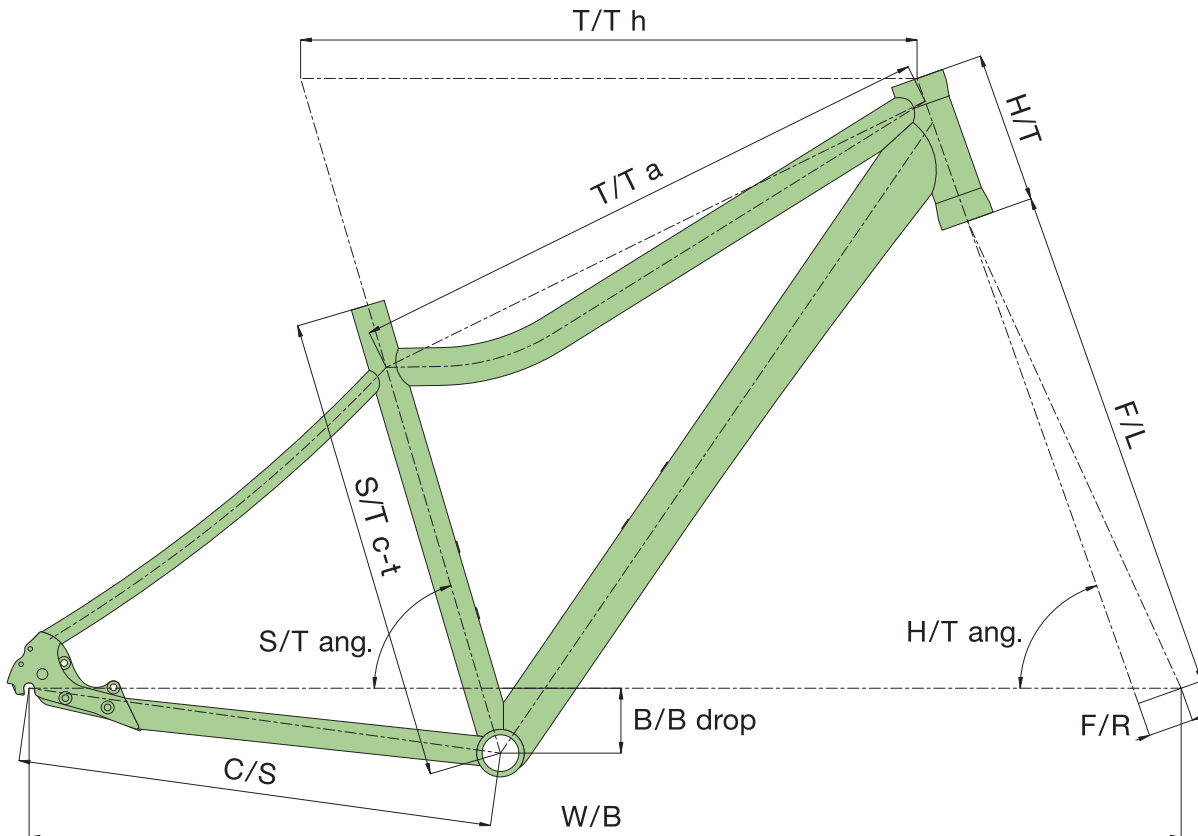
HORIZON ASL [B]

FRAME	alloy 6061 (ASL)
FORK	RST Capa 29 T (80 mm travel)
CHAINWHEEL	Prowheel (42-34-24 teeth)
REAR DERAILLEUR / SHIFTERS	Shimano TX800, 24 speed

CASSETTE	Shimano CS-HG200-8, 8 speed (12-32 teeth)
BRAKES	Tektro V
TIRES	Author Speed Master 29" x 1.75"
COLOR B	Matte Temple Grey / Suzy Pink



MODEL	CODEX ASL	AIRLINE ASL	GRAND ASL	STRATOS ASL	VERTIGO ASL	HORIZON ASL
SIZE	15", 17", 19"	15", 17", 19"	15", 17", 19"	15", 17", 19"	15", 17", 19"	15", 17", 19"
FRAME	triple butted alloy 6061 29" (ASL)	triple butted alloy 6061 29" (ASL)	alloy 6061 29" (ASL)	alloy 6061 29" (ASL)	alloy 6061 29" (ASL)	alloy 6061 29" (ASL)
FRONT FORK	RST Vogue Air TRL air, remote lock out (80 mm)	RST Vita TnL oil, lock out (80 mm)	RST Vita TnL oil, lock out (80 mm)	RST Capa 29 ML lock out (80 mm)	RST Gila 29 TnL lock out (80 mm)	RST Capa 29 T (80 mm)
HEAD PARTS	AUTHOR Integrated 1-1/8"	AUTHOR Integrated 1-1/8"	AUTHOR Integrated 1-1/8"	AUTHOR Integrated 1-1/8"	PRESTINE Integrated 1-1/8"	PRESTINE Integrated 1-1/8"
CHAINWHEEL	SHIMANO Deore 44-32-24 teeth 170 / 175 mm cranks	SHIMANO Deore 44-32-24 teeth 170 / 175 mm cranks	SUNTOUR NCX 44-32-22 teeth 170 mm cranks	SUNTOUR NCX 44-32-22 teeth 170 mm cranks	SUNTOUR NCX 44-32-22 teeth 170 / 175 mm cranks	PROWHEEL 42-34-24 teeth 170 / 175 mm cranks
B.B. PARTS	SHIMANO BB-52 BB unit	SHIMANO BB-52 BB unit	SUNTOUR XCT cartridge	SUNTOUR XCT cartridge	SUNTOUR XCT cartridge	VP COMP cartridge
FRONT DERAILLEUR	SHIMANO Deore (31.8)	SHIMANO Deore (31.8)	SHIMANO Altus (31.8)	SHIMANO Altus (31.8)	SHIMANO Altus (31.8)	SHIMANO TY700 (31.8)
REAR DERAILLEUR	SHIMANO XT	SHIMANO Deore	SHIMANO Acera	SHIMANO Acera	SHIMANO Altus	SHIMANO TX800
SHIFTERS	SHIMANO Deore (30)	SHIMANO Deore (30)	SHIMANO Acera (27)	SHIMANO Acera (27)	SHIMANO Altus (27)	SHIMANO TX800 (24)
FREEWHEEL	SHIMANO HG50-10 11-36 (10)	SHIMANO HG50-10 11-36 (10)	SHIMANO HG400-9 11-34 (9)	SHIMANO HG400-9 11-34 (9)	SHIMANO HG200-9 11-34 (9)	SHIMANO HG200-8 12-32 (8)
CHAIN	KMC X10	KMC X10	KMC Z9	KMC Z9	KMC Z9	KMC Z8.1
HUBS	AUTHOR Xenon 32 holes	AUTHOR Radon 32 holes	QUANDO Disc 32 holes	QUANDO 32 holes	QUANDO Disc 32 holes	QUANDO 32 holes
BRAKES	TEKTRO Gemini disc hydraulic (6" rotors)	TEKTRO Gemini disc hydraulic (6" rotors)	TEKTRO Vela disc hydraulic (6" rotors)	TEKTRO V	TEKTRO disc hydraulic (6" rotors)	TEKTRO V
BRAKE LEVERS	TEKTRO Gemini WS	TEKTRO Gemini WS	TEKTRO Vela	SHIMANO Acera	TEKTRO	SHIMANO M310
RIMS	AUTHOR Xenon 29 32 holes	AUTHOR Xenon 29 32 holes	AUTHOR Xenon 29 32 holes	AUTHOR Argon 29 32 holes	AUTHOR Xenon 29 32 holes	alloy 32 holes
SPOKES	black stainless steel 2.0 mm	black stainless steel 2.0 mm	black stainless steel 2.0 mm	black stainless steel 2.0 mm	black steel	black steel
TIRES	AUTHOR Speed Master Kevlar 29"x 1.75"	AUTHOR Speed Master Kevlar 29"x 1.75"	AUTHOR Speed Master 29"x 1.75"	AUTHOR Speed Master 29"x 1.75"	AUTHOR Speed Master 29"x 1.75"	AUTHOR Speed Master 29"x 1.75"
PEDALS	AUTHOR onside clipless	AUTHOR Non Slip alloy	AUTHOR Non Slip alloy	AUTHOR Non Slip alloy	AUTHOR Non Slip resin	AUTHOR Non Slip resin
HANDLEBAR	AUTHOR 15 mm 660 / 680 mm	AUTHOR 15 mm 660 / 680 mm	AUTHOR 25 mm 660 / 680 mm	AUTHOR 25 mm 660 / 680 mm	steel 20 mm 660 / 680 mm	steel 20 mm 660 / 680 mm
GRIPS	AUTHOR Microtech ErgoGrip	AUTHOR Microtech ErgoGrip	AUTHOR ErgoGrip Lock	AUTHOR ErgoGrip Lock	AUTHOR ErgoGrip	AUTHOR ErgoGrip
STEM	AUTHOR alloy	AUTHOR alloy	UNO adjustable	UNO adjustable	ZOOM adjustable	ZOOM alloy
SEAT POST	AUTHOR alloy (27.2)	AUTHOR alloy (27.2)	AUTHOR alloy (27.2)	AUTHOR alloy (27.2)	ZOOM alloy (27.2)	ZOOM alloy (27.2)
SEAT CLAMP	AUTHOR (31.8)	AUTHOR (31.8)	AUTHOR (31.8)	AUTHOR (31.8)	AUTHOR (31.8)	AUTHOR (31.8)
SADDLE	AUTHOR Area Gel	AUTHOR Area Gel	AUTHOR Area Gel	AUTHOR Area Gel	AUTHOR Area	AUTHOR Area
SPEED	30	30	27	27	27	24
WEIGHT	12.6 kg / 17"	13.2 kg / 17"	14.6 kg / 17"	13.9 kg / 17"	15.1 kg / 17"	13.9 kg / 17"



	S/T c-t	T/T h	T/T a	H/T	C/S	W/B	S/T ang.	H/T ang.	F/L	B/B drop	B/B width	F/R
<b>CODEX ASL* / AIRLINE ASL* / GRAND ASL* / STRATOS ASL*</b>												
15"	381	550	536	110	450	1057	73.5	70.5	490	60	68	44
17"	432	570	549	120	450	1077	73.5	70.5	490	60	68	44
19"	483	590	566	130	450	1098	73.5	70.5	490	60	68	44
<b>VERTIGO ASL* / HORIZON ASL*</b>												
15"	381	550	545	110	450	1064	73.5	70.5	490	60	68	51
17"	432	570	554	120	450	1078	73.5	70.5	490	60	68	51
19"	483	590	568	130	450	1106	73.5	70.5	490	60	68	51

\* - 1 1/8" semiintegrated head set PF 50 mm

PF - Press Fit

**GOMETRY TABLE LEGEND:**

- S/T c-t - seat tube (center-top)
- T/T h - top tube horizontal
- T/T a - top tube actual
- H/T - head tube
- C/S - chain stay
- W/B - wheel base
- S/T ang. - seat tube angle
- H/T ang. - head tube angle
- F/L - fork length
- B/B drop - bottom bracket drop
- B/B width - bottom bracket width
- F/R - fork rake

Recommended frame size to the body height for each model you can find on our web site [www.author.eu](http://www.author.eu)



# CROSS ASL 29



COLLEZIONE 2014



# CITY



COLLECTION 2019



## AUTHOR CITY

With increasing popularity of lifestyle riding we have prepared two new city models Voyage (for men) and Gloria (for ladies). These 2 models have the frames made of proven alloy 6061 and 28" wheels with tire size of 700 x 35. They are equipped with 8 speeds rear derailleurs, elegant caliper rim brakes, stylish chainguard, carrier, mudguards and comfortable handlebars and saddle. Both models are designed in "Retro Style" but using modern technologies and materials. The Voyage model is available in the frame sizes of 18, 20 and 22". The Gloria model is available in the frame sizes of 17 and 19".

All color variants are of simple and pure design.





VOYAGE [A]

FRAME	alloy 6061 700c
-------	-----------------

FORK	hi-ten
------	--------

CHAINWHEEL	Lasco (38 teeth)
------------	------------------

REAR DERAILLEUR / SHIFTERS	Shimano Altus / Revoshift, 8 speed
----------------------------	------------------------------------

CASSETTE	Shimano CS-HG31-8, 8 speed (11-34 teeth)
----------	--

BRAKES	Promax V
--------	----------

TIRES	CST Sensamo Speed 700 x 35c
-------	-----------------------------

COLOR A	King Red
---------	----------



VOYAGE [B]

FRAME	alloy 6061 700c
-------	-----------------

FORK	hi-ten
------	--------

CHAINWHEEL	Lasco (38 teeth)
------------	------------------

REAR DERAILLEUR / SHIFTERS	Shimano Altus / Revoshift, 8 speed
----------------------------	------------------------------------

CASSETTE	Shimano CS-HG31-8, 8 speed (11-34 teeth)
----------	--

BRAKES	Promax V
--------	----------

TIRES	CST Sensamo Speed 700 x 35c
-------	-----------------------------

COLOR B	Mc Laren Silver
---------	-----------------





GLORIA [A]

FRAME	alloy 6061 700c (L)	CASSETTE	Shimano CS-HG31-8, 8 speed (11-34 teeth)
FORK	hi-ten	BRAKES	Promax V
CHAINWHEEL	Lasco (38 teeth)	TIRES	CST Sensamo Speed 700 x 35c
REAR DERAILLEUR / SHIFTERS	Shimano Altus / Revoshift, 8 speed	COLOR A	Cappuccino



GLORIA [B]

FRAME	alloy 6061 700c (L)*	CASSETTE	Shimano CS-HG31-8, 8 speed (11-34 teeth)
FORK	hi-ten	BRAKES	Promax V
CHAINWHEEL	Lasco (38 teeth)	TIRES	CST Sensamo Speed 700 x 35c
REAR DERAILLEUR / SHIFTERS	Shimano Altus / Revoshift, 8 speed	COLOR B	Mystere Blue



## RAPID

FRAME	alloy 6061 26"	CASSETTE	Shimano CS-HG200-8, 8 speed (12-32 teeth)
FORK	RST Capa T 26 (80 mm travel)	BRAKES	Tektro V
CHAINWHEEL	Prowheel (42-34-24 teeth)	TIRES	CST Classic Zeppelin 26" x 2.00"
REAR DERAILLEUR / SHIFTERS	Shimano Altus, 24 speed	COLOR	Matte Temple Grey / Lime



## VICTORIA

FRAME	alloy 6061 26" (L)	CASSETTE	Shimano CS-HG200-8, 8 speed (12-32 teeth)
FORK	RST Capa T 26 (80 mm travel)	BRAKES	Tektro V
CHAINWHEEL	Prowheel (42-34-24 teeth)	TIRES	CST Classic Zeppelin 26" x 2.00"
REAR DERAILLEUR / SHIFTERS	Shimano TY700 / Altus, 24 speed	COLOR	Phantom Black / Tropical Orange





SIMPLEX [A]

FRAME	alloy 7005 folding	CASSETTE	Shimano CS-HG200-8, 8 speed (11-32 teeth)
FORK	hi-ten	BRAKES	Tektro V
CHAINWHEEL	Prowheel (52 teeth)	TIRES	Kenda K-193 20" x 1.50"
REAR DERAILLEUR / SHIFTERS	Shimano Altus / Revoshift, 8 speed	COLOR A	Mc Laren Silver / Racing Red

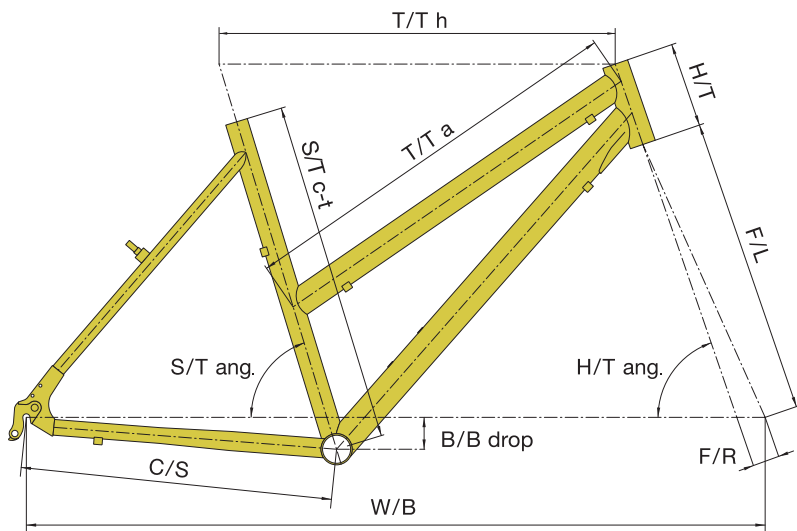
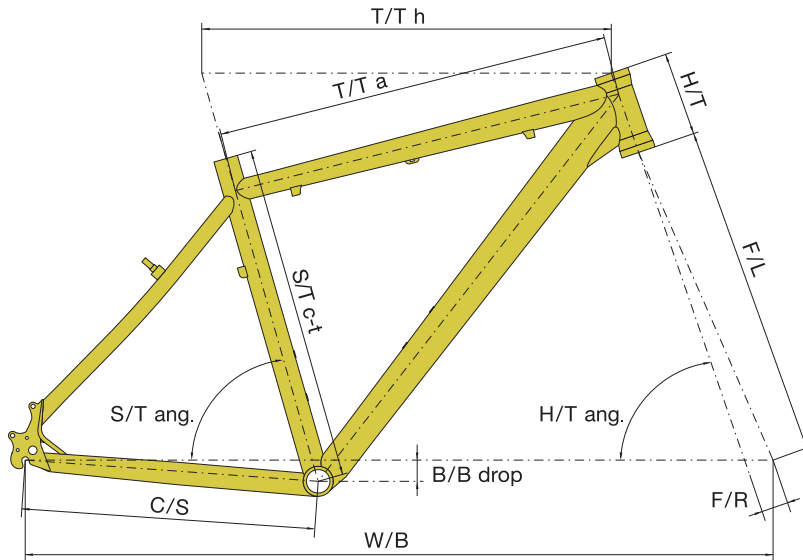


SIMPLEX [B]

FRAME	alloy 7005 folding	CASSETTE	Shimano CS-HG200-8, 8 speed (11-32 teeth)
FORK	hi-ten	BRAKES	Tektro V
CHAINWHEEL	Prowheel (52 teeth)	TIRES	Kenda K-193 20" x 1.50"
REAR DERAILLEUR / SHIFTERS	Shimano Altus / Revoshift, 8 speed	COLOR B	Matte Temple Grey / Neon Yellow

MODEL	VOYAGE	GLORIA	RAPID	VICTORIA	SIMPLEX
SIZE	18", 20", 22"	17", 19"	17", 19", 21"	16", 18"	M
FRAME	alloy 6061 700c	alloy 6061 700c (L)	alloy 6061 26"	alloy 6061 26" (L)	alloy 7005 folding
FRONT FORK	hi-ten	hi-ten	RST Capa T (80 mm)	RST Capa T (80 mm)	hi-ten
HEAD PARTS	VP COMP 1-1/8"	VP COMP 1-1/8"	PRESTINE Integrated 1-1/8"	PRESTINE Integrated 1-1/8"	NECO Integrated 1"
CHAINWHEEL	LASCO 38 teeth 170 mm cranks	LASCO 38 teeth 170 mm cranks	PROWHEEL 42-34-24 teeth 170 / 175 mm cranks	PROWHEEL 42-34-24 teeth 170 mm cranks	PROWHEEL 52 teeth 170 mm cranks
B.B. PARTS	VP comp cartridge	VP comp cartridge	VP COMP cartridge	VP COMP cartridge	NECO cartridge
FRONT DERAILEUR	-	-	SHIMANO TY700 (31.8)	SHIMANO TY700 (31.8)	-
REAR DERAILEUR	SHIMANO Altus	SHIMANO Altus	SHIMANO Altus	SHIMANO TY700	SHIMANO Altus
SHIFTERS	SHIMANO Revoshift (8)	SHIMANO Revoshift (8)	SHIMANO Altus (24)	SHIMANO Altus (24)	SHIMANO Revoshift (8)
FREEWHEEL	SHIMANO HG-31 11-34 (8)	SHIMANO HG-31 11-34 (8)	SHIMANO HG200-8 12-32 (8)	SHIMANO HG200-8 12-32 (8)	SHIMANO HG-200-8 11-32 (8)
CHAIN	KMC 8.1	KMC 8.1	KMC Z8.1	KMC Z8.1	TAYA TB-65
HUBS	QUANDO 32 holes	QUANDO 32 holes	QUANDO 32 holes	QUANDO 32 holes	QUANDO 28 holes
BRAKES	PROMAX V	PROMAX V	TEKTRO V	TEKTRO V	TEKTRO V
BRAKE LEVERS	PROMAX alloy	PROMAX alloy	SHIMANO Altus	SHIMANO Altus	TEKTRO alloy
RIMS	aloy 32 holes	aloy 32 holes	AUTHOR Argon 32 holes	AUTHOR Argon 32 holes	alloy 28 holes
SPOKES	steel 2.0 mm	steel 2.0 mm	steel	steel	black steel 2.0 mm
TIRES	CST Sensamo Speed 700 x 35c	CST Sensamo Speed 700 x 35c	CST Classic Zeppelin 26" x 2.00"	CST Classic Zeppelin 26" x 2.00"	KENDA K-193 20" x 1.50"
PEDALS	WELLGO Non Slip alloy	WELLGO Non Slip alloy	resin	resin	resin folding
HANDLEBAR	alloy 30 mm 610 mm	alloy 30 mm 610 mm	steel 42 mm 620 / 640 mm	steel 42 mm 620 mm	alloy
GRIPS	vinyl	vinyl	AUTHOR high density foam	AUTHOR high density foam	AUTHOR ErgoGrip
STEM	alloy	alloy	ZOOM adjustable	ZOOM adjustable	alloy telescopic
SEAT POST	alloy (27.2)	alloy (27.2)	ZOOM suspension (27.2)	ZOOM suspension (27.2)	alloy (33.9)
SEAT CLAMP	alloy (31.8)	alloy (31.8)	AUTHOR (31.8)	AUTHOR (31.8)	alloy (40.7)
SADDLE	AUTHOR King Sofa	AUTHOR Queen Sofa	AUTHOR King Sofa	AUTHOR Queen Sofa	AUTHOR Courier
SPEED	8	8	24	24	8
WEIGHT	12.9 kg / 20"	13.2 kg / 17"	15.4 kg / 19"	15.4 kg / 16"	12.6 kg / M





	S/T c-t	T/T h	T/T a	H/T	C/S	W/B	S/T ang.	H/T ang.	F/L	B/B drop	B/B width	F/R
<b>GLORIA*</b>												
17"	432	536	519	160	459	1089	75.0	69.0	423	50	68	45
19"	483	568	550	160	459	1121	75.0	69.0	432	50	68	45
<b>VOYAGE*</b>												
18"	457	550	532	130	445	1068	75.0	71.0	423	45	68	45
20"	508	555	542	130	445	1072	75.0	71.0	423	45	68	45
22"	559	559	551	150	445	1078	75.0	71.0	423	45	68	45
<b>RAPID</b>												
17"	432	550	541	150	430	1049	75	71	460	45	68	38
19"	483	560	545	160	430	1060	75	71	460	45	68	38
21"	533	570	552	170	430	1070	75	71	460	45	68	38
<b>VICTORIA</b>												
16"	406	545	533	145	430	1053	75	70	460	50	68	38
18"	457	560	548	155	430	1074	75	70	460	50	68	38

\* -1 1/8" head set PF

**GEOMETRY TABLE LEGEND:**

- S/T c-t - seat tube (center-top)
- T/T h - top tube horizontal
- T/T a - top tube actual
- H/T - head tube
- C/S - chain stay
- W/B - wheel base
- S/T ang. - seat tube angle
- H/T ang. - head tube angle
- F/L - fork length
- B/B drop - bottom bracket drop
- B/B width - bottom bracket width
- F/R - fork rake

Recommended frame size to the body height for each model you can find on our web site [www.author.eu](http://www.author.eu)



# JUNIOR





## AUTHOR KIDS BIKES

We are coming with a new model ULTRASONIC 27, which follows the age of the current kids from so called baby boom. This model is already equipped by suspension front fork and also on 27.5" wheels and build on Respect frame with new drop out included Post Mount (PM) brake calliper interface prepared for 6" rotor in between the chain and seat stay. We will also newly use rear derailleur Inner Cable Routing (ICR) through down tube and drive train 1x11 by Shimano SLX level.

Current 26" models ULTRASONIC 26, SONIC 26 and A-MATRIX 26 are for MY19 ensembled by CHAMPION 26 a A-MATRIX 26D, which are extending this size for V-brake or less expensive disc brake model. All those 5 bikes are build on 26" wheel set with low 13.5" frame and so young sporty riders may enjoy "big" wheels asap. With a new and sporty but in the same time playful geometry are those models just perfect instrument for their racing season but in the same time just perfect bikes for "family" riding style.

24" models A-MATRIX, A-MATRIX SL and MATRIX kept having lowered frames (12.5" frame size).

MY19 new model A-MATRIX SL replaces this year model A-MATRIX ASL. We use again very smart, easy and intuitive drive train 1x8 equipped by chainwheel with 32t., double chainguard, 152 mm cranks and 11-34t. cassette. Color wise made as unisex bike.

Another new model RECORD 16 follow very successful MY18 model RECORD 20, where the main issue is the weight concern. Frame and fork made of alloy, A-head set light stem, 32t. alloy cranks, and a low rolling resistance tires KENDA offer very fast and lightweight bike for smallest bike riders to give them the best possible first riding experience. Color wise again made as unisex.



**SHIMANO**  
1x11



ULTRASONIC 27.5

FRAME	triple butted hydroformed alloy 6061, 14" and 16"	CASSETTE	Shimano CS-M7000-11, 11 speed (11-46 teeth)
FORK	RST F1RST 27.5 (80 mm travel)	BRAKES	Promax (6"), hydraulic
CHAINWHEEL	Suntour Zeron (32 teeth)	TIRES	CST B-Trail Kevlar 27.5" x 2.25"
REAR DERAILLEUR / SHIFTERS	Shimano SLX, 11 speed	COLOR	Mc Laren Silver / Racing Red

**SRAM**  
1x11



ULTRASONIC 26

FRAME	triple butted hydroformed alloy 6061 13.5"	CASSETTE	SRAM CS-PG 1130-A1, 11 speed (11-42 teeth)
FORK	alloy 6061 26"	BRAKES	Promax (6"), hydraulic
CHAINWHEEL	Suntour Zeron (32 teeth)	TIRES	CST B-Trail Kevlar 26" x 2.10"
REAR DERAILLEUR / SHIFTERS	SRAM NX-1, 11 speed	COLOR	Mc Laren Silver / Racing Red



**SHIMANO**  
1x10



### CHAMPION 26

FRAME	triple butted hydroformed alloy 6061 13.5"	CASSETTE	Shimano CS-HG500-10, 10 speed (11-42 teeth)
FORK	alloy 6061 26"	BRAKES	Tektro V
CHAINWHEEL	Suntour Zeron (32 teeth)	TIRES	CST B-Trail Kevlar 26" x 2.10"
REAR DERAILLEUR / SHIFTERS	Shimano Deore, 10 speed	COLOR	Extreme White / Nascar Blue



### SONIC 26

FRAME	triple butted hydroformed alloy 6061 13.5"	CASSETTE	Shimano CS-HG200-8, 8 speed (12-32 teeth)
FORK	RST Gila TnL 26 (80 mm travel)	BRAKES	Tektro V
CHAINWHEEL	Suntour XCT-JR (42-32-22 teeth)	TIRES	CST B-Trail Kevlar 26" x 2.10"
REAR DERAILLEUR / SHIFTERS	Shimano Acera, 24 speed	COLOR	Matte Temple Grey / Neon Yellow

SHIMANO  
1x9



A-MATRIX 26D [A]

FRAME alloy 6061 13.5"

FORK RST Capa T 26 (80 mm travel)

CHAINWHEEL Prowheel (32 teeth)

REAR DERAILLEUR / SHIFTERS Shimano Altus, 9 speed

CASSETTE Shimano CS-HG200-9, 9 speed (11-36 teeth)

BRAKES Tektro (6"), mechanical

TIRES Author Speed Master 26" x 2.00"

COLOR A Kawa Green / Italien Sky / Phantom Black

SHIMANO  
1x9



A-MATRIX 26D [B]

FRAME alloy 6061 13.5"

FORK RST Capa T 26 (80 mm travel)

CHAINWHEEL Prowheel (32 teeth)

REAR DERAILLEUR / SHIFTERS Shimano Altus, 9 speed

CASSETTE Shimano CS-HG200-9, 9 speed (11-36 teeth)

BRAKES Tektro (6"), mechanical

TIRES Author Speed Master 26" x 2.00"

COLOR B Author Red / Arctic Blue / Phantom Black





A-MATRIX 26 [A]

FRAME	alloy 6061 13.5"	SPROCKET	Shimano MF-TZ500-6, 6 speed (14-28 teeth)
FORK	RST Capa T 26 (80 mm travel)	BRAKES	Tektro V
CHAINWHEEL	Prowheel (42-34-24 teeth)	TIRES	Author Speed Master 26" x 2.00"
REAR DERAILLEUR / SHIFTERS	Shimano TY21 / Revoshift, 18 speed	COLOR A	Matte Temple Grey / Neon Yellow



A-MATRIX 26 [B]

FRAME	alloy 6061 13.5"	SPROCKET	Shimano MF-TZ500-6, 6 speed (14-28 teeth)
FORK	RST Capa T 26 (80 mm travel)	BRAKES	Tektro V
CHAINWHEEL	Prowheel (42-34-24 teeth)	TIRES	Author Speed Master 26" x 2.00"
REAR DERAILLEUR / SHIFTERS	Shimano TY21 / Revoshift, 18 speed	COLOR B	Matte Nascar Blue / California Orange



A-MATRIX 26 [C]

FRAME	alloy 6061 13.5"	SPROCKET	Shimano MF-TZ500-6, 6 speed (14-28 teeth)
FORK	RST Capa T 26 (80 mm travel)	BRAKES	Tektro V
CHAINWHEEL	Prowheel (42-34-24 teeth)	TIRES	Author Speed Master 26" x 2.00"
REAR DERAILLEUR / SHIFTERS	Shimano TY21 / Revoshift, 18 speed	COLOR C	Matte Ritual Silver / Suzy Pink



A-MATRIX 26 [D]

FRAME	alloy 6061 13.5"	SPROCKET	Shimano MF-TZ500-6, 6 speed (14-28 teeth)
FORK	RST Capa T 26 (80 mm travel)	BRAKES	Tektro V
CHAINWHEEL	Prowheel (42-34-24 teeth)	TIRES	Author Speed Master 26" x 2.00"
REAR DERAILLEUR / SHIFTERS	Shimano TY21 / Revoshift, 18 speed	COLOR D	Matte Phantom Black / Neon Orange



SHIMANO  
1x9

## ULTRASONIC 24

FRAME	triple butted hydroformed alloy 6061 12"	CASSETTE	Shimano CS-HG400-9, 9 speed (11-36 teeth)
FORK	alloy 24"	BRAKES	Tektro V
CHAINWHEEL	Lasco XCD-S (32 teeth)	TIRES	Kenda Small Block Eight Kevlar 24" x 1.95"
REAR DERAILEUR / SHIFTERS	Shimano Alivio, 9 speed	COLOR	Mc Laren Silver / Racing Red

ULTRASONIC 24



COLLECTION 2015





MIRAGE 24 [A]

FRAME	triple butted hydroformed alloy 6061 12"
FORK	RST Capa T 24 (50 mm travel)
CHAINWHEEL	Suntour XCT-JR (42-32-22 teeth)
REAR DERAILLEUR / SHIFTERS	Shimano Acera/ Altus, 24 speed

CASSETTE	Shimano CS-HG200-8, 8 speed (12-32 teeth)
BRAKES	Tektro (5"), mechanical
TIRES	Kenda Small Block Eight Kevlar 24" x 1.95"
COLOR A	Matte Treasure Silver / Racing Red / Phantom Black



MIRAGE 24 [B]

FRAME	triple butted hydroformed alloy 6061 12"
FORK	RST Capa T 24 (50 mm travel)
CHAINWHEEL	Suntour XCT-JR (42-32-22 teeth)
REAR DERAILLEUR / SHIFTERS	Shimano Acera/ Altus, 24 speed

CASSETTE	Shimano CS-HG200-8, 8 speed (12-32 teeth)
BRAKES	Tektro (5"), mechanical
TIRES	Kenda Small Block Eight Kevlar 24" x 1.95"
COLOR B	Kawa Green / Italien Sky / Phantom Black





A-MATRIX SL 24 [A]

FRAME	alloy 6061 12.5" (ASL)	CASSETTE	Shimano CS-HG31, 8 speed (11-34 teeth)
FORK	RST Capa T 24 (50 mm travel)	BRAKES	Tektro V
CHAINWHEEL	Prowheel (32 teeth)	TIRES	24" x 1.75"
REAR DERAILLEUR / SHIFTERS	Shimano TX800 / Revoshift, 8 speed	COLOR A	Temple Grey / Italien Sky



A-MATRIX SL 24 [B]

FRAME	alloy 6061 12.5" (ASL)	CASSETTE	Shimano CS-HG31, 8 speed (11-34 teeth)
FORK	RST Capa T 24 (50 mm travel)	BRAKES	Tektro V
CHAINWHEEL	Prowheel (32 teeth)	TIRES	24" x 1.75"
REAR DERAILLEUR / SHIFTERS	Shimano TX800 / Revoshift, 8 speed	COLOR B	Extreme White / Racing Red / Neon Orange



A-MATRIX 24 [A]

FRAME	alloy 6061 12.5"	SPROCKET	Shimano MF-TZ500-6, 6 speed (14-28 teeth)
FORK	RST Capa T 24 (50 mm travel)	BRAKES	Tektro V
CHAINWHEEL	Prowheel (42-34-24 teeth)	TIRES	24" x 1.75"
REAR DERAILLEUR / SHIFTERS	Shimano TY21 / Revoshift, 18 speed	COLOR A	Matte Treasure Silver / Racing Red



A-MATRIX 24 [B]

FRAME	alloy 6061 12.5"	SPROCKET	Shimano MF-TZ500-6, 6 speed (14-28 teeth)
FORK	RST Capa T 24 (50 mm travel)	BRAKES	Tektro V
CHAINWHEEL	Prowheel (42-34-24 teeth)	TIRES	24" x 1.75"
REAR DERAILLEUR / SHIFTERS	Shimano TY21 / Revoshift, 18 speed	COLOR B	Matte Phantom Black / Neon Green / Neon Yellow





MATRIX 24 [A]

FRAME	hi-ten 12.5"	SPROCKET	Shimano MF-TZ500-6, 6 speed (14-28 teeth)
FORK	Zoom (40 mm travel)	BRAKES	Tektro V
CHAINWHEEL	Prowheel (42-34-24 teeth)	TIRES	24" x 1.75"
REAR DERAILLEUR / SHIFTERS	Shimano TY21 / Revoshift, 18 speed	COLOR A	Kawa Green / Italien Sky / Phantom Black



MATRIX 24 [B]

FRAME	hi-ten 12.5"	SPROCKET	Shimano MF-TZ500-6, 6 speed (14-28 teeth)
FORK	Zoom (40 mm travel)	BRAKES	Tektro V
CHAINWHEEL	Prowheel (42-34-24 teeth)	TIRES	24" x 1.75"
REAR DERAILLEUR / SHIFTERS	Shimano TY21 / Revoshift, 18 speed	COLOR B	Author Red / Arctic Blue / Phantom Black



**ULTIMA 24 [A]**

<b>FRAME</b>	alloy 6061 12.5"	<b>CASSETTE</b>	Shimano CS-HG31, 8 speed (11-34 teeth)
<b>FORK</b>	hi-ten 24"	<b>BRAKES</b>	Tektro V
<b>CHAINWHEEL</b>	Prowheel (32 teeth)	<b>TIRES</b>	24" x 1.50"
<b>REAR DERAILLEUR / SHIFTERS</b>	Shimano TX800 / Revoshift, 8 speed	<b>COLOR A</b>	Extreme White / Arctic Blue



**ULTIMA 24 [B]**

<b>FRAME</b>	alloy 6061 12.5"	<b>CASSETTE</b>	Shimano CS-HG31, 8 speed (11-34 teeth)
<b>FORK</b>	hi-ten 24"	<b>BRAKES</b>	Tektro V
<b>CHAINWHEEL</b>	Prowheel (32 teeth)	<b>TIRES</b>	24" x 1.50"
<b>REAR DERAILLEUR / SHIFTERS</b>	Shimano TX800 / Revoshift, 8 speed	<b>COLOR B</b>	Ritual Silver / Suzy Pink





## SMART 20

FRAME	alloy 6061 10"	SPROCKET	Shimano MF-TZ500-6, 6 speed (14-28 teeth)
FORK	RST Capa T 20 (50 mm travel)	BRAKES	Tektro V
CHAINWHEEL	Prowheel (36 teeth)	TIRES	20" x 1.75"
REAR DERAILLEUR / SHIFTERS	Shimano TY21 / Revoshift, 6 speed	COLOR	Phantom Black / Neon Green



## RECORD 20

FRAME	alloy 6061 10"	CASSETTE	Shimano CS-HG200-7, 7 speed (12-32 teeth)
FORK	alloy 20"	BRAKES	Tektro V
CHAINWHEEL	Prowheel (36 teeth)	TIRES	Kenda Small Block Eight Kevlar 20" x 1.75"
REAR DERAILLEUR / SHIFTERS	Shimano TY300 / Revoshift, 7 speed	COLOR	Author Red



COSMIC 20 [A]

FRAME	alloy 6061 10"	SPROCKET	Shimano MF-TZ500-6, 6 speed (14-28 teeth)
FORK	hi-ten 20"	BRAKES	Tektro V
CHAINWHEEL	Prowheel (36 teeth)	TIRES	20" x 1.75"
REAR DERAILEUR / SHIFTERS	Shimano TY21 / Revoshift, 6 speed	COLOR A	Matte Phantom Black / Neon Orange



COSMIC 20 [B]

FRAME	alloy 6061 10"	SPROCKET	Shimano MF-TZ500-6, 6 speed (14-28 teeth)
FORK	hi-ten 20"	BRAKES	Tektro V
CHAINWHEEL	Prowheel (36 teeth)	TIRES	20" x 1.75"
REAR DERAILEUR / SHIFTERS	Shimano TY21 / Revoshift, 6 speed	COLOR B	Temple Grey / Neon Green





COSMIC 20 [C]

FRAME	alloy 6061 10"	SPROCKET	Shimano MF-TZ500-6, 6 speed (14-28 teeth)
FORK	hi-ten 20"	BRAKES	Tektro V
CHAINWHEEL	Prowheel (36 teeth)	TIRES	20" x 1.75"
REAR DERAILLEUR / SHIFTERS	Shimano TY21 / Revoshift, 6 speed	COLOR C	Ritual Silver / Suzy Pink



MELODY 20

FRAME	alloy 6061 10"	SPROCKET	Shimano MF-TZ500-6, 6 speed (14-28 teeth)
FORK	hi-ten 20"	BRAKES	Tektro V
CHAINWHEEL	Prowheel (36 teeth)	TIRES	20" x 1.50"
REAR DERAILLEUR / SHIFTERS	Shimano TY21 / Revoshift, 6 speed	COLOR	Jeweled White / Fresh Lila



ENERGY 20 [A]

FRAME	hi-ten 10"	SPROCKET	Shimano MF-TZ500-6, 6 speed (14-28 teeth)
FORK	hi-ten 20"	BRAKES	Tektro V
CHAINWHEEL	Prowheel (36 teeth)	TIRES	20" x 1.75"
REAR DERAILLEUR / SHIFTERS	Shimano TY21 / Revoshift, 6 speed	COLOR A	Nascar Blue / Neon Orange



ENERGY 20 [B]

FRAME	hi-ten 10"	SPROCKET	Shimano MF-TZ500-6, 6 speed (14-28 teeth)
FORK	hi-ten 20"	BRAKES	Tektro V
CHAINWHEEL	Prowheel (36 teeth)	TIRES	20" x 1.75"
REAR DERAILLEUR / SHIFTERS	Shimano TY21 / Revoshift, 6 speed	COLOR B	Mc Laren Silver / Racing Red





## RECORD 16

FRAME	alloy 6061 9"
FORK	alloy 16"
CHAINWHEEL	Lasco (32 teeth)
SPROCKET	1 speed (16 teeth)

BRAKES	Tektro V / coasterhub
TIRES	Kenda Small Block Eight 16" x 1.50"
COLOR	Kawa Green / Nascar Blue



## KING KONG 16

FRAME	alloy 6061 9"
FORK	alloy 16"
CHAINWHEEL	Samox (32 teeth)
SPROCKET	1 speed (18 teeth)

BRAKES	Tektro V / coasterhub
TIRES	16" x 2.25"
COLOR	Matte Black / Neon Yellow



STYLO 16 [A]

FRAME	alloy 6061 9"	BRAKES	Tektro V / coasterhub
FORK	hi-ten 16"	TIRES	16" x 1.75"
CHAINWHEEL	Prowheel (32 teeth)	COLOR A	Matte Temple Grey / Neon Orange
SPROCKET	1 speed (16 teeth)		



STYLO 16 [B]

FRAME	alloy 6061 9"	BRAKES	Tektro V / coasterhub
FORK	hi-ten 16"	TIRES	16" x 1.75"
CHAINWHEEL	Prowheel (32 teeth)	COLOR B	Mc Laren Silver / Racing Red
SPROCKET	1 speed (16 teeth)		





BELLO 16 [A]

FRAME	alloy 6061 9"
FORK	hi-ten 16"
CHAINWHEEL	Prowheel (32 teeth)
SPROCKET	1 speed (16 teeth)

BRAKES	Tektro V / coasterhub
TIRES	16" x 1.50"
COLOR A	Jeweled White / Fresh Lila



BELLO 16 [B]

FRAME	alloy 6061 9"
FORK	hi-ten 16"
CHAINWHEEL	Prowheel (32 teeth)
SPROCKET	1 speed (16 teeth)

BRAKES	Tektro V / coasterhub
TIRES	16" x 1.50"
COLOR B	Temple Grey / Menthol Green



ORBIT 16 [A]

FRAME	hi-ten 9"	BRAKES	Tektro V / coasterhub
FORK	hi-ten 16"	TIRES	16" x 1.75"
CHAINWHEEL	Prowheel (32 teeth)	COLOR A	Extreme White / Arctic Blue
SPROCKET	1 speed (16 teeth)		



ORBIT 16 [B]

FRAME	hi-ten 9"	BRAKES	Tektro V / coasterhub
FORK	hi-ten 16"	TIRES	16" x 1.75"
CHAINWHEEL	Prowheel (32 teeth)	COLOR B	Author Red / Kawa Green
SPROCKET	1 speed (16 teeth)		

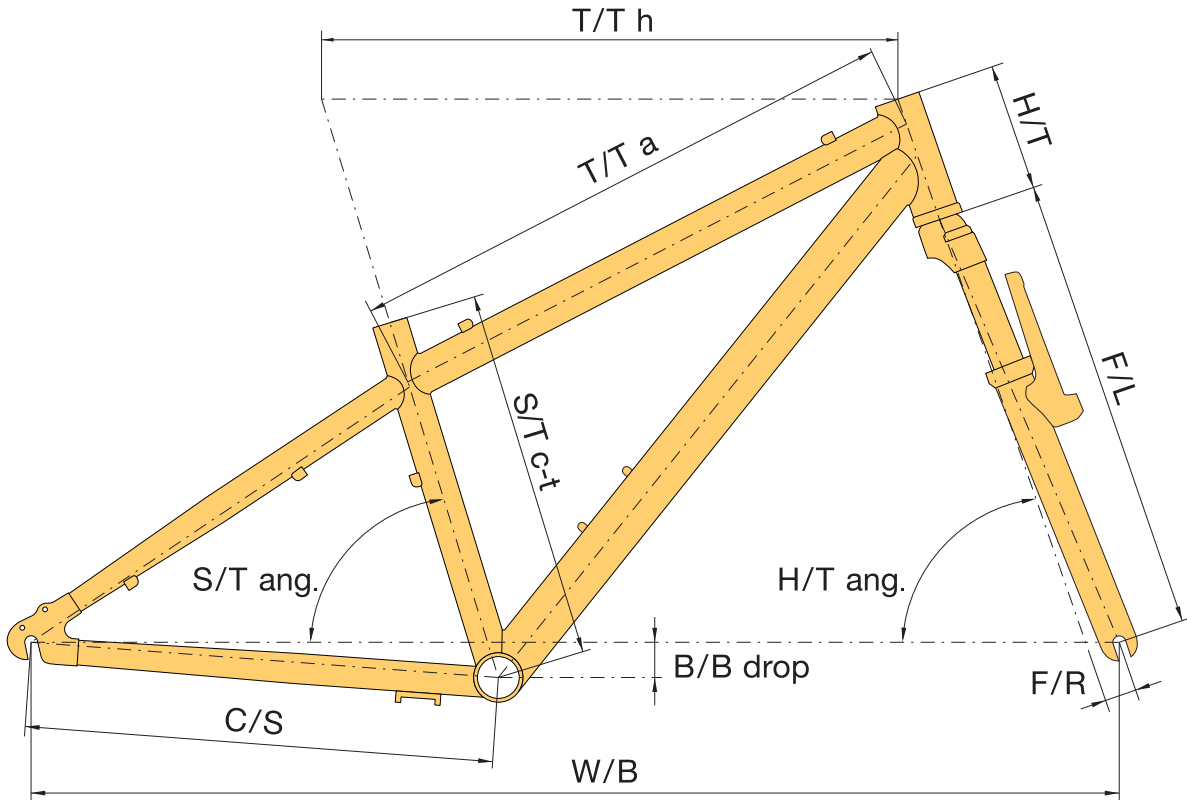


MODEL	ULTRASONIC 27.5	ULTRASONIC 26	CHAMPION 26	SONIC 26	A-MATRIX 26D	A-MATRIX 26	ULTRASONIC 24
SIZE	14", 16"	13.5"	13.5"	13.5"	13.5"	13.5"	12"
FRAME	triple butted hydroformed alloy 6061 26"	triple butted hydroformed alloy 6061 26"	triple butted hydroformed alloy 6061 26"	triple butted hydroformed alloy 6061 26"	alloy 6061 26"	alloy 6061 26"	triple butted hydroformed alloy 6061 24"
FRONT FORK	RST F1RST 27 air, lock out (80 mm)	alloy 6061 26"	alloy 6061 26"	RST Gila 26 TnL lock out (80 mm)	RST Capa T 26 (80 mm)	RST Capa T 26 (80 mm)	alloy 6061 24"
HEAD PARTS	AUTHOR Integrated 1.5" tapered	AUTHOR Integrated 1.5" tapered	AUTHOR Integrated 1.5" tapered	AUTHOR Integrated 1.5" tapered	PRESTINE 1-1/8"	PRESTINE 1-1/8"	AUTHOR Integrated 1.5" tapered
CHAINWHEEL	SUNTOUR Zeron 32 teeth 160 / 170 mm cranks	SUNTOUR Zeron 32 teeth 160 mm cranks	SUNTOUR Zeron 32 teeth 160 mm cranks	SUNTOUR XCT-JR 42-32-22 teeth 160 mm cranks	PROWHEEL 32 teeth 160 mm cranks	PROWHEEL 42-34-24 teeth 152 mm cranks	LASCO 32 teeth 150 mm cranks
B.B. PARTS	SUNTOUR BB unit	SUNTOUR BB unit	SUNTOUR BB unit	SUNTOUR cartridge	VP COMP	VP COMP	VP COMP cartridge
FRONT DERAILLEUR	-	-	-	SHIMANO TY700 (34.9)	-	SHIMANO TY500 (31.8)	-
REAR DERAILLEUR	SHIMANO SLX	SRAM NX-1	SHIMANO Deore	SHIMANO Acera	SHIMANO Altus	SHIMANO TY21	SHIMANO Alivio
SHIFTERS	SHIMANO SLX (11)	SRAM NX-1 (11)	SHIMANO Deore (10)	SHIMANO Acera (24)	SHIMANO Altus (9)	SHIMANO Revoshift (18)	SHIMANO Alivio (9)
FREEWHEEL	SHIMANO M7000-11 11-46 (11)	SRAM PG1130 11-42 (11)	SHIMANO HG500-10 11-42 (10)	SHIMANO HG200-8 12-32 (8)	SHIMANO HG200-9 11-36 (9)	SHIMANO MF-TZ500 14-28 (6)	SHIMANO HG400-9 11-36 (9)
CHAIN	SHIMANO HG601	SRAM CN-1100	KMC X10	KMC 8.1	KMC Z9	KMC Z6	KMC Z9
HUBS	AUTHOR Xenon 32 holes	AUTHOR Xenon 32 holes	QUANDO 32 holes	QUANDO 32 holes	QUANDO Disc 32 holes	QUANDO 32 holes	QUANDO 24 holes
BRAKES	PROMAX disc hydraulic (6" rotors)	PROMAX disc hydraulic (6" rotors)	TEKTRO V	TEKTRO V	TEKTRO disc mechanical (6" rotors)	TEKTRO V	TEKTRO V
BRAKE LEVERS	PROMAX	PROMAX	TEKTRO alloy	TEKTRO alloy	TEKTRO plastic / alloy	TEKTRO plastic / alloy	TEKTRO alloy
RIMS	AUTHOR Xenon Pro 27.5 32 holes	AUTHOR Argon 26 32 holes	AUTHOR Argon 26 32 holes	AUTHOR Argon 26 32 holes	alloy 32 holes	alloy 32 holes	alloy 24 holes
SPOKES	black stainless steel 2.0 mm	black stainless steel 2.0 mm	black stainless steel 2.0 mm	black stainless steel 2.0 mm	black steel	black steel	black stainless steel 2.0 mm
TIRES	CST B-Trail kevlar 27.5" x 2.25"	CST B-Trail kevlar 26" x 2.10"	CST B-Trail kevlar 26" x 2.10"	CST B-Trail kevlar 26" x 2.10"	AUTHOR Speed Master 26" x 2.00"	AUTHOR Speed Master 26" x 2.00"	KENDA Small Block Eight kevlar 24" x 1.95"
PEDALS	-	alloy	resin	resin	resin	resin	alloy
HANDLEBAR	AUTHOR Flat Top bar 9" 620 / 640 mm	AUTHOR Flat Top bar 0 mm 600 mm	AUTHOR Flat Top bar 0 mm 600 mm	AUTHOR Flat Top bar 0 mm 600 mm	steel 20 mm 620 mm	steel 20 mm 620 mm	AUTHOR Flat Top bar 0 mm 600 mm
GRIPS	AUTHOR high density foam	AUTHOR high density foam	AUTHOR high density foam	AUTHOR high density foam	AUTHOR kratton rubber	AUTHOR kratton rubber	AUTHOR kratton rubber
STEM	AUTHOR alloy	AUTHOR alloy	AUTHOR alloy	AUTHOR alloy	alloy	alloy	AUTHOR alloy
SEAT POST	AUTHOR alloy (31.6)	AUTHOR alloy (31.6)	AUTHOR alloy (31.6)	AUTHOR alloy (31.6)	alloy (27.2)	alloy (27.2)	AUTHOR alloy (31.6)
SEAT CLAMP	AUTHOR (34.9)	AUTHOR (34.9)	AUTHOR (34.9)	AUTHOR (34.9)	AUTHOR (31.8)	AUTHOR (31.8)	AUTHOR (34.9)
SADDLE	AUTHOR Champion CR	AUTHOR Champion CR	AUTHOR Champion	AUTHOR Champion	AUTHOR	AUTHOR	AUTHOR Champion CR
SPEED	11	11	10	24	9	18	9
WEIGHT	11.8 kg / 14"	10.5 kg / 13.5"	10.1 kg / 13.5"	12.5 kg / 13.5"	12.9 kg / 13.5"	13.0 kg / 13.5"	9.8 kg / 12"

MODEL	MIRAGE 24	A-MATRIX 24	A-MATRIX SL 24	MATRIX 24	ULTIMA 24	RECORD 20	SMART 20
SIZE	12"	12.5"	12.5"	12.5"	12.5"	10"	10"
FRAME	triple butted hydroformed alloy 6061 24"	alloy 6061 24"	alloy 6061 24" (ASL)	hi-ten 24"	alloy 6061 24" (L)	alloy 6061 20"	alloy 6061 20"
FRONT FORK	RST Capa T 24 (50 mm)	RST Capa T 24 (50 mm)	RST Capa T 24 (50 mm)	ZOOM (40 mm)	hi-ten	alloy	RST Capa T 20 (50 mm)
HEAD PARTS	AUTHOR Integrated 1.5" tapered	PRESTINE 1-1/8"	PRESTINE 1-1/8"	PRESTINE 1-1/8"	PRESTINE 1-1/8"	PRESTINE 1-1/8"	PRESTINE 1-1/8"
CHAINWHEEL	SUNTOUR XCT-JR 42-32-22 teeth 152 mm cranks	PROWHEEL 42-34-24 teeth 152 mm cranks	PROWHEEL 32 teeth 152 mm cranks	PROWHEEL 42-34-24 teeth 152 mm cranks	PROWHEEL 32 teeth 152 mm cranks	PROWHEEL 36 teeth 127 mm cranks	PROWHEEL 36 teeth 127 mm cranks
B.B. PARTS	SUNTOUR cartridge	VP COMP	VP COMP	VP COMP	VP COMP	VP COMP	VP COMP
FRONT DERAILLEUR	SHIMANO TY700 (34.9)	SHIMANO TY500 (31.8)	-	SHIMANO TY500 (28.6)	-	-	-
REAR DERAILLEUR	SHIMANO Acera	SHIMANO TY21	SHIMANO TX800	SHIMANO TY21	SHIMANO TX800	SHIMANO TY300	SHIMANO TY21
SHIFTERS	SHIMANO Altus (24)	SHIMANO Revoshift (18)	SHIMANO Revoshift (8)	SHIMANO Revoshift (18)	SHIMANO Revoshift (8)	SHIMANO Revoshift (7)	SHIMANO Revoshift (6)
FREEWHEEL	SHIMANO HG200-8 12-32 (8)	SHIMANO MF-TZ500 14-28 (6)	SHIMANO HG31-8 11-34 (8)	SHIMANO MF-TZ500 14-28 (6)	SHIMANO HG31-8 11-34 (8)	SHIMANO HG200-7 12-32 (7)	SHIMANO MF-TZ500 14-28 (6)
CHAIN	KMC 8.1	KMC Z6	KMC 8.1	KMC Z6	KMC 8.1	KMC Z7	KMC Z6
HUBS	QUANDO Disc 32 holes	QUANDO 32 holes	QUANDO 32 holes	steel 32 holes	QUANDO 32 holes	QUANDO 20 holes	QUANDO 32 holes
BRAKES	TEKTRO disc mechanical (5" rotors)	TEKTRO V	TEKTRO V	TEKTRO V	TEKTRO V	TEKTRO V	TEKTRO V
BRAKE LEVERS	TEKTRO alloy	TEKTRO plastic / alloy	TEKTRO plastic / alloy	TEKTRO plastic / alloy	TEKTRO plastic / alloy	TEKTRO plastic / alloy	TEKTRO plastic / alloy
RIMS	alloy 32 holes	alloy 32 holes	alloy 32 holes	alloy 32 holes	alloy 32 holes	alloy 20 holes	alloy 32 holes
SPOKES	black steel	black steel	steel	steel	steel	black steel	black steel
TIRES	KENDA Small Block Eight kevlar 24" x 1.95"	24" x 1.75"	24" x 1.75"	24" x 1.75"	24" x 1.50"	KENDA Small Block Eight kevlar 20" x 1.75"	20" x 1.75"
PEDALS	resin	resin	resin	resin	resin	resin	resin
HANDLEBAR	ZOOM alloy 20 mm 580 mm	steel 20 mm 580 mm	steel 20 mm 580 mm	steel 20 mm 580 mm	steel 20 mm 580 mm	alloy 25 mm 560 mm	steel 20 mm 540 mm
GRIPS	AUTHOR kratton rubber	AUTHOR kratton rubber	AUTHOR kratton rubber	AUTHOR kratton rubber	AUTHOR kratton rubber	AUTHOR kratton rubber	AUTHOR kratton rubber
STEM	ZOOM alloy	alloy	alloy	alloy	alloy	alloy	alloy
SEAT POST	ZOOM alloy (31.6)	alloy (27.2)	alloy (27.2)	alloy (25.4)	alloy (27.2)	alloy (27.2)	alloy (27.2)
SEAT CLAMP	AUTHOR (34.9)	AUTHOR (31.8)	AUTHOR (31.8)	AUTHOR (28.6)	AUTHOR (31.8)	AUTHOR (31.8)	AUTHOR (31.8)
SADDLE	AUTHOR Champion	AUTHOR	AUTHOR	AUTHOR	AUTHOR	AUTHOR Pilot	AUTHOR Pilot
SPEED	24	18	8	18	8	7	6
WEIGHT	12.0 kg / 12"	12.1 kg / 12.5"	11.8 kg / 12.5"	13.7 kg / 12.5"	10.9 kg / 12.5"	8.7 kg / 10"	10.7 kg / 10"



MODEL	COSMIC 20	MELODY 20	ENERGY 20	RECORD 16	KING KONG 16	STYLO 16	BELLO 16	ORBIT 16
SIZE	10"	10"	10"	9"	9"	9"	9"	9"
FRAME	alloy 6061 20"	alloy 6061 20" (L)	hi-ten 20"	alloy 6061 16"	alloy 6061 16"	alloy 6061 16"	alloy 6061 16" (L)	hi-ten 16"
FRONT FORK	hi-ten	hi-ten	hi-ten	alloy	alloy	hi-ten	hi-ten	hi-ten
HEAD PARTS	VP COMP 1"	VP COMP 1"	VP COMP 1"	PRESTINE 1-1/8"	PRESTINE 1-1/8"	VP COMP 1"	VP COMP 1"	VP COMP 1"
CHAINWHEEL	PROWHEEL 36 teeth 127 mm cranks	PROWHEEL 36 teeth 127 mm cranks	PROWHEEL 36 teeth 127 mm cranks	LASCO 32 teeth 100 mm cranks	SAMOX 32 teeth 114 mm cranks	PROWHEEL 32 teeth 102 mm cranks	PROWHEEL 32 teeth 102 mm cranks	PROWHEEL 32 teeth 102 mm cranks
B.B. PARTS	VP COMP	VP COMP	VP COMP	VP COMP	VP COMP	VP COMP	VP COMP	VP COMP
FRONT DERAILLEUR	-	-	-	-	-	-	-	-
REAR DERAILLEUR	SHIMANO TY21	SHIMANO TY21	SHIMANO TY21	-	-	-	-	-
SHIFTERS	SHIMANO Revoshift (6)	SHIMANO Revoshift (6)	SHIMANO Revoshift (6)	-	-	-	-	-
FREEWHEEL	SHIMANO MF-TZ500 14-28 (6)	SHIMANO MF-TZ500 14-28 (6)	SHIMANO MF-TZ500 14-28 (6)	coasterhub 16T	coasterhub 18T	coasterhub 16T	coasterhub 16T	coasterhub 16T
CHAIN	KMC Z6	KMC Z6	KMC Z6	KMC Z6	KMC Z6	KMC Z6	KMC Z6	KMC Z6
HUBS	QUANDO 20 holes	steel 32 holes	steel 32 holes	rear coasterhub 20 holes	rear coasterhub 28 holes	rear coasterhub 28 holes	rear coasterhub 28 holes	rear coasterhub 28 holes
BRAKES	TEKTRO V	TEKTRO V	TEKTRO V	TEKTRO V / coasterhub	TEKTRO V / coasterhub	TEKTRO V / coasterhub	TEKTRO V / coasterhub	TEKTRO V / coasterhub
BRAKE LEVERS	TEKTRO plastic / alloy	TEKTRO plastic / alloy	TEKTRO plastic / alloy	TEKTRO plastic / alloy	TEKTRO plastic / alloy	TEKTRO plastic / alloy	TEKTRO plastic / alloy	TEKTRO plastic / alloy
RIMS	alloy 20 holes	alloy 32 holes	alloy 32 holes	alloy 16 / 20 holes	alloy 28 holes	alloy 28 holes	alloy 28 holes	alloy 28 holes
SPOKES	black steel	steel	steel	black steel	black steel	black steel	steel	steel
TIRES	20" x 1.75"	20" x 1.50"	20" x 1.75"	KENDA Small Block Eight 16" x 1.50"	16" x 2.25"	16" x 1.75"	16" x 1.50"	16" x 1.75"
PEDALS	resin	resin	resin	resin	resin	resin	resin	resin
HANDLEBAR	alloy 15 mm 540 mm	steel 20 mm 540 mm	steel 20 mm 540 mm	alloy 25 mm 520 mm	alloy 45 mm 540 mm	alloy 60 mm 500 mm	steel 60 mm 500 mm	steel 60 mm 500 mm
GRIPS	AUTHOR kratton rubber	AUTHOR kratton rubber	AUTHOR kratton rubber	AUTHOR kratton rubber	AUTHOR kratton rubber	AUTHOR kratton rubber	AUTHOR kratton rubber	AUTHOR kratton rubber
STEM	alloy	alloy	alloy	alloy	alloy	alloy	alloy	alloy
SEAT POST	alloy (27.2)	steel (27.2)	steel (25.4)	alloy (27.2)	alloy (27.2)	alloy (27.2)	alloy (27.2)	steel (25.4)
SEAT CLAMP	AUTHOR (31.8)	AUTHOR (31.8)	AUTHOR (28.6)	AUTHOR (31.8)	AUTHOR (31.8)	alloy (31.8)	alloy (31.8)	alloy (28.6)
SADDLE	AUTHOR Pilot	AUTHOR Melody	AUTHOR Pilot	AUTHOR Record	AUTHOR Pilot	AUTHOR Stylo	AUTHOR Bello	AUTHOR Junior
SPEED	6	6	6	1	1	1	1	1
WEIGHT	8.9 kg / 10"	10.7 kg / 10"	10.9 kg / 10"	6.5 kg / 9"	7.8 kg / 9"	7.8 kg / 9"	8.3 kg / 9"	9.2 kg / 9"



	S/T c-t	T/T h	T/T a	H/T	C/S	W/B	S/T ang.	H/T ang.	F/L	B/B drop	B/B width	F/R
<b>ULTRASONIC 27 * T 1.5" PF</b>												
14"	356	550	544	110	420	1052	74.0	69.0	475	45	73	43
16"	406	575	557	115	420	1067	73.5	69.5	475	45	73	43
<b>ULTRASONIC 26 * T 1.5" PF</b>												
13.5"	343	545	527	110	405	1020	73.5	69.5	440	30	73	38
<b>CHAMPION 26 * T 1.5" PF</b>												
13.5"	343	545	533	110	405	1020	73.5	69.5	440	30	73	38
<b>SONIC 26 * T 1.5" PF</b>												
13.5"	343	545	530	110	415	1032	73.5	69.5	460	30	73	38
<b>A-MATRIX 26D *</b>												
13.5"	343	526	518	100	425	1002	73.5	69.5	460	30	68	38
<b>A-MATRIX 26</b>												
13.5"	343	526	518	100	405	1002	73.5	69.5	460	30	68	38
<b>ULTRASONIC 24 * T 1.5" PF</b>												
12"	305	500	482	110	400	965	73.0	70.0	372	25	68	45
<b>MIRAGE * T 1.5" PF</b>												
12"	305	500	489	110	400	959	73.0	70.0	410	25	68	38
<b>A-MATRIX SL</b>												
12.5"	318	492	480	100	395	956	73.5	70.0	410	20	68	42
<b>A-MATRIX / MATRIX</b>												
12.5"	318	492	480	100	395	956	73.5	70.0	410	20	68	42
<b>ULTIMA</b>												
12.5"	318	492	476	100	395	956	73.5	70.0	376	20	68	45

\* t 1.5" PF - 1.5" semiintegrated head set PF  
 \* - 1 1/8" semiintegrated head set PF 50 mm

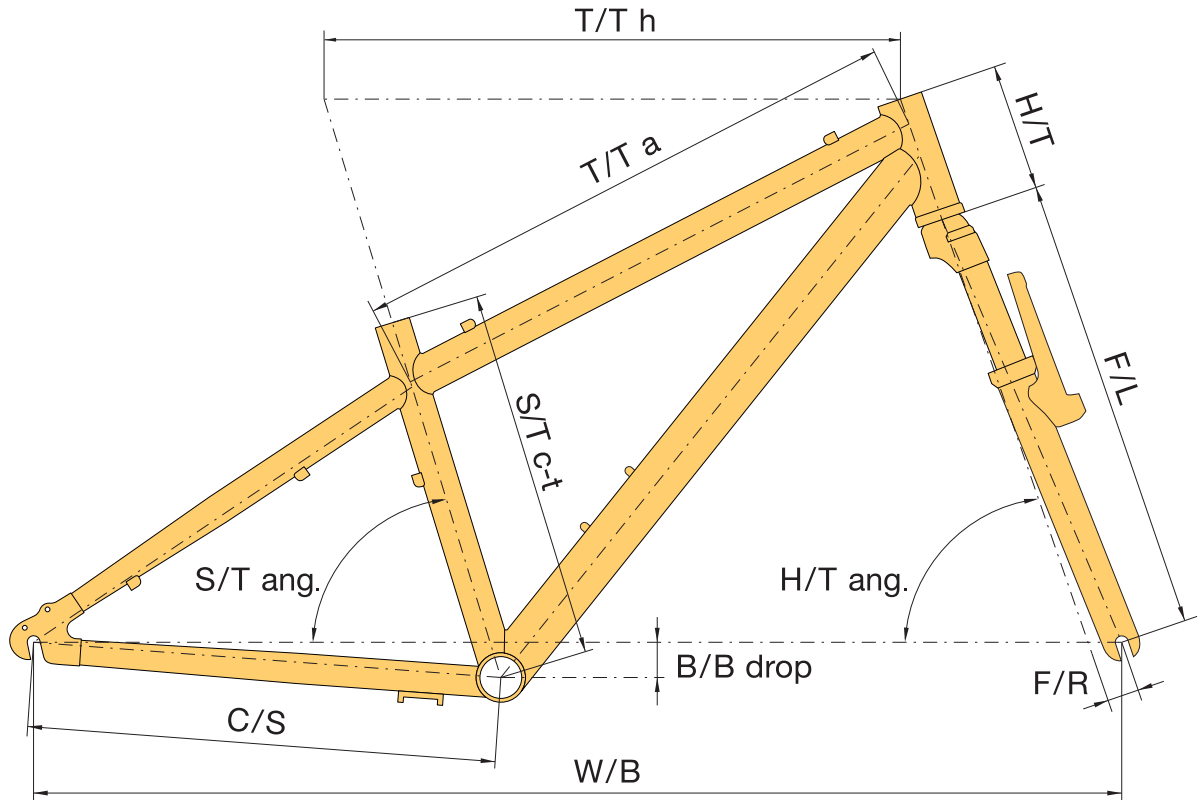
PF - Press Fit

**GEOMETRY TABLE LEGEND:**

- S/T c-t - seat tube (center-top)
- T/T h - top tube horizontal
- T/T a - top tube actual
- H/T - head tube
- C/S - chain stay
- W/B - wheel base
- S/T ang. - seat tube angle
- H/T ang. - head tube angle
- F/L - fork length
- B/B drop - bottom bracket drop
- B/B width - bottom bracket width
- F/R - fork rake

Recommended frame size to the body height for each model you can find on our web site [www.author.eu](http://www.author.eu)





	S/T c-t	T/T h	T/T a	H/T	C/S	W/B	S/T ang.	H/T ang.	F/L	B/B drop	B/B width	F/R
<b>SMART</b>												
10"	254	430	426	90	360	850	73.5	71.0	364	15	68	42
<b>RECORD*</b>												
10"	254	430	419	90	360	850	73.5	71.0	321	15	68	28
<b>COSMIC</b>												
10"	254	435	419	90	360	847	73.0	72.0	316	10	68	45
<b>MELODY</b>												
10"	254	444	490	90	360	855	73.0	72.0	316	10	68	45
<b>ENERGY</b>												
10"	254	435	419	90	360	846	73.0	72.0	316	10	68	45
<b>RECORD 16*</b>												
9"	229	375	362	90	305	727	74.0	73.0	265	-5	68	40
<b>KING KONG 16*</b>												
9"	229	400	388	110	310	766	73.0	69.0	280	5	73	28
<b>STYLO</b>												
9"	229	375	364	90	305	717	74.0	73.0	264	-5	68	34
<b>BELLO</b>												
9"	229	375	410	90	305	717	74.0	73.0	264	-5	68	34
<b>ORBIT</b>												
9"	229	375	364	90	305	717	74.0	73.0	264	-5	68	34

\* t 1.5" PF - 1.5" semiintegrated head set PF  
 \* - 1 1/8" semiintegrated head set PF 50 mm

PF - Press Fit

**GEOMETRY TABLE LEGEND:**

- S/T c-t - seat tube (center-top)
- T/T h - top tube horizontal
- T/T a - top tube actual
- H/T - head tube
- C/S - chain stay
- W/B - wheel base
- S/T ang. - seat tube angle
- H/T ang. - head tube angle
- F/L - fork length
- B/B drop - bottom bracket drop
- B/B width - bottom bracket width
- F/R - fork rake

Recommended frame size to the body height for each model you can find on our web site [www.author.eu](http://www.author.eu)



**UNIVERSE AGENCY spol. s r.o.**  
Prague 2  
Czech Republic  
e-mail: [info@author.eu](mailto:info@author.eu)  
[www.author.eu](http://www.author.eu)



**HUSASMIÐJAN**  
Reykjavik  
Iceland  
e-mail: [thoraust@husa.is](mailto:thoraust@husa.is)  
[www.husa.is](http://www.husa.is)



**AUTHOR International Ltd.**  
Taichung City  
Taiwan, R.O.C.  
e-mail: [service@authorbike.asia](mailto:service@authorbike.asia)  
[www.en.author.eu](http://www.en.author.eu)



**PODILATIS GROUP**  
Thessaloniki  
Greece  
e-mail: [info@podilatis.gr](mailto:info@podilatis.gr)  
[www.podilatis.gr](http://www.podilatis.gr)



**BIKE MANIA**  
Huizhou  
China  
e-mail: [service@authorbike.asia](mailto:service@authorbike.asia)  
[www.en.author.eu](http://www.en.author.eu)



**MAXIMUM Ltd.**  
St. Petersburg  
Russia  
e-mail: [maximum@msgbox.ru](mailto:maximum@msgbox.ru)  
[www.st-peterbike.ru](http://www.st-peterbike.ru)



**UNIVERSE SLOVAKIA s.r.o.**  
Trenčianske Stankovce  
Slovak Republic  
e-mail: [author@author.sk](mailto:author@author.sk)  
[www.author.sk](http://www.author.sk)



**VELOCITY Group Ltd.**  
Kaliningrad  
Russia  
e-mail: [energysport39@mail.ru](mailto:energysport39@mail.ru)  
[www.esport39.ru](http://www.esport39.ru)



**VELO sp. z o.o.**  
Gliwice  
Poland  
e-mail: [office@velo.com.pl](mailto:office@velo.com.pl)  
[www.author.pl](http://www.author.pl)



**BELADVACOM Group Ltd.**  
Minsk  
Republic of Belarus  
e-mail: [info@beladva.com](mailto:info@beladva.com)  
[www.beladva.com](http://www.beladva.com)



**PULZAR d.o.o.**  
Kamnik  
Slovenia  
e-mail: [pulzar@siol.net](mailto:pulzar@siol.net)  
[www.author.si](http://www.author.si)



**AT Distribution Llc.**  
Kiev  
Ukraine  
e-mail: [author@atd.net.ua](mailto:author@atd.net.ua)  
[www.author-ukraine.com](http://www.author-ukraine.com)



**TCT d.o.o.**  
Zagreb  
Croatia  
e-mail: [ante.cuic@tct-author.hr](mailto:ante.cuic@tct-author.hr)  
[www.tct-author.hr](http://www.tct-author.hr)



**PARALAX s.r.l.**  
Kishinev  
Moldova  
e-mail: [paralax@velo.md](mailto:paralax@velo.md)  
[www.velo.md](http://www.velo.md)



**MEREUURIMISE ARENDUSKESKUS**  
Tallinn  
Estonia  
e-mail: [author@author.ee](mailto:author@author.ee)  
[www.author.ee](http://www.author.ee)  
Distribution for Estonia & Lithuania



**LIMPOPO OUTDOOR**  
Almaty  
Kazakhstan  
e-mail: [limpopo-kz@mail.ru](mailto:limpopo-kz@mail.ru)  
[www.limpopo.kz](http://www.limpopo.kz)



**SIA "ETG"**  
Riga  
Latvia  
e-mail: [info@elkor.lv](mailto:info@elkor.lv)  
[www.elkor.com](http://www.elkor.com)



**DI SPORT Stores**  
Tashkent  
Uzbekistan  
e-mail: [info@di-sport.com](mailto:info@di-sport.com)  
[www.di-sport.com](http://www.di-sport.com)



**URIEL HUNGARY Kft.**  
Budapest  
Hungary  
e-mail: [info@authorkerekpar.hu](mailto:info@authorkerekpar.hu)  
[www.authorkerekpar.hu](http://www.authorkerekpar.hu)

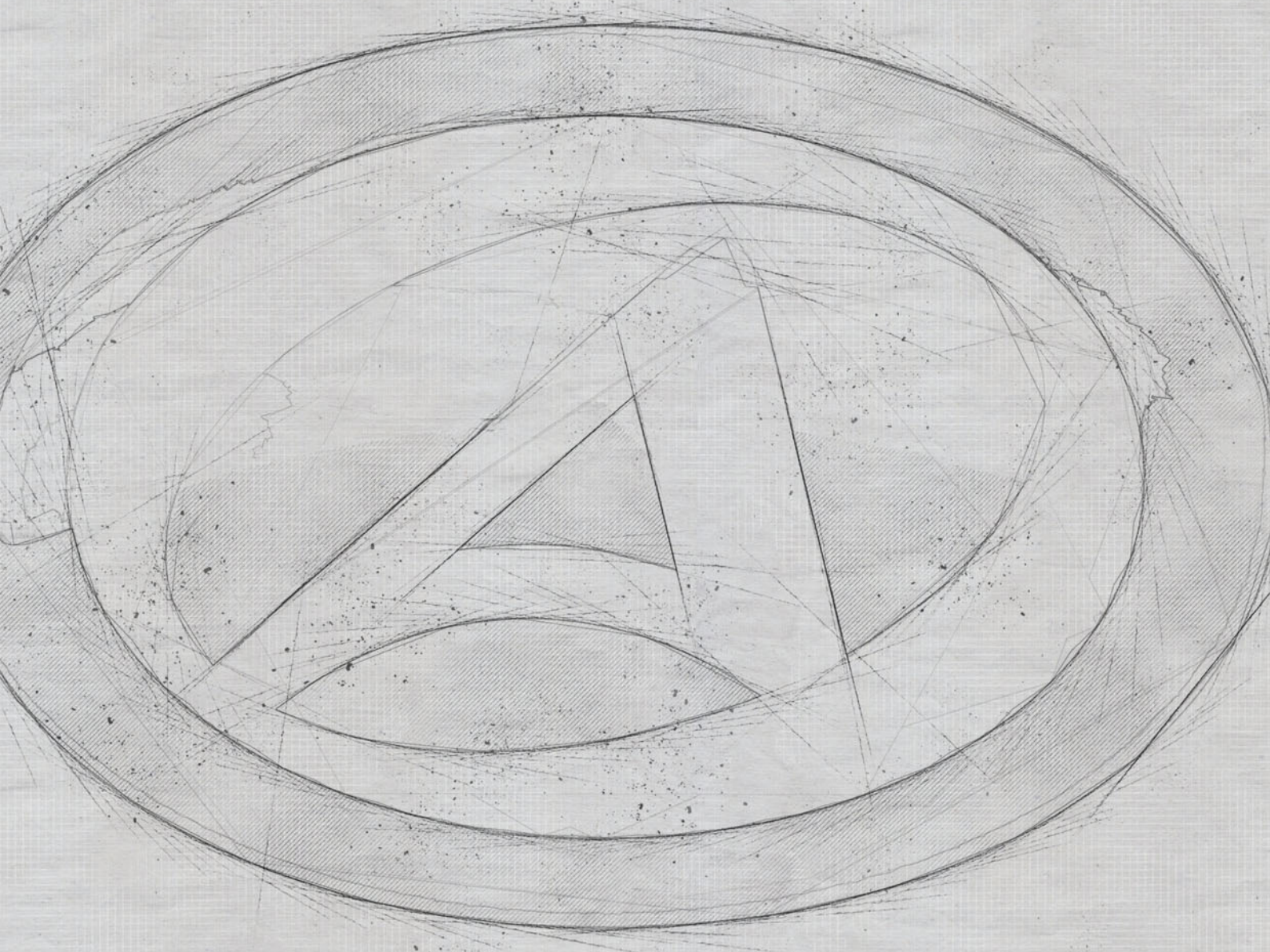


**GERGERT Sport**  
Bishkek  
Kyrgyzstan  
e-mail: [info@gergert.kg](mailto:info@gergert.kg)  
[www.gergert.kg](http://www.gergert.kg)



**Taylor Wheels GmbH**  
Schmölln-Putzkau  
Germany  
e-mail: [service@taylor-wheels.de](mailto:service@taylor-wheels.de)  
[www.taylor-wheels.de](http://www.taylor-wheels.de)





[www.author.eu](http://www.author.eu)

[www.facebook.com / Author.cz](https://www.facebook.com/Author.cz)

We reserve the right to change the technical specifications and colour solutions without notice.

© 2018 Universe Agency spol. s r. o.