



AUTHOR 2018



In 2018, Author presents its 25th collection. Twenty-five years – is that a long, or a short period of time? In the life of a human, or in the existence of a brand? And what does this number represent anyway...

Author has matured, and we have matured with it. We have learned some things and unlearned a lot of them. We have made a solid number of bikes and accessories, which, we hope, serve their owners well.

"Think about the past and you will know the future."

On this journey that has lasted a quarter of a century, we learned to want to be better and more receptive. We know our goals and the path that could lead to them. We know that everything happens in a circle. If our customer is satisfied, our reseller is successful, and we can calmly continue doing our jobs.

"Those who have confidence in themselves shall overcome the others."

I have been (and still am) lucky enough to have amazing people working alongside me. I have met a number of capable and smart salesmen. And the one thing that we have always had in common was the pride we take in Author. Not because we are the best, but because we try our best. Self-confidence based on competence, hard work and honesty are indispensable in both life and at work.

"It is better to light a candle than to complain about the dark."

Not all our endeavours during the 25 years have yielded fruit. Not all our choices have proven to be right. However, we will always strive for Author to be a progressive brand and a trend-setter, delivering new models, designs and technical concepts. Thank you for your patience.

In conclusion, my dear colleagues, please let me offer one last Asian proverb:

"A man who does not know how to smile must not open a shop."

Yours faithfully with a smile, Martin H.





E-BIKES	ELECTRIC BIKES	4 - 13
ROAD GRAVEL	ROAD GRAVEL BIKES	14 - 25
FSX	FULL SUSPENSION BIKES DH ENDURO XC TRAIL	26 - 37
MTB 29	29" MOUNTAIN BIKES	38 - 51
MTB 27.5	27.5" MOUNTAIN BIKES	52 - 65
MTB ASL 27.5	27.5" LADIES SPORT MOUNTAIN BIKES	66 - 75
MTB 26	26" MOUNTAIN BIKES	76 - 87
CROSS	CROSS TREKKING BIKES	88 - 107
CROSS ASL	LADIES CROSS TREKKING BIKES	108 - 117
TOURING	TOURING BIKES	118 - 127
JUNIOR	KIDS BIKES	128 - 149

E-BIKES



COLLECTION 2018

AUTHOR MTB 27.5" AND 29" E-BIKES

For model year 2018 we are expanding our offer of MTB e-bikes from current 2 models of ELEVATION for and ELEVATION+ for 29" model ELEVATION 29. The highest model is still ELEVATION+, though. For next year will be upgraded for FOX 34 Float 27.5 Remote fork, Vittoria e-Goma 2.4" tires and Kind Shock adjustable seat post. Still the bike is equipped with brand new SHIMANO system, which has a name of STEPS E8000 and it is designed for really rough terrain even for categories like All Mountain, Trail and XC for sure. STEPS E8000 has a brand new, lighter and smaller central motor (drive unit) with torque of 70 Nm and power of 250 W. New and also more capacitive is the Li-Ion battery BT-E8010 with parameters: 36 V, 500 Wh, 14 Ah.



All 3 models are built on our original frame with comfortable geometry and symbiotic, built-in system SHIMANO STEPS. Our own design and frame concept represent an attractive profile that maintains functionality and solidness, with central position of the engine in 30-45° angle allowing better movement in an open terrain and distribution of total weight of the bike.

The frame is of course equipped with all the design elements necessary on a mountain bike. They include first of all rear thru axle with standard 12x142, or 12x148 mm, the conical head tube compatible with the 1.5" fork's tapered steerer tube, threaded eye lets on the rear stay for carrier and mudguard stays. There is also an integrated platform to fix kick stand in the left drop out.

The electrical cables routing is integrated into the frame's front triangle, and battery is mounted using special adapter on the down tube.

ELEVATION and ELEVATION 29 bikes are driven by SHIMANO STEPS E6000 system with LCD display and remote control of four modes and walk assist feature. The system is powered with 250 W engine weighing 3.7 kg but main upgrade on STEPS E6000 (both ELEVATION models) is much higher capacity of new Li-Ion battery BT-E8010, with parameters 36 V, 500 Wh, 14 Ah, which is originally made for STEPS E8000.



AUTHOR E-CROSS

Another e-bike category is E-Cross, where we stay with by us tested system named STEPS from Japanese brand SHIMANO. The models, which are powered by this system have the names of EMPIRE (man bike) and ENIGMA (woman bike).

Above mentioned models are powered by system STEPS E6000 with central motor of nominal 250 W, weight 3.5 kg and Li-Ion battery weighing 2.6 kg and parameters 36 V, 11.6 Ah, 418 Wh mounted to the down tube by special adapter. Other system components are LCD display and remote control of 4 modes and walk assist.

Motor is mounted to the frame by special interface, which is specially designed for this particular engine. All the cables routing led through the front triangle frame tubes.

There is a visual change in the frame's front triangle, where we have tried to obtain an integration of down tube and battery by using so called semiintegrated down tube, which follows the battery shape. Thanks to this update we also were able to lower the battery position.



The frames are equipped with all frame elements usual in cross bicycles. So there are threaded eyes for a bicycle carrier, threads in the frame drop outs for installation of mudguard stays. The frame's chain stay is equipped with the integrated interface for International Standard (IS) disc mount and kick stand.

AUTHOR E-TOURING

We really believe in e-bikes. We know that they do have a bright future, and so the other alternative next to the E-Cross are E-Touring bicycles. We again stay with proofed and tested system from another Japanese brand named SR SUNTOUR. So, we don't change the supplier and neither does we change the model names. And so you can again find in our lineup models ELEMENT and ELECTRA. We also stay with by us designed and for this category specially made frame under the name of ALLOY 6061 HYDROFORM DESIGN. What we did change is the concept of those bikes. We placed the motor into rear hub and battery is mounted by special adapter on the down tube. For such a motor concept we had to create our own rear stay drop outs with the integrated interface for Post Mount (PM) for hydraulic disc brakes, which are both models equipped by.

The men's frame was designed especially with the concern of comfortable seating, strength and rigidity.

Women's frame is designed with a focus on comfortable getting on the bike and seating as well. But unfortunately the down tube battery limits this advantage partially. Our overall goal was also to make an elegant and design wise great looking woman e-bike.

There is a visual change in the frame's front triangle, where we have tried to obtain an integration of down tube and battery by using so called semiintegrated down tube, which follows the battery shape. Thanks to this update we also were able to lower the battery position.

The frames are equipped with all components usual in touring bicycles - threaded eyes for a bicycle carrier and an integrated lock in the seat stay and the chain stay and threads in the frame drop outs for installation of mudguard stays. There is also a base for installation of a stand behind the bottom bracket shell.

Additionally to all these touring frame details we also add the frame's elements which are needed for e-bikes. Especially frame adjustments for electric cables routing and battery holder. That means frame cables entry and exit for hiding them inside the frame.

System is powered by 250 W, 36 V, 3 kg weighing engine hidden in the rear axle, LCD display and 36 V, 11.6 Ah, 418 Wh Phyllion Li-Ion battery made of Panasonic cells.



AUTHOR E-TOURING

For next year we again expand our lineup of E-Touring for model ELAN. The highest demand in this E-bike segment is for easy get on / off bike and so that is why we are coming with this brand new model. It is classic city bike on 26" wheels with very "low step" frame, where there is no battery on down tube because it's mounted on the carrier. This model is powered by Bafang E-bike system, which is for more than 10 years one of the biggest E-bike system components maker in the world. Those engines are de facto standard for middle and middle-low E-bike segment. Bafang system uses rear engine of 250 W nominal power, battery on the rear carrier with capacity of 10.4 Ah but the voltage is 43 V and so the battery Watt capacity is almost 450 Wh. Remote control for mode shifting on the display, as well as walk assist is a commonplace.

This bike will not be only women model but will be designed as unisex bike included frame decals artwork.



SHIMANO
1x11

Boost 12x148

Boost 15x110



| ELEVATION+ |

FRAME	double butted hydroformed alloy 6061	BATTERY	Shimano BT-E8010 Li-Ion, 36 V, 14 Ah, 500 Wh
FORK	FOX 34 Float 29 Remote, 15 mm axle, 1.5" tapered (120 mm travel)	DISPLAY	LCD SC-E8000
CHAINWHEEL	Shimano Steps E8000 (38 teeth)	BRAKES	TRP Slate 4 (7"), hydraulic
REAR DERAILLEUR / SHIFTERS	Shimano SLX, 11 speed	TIRES	Vittoria e-Goma TNT Kevlar 27.5" x 2.40"
MOTOR	Shimano Steps E8000, 250 W	COLOR	Matte Black / Neon Yellow

SHIMANO
1x10

12x142

15x100



| ELEVATION 29 |

FRAME	double butted hydroformed alloy 6061	BATTERY	Shimano BT-E8010 Li-Ion, 36 V, 14 Ah, 500 Wh
FORK	RST F1RST 29 15 TRL (100 mm travel)	DISPLAY	LCD SC-E6010
CHAINWHEEL	Shimano Steps E6000 (38 teeth)	BRAKES	TRP Slate 4 (7"), hydraulic
REAR DERAILLEUR / SHIFTERS	Shimano Deore, 10 speed	TIRES	Vittoria e-Barzo Kevlar 29" x 2.25"
MOTOR	Shimano Steps E6001, 250 W	COLOR	Matte Temple Grey / Andaman Sea

SHIMANO
1x10

12x142

15x100



| ELEVATION |

FRAME	double butted hydroformed alloy 6061	BATTERY	Shimano BT E8010 Li-Ion, 36 V, 14 Ah, 500 Wh
FORK	RST F1RST 27.5 15 TRL (120 mm travel)	DISPLAY	LCD SC-E6010
CHAINWHEEL	Shimano Steps E6000 (38 teeth)	BRAKES	TRP Slate 4 (7"), hydraulic
REAR DERAILLEUR / SHIFTERS	Shimano Deore, 10 speed	TIRES	Vittoria e-Barzo Kevlar 27.5" x 2.25"
MOTOR	Shimano Steps E6001, 250 W	COLOR	Matte Black / Racing Red

SHIMANO
1x10



| EMPIRE |

FRAME	double butted hydroformed alloy 6061	BATTERY	Shimano E6010, 36 V, 11.6 Ah, 418 Wh
FORK	RST Volant Air TnL (60 mm travel)	DISPLAY	LCD SC-E6010
CHAINWHEEL	Shimano Steps E6000 (38 teeth)	BRAKES	Tektro Gemini (7"), hydraulic
REAR DERAILLEUR / SHIFTERS	Shimano Deore, 10 speed	TIRES	Author Panaracer Silk Road Cross kevlar 700 x 42c
MOTOR	Shimano Steps E6001, 250 W	COLOR	Matte Black / Neon Yellow

SHIMANO
1x10



| ENIGMA |

FRAME	double butted hydroformed alloy 6061	BATTERY	Shimano E6010, 36 V, 11.6 Ah, 418 Wh
FORK	RST Volant Air TnL (60 mm travel)	DISPLAY	LCD SC-E6010
CHAINWHEEL	Shimano Steps E6000 (38 teeth)	BRAKES	Tektro Gemini (7"), hydraulic
REAR DERAILLEUR / SHIFTERS	Shimano Deore, 10 speed	TIRES	Author Panaracer Silk Road Cross kevlar 700 x 42c
MOTOR	Shimano Steps E6001, 250 W	COLOR	Matte Temple Grey / Suzy Pink



| ELEMENT |

FRAME	alloy 6061 700C	BATTERY	Phyllon Li-Ion, 36 V, 11.6 Ah, 418 Wh
FORK	Suntour NEX-E25 (63 mm travel)	DISPLAY	LCD
CHAINWHEEL	Suntour EBCW (42 teeth)	BRAKES	Tektro Vela (6"), hydraulic
REAR DERAILLEUR / SHIFTERS	Shimano Alivio, 9 speed	TIRES	700 x 40c
MOTOR	Suntour 250 W	COLOR	Matte Black / Arctic Blue



| ELECTRA |

FRAME	alloy 6061 700C	BATTERY	Phyllon Li-Ion, 36 V, 11.6 Ah, 418 Wh
FORK	Suntour NEX-E25 (63 mm travel)	DISPLAY	LCD
CHAINWHEEL	Suntour EBCW (42 teeth)	BRAKES	Tektro Vela (6"), hydraulic
REAR DERAILLEUR / SHIFTERS	Shimano Alivio, 9 speed	TIRES	700 x 40c
MOTOR	Suntour 250 W	COLOR	Matte Treasure Silver / Racing Red



| ELAN [A] |

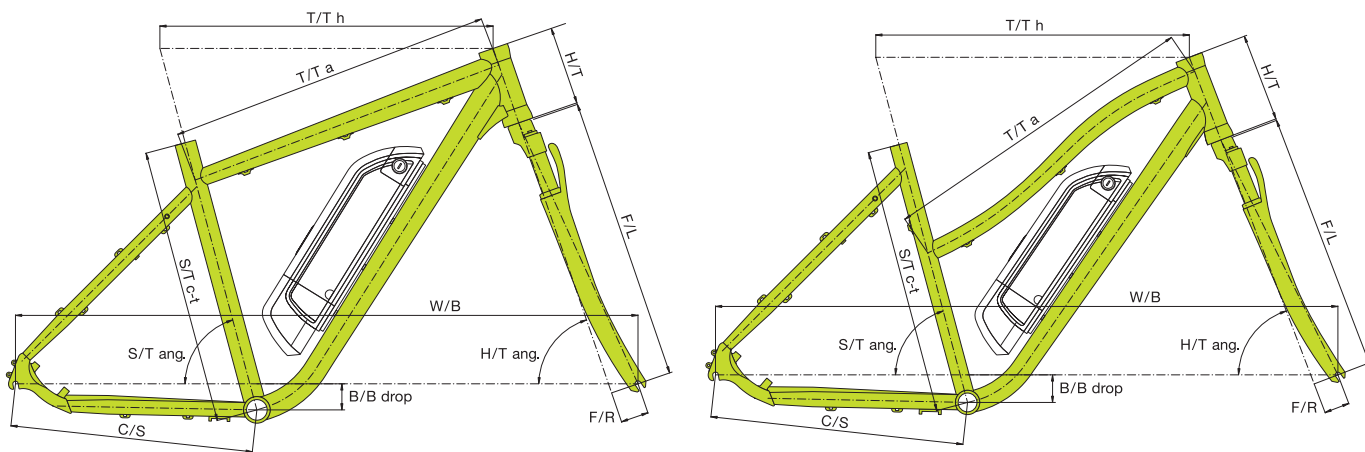
FRAME	alloy 6061 26"	BATTERY	Bafang Li-Ion, 43 V, 10.4 Ah, 447 Wh
FORK	RST Gila 26T (80 mm travel)	DISPLAY	LED
CHAINWHEEL	Prowheel (38 teeth)	BRAKES	Tektro V
REAR DERAILLEUR / SHIFTERS	Shimano TX800 / Tourney, 8 speed	TIRES	Classic Venice 26" x 2.00"
MOTOR	Bafang 250 W	COLOR A	Matte Temple Grey / Arctic Blue



| ELAN [B] |

FRAME	alloy 6061 26"	BATTERY	Bafang Li-Ion, 43 V, 10.4 Ah, 447 Wh
FORK	RST Gila 26T (80 mm travel)	DISPLAY	LED
CHAINWHEEL	Prowheel (38 teeth)	BRAKES	Tektro V
REAR DERAILLEUR / SHIFTERS	Shimano TX800 / Tourney, 8 speed	TIRES	Classic Venice 26" x 2.00"
MOTOR	Bafang 250 W	COLOR B	Treasure Silver / Racing Red

MODEL	ELEVATION+	ELEVATION 29	ELEVATION	EMPIRE	ENIGMA	ELEMENT	ELECTRA	ELAN
SIZE	17", 19", 21"	17", 19", 21"	17", 19", 21"	16", 18", 20", 22"	17", 19"	18", 20", 22"	17", 19"	16", 18", 20"
FRAME	double butted hydroformed alloy 6061 27.5"	double butted hydroformed alloy 6061 29"	double butted hydroformed alloy 6061 27.5"	double butted hydroformed alloy 6061 700c	double butted hydroformed alloy 6061 700c (L)	alloy 6061 700c	alloy 6061 700c (L)	alloy 6061 700c (L)
FRONT FORK	FOX 34 Float 27.5 Remote air, remote lock out 15 mm thru axle 1.5" tapered steerer (120 mm)	RST F1RST 29 15 TRL air, remote lock out 15 mm thru axle (100 mm)	RST F1RST 27.5 15 TRL air, remote lock out 15 mm thru axle (120 mm)	RST Volant Air TnL air, remote lock out (60 mm)	RST Volant Air TnL air, remote lock out (60 mm)	SUNTOUR NEX-E25 (63 mm)	SUNTOUR NEX-E25 (63 mm)	RST Gila 26 T (80 mm)
ENGINE	SHIMANO Steps DU-E8000 250 W	SHIMANO Steps DU-E6001, 250 W	SHIMANO Steps DU-E6001, 250 W	SHIMANO Steps DU-E6001 250 W	SHIMANO Steps DU-E6001 250 W	SUNTOUR 250 W	SUNTOUR 250 W	BAFANG 250 W
BATTERY	SHIMANO BT-E8010 Li-Ion, 36 V, 14 Ah, 500 Wh	SHIMANO BT-E8010 Li-Ion, 36 V, 14 Ah, 500 Wh	SHIMANO BT-E8010 Li-Ion, 36 V, 14 Ah, 500 Wh	SHIMANO BT-E6010 Li-Ion, 36 V, 11.6 Ah, 418 Wh	SHIMANO BT-E6010 Li-Ion, 36 V, 11.6 Ah, 418 Wh	PHYLION Li-Ion 36V, 11.6 Ah, 418 Wh	PHYLION Li-Ion 36 V, 11.6 Ah, 418 Wh	BAFANG Li-Ion, 43 V, 10.4 Ah, 447 Wh
DISPLAY	LCD SC-E8000	LCD SC-E6010	LCD SC-E6010	LCD SC-E6010	LCD SC-E6010	LCD	LCD	LED
HEAD PARTS	FSA Integrated 1-1/8"	FSA Integrated 1-1/8"	FSA Integrated 1-1/8"	AUTHOR Integrated 1-1/8"	AUTHOR Integrated 1-1/8"	PRESTINE Integrated 1-1/8"	PRESTINE Integrated 1-1/8"	PRESTINE Integrated 1-1/8"
CHAINWHEEL	SHIMANO Steps E8000 38 teeth 170 / 175 mm cranks	SHIMANO Steps E6000 38 teeth 170 / 175 mm cranks	SHIMANO Steps E6000 38 teeth 170 / 175 mm cranks	SHIMANO Steps E6000 38 teeth 170 / 175 mm cranks	SHIMANO Steps E6000 38 teeth 170 mm cranks	SUNTOUR EBCW 42 teeth 170 mm cranks	SUNTOUR EBCW 42 teeth 170 mm cranks	PROWHEEL 38 teeth 170 mm cranks
B.B. PARTS	SHIMANO Steps	SHIMANO Steps	SHIMANO Steps	SHIMANO Steps	SHIMANO Steps	SUNTOUR	SUNTOUR	BAFANG
FRONT DERAILLEUR	-	-	-	-	-	-	-	-
REAR DERAILLEUR	SHIMANO SLX	SHIMANO Deore	SHIMANO Deore	SHIMANO Deore	SHIMANO Deore	SHIMANO Alivio	SHIMANO Alivio	SHIMANO TX800
SHIFTERS	SHIMANO SLX (11)	SHIMANO Deore (10)	SHIMANO Deore (10)	SHIMANO Deore (10)	SHIMANO Deore (10)	SHIMANO Alivio (9)	SHIMANO Alivio (9)	SHIMANO Tourney (8)
FREEWHEEL	SHIMANO M7000-11 11-42 (11)	SHIMANO HG50-10 11-36 (10)	SHIMANO HG50-10 11-36 (10)	SHIMANO HG50-10 11-36 (10)	SHIMANO HG50-10 11-36 (10)	SHIMANO HG-300-9 11-34 (9)	SHIMANO HG-300-9 11-34 (9)	SHIMANO HG-31 11-34 (8)
CHAIN	KMC X11e	KMC X10e	KMC X10e	KMC X10e	KMC X10e	KMC X9e	KMC X9e	KMC 272
HUBS	AUTHOR Xenon 15+ / Krypton 12+ boost 15 x 110 mm thru front axle boost 12 x 148 mm thru rear axle 32 holes	AUTHOR Helium 15 / Xenon 12 15 x 100 mm thru front axle 12 x 142 mm thru rear axle 32 holes	AUTHOR Helium 15 / Xenon 12 15 x 100 mm thru front axle 12 x 142 mm thru rear axle 32 holes	AUTHOR Radon 32 holes	AUTHOR Radon 32 holes	AUTHOR Radon 36 holes SUNTOUR 36 holes	AUTHOR Radon 36 holes SUNTOUR 36 holes	QUANDO 36 holes BAFANG 36 holes
BRAKES	TRP Slate 4 disc hydraulic (7" rotors)	TRP Slate 4 disc hydraulic (7" rotors)	TRP Slate 4 disc hydraulic (7" rotors)	TEKTRO Gemini disc hydraulic (7" rotors)	TEKTRO Gemini disc hydraulic (7" rotors)	TEKTRO Vela disc hydraulic (6" rotors)	TEKTRO Vela disc hydraulic (6" rotors)	TEKTRO V
BRAKE LEVERS	TRP Slate 4	TRP Slate 4	TRP Slate 4	TEKTRO Gemini	TEKTRO Gemini WS	TEKTRO Vela	TEKTRO Vela	TEKTRO
RIMS	AUTHOR Krypton Plus 27.5 32 holes	AUTHOR Krypton 29 32 holes	AUTHOR Krypton 27.5 32 holes	AUTHOR Xenon Pro 29 32 holes	AUTHOR Xenon Pro 29 32 holes	AUTHOR Radon Cross 36 holes	AUTHOR Radon Cross 36 holes	AUTHOR Argon 36 holes
SPOKES	black stainless steel 2.0 mm	black stainless steel 2.0 mm	black stainless steel 2.0 mm	black stainless steel 2.0 mm	black stainless steel 2.0 mm	black stainless steel 2.0 mm	black stainless steel 2.0 mm	black stainless steel 2.0 mm
TIRES	VITTORIA e-Goma kevlar 27.5" x 2.40"	VITTORIA e-Barzo kevlar 29" x 2.25"	VITTORIA e-Barzo kevlar 27.5" x 2.25"	AUTHOR PANARACER Silk Road Cross kevlar 700 x 42c	AUTHOR PANARACER Silk Road Cross kevlar 700 x 42c	CST reflexive stripes 700 x 40c	CST reflexive stripes 700 x 40c	CST Classic Venice 26" x 2.00"
PEDALS	HT platmorm	HT platmorm	HT platmorm	HT platmorm	AUTHOR Non Slip alloy	AUTHOR Non Slip alloy	AUTHOR Non Slip alloy	AUTHOR Non Slip alloy
HANDLEBAR	AUTHOR 15 mm 760 mm	AUTHOR 15 mm 700 / 720 mm	AUTHOR 15 mm 700 / 720 mm	AUTHOR 15 mm 660 mm	AUTHOR 15 mm 640 / 660 mm	AUTHOR 25 mm 660 mm	AUTHOR 25 mm 640 mm	KALLOY 45 mm 620 mm
GRIPS / TAPES	AUTHOR Pro Lock	AUTHOR Pro Lock	AUTHOR Pro Lock	AUTHOR Microtech ErgoGrip	AUTHOR Microtech ErgoGrip	AUTHOR Microtech ErgoGrip	AUTHOR Microtech ErgoGrip	AUTHOR high density foam
STEM	AUTHOR alloy	AUTHOR alloy	AUTHOR alloy	AUTHOR alloy	AUTHOR alloy	UNO adjustable	UNO adjustable	UNO adjustable
SEAT POST	KIND SHOCK E30i alloy adjustable (30.9)	AUTHOR alloy (30.9)	AUTHOR alloy (30.9)	AUTHOR alloy (27.2)	AUTHOR alloy (27.2)	UNO suspension (27.2)	UNO suspension (27.2)	UNO suspension (27.2)
SEAT CLAMP	AUTHOR (31.8)	AUTHOR (31.8)	AUTHOR (31.8)	AUTHOR (31.8)	AUTHOR (31.8)	AUTHOR (31.8)	AUTHOR (31.8)	AUTHOR (31.8)
SADDLE	AUTHOR Navigator	AUTHOR Navigator	AUTHOR Navigator	AUTHOR Sphere Gel	AUTHOR Area Gel	AUTHOR King Sofa	AUTHOR Queen Sofa	AUTHOR Queen Sofa
SPEED	11	10	10	10	10	9	9	8
WEIGHT	21.6 kg / 19"	20.7 kg / 19"	20.5 kg / 19"	20.9 kg / 20"	20.8 kg / 17"	23.6 kg / 19"	23.6 kg / 17"	23.5 kg / 16"



	S/T c-t	T/T h	T/T a	H/T	C/S	W/B	S/T ang.	H/T ang.	F/L	B/B drop	B/B width	F/R
ELEVATION+ * T 1.5" PF												
17"	432	615	590	115	460	1159	71.5	66.0	560	45	-	43
19"	483	630	601	125	460	1187	71.5	66.0	560	45	-	43
21"	533	645	613	130	460	1203	71.5	66.0	560	45	-	43
ELEVATION 29 * T 1.5" PF												
17"	432	595	577	120	480	1127	73.0	70.5	510	60	-	43
19"	483	620	594	130	480	1152	73.0	70.5	510	60	-	43
21"	533	640	612	140	480	1173	73.0	70.5	510	60	-	43
ELEVATION * T 1.5" PF												
17"	432	590	573	130	465	1133	73.5	69.0	510	51	-	42
19"	483	615	592	130	465	1158	73.5	69.0	510	51	-	42
21"	535	635	611	140	465	1173	73.0	69.0	510	51	-	42
EMPIRE*												
16"	406	560	546	130	450	1056	73.0	71.0	470	60	-	44
18"	457	580	560	150	450	1076	73.0	71.0	470	60	-	44
20"	508	600	576	170	450	1097	73.0	71.0	470	60	-	44
22"	559	620	595	180	450	1117	73.0	71.0	470	60	-	44
ENIGMA*												
17"	432	565	545	140	450	1072	73.5	70.5	470	60	-	44
19"	483	585	565	150	450	1093	73.5	70.5	470	60	-	44
ELEMENT*												
18"	457	550	536	130	445	1072	75.0	71.0	470	45	68	46
20"	508	555	538	130	445	1077	75.0	71.0	470	45	68	46
22"	558	559	543	150	445	1082	75.0	71.0	470	45	68	46
ELECTRA*												
17"	432	536	526	160	459	1095	75.0	69.0	470	50	68	46
19"	483	568	557	160	459	1127	75.0	69.0	470	50	68	46
ELAN*												
16"	406	545	533	145	430	1052	75.0	70.0	460	50	68	38
18"	457	560	542	155	430	1089	75.0	70.0	460	50	68	38
20"	508	568	549	160	430	1097	75.0	70.0	460	50	68	38

* t 1.5" PF - semiintegrated head set 1.5" tapered PF
 * - 1 1/8" semiintegrated head set PF 50 mm

PF - Press Fit

GEOMETRY TABLE LEGEND:

- S/T c-t - seat tube (center-top)
- T/T h - top tube horizontal
- T/T a - top tube actual
- H/T - head tube
- C/S - chain stay
- W/B - wheel base
- S/T ang. - seat tube angle
- H/T ang. - head tube angle
- F/L - fork length
- B/B drop - bottom bracket drop,
- B/B width - bottom bracket width
- F/R - fork rake

Recommended frame size to the body height for each model you can find on our web site www.author.eu

ROAD



PHOTO: Jan Brychta

COLLECTION 2018

AUTHOR CARBON ROAD

CHARISMA

For model year 2018 we are going to use our 3rd generation of AUTHOR carbon road frame's platform in a new design. We will use it for models CHARISMA 77, 66 and CHARISMA 55 in different strength and quality carbon material levels.

Frame's Structural Elements

1. inner cable routing for both derailleur's and rear brake (ICR – Inner Cable Routing)
2. braze on type of direct FD mount
3. 86, 5 mm BB shell compatible with SHIMANO standard PF SM-BB91-41
4. possibility of mounting the SHIMANO Di2 battery either to the chain stay bottom edge or into the seat post
5. the conical head tube compatible with the 1.5" fork's tapered steerer tube for Drop In head sets
6. application of the stainless steel stickers directly to the frame's side wall on the chain stay and down tube to protect the frame tubes from chain's falling of the chainwheels
7. aerodynamically shaped front fork



AUTHOR ALLOY ROAD

AURA

Alloy AURA frame for more affordable road bikes has from the very beginning remade geometry compare to it's ancestor. The goal of this was to satisfy beginners and semi advanced road riders by giving them longer head tube, noticeable front triangle's slopping and shorter top tube. Which all cause little bit upright and so more comfortable sitting position. To get the lowest frame's weight we will use on all AURA models triple butted alloy 6061 material.

Frame's Structural Elements

1. the conical head tube compatible with the 1.5" fork's tapered steerer tube for Drop In head sets
2. noticeable front triangle's slopping
3. aerodynamically shaped front fork
4. model AURA 55 has fully carbon front fork, which means that steerer tube as well as the fork legs are composite

We offer this frame's platform in 6 sizes : 480, 500, 520, 540, 560 a 580 mm. Also here the frame size means length of the seat tube measured from BB center into S/T top.

AURA DISC

For model year 2016 we came with the modification of AURA's frame platform. This new upgraded version will be ready for road disc brakes and we will call it AURA DISC. Frame's geometry, which is made to satisfy beginners and semi advanced road riders, will remain the same as AURA's as well as frame sizes. But from now on customers will be able to enjoy mechanical road brakes on AURA 55 DISC supported by 12x100 front thru axle.

AURA XR

By making fork and frame's small changes on AURA DISC we have created new model AURA XR already last year, where XR means Cross Road (Cross shorted as X). This model is also equipped by disc brakes but will additionally have wider tires, particularly tire model Vittoria Terreno Dry 33 mm mm. It is kevlar tire with smaller knobs good for light off road terrain. The rear stay and also the fork's clearance will be ready for this kind of wider tire. Front fork is also newly on 12x100 front thru axle.



AUTHOR CR-MO GRAVEL BIKE KONCEPT

RONIN A RONIN SL

Adventure, overcoming oneself, a classical product in the form of a cromoly steel frame, wide tires, disc brakes and mainly fun... This is precisely the new bicycle category offered by the Ronin and newly RONIN SL gravel bicycles. Those 2 models should fulfilled your idea of modern, all purpose gravel bike on Cr-Mo frame, for no limit and boundaries' riding.

RONIN SL

This model is an upgrade of RONIN gravel bike, where the priority was to get lower weight of this bike (SL = Super Light). That's why we have used light weight Reynolds 725 frame tubes, and even used alloy rigid fork with 12x100 Thru axle to make the front part of the bike stiffer. Another weight reduction is made by using only 1x11 SRAM APEX including hydraulic disc brakes of the same model. And on the top of it are the wheel sets – MAVIC AKSIUM ALLROAD DISC combined with kevlar Ritchey tires of iconic model Speed Max 700 x 40 mm.

REYNOLDS CR 725 TB

Are Cr-Mo frame tubes using an industry standard steel alloy with mechanical properties similar to our famous 753 brand, Reynolds mandrel butt and heat-treat this alloy so that thinner walls can be used (down to 0.4 mm) compared to non-heat-treated steels, and so it is lower the frame's weight. 725 can be TIG welded.



| CHARISMA 77 |

FRAME	Author A carbon monocoque	BRAKES	Shimano Dura Ace
FORK	Author A carbon monocoque	WHEEL SET	Mavic Ksyrium Pro Exalith SL 25 WTS
CHAINWHEEL	Shimano Dura Ace (53-39 teeth), BB unit	TIRES	Mavic Yksion Pro SSC Kevlar 700 x 25c
REAR DERAILLEUR / SHIFTERS	Shimano Dura Ace, 22 speed	COLOR	Matte Carbon / Neon Yellow



| CHARISMA 66 |

FRAME	Author B carbon monocoque	BRAKES	Shimano Ultegra
FORK	Author B carbon monocoque	WHEEL SET	Mavic Ksyrium Elite WTS 25
CHAINWHEEL	Shimano Ultegra (52-36 teeth), BB unit	TIRES	Mavic Yksion Pro Kevlar 700 x 25c
REAR DERAILLEUR / SHIFTERS	Shimano Ultegra, 22 speed	COLOR	Author Red / White



SHIMANO
2x11



| CHARISMA 55 |

FRAME	Author B carbon monocoque	BRAKES	Shimano 105
FORK	Author C carbon monocoque	WHEEL SET	Mavic Ksyrium
CHAINWHEEL	Shimano 105 Compact (50-34 teeth), BB unit	TIRES	Vittoria Zaffiro Pro Kevlar 700 x 25c
REAR DERAILLEUR / SHIFTERS	Shimano 105, 22 speed	COLOR	Carbon / Andaman Blue



PHOTO: Jan Mocnák


SHIMANO
2x11

12x100

| AURA 55 DISC |

FRAME	triple butted alloy 6061	BRAKES	Shimano RS505 (140 mm), hydraulic
FORK	alloy 1.5" tapered	WHEEL SET	Mavic Aksium Disc
CHAINWHEEL	FSA Gossamer Compact MegaExo (50-34 teeth)	TIRES	Vittoria Zaffiro Pro Kevlar 700 x 28c
REAR DERAILLEUR / SHIFTERS	Shimano 105, 22 speed	COLOR	White / Racing Red / Silver


SHIMANO
2x11

| AURA 55 |

FRAME	triple butted alloy 6061	BRAKES	Tektro R313
FORK	Author C carbon	WHEEL SET	Mavic Aksium Elite
CHAINWHEEL	Shimano Compact (50-34 teeth)	TIRES	Vittoria Zaffiro Pro Kevlar 700 x 28c
REAR DERAILLEUR / SHIFTERS	Shimano 105, 22 speed	COLOR	Matte Black

SHIMANO
2x10

12x100

| AURA XR |

FRAME	triple butted alloy 6061	BRAKES	Rever MCX2 (160 mm), mechanical
FORK	carbon / alloy 1.5" tapered	TIRES	Vittoria Terreno Dry TNT 700 x 33c
CHAINWHEEL	Shimano Tiagra Compact (50-34 teeth), BB unit	COLOR	Black / Italian Sky / Silver
REAR DERAILLEUR / SHIFTERS	Shimano Tiagra, 20 speed		

SHIMANO
2x10

| AURA 44 |

FRAME	triple butted alloy 6061	BRAKES	Tektro R313
FORK	carbon / alloy 1.5" tapered	TIRES	Vittoria Zaffiro Pro Kevlar 700 x 28c
CHAINWHEEL	Shimano Tiagra Compact (50-34 teeth), BB unit	COLOR	Black / Racing Red / Silver
REAR DERAILLEUR / SHIFTERS	Shimano Tiagra, 20 speed		



| AURA 33 |

FRAME	triple butted alloy 6061	BRAKES	Tektro R313
FORK	alloy 1.5" tapered	TIRES	Vittoria Zaffiro 700 x 28c
CHAINWHEEL	Prowheel Duncce Compact (50-34 teeth)	COLOR	Black / Neon Yellow / Silver
REAR DERAILLEUR / SHIFTERS	Shimano Sora, 18 speed		



| AURA 22 |

FRAME	triple butted alloy 6061	BRAKES	Tektro R313
FORK	alloy	TIRES	Vittoria Zaffiro 700 x 28c
CHAINWHEEL	Prowheel Solid (52-42-30 teeth)	COLOR	White / Racing Red / Silver
REAR DERAILLEUR / SHIFTERS	Shimano A070 / A073, 21 speed		



WHEEL SET



12x100



| RONIN SL |

FRAME	triple butted cromoly Reynolds	BRAKES	SRAM Apex (160 mm), hydraulic
FORK	alloy	WHEEL SETS	Mavic Aksium Allroad Disc
CHAINWHEEL	SRAM Apex (44 teeth)	TIRES	Ritchey SpeedMax Kevlar 700 x 40c
REAR DERAILLEUR / SHIFTERS	SRAM Apex, 11 speed	COLOR	Star Silver / California Orange

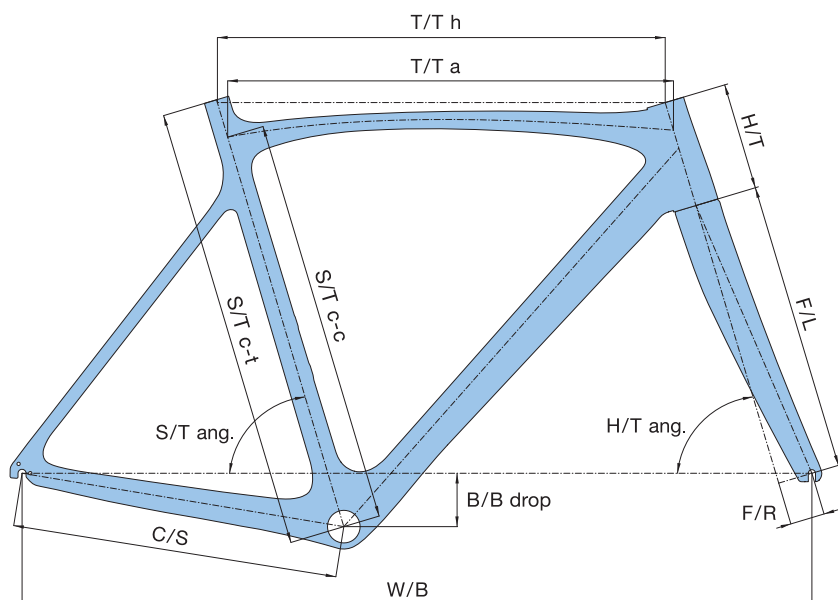


| RONIN |

FRAME	triple butted cromoly	BRAKES	Rever MCX2 (160 mm) mechanical
FORK	cromoly	TIRES	Ritchey SpeedMax Kevlar 700 x 40c
CHAINWHEEL	Shimano Tiagra (50-34 teeth), BB unit	COLOR	Star Red
REAR DERAILLEUR / SHIFTERS	Shimano Tiagra, 20 speed		

MODEL	CHARISMA 77	CHARISMA 66	CHARISMA 55	AURA 55 DISC	AURA 55	AURA XR
SIZE	520, 540, 560, 580, 600, 620 mm	520, 540, 560, 580, 600, 620 mm	520, 540, 560, 580, 600, 620 mm	500, 520, 540, 560 mm	480, 500, 520, 540, 560, 580 mm	480, 500, 520, 540, 560, 580 mm
FRAME	AUTHOR A carbon monocoque	AUTHOR B carbon monocoque	AUTHOR B carbon monocoque	triple butted alloy 6061	triple butted alloy 6061	triple butted alloy 6061
FRONT FORK	AUTHOR A carbon monocoque 1.5" tapered	AUTHOR B carbon monocoque 1.5" tapered	AUTHOR C carbon monocoque 1.5" tapered	AUTHOR alloy 1.5" tapered	AUTHOR carbon legs, alloy steerer 1.5" tapered	AUTHOR carbon legs, alloy steerer 1.5" tapered
HEAD PARTS	FSA Orbit C-40 1.5" tapered	FSA Orbit C-40 1.5" tapered	FSA Orbit C-40 1.5" tapered	PRESTINE Integrated 1.5" tapered	PRESTINE Integrated 1.5" tapered	PRESTINE Integrated 1.5" tapered
CHAINWHEEL	SHIMANO Dura Ace 53-39 teeth 170 / 172.5 / 175 / 177.5 mm cranks	SHIMANO Ultegra 52-36 teeth 170 / 172.5 / 175 mm cranks	SHIMANO 105 Compact 50-34 teeth 170 / 172.5 / 175 mm cranks	FSA Gossamer Compact MegaExo 50-34 teeth 170 / 172.5 / 175 mm cranks	SHIMANO Compact 50-34 teeth 170 / 172.5 / 175 mm cranks	SHIMANO Tiagra Compact 50-34 teeth 170 / 172.5 / 175 mm cranks
B.B. PARTS	SHIMANO BB-92 BB unit	SHIMANO BB-72 BB unit	SHIMANO BB-72 BB unit	FSA MegaExo	SHIMANO BB-RS500 BB unit	SHIMANO BB-RS500 BB unit
FRONT DERAILLEUR	SHIMANO Dura Ace	SHIMANO Ultegra	SHIMANO 105	SHIMANO 105 (31.8)	SHIMANO 105 (31.8)	SHIMANO Tiagra (31.8)
REAR DERAILLEUR	SHIMANO Dura Ace	SHIMANO Ultegra	SHIMANO 105	SHIMANO 105	SHIMANO 105	SHIMANO Tiagra
SHIFTERS	SHIMANO Dura Ace (22)	SHIMANO Ultegra (22)	SHIMANO 105 (22)	SHIMANO 105 (22)	SHIMANO 105 (22)	SHIMANO Tiagra (20)
FREEWHEEL	SHIMANO R9100 11-28 (11)	SHIMANO R8000 11-28 (11)	SHIMANO 5800 11-28 (11)	SHIMANO 5800 11-28 (11)	SHIMANO 5800 11-28 (11)	SHIMANO HG500-10 11-34 (10)
CHAIN	SHIMANO HG901	SHIMANO HG701	SHIMANO HG601	KMC X11 EL	KMC X11 EL	KMC X10-1
HUBS	MAVIC Ksyrium Pro Exalith SL 25 WTS wheel set 18 / 20 holes	MAVIC Ksyrium Elite 25 WTS wheel set 18 / 20 holes	MAVIC Ksyrium wheel set 20 holes	MAVIC Aksium Disc wheel set 24 / 24 holes	MAVIC Aksium Elite wheel set 20 holes	QUANDDO Road Disc 32 holes
BRAKES	SHIMANO Dura Ace	SHIMANO Ultegra	SHIMANO 105	SHIMANO RS505 disc hydraulic (140 mm rotors)	TEKTRO R313	REVER MCX2 disc mechanical (160 mm rotors)
BRAKE LEVERS	SHIMANO Dura Ace	SHIMANO Ultegra	SHIMANO 105	SHIMANO RS505	SHIMANO 105	SHIMANO Tiagra
RIMS	MAVIC Ksyrium Pro Exalith SL 25 WTS wheel set 18 / 20 holes	MAVIC Ksyrium Elite 25 WTS wheel set 18 / 20 holes	MAVIC Ksyrium wheel set 20 holes	MAVIC Aksium Disc wheel set 24 / 24 holes	MAVIC Aksium Elite wheel set 20 holes	JALCO CR250 32 holes
SPOKES	MAVIC	MAVIC	MAVIC	MAVIC	MAVIC	black stainless steel 2.0 mm
TIRES	MAVIC Yksion Pro SSC Griplink kevlar MAVIC Yksion Pro SSC Powerlink kevlar 700 x 25c	MAVIC Yksion Pro Griplink kevlar MAVIC Yksion Pro Powerlink kevlar 700 x 25c	VITTORIA Zaffiro Pro kevlar 700 x 25c	VITTORIA Zaffiro Pro kevlar 700 x 28c	VITTORIA Zaffiro Pro kevlar 700 x 28c	VITTORIA Terreno Dry TNT 700 x 33c
PEDALS	-	-	-	-	-	-
HANDLEBAR	RITCHEY SL Road Evo Curve carbon 420 / 440 mm	RITCHEY Stream II WCS Road 420 / 440 mm	RITCHEY Stream II Comp Road 420 / 440 mm	RITCHEY Stream II Comp Road 420 / 440 mm	RITCHEY Stream II Comp Road 420 / 440 mm	AUTHOR 420 / 440 mm
GRIPS / TAPES	AUTHOR microfiber / gel	AUTHOR microfiber / gel	AUTHOR microfiber / gel	AUTHOR suede / gel	AUTHOR suede / gel	AUTHOR suede / gel
STEM	RITCHEY WCS C220	RITCHEY WCS C220	RITCHEY Comp 4-Axis	RITCHEY Comp 4-Axis	RITCHEY Comp 4-Axis	AUTHOR
SEAT POST	RITCHEY SL Carbon (27.2)	RITCHEY WCS Carbon (27.2)	RITCHEY Comp Carbon (27.2)	RITCHEY Comp Carbon (27.2)	RITCHEY Comp Carbon (27.2)	AUTHOR (27.2)
SEAT CLAMP	AUTHOR (31.8)	AUTHOR (31.8)	AUTHOR (31.8)	AUTHOR (31.8)	AUTHOR (31.8)	AUTHOR (31.8)
SADDLE	PROLOGO Scratch 2	PROLOGO Scratch 2	PROLOGO Scratch 2 Space	PROLOGO Scratch 2 Space	PROLOGO Scratch 2 Space	AUTHOR Aura CR
SPEED	22	22	22	22	22	20
WEIGHT	6.7 kg / 58 cm	7.3 kg / 58 cm	8.2 kg / 58 cm	9.7 kg / 54 cm	8.8 kg / 54 cm	10.3 kg / 54 cm

MODEL	AURA 44	AURA 33	AURA 22	RONIN SL	RONIN
SIZE	500, 520, 540, 560 mm	480, 500, 520, 540, 560, 580 mm	480, 500, 520, 540, 560, 580 mm	480, 500, 520, 540, 560, 580 mm	480, 500, 520, 540, 560, 580 mm
FRAME	triple butted alloy 6061	triple butted alloy 6061	triple butted alloy 6061	triple butted cromoly REYNOLDS	triple butted cromoly
FRONT FORK	AUTHOR carbon legs, alloy steerer 1.5" tapered	AUTHOR alloy 1.5" tapered	AUTHOR alloy 1.5" tapered	alloy 700C	cromoly 700C
HEAD PARTS	PRESTINE Integrated 1.5" tapered	PRESTINE Integrated 1.5" tapered	PRESTINE Integrated 1.5" tapered	PRESTINE 1-1/8"	PRESTINE 1-1/8"
CHAINWHEEL	SHIMANO Tiagra Compact 50-34 teeth 170 / 172.5 / 175 mm cranks	PROWHEEL Ounce Compact 50-34 teeth 170 / 172.5 / 175 mm cranks	PROWHEEL SOLID 52-42-30 teeth 170 / 172.5 / 175 mm cranks	SRAM APEX 44 teeth 170 / 172.5 / 175 mm cranks	SHIMANO Tiagra Compact 50-34 teeth 170 / 172.5 / 175 mm cranks
B.B. PARTS	SHIMANO BB-RS500 BB unit	SHIMANO BB-UN26 cartridge	SHIMANO BB-UN26 cartridge	SRAM BB-6XP	SHIMANO BB-RS500 BB unit
FRONT DERAILLEUR	SHIMANO Tiagra (31.8)	SHIMANO Sora (31.8)	SHIMANO A073 (31.8)	-	SHIMANO Tiagra (28.6)
REAR DERAILLEUR	SHIMANO Tiagra	SHIMANO Sora	SHIMANO A070	SRAM APEX	SHIMANO Tiagra
SHIFTERS	SHIMANO Tiagra (20)	SHIMANO Sora (18)	SHIMANO A073(21)	SRAM APEX (11)	SHIMANO Tiagra (20)
FREEWHEEL	SHIMANO HG500-10 11-32 (10)	SHIMANO HG400-9 11-32 (9)	SHIMANO HG200-7 12-28 (7)	SRAM PG-1130 11-42 (11)	SHIMANO HG500-10 11-34 (10)
CHAIN	KMC X10-1	SHIMANO HG53	KMC Z51	SRAM CN-1110	KMC X10
HUBS	QUANDO Road 32 holes	QUANDO Road 32 holes	QUANDO Road 32 holes	MAVIC Aksium Allroad Disc wheel set 24 holes 12 x 100 mm thru front axle	QUANDO Road Disc 32 holes
BRAKES	TEKTRO R313	TEKTRO R313	TEKTRO R313	SRAM Apex disc hydraulic (160 mm rotors)	REVER MCX2 disc mechanical (160 mm rotors)
BRAKE LEVERS	SHIMANO Tiagra	SHIMANO Sora	SHIMANO	SRAM Apex	SHIMANO Tiagra
RIMS	JALCO MRX24 32 holes	JALCO MRX24 32 holes	JALCO MRX24 32 holes	MAVIC Aksium Allroad Disc wheel set 24 holes	JALCO CR250 32 holes
SPOKES	black stainless steel 2.0 mm	black stainless steel 2.0 mm	black stainless steel 2.0 mm	MAVIC	black stainless steel 1.8 mm
TIRES	VITTORIA Zaffiro Pro kevlar 700 x 28c	VITTORIA Zaffiro 700 x 28c	VITTORIA Zaffiro 700 x 28c	RITCHEY SpeedMax kevlar 700 x 40c	RITCHEY SpeedMax kevlar 700 x 40c
PEDALS	-	-	-	-	-
HANDLEBAR	AUTHOR 440 / 460 mm	AUTHOR 440 / 460 mm	AUTHOR 440 / 460 mm	RITCHEY Road EvoMax 440 / 460 mm	AUTHOR 420 / 440 mm
GRIPS / TAPES	AUTHOR suede / gel	AUTHOR suede / gel	AUTHOR suede / gel	AUTHOR suede / gel	AUTHOR suede / gel
STEM	AUTHOR	AUTHOR	AUTHOR	RITCHEY Comp 4-Axis	AUTHOR
SEAT POST	AUTHOR (27.2)	AUTHOR (27.2)	AUTHOR (27.2)	RITCHEY Comp (27.2)	AUTHOR (27.2)
SEAT CLAMP	AUTHOR (31.8)	AUTHOR (31.8)	AUTHOR (31.8)	AUTHOR (28.6)	AUTHOR (28.6)
SADDLE	AUTHOR Aura CR	AUTHOR Aura	AUTHOR Aura	AUTHOR Patriot	AUTHOR Patriot
SPEED	20	18	21	11	20
WEIGHT	9.4 kg / 54 cm	9.9 kg / 54 cm	10.4 kg / 54 cm	10.4 kg / 52 cm	11.7 kg / 52 cm



	S/T c-t	S/T c-c	T/T h	T/T a	H/T	C/S	W/B	S/T ang.	H/T ang.	F/L	B/B drop	B/B width	F/R
CHARISMA 77 * T 1.5" DI													
540	540	488	550	544	120	410	979	73.3	73.3	365	67	86.5	43
560	560	511	563	560	135	410	993	73.4	73.4	365	67	86.5	43
580	578	540	574	574	155	410	995	73.0	74.0	365	64	86.5	43
600	600	550	585	582	175	410	1005	73.0	74.0	365	64	86.5	43
CHARISMA 66 * T 1.5" DI / CHARISMA 55 * T 1.5" DI													
520	520	480	550	543	110	410	977	73.0	73.3	365	67	86.5	43
540	540	488	550	544	120	410	979	73.3	73.3	365	67	86.5	43
560	560	511	563	560	135	410	993	73.4	73.4	365	67	86.5	43
580	578	540	574	574	155	410	995	73.0	74.0	365	64	86.5	43
600	600	550	585	582	175	410	1005	73.0	74.0	365	64	86.5	43
620	620	580	591	590	195	410	1011	73.0	74.0	365	64	86.5	43
AURA 55 DISC * T 1.5" DI													
500	500	460	532	519	140	425	1000	74.2	71.8	373	71	68	45
520	520	480	542	529	155	425	1005	74.0	72.2	373	70	68	45
540	540	500	556	543	170	425	1014	73.7	72.5	373	70	68	45
560	560	520	570	556	185	425	1021	73.3	72.8	373	69	68	45
AURA 55 * T 1.5" DI / AURA 44 * T 1.5" DI / AURA 33 * T 1.5" DI / AURA 22 * T 1.5" DI													
480	480	440	525	512	125	410	982	74.5	71.5	373	72	68	45
500	500	460	532	519	140	410	985	74.2	71.8	373	71	68	45
520	520	480	542	529	155	410	990	74.0	72.2	373	70	68	45
540	540	500	556	543	170	410	998	73.7	72.5	373	70	68	45
560	560	520	570	556	185	410	1005	73.3	72.8	373	69	68	45
580	580	540	583	570	200	410	1014	73.0	73.0	373	68	68	45
GRAVEL BIKES													
AURA XR * T 1.5" DI													
480	480	440	525	509	125	425	999	74.5	71.5	400	72	68	45
500	500	460	532	515	140	425	1001	74.2	71.8	400	71	68	45
520	520	480	542	525	155	425	1006	74.0	72.2	400	70	68	45
540	540	500	556	538	170	425	1014	73.7	72.5	400	70	68	45
560	560	520	570	552	185	425	1021	73.3	72.8	400	69	68	45
580	580	540	583	564	200	425	1029	73.0	73.0	400	68	68	45
RONIN SL / RONIN													
480	480	440	515	500	110	425	999	74.5	70.8	408	65	68	45
500	500	460	528	515	110	425	1012	74.5	70.8	408	65	68	45
520	520	480	538	526	120	425	1021	74.5	71.0	408	65	68	45
540	540	500	545	532	135	425	1023	74.0	71.0	408	65	68	45
560	560	520	560	547	145	425	1028	73.5	71.5	408	65	68	45
580	580	540	570	558	155	425	1033	73.0	71.5	408	65	68	45

* t 1.5" DI - integrated head set 1.5" tapered DI

DI - Drop In

GEOMETRY TABLE LEGEND:

- S/T c-t - seat tube (center-top)
- S/T c-c - seat tube (center-center)
- T/T h - top tube horizontal
- T/T a - top tube actual
- H/T - head tube
- C/S - chain stay
- W/B - wheel base
- S/T ang. - seat tube angle
- H/T ang. - head tube angle
- F/L - fork length
- B/B drop - bottom bracket drop
- B/B width - bottom bracket width
- F/R - fork rake

Recommended frame size to the body height for each model you can find on our web site www.author.eu



FSX

DH | ENDURO | XC | TRAIL

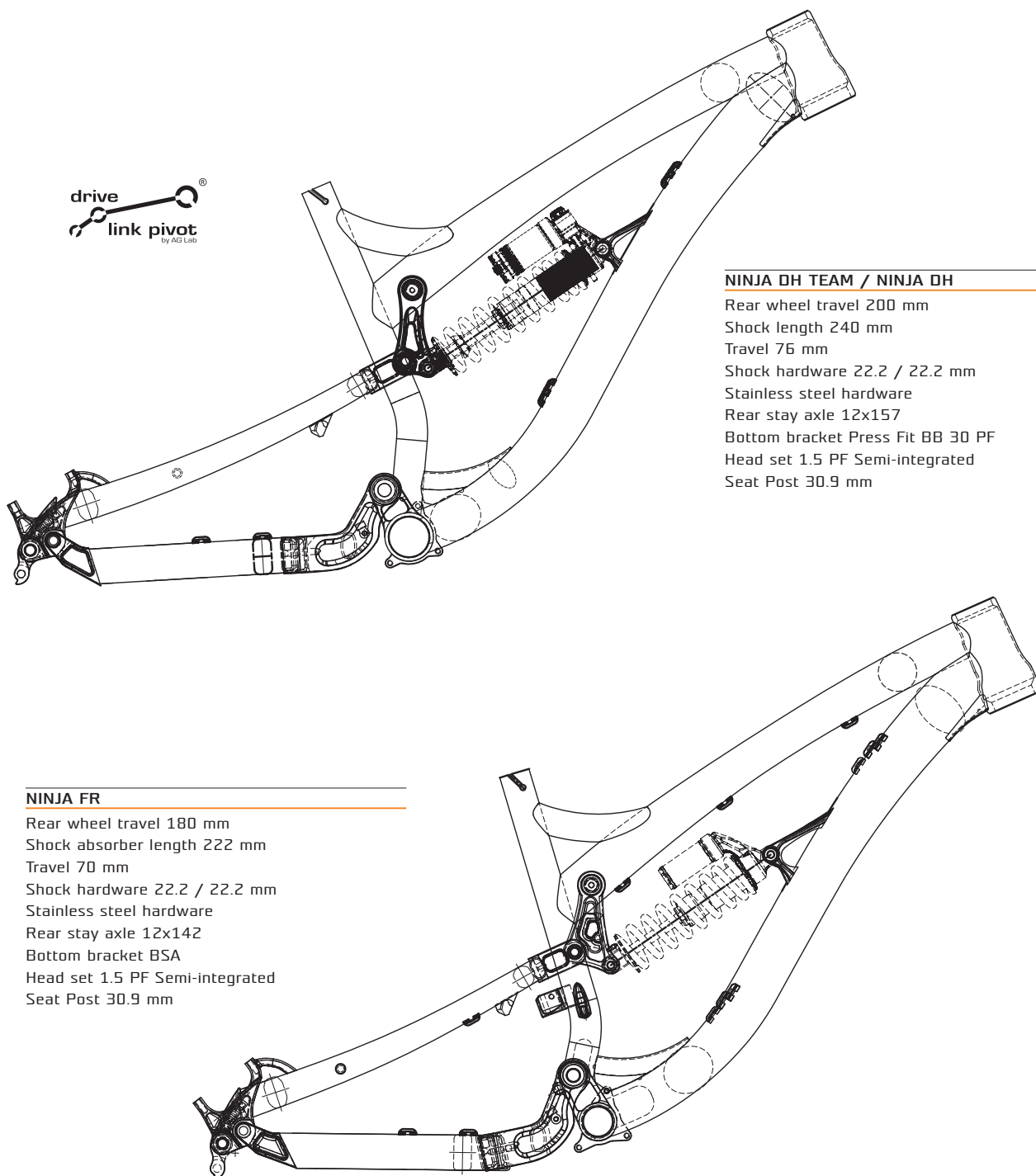
COLLECTION 2018

NINJA DH AND NINJA FR SUSPENSION SYSTEM OF FRAME PLATFORM

The NINJA DH / DH TEAM and NINJA FR represent the model series designed for downhill, freeride and bikepark riding. The foundation is a very low = playful frame (NINJA DH / DH TEAM models on 27.5" and NINJA FR on 26" wheels) with original geometry developed for extreme riding. The rear wheel suspension uses proprietary four-pivot technology, the DLP® (Drive Link Pivot®).

Both model series use a top linkage with forward travel and an almost horizontal shock absorber position. This design achieves high shockabsorbing performance even for minor vibrations as well as progressive hardening of the shock absorber towards the end (the last 20%) of the rear wheel travel. Besides being sensitive even while braking, the DLP® suspension of the rear triangle is characterised by minimal pedal kickback (when the cranks kick back during the shock absorber compression) and chain length extension or reduction.

Another advantage of DLP® is a set up of shock absorber with much lower air pressure or the use of softer springs. However, it almost eliminated the use of external functions of shock absorber to increase their own compression as Propedal and others like it – especially true when pedaling seated.



NINJA DH TEAM / NINJA DH

Rear wheel travel 200 mm
Shock length 240 mm
Travel 76 mm
Shock hardware 22.2 / 22.2 mm
Stainless steel hardware
Rear stay axle 12x157
Bottom bracket Press Fit BB 30 PF
Head set 1.5 PF Semi-integrated
Seat Post 30.9 mm

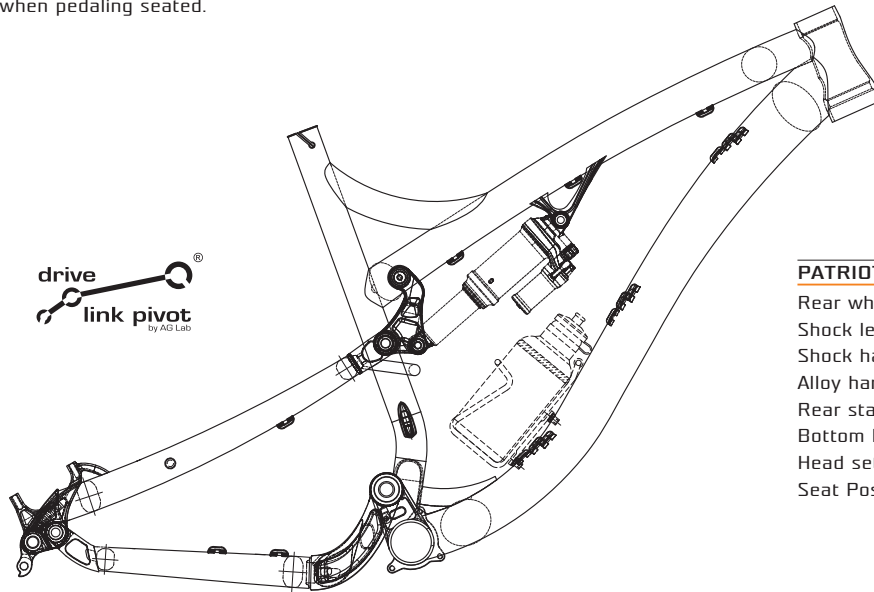
NINJA FR

Rear wheel travel 180 mm
Shock absorber length 222 mm
Travel 70 mm
Shock hardware 22.2 / 22.2 mm
Stainless steel hardware
Rear stay axle 12x142
Bottom bracket BSA
Head set 1.5 PF Semi-integrated
Seat Post 30.9 mm

PATRIOT SUSPENSION SYSTEM OF FRAME PLATFORM

The PATRIOT model series in its third generation offers a complete range of bicycles that follows the newest requirements based on the riding style – trail, enduro and newly all mountain. Its platform is the frame (designed for 27.5" wheels), using proprietary four-pivot technology, the DLP® (Drive Link Pivot®), with original frame geometry developed for trail and enduro style of riding. The linkage and pivot positions shift the "virtual pivot" of the suspension high above the pedal centre, thus reducing the rear triangle swaying when pedaling. This results in an optimum ratio between sensitivity to bumps and adequate elimination of the impact of pedaling on the rear triangle swaying. Besides being sensitive even while braking, the DLP® suspension of the rear triangle is characterised by minimal pedal kickback (when the cranks kick back during the shock absorber compression) and chain length extension or reduction.

Another advantage of DLP® is a set up of shock absorber with much lower air pressure or the use of softer springs. However, it almost eliminated the use of external functions of shock absorber to increase their own compression as Propedal and others like it – especially true when pedaling seated.



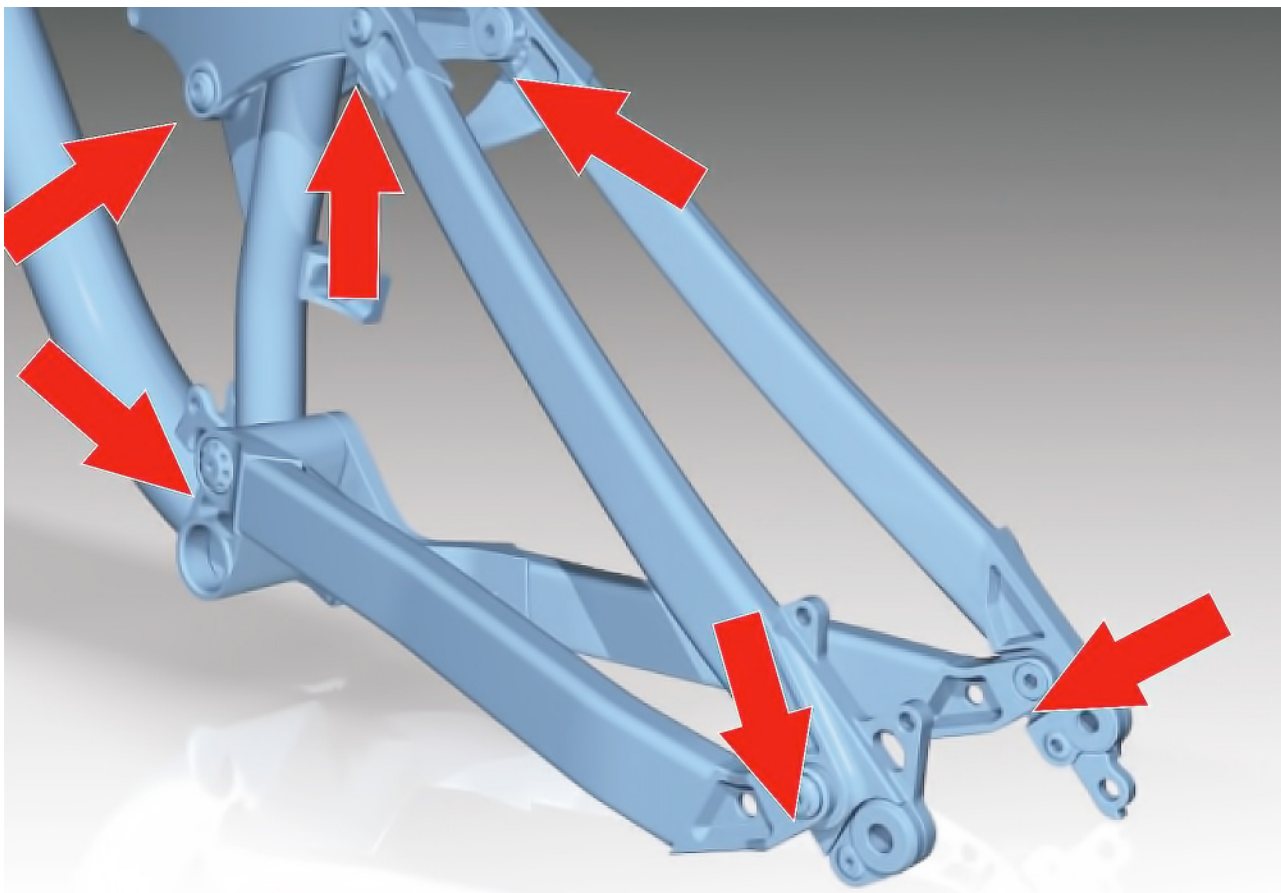
PATRIOT EVO TEAM / EVO

Rear wheel travel 160 mm
 Shock length 216 mm / travel 63 mm
 Shock hardware 22.2 / 22.2 mm
 Alloy hard anodized hardware
 Rear stay axle 12x142
 Bottom bracket Press Fit BB 30
 Head set 1.5 PF Semi-integrated
 Seat Post 30.9 mm

PATRIOT EVO TEAM / EVO

Cr-Mo STAINLESS STEEL CONNECTING PARTS

Function and lifetime of full suspension systems depend on the details. That's why the AUTHOR brand-top models use a connecting parts made from cromoly stainless steel. The quality material of all pivots, bolts and spacers increases the utility value of the complete bike several times. And, it the same time it reduces maintenance costs.



A-RAY FRAME PLATFORM'S SUSPENSION SYSTEM

For model year of 2018 we are coming again with the offer of full suspension bikes in the category of Cross Country (XC) and Trail. We have designed frame platform, which we have named again as A-RAY and so we are coming 4 years back, where this name presented XC marathon bike on 26" wheels with 100 mm rear stay travel.

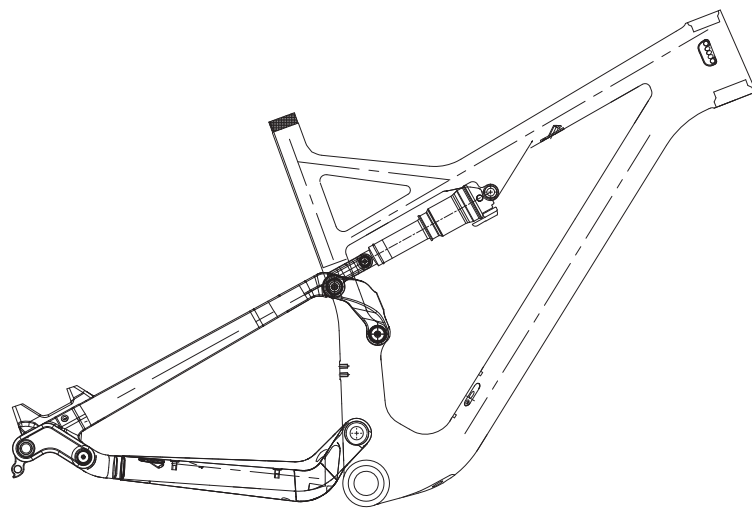
But the things are moving, the same like the bikes and so that's why both of 2 bikes will be on 29" wheels. They are called: A-RAY 29 TEAM (on carbon frame), or A-RAY 29 (on alloy frame) and both of them will have again 100 mm rear stay travel at disposal. Those 2 XC 29" bikes are ensembled by Trail bike A-RAY, which will be on 27.5" wheels and rear stay will move in 130 mm.

A-RAY FRAME PLATFORM'S SUSPENSION SYSTEM

The frame suspension is using classic 4-pivot system, so called Horst Link with the main pivot mounted through the seat tube and rear stay pivot positioned in front and below rear wheel axle. This rear stay design is just perfect technical solution for XC and Trail fully suspended bikes, because due to this kinematic the rear stay doesn't move by itself and so the frame is not losing the energy from the pedaling. This frame kinematic feature is supported by appropriate choice of the rear shocks included their set up, so called "tuning" which was made exactly for those 3 bike models.

Frame itself is compatible with all new and modern standards, which are being used these days in modern XC MTB, so it is ready for Boost rear hub 12x148 mm, front derailleur Direct Mount Side Swing, Press Fit BB 92PF, 1.5" tapered head tube and also frame inner cable routing for both derailleurs and rear hydraulic brake is a commonplace. The entire frame technical specification and drawing for all 3 frames are shown below.

All 3 frames were designed in the cooperation with Swiss Design and Engineering company ICTM AG, which is focused especially on those 2 suspension bike categories. We really hope that you will be really happy with this result of our cooperation.

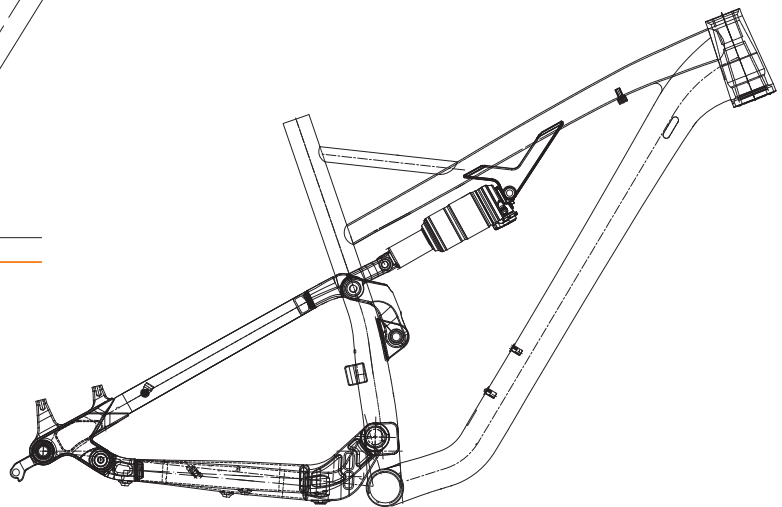


A-RAY 29 TEAM

Rear wheel travel 100 mm
Shock length 184 mm / travel 44 mm
Leverage ratio 2.3
Shock hardware 8x22.2 / 22.2 mm
Rear axle Boost 12x148
BB shell Press Fit BB 92 PF
Head set 1.5" Drop In
Front derailleur Direct Mount Side Swing
Seat post 31.6 mm

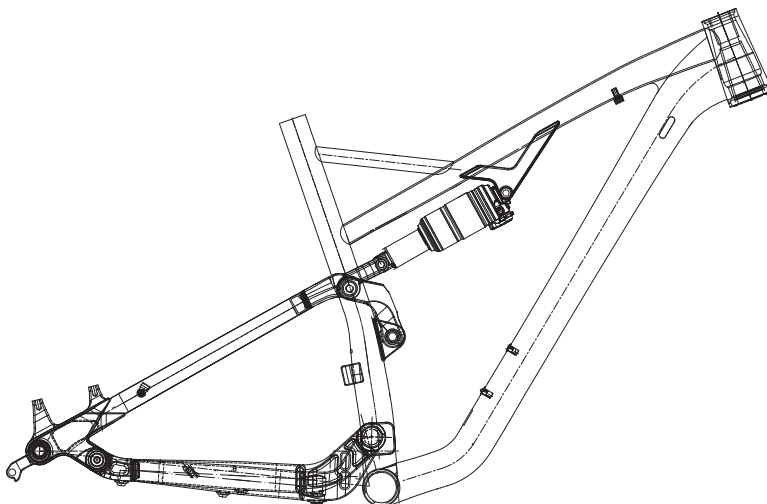
A-RAY 29

Rear wheel travel 101 mm
Shock length 184 mm / travel 44 mm
Leverage ratio 2.3
Shock hardware 8x22.2 / 22.2 mm
Rear axle Boost 12x148
BB shell Press Fit BB 92 PF
Head set 1.5" Drop In
Front derailleur Direct Mount Side Swing
Seat post 31.6 mm



A-RAY

Rear wheel travel 133 mm
Shock length 200 mm / travel 51 mm
Leverage ratio 2.6
Shock hardware 8x22.2 / 22.2 mm
Rear axle Boost 12x148
BB shell Press Fit BB 92 PF
Head set 1.5" Drop In
Front derailleur Direct Mount Side Swing
Seat post 31.6 mm





12x157



SHIMANO 1x10

20x110



| NINJA DH TEAM |

FRAME	alloy 6061 27" (200 mm travel)	REAR DERAILLEUR / SHIFTERS	Shimano Saint, 10 speed
REAR SHOCKER	FOX Float X2 Kashima, (240 / 76 mm)	BRAKES	Shimano Saint (8")
FORK	FOX 40-K Float 27.5 Kashima, 20 mm axle, 1.5" taper, (200 mm travel)	TIRES	Maxxis Griffin Kevlar 27.5" x 2.40"
CHAINWHEEL	E13 LG1+ Race (36 teeth)	COLOR	Matte Black / HP Silver



12x157



SHIMANO 1x10

20x110



| NINJA DH |

FRAME	alloy 6061 27" (200 mm travel)	REAR DERAILLEUR / SHIFTERS	Shimano Zee, 10 speed
REAR SHOCKER	ROCK SHOX Kage RC (240 / 76 mm)	BRAKES	Shimano Zee (8")
FORK	ROCK SHOX Boxxer RC 27, 20 mm axle (200 mm travel)	TIRES	Maxxis High Roller II 27.5" x 2.40"
CHAINWHEEL	Shimano Zee (36 teeth)	COLOR	Matte Phantom Black / Glossy Racing Red



12x142

20x110



| NINJA FR |

FRAME	alloy 6061 26" (180 mm travel)	REAR DERAILLEUR / SHIFTERS	Sram X7 / X5 Trigger, 9 speed
REAR SHOCKER	X-Fusion Vector R (222 / 70 mm)	BRAKES	TRP Slate 4 (8" / 7")
FORK	RST Storm Super, 20 mm axle, 1.5" tapered (180 mm travel)	TIRES	Maxxis High Roller II 26" x 2.40"
CHAINWHEEL	Truvativ Hussefelt 1.0 (34 teeth)	COLOR	Matte Black / Glossy Black



PHOTO: Dušan Mánek



12x142



SHIMANO
1x11

Boost 15x110



| PATRIOT EVO TEAM |

FRAME	double butted alloy 6061 27.5" (160 mm travel)	BRAKES	TRP Quadiem (8")
REAR SHOCKER	FOX X F-S 3 pos Kashima, (216 / 63 mm)	TIRES	Maxxis High Roller II, tubeless ready 27.5" x 2.30"
FORK	FOX 36-K Float 27.5 Kashima, 15 mm axle, 1.5" tapered (160 mm travel)	SEAT POST	Kind Shock Levi, remote control
CHAINWHEEL	E13 TRS+ (32 teeth)	COLOR	Author Red / Black
REAR DERAILLEUR / SHIFTERS	Shimano XT "clutch" / XT, 11 speed		



12x142



SRAM
1x11

Boost 15x110



| PATRIOT EVO |

FRAME	double butted alloy 6061 27.5" (160 mm travel)	BRAKES	TRP Slate 4 (7")
REAR SHOCKER	ROCK SHOX Monarch RL HVI (216 / 63 mm)	TIRES	Maxxis High Roller II, tubeless ready 27.5" x 2.30"
FORK	RST Rogue Air, 15 mm axle, 1.5" tapered (160 mm travel)	SEAT POST	Kind Shock E30i, remote control
CHAINWHEEL	SRAM GX-1001 (32 teeth)	COLOR	Matte Black / Glossy Racing Red
REAR DERAILLEUR / SHIFTERS	SRAM GX-1, 11 speed		

SHIMANO
2x11

MAVIC
WHEEL SET

Boost 12x148

Boost 15x110



| A-RAY 29 TEAM |

FRAME	Author High modulus carbon T-800 monocoque 29", (100 mm travel)	BRAKES	Shimano XT (7")
REAR SHOCKER	Fox Float DPS, (184 / 44 mm)	WHEEL SETS	Mavic Crossmax Pro 29 UST
FORK	Fox 32 Float SC 29 Remote, 15 mm axle, 1.5" tapered, (100 mm travel)	TIRES	Vittoria Barzo Kevlar TNT 29" x 2.10"
CHAINWHEEL	Shimano XT (38-28 teeth)	COLOR	Matte Carbon / Neon yellow
REAR DERAILLEUR / SHIFTERS	Shimano XT "clutch" / XT, 22 speed		

SHIMANO
2x11

MAVIC
WHEEL SET

Boost 12x148

15x100



| A-RAY 29 |

FRAME	double butted alloy 6061 29", (100 mm travel)	BRAKES	Shimano Deore (7")
REAR SHOCKER	Rock Shox Monarch RL HVI (184 / 44 mm)	WHEEL SETS	Mavic XA 29
FORK	ROCK SHOX Recon Gold RL Remote 29 15 Solo Air, 15 mm axle, 1.5" tapered (100 mm travel)	TIRES	Vittoria Barzo Kevlar 29" x 2.25"
CHAINWHEEL	Shimano SLX (38-28 teeth)	COLOR	Matte Black / Racing Red
REAR DERAILLEUR / SHIFTERS	Shimano SLX, 22 speed		

SHIMANO
2x11

MAVIC
WHEEL SET

Boost 12x148

Boost 15x110



| A-RAY |

FRAME	double butted alloy 6061 27.5", [130 mm travel]
REAR SHOCKER	Rock Shox Monarch RL HVI [200 / 51 mm]
FORK	ROCK SHOX Recon Gold RL Remote 27 15 Solo Air, 15 mm axle, 1.5" tapered [130 mm travel]
CHAINWHEEL	Shimano SLX (Boost 36-26 teeth)
REAR DERAILLEUR / SHIFTERS	Shimano SLX, 22 speed

BRAKES	Shimano Deore [7"]
WHEEL SETS	Mavic XA 27.5
TIRES	Vittoria Barzo Kevlar 27.5" x 2.25"
SEAT POST	Kind Shock E30i, remote control
COLOR	Matte Black / Racing Red

Boost 12x148

Boost 15x110

SRAM
1x11



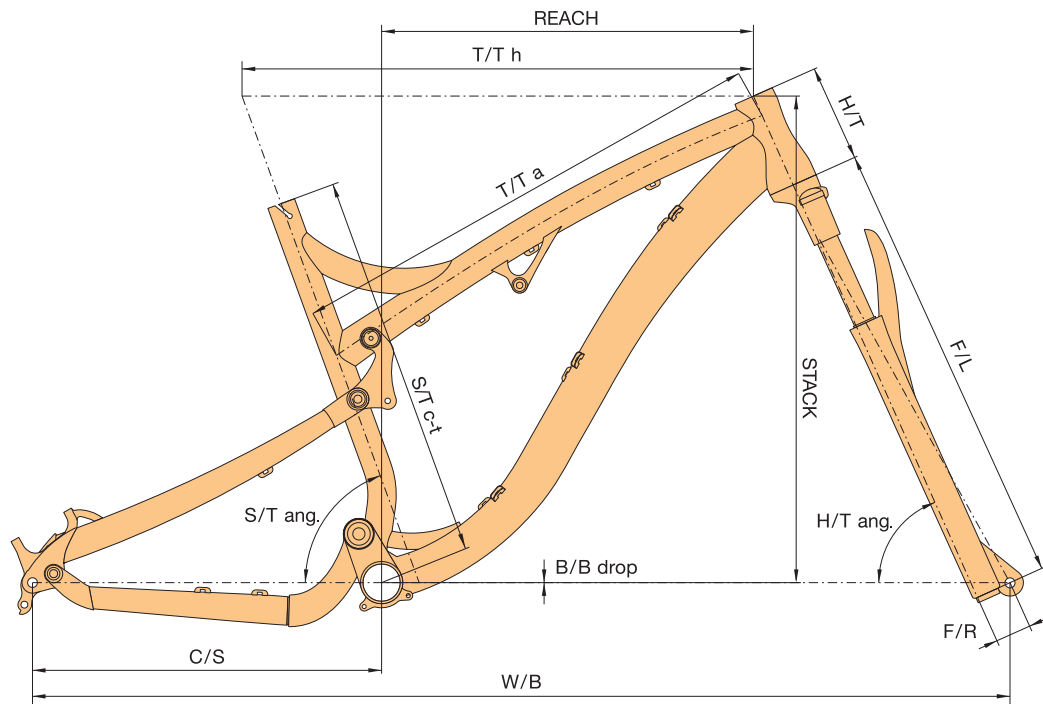
| VERSUS |

FRAME	hydroformed double butted alloy 6061 27.5"
FORK	RST F1RST 27.5+ 15, 15 mm axle, 1.5" tapered [140 mm travel]
CHAINWHEEL	SRAM NX-1 [32 teeth]
REAR DERAILLEUR / SHIFTERS	SRAM NX-1, 11 speed

BRAKES	TRP Slate 4 [7"]
TIRES	Maxxis Rekon+ Kevlar, tubeless ready 27.5" x 2.80"
COLOR	Matte Black

MODEL	NINJA DH TEAM	NINJA DH	NINJA FR	PATRIOT EVO TEAM	PATRIOT EVO
SIZE	S, M, L	S, M, L	S, M, L	S, M, L, XL	S, M, L, XL
FRAME	alloy 6061 27.5" air shocker FOX Float X2 F-2 Kashima 240 / 76 mm (rear travel 200 mm)	alloy 6061 27.5" coil shocker ROCK SHOX Kage RC 240 / 76 mm (rear travel 200 mm)	alloy 6061 26" spring shocker X-FUSION Vector R 222 / 70 mm (rear travel 180 mm)	double butted alloy 6061 27.5" air shocker FOX X-F-S 3pos Kashima 216 / 63 mm (rear travel 160 mm)	double butted alloy 6061 27.5" air shocker ROCK SHOX Monarch RL HVI 216 / 63 mm (rear travel 160 mm)
FRONT FORK	FOX 40-K Float 27.5 Kashima air, lock out 20 mm thru axle 1.5" tapered steerer (200 mm)	ROCK SHOX Boxxer RC 27 coil 20 mm thru axle (200 mm)	RST Storm Super oil 20 mm thru axle 1.5" tapered steerer (180 mm)	FOX 36-K Float 27.5 Kashima air, lock out 15 mm thru axle 1.5" tapered steerer (160 mm)	RST Rogue Air air, lock out 15 mm thru axle 1.5" tapered steerer (160 mm)
HEAD PARTS	PRESTINE 1.5" tapered	PRESTINE 1.5" tapered	PRESTINE 1.5" tapered	PRESTINE Integrated 1.5" tapered	PRESTINE Integrated 1.5" tapered
CHAINWHEEL	E13 LG1+ Race 36 teeth 165 mm cranks	SHIMANO Zee 36 teeth 165 mm cranks	TRUVATIV Hussefelt 1.0 34 teeth 170 mm cranks	E13 TRS+ 32 teeth 170 / 175 mm cranks	SRAM GX-1001 32 teeth 170 / 175 mm cranks
B.B. PARTS	E13 LG1+ Race BB30 PF	BB adapter	TRUVATIV Howitzer	E13 TRS+ BB30 PF	E13 TRS+ BB30 PF
FRONT DERAILLEUR	E13 chain guide	E13 chain guide	E13 chain guide	E13 chain guide	E13 chain guide
REAR DERAILLEUR	SHIMANO Saint	SHIMANO Zee	SRAM X7	SHIMANO XT "clutch"	SRAM GX-1
SHIFTERS	SHIMANO Saint (10)	SHIMANO Zee (10)	SRAM X5 Trigger (9)	SHIMANO XT (11)	SRAM GX-1 (11)
FREEWHEEL	SHIMANO 5700 11-25 (10)	SHIMANO 5700 11-25 (10)	SRAM PG-950 11-32 (9)	SHIMANO M8000 11-46 (11)	SRAM PG1130 11-42 (11)
CHAIN	KMC DLC black	KMC X10	KMC X9	SHIMANO HG601	SRAM CN-1100
HUBS	AUTHOR Argon 20 / Argon 12 20 mm front thru axle 12 x 157 mm rear thru axle 32 holes	AUTHOR Argon 20 / Argon 12 20 mm front thru axle 12 x 157 mm rear thru axle 32 holes	AUTHOR Argon 20 / Krypton 12 20 mm front thru axle 12 x 142 mm rear thru axle 32 holes	AUTHOR Xenon 15+ / Krypton 12 boost 15 x 110 mm front thru axle 12 x 142 mm rear thru axle 32 holes	AUTHOR Helium 15 / Krypton 12 15 x 100 mm front thru axle 12 x 142 mm rear thru axle 32 holes
BRAKES	SHIMANO Saint disc hydraulic (8" rotors)	SHIMANO Zee disc hydraulic (8" rotors)	TRP Slate 4 disc hydraulic (8" / 7" rotors)	TRP Quadiem disc hydraulic (8" rotors)	TRP Slate 4 disc hydraulic (7" rotors)
BRAKE LEVERS	SHIMANO Saint	SHIMANO Zee	TRP Slate 4	TRP Quadiem	TRP Slate 4
RIMS	SPANK Spike Race 33 Bead Bite 32 holes	AG Lab Reverse 32 holes	AG Lab Reverse 32 holes	SPANK Dozy Trail 295 Bead Bite 32 holes	SPANK Dozy Trail 295 Bead Bite 32 holes
SPOKES	black stainless steel butted front 1.8 / 2.0 mm rear 2.0 / 2.3 mm	black stainless steel butted front 1.8 / 2.0 mm rear 2.0 / 2.3 mm	black stainless steel 2.3 mm	black stainless steel 2.3 mm	black stainless steel 2.3 mm
TIRES	MAXXIS Griffin kevlar 27.5" x 2.40"	MAXXIS High Roller II kevlar 27.5" x 2.40"	MAXXIS High Roller II kevlar 26" x 2.40"	MAXXIS High Roller II kevlar 27.5" x 2.30"	MAXXIS High Roller II kevlar 27.5" x 2.30"
PEDALS	HT platform replaceable pins	HT platform replaceable pins	AG Lab platform alloy replaceable pins	HT platform replaceable pins	HT platform
HANDLEBAR	SPANK 800 Race Vibrocure 15 / 30 mm 800 mm	SPANK Spoon 785 20 mm 785 mm	AG Lab alloy 30 mm 780 mm	SPANK Dozy Vibrocure 15 mm 760 mm	SPANK Dozy Trail 15 mm 760 mm
GRIPS/ TAPES	AG Lab GripLock	AG Lab GripLock	AG Lab GripLock	AG Lab GripLock	AG Lab GripLock
STEM	SPANK Spike 25 / 30 DM	SPANK Spike 25 / 30 DM	AG Lab alloy	SPANK Spike Race	AG Lab alloy
SEAT POST	AG Lab alloy (30.9)	AG Lab alloy (30.9)	AG Lab alloy (30.9)	KIND SHOCK LEVI remote control adjustable (30.9)	KIND SHOCK E30i remote control adjustable (30.9)
SEAT CLAMP	AG Lab (34.9)	AG Lab (34.9)	AG Lab (34.9)	AG Lab (34.9)	AG Lab (34.9)
SADDLE	AUTHOR Genius CR	AG Lab Throne DH / FR	AG Lab Throne DH / FR	AUTHOR Genius CR	AUTHOR Patriot
SPEED	10	10	9	11	11
WEIGHT	16.7 kg / M	18.8 kg / M	19.2 kg / M	15.5 kg / M	15.3 kg / M

MODEL	A-RAY 29 TEAM	A-RAY 29	A-RAY	VERSUS
SIZE	17.5", 19", 21"	17.5", 19", 21"	17.5", 19", 21"	15", 17", 19", 21"
FRAME	High modulus carbon T-800 monocoque 29" air shocker FOX Float DPS 184 / 44 mm (rear travel 100 mm)	double butted alloy 6061 29" air shocker ROCK SHOX Monarch RL HVI 184 / 44 mm (rear travel 100 mm)	double butted alloy 6061 27.5" air shocker ROCK SHOX Monarch RL HVI 200 / 51 mm (rear travel 130 mm)	hydroform double butted alloy 27.5"
FRONT FORK	FOX Float SC 29 100 Remote air, lock out 15 mm thru axle 1.5" tapered steerer (100 mm)	ROCK SHOX Recon Gold RL Remote 29 15 Solo Air air, lock out 15 mm thru axle 1.5" tapered steerer (100 mm)	ROCK SHOX Recon Gold RL Remote 27 15 Solo Air air, lock out 15 mm thru axle 1.5" tapered steerer (130 mm)	RST FIRST 27.5+ 15 air, lock out 15 mm thru axle 1.5" tapered steerer (140 mm)
HEAD PARTS	PRESTINE Integrated 1.5" tapered	PRESTINE Integrated 1.5" tapered	PRESTINE Integrated 1.5" tapered	PRESTINE 1.5" tapered
CHAINWHEEL	SHIMANO XT 38-28 teeth 170 / 175 mm cranks	SHIMANO SLX 36-26 teeth 170 / 175 mm cranks	SHIMANO SLX 36-26 teeth 170 / 175 mm cranks	SRAM NX-1 32 teeth 170 / 175 mm cranks
B.B. PARTS	SHIMANO BB-MT800 PF type	SHIMANO BB-MT800 PF type	SHIMANO BB-MT800 PF type	Prestine BB 86 / 92
FRONT DERAILLEUR	SHIMANO XT direct mount	SHIMANO SLX direct mount	SHIMANO SLX direct mount	-
REAR DERAILLEUR	SHIMANO XT "clutch"	SHIMANO SLX	SHIMANO SLX	SRAM NX-1
SHIFTERS	SHIMANO XT (22)	SHIMANO SLX (22)	SHIMANO SLX (22)	SRAM NX-1 (11)
FREEWHEEL	SHIMANO M8000 11-42 (11)	SHIMANO M7000-11 11-42 (11)	SHIMANO M7000-11 11-42 (11)	SRAM PG1130 11-42 (11)
CHAIN	SHIMANO HG701	SHIMANO HG601	SHIMANO HG601	SRAM CN-1100
HUBS	MAVIC Crossmax Pro 29 wheel set 24 holes boost 15 x 110 mm thru front axle boost 12 x 148 mm thru rear axle	MAVIC XA 29 wheel set 24 holes boost 15 x 110 mm thru front axle boost 12 x 148 mm thru rear axle	MAVIC XA 27.5 wheel set 24 holes boost 15 x 110 mm thru front axle boost 12 x 148 mm thru rear axle	AUTHOR Xenon 15+ / Krypton 12+ Boost 15 x 110 mm front thru axle Boost 12 x 148 mm rear thru axle 32 holes
BRAKES	SHIMANO XT disc hydraulic (7" rotors)	SHIMANO Deore disc hydraulic (7" rotors)	SHIMANO Deore disc hydraulic (7" rotors)	TRP Slate 4 disc hydraulic (7" rotors)
BRAKE LEVERS	SHIMANO XT	SHIMANO Deore	SHIMANO Deore	TRP Slate 4
RIMS	MAVIC Crossmax Pro 29 wheel set 24 holes	MAVIC XA 29 wheel set 24 holes	MAVIC XA 27.5 wheel set 24 holes	AUTHOR Krypton Plus 27.5 32 holes
SPOKES	MAVIC	MAVIC	MAVIC	black stainless steel 2.0 mm
TIRES	VITTORIA Barzo TNT kevlar 29" x 2.10" tubeless ready	VITTORIA Barzo kevlar 29" x 2.25"	VITTORIA Barzo kevlar 27.5" x 2.25"	MAXXIS Rekon+ kevlar 27.5" x 2.80" tubeless ready
PEDALS	-	-	-	HT platform
HANDLEBAR	RITCHEY WCS Flat 10° 9° 700 mm	RITCHEY 2x9 Trail 9° 700 mm	RITCHEY MTN Rizer Trail 20 mm 9° 710 / 740 mm	AG Lab alloy 15 mm 760 mm
GRIPS / TAPES	AUTHOR Pro Lock	AUTHOR Pro Lock	AUTHOR Pro Lock	AG Lab GripLock
STEM	RITCHEY WCS C220	RITCHEY Comp 4-Axis	RITCHEY Trail	AG Lab alloy
SEAT POST	RITCHEY WCS Carbon (31.6)	RITCHEY Comp (31.6)	KIND SHOCK E30i remote control adjustable (31.6)	RST Elev 8 remote control adjustable (30.9)
SEAT CLAMP	AUTHOR (34.9)	AUTHOR (34.9)	AUTHOR (34.9)	AG Lab (34.9)
SADDLE	PROLOGO X Zero II Tirox	PROLOGO Nago Evo X10	AUTHOR Patriot	AUTHOR Patriot
SPEED	22	22	22	11
WEIGHT	10.9 kg / 19"	13.4 kg / 19"	13.7 kg / 19"	14.8 kg / 19"



	S/T c-t	T/T h	T/T a	H/T	C/S	W/B	S/T ang.	H/T ang.	F/L	B/B drop	B/B width	F/R	REACH	STACK
NINJA DH TEAM / NINJA DH * T 1.5" PF														
S (15,5")	395	590	560	120	445	1190	67.0	64.0	581	-5	83*	48	402	605
S (15")	381	600	575	110	430	1170	74.0	66.0	550	0	73*	42	422	605
M (17")	432	620	595	120	430	1191	74.0	66.0	550	0	73*	42	438	605
NINJA FR * T 1.5" PF														
S (15")	380	560	570	120	430	1158	73.0	66.0	560	-25	73	43	408	589
M (16")	409	580	585	120	430	1178	73.0	66.0	560	-25	73	43	428	589
L (17")	435	600	604	125	430	1199	73.0	66.0	560	-25	73	43	447	594
PATRIOT EVO TEAM / PATRIOT EVO * T 1.5" PF														
M (17")	432	620	595	120	430	1191	74.0	66.0	550	0	73*	42	448	599
L (19")	483	640	615	120	430	1211	74.0	66.0	550	0	73*	42	468	599
XL (21")	533	655	625	130	430	1227	74.0	66.0	550	0	73*	42	481	609
A-RAY 29 TEAM * T 1.5" DI														
17.5"	445	580	548	105	440	1120	74.5	68.8	501	45	92	51	416	591
19"	483	600	563	115	440	1141	74.5	68.8	501	45	92	51	433	601
21"	533	630	586	125	440	1172	74.5	68.8	501	45	92	51	461	610
A-RAY 29 * T 1.5" DI														
17.5"	445	580	550	105	440	1123	74.7	68.5	501	46	92	51	418	593
19"	483	600	568	115	440	1141	74.3	68.5	501	46	92	51	433	602
21"	533	630	594	125	440	1171	74.3	68.5	501	46	92	51	459	611
A-RAY * T 1.5" DI														
17.5"	445	577	550	110	435	1133	74.8	67.5	517	21	92	44	418	583
19"	483	597	566	120	435	1152	74.5	67.5	517	21	92	44	433	592
21"	533	628	595	135	435	1183	74.4	67.5	517	21	92	44	459	606
VERSUS * T 1.5" DI														
15"	381	590	571	110	425	1131	71.5	66.0	520	45	92	51	404	603
17"	432	615	587	115	425	1156	71.5	66.0	520	45	92	51	427	607
19"	483	630	606	120	425	1172	71.5	66.0	520	45	92	51	441	611
21"	533	645	619	130	425	1188	71.5	66.0	520	45	92	51	453	621

* t 1.5" DI - integrated head set 1.5" tapered DI
 * t 1.5" PF - semiintegrated head set 1.5" tapered PF
 B/B width 73* - BB30 PF
 B/B width 83* - BB30 PF

DI - Drop In
 PF - Press Fit

GEOMETRY TABLE LEGEND:

- S/T c-t - seat tube (center-top)
- T/T h - top tube horizontal
- T/T a - top tube actual
- H/T - head tube
- C/S - chain stay
- W/B - wheel base
- S/T ang. - seat tube angle
- H/T ang. - head tube angle
- F/L - fork length
- B/B drop - bottom bracket drop
- B/B width - bottom bracket width
- F/R - fork rake
- REACH - the horizontal distance from the center of the bottom bracket/crank to the top middle point of the head tube
- STACK - the vertical distance from the center of the frame's bottom bracket/crank to the top middle point of the head tube

Recommended frame size to the body height for each model you can find on our web site www.author.eu

MTB 29



AUTHOR CARBON MTB 29"

Already for model year 2017 we came with brand new frame, which again by frame's shape follows our own 27.5" hard tail frame. We will use this new frame also for 2018 year collection. The bend in the top section of the frame is noticeable and the top tube smoothly merges into the seat stay. Thus it resembles a shape of a bow. By adding this 29" frame into our collection we are having all our carbon frames similar looking. This new frame has also all the modern design frame structural elements – shorter rear stay and also inner derailleur's and rear brake cable routing.

A hard tail carbon frame designated specifically for the 29" wheels is made again using the AUTHOR MONOCOQUE CARBON TECHNOLOGY. It is therefore the connection of front triangle with chain and seat stay to form a single-piece frame monocoque.

Frame's Structural Elements

1. direct Post Mount (PM) interface on the rear chain stay ready for 6" rotor
2. rear stay drop outs ready for thru axle 12 x 142 mm
3. the conical head tube compatible with the 1.5" fork's tapered steerer tube
4. Inner Cable Routing (ICR) for both derailleur's and rear brake led through the frame's tube (newly side swing routing through down tube for front derailleur)
5. application of the stainless steel stickers on the chain stay and down tube
6. bended seat tube for shorter rear stay (now 438 mm, 450 mm before)



Models MAGNUM 29, SECTOR 29, REVOLT 29 and MODUS 29 are offered in 3 sizes: 17.5; 19 and 21".

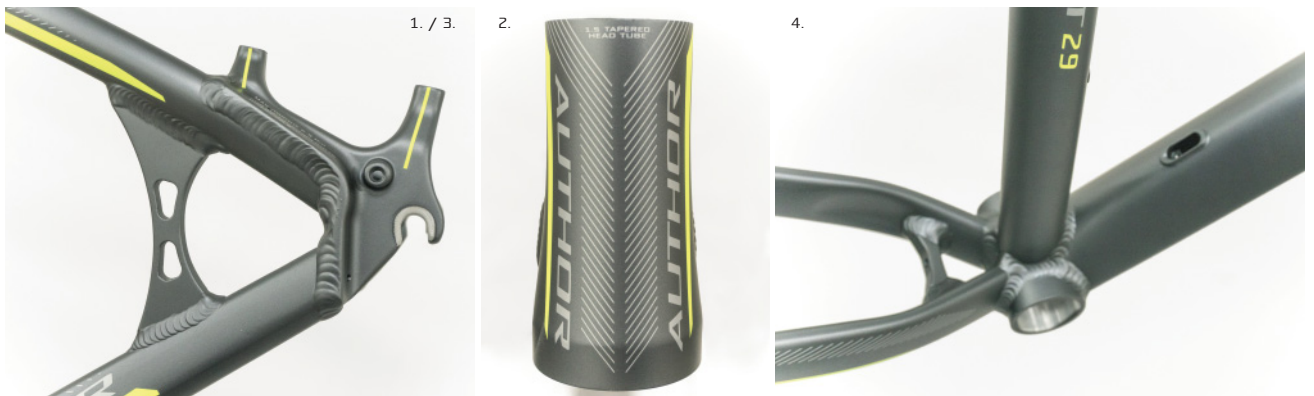
AUTHOR ALLOY MTB 29"

For model year 2018 we are offering 9 models on alloy 29" frames – EGOIST 29, VISION 29, INSTINCT 29, TRACTION 29, SPIRIT 29, PEGAS 29, SOLUTION 29, IMPULSE 29 a RIVAL 29 in 3 frame sizes: 17, 19 a 21".

Models EGOIST 29, VISION 29, INSTINCT 29, TRACTION 29, SPIRIT 29 and PEGAS 29 are on an alloy frame which is bow shaped and came up as an alloy replica of our 27.5" MTB carbon frame.

Frame's Structural Elements

1. direct Post Mount (PM) interface on the left seat ready for 6" rotor
2. the conical head tube compatible with the 1.5" fork's tapered steerer tube
3. reinforcement gusset between chain and seat stay
4. newly side swing routing through down tube for front derailleur (EGOIST 29, VISION 29, INSTINCT 29 and TRACTION 29)



Models SOLUTION 29 a IMPULSE 29 and RIVAL 29 have from model year 2015 new alloy, so called LOGIC II frame with it's own hydroformed shape (molds for top and down tube) and geometry, which is specifically tuned according to the wheel size, gender and use.



SHIMANO
2x11

12x142



Boost 15x110



| MAGNUM 29 |

FRAME	Author A carbon monocoque
FORK	FOX 32 Float SC 29 Remote, 15 mm axle, 1.5" tapered (100 mm travel)
CHAINWHEEL	Shimano XT (38-28 teeth), BB unit
REAR DERAILLEUR / SHIFTERS	Shimano XT "clutch" / XT, 22 speed

BRAKES	Shimano XT (6"), hydraulic
WHEEL SET	Mavic Crossmax Pro 29 UST
TIRES	Vittoria Barzo Kevlar TNT 29" x 2.10"
COLOR	Matte Carbon / Neon Yellow



SHIMANO
2x11

12x142



Boost 15x110



| SECTOR 29 |

FRAME	Author B carbon monocoque
FORK	FOX 32 Float SC 29 Remote, 15 mm axle, 1.5" tapered (100 mm travel)
CHAINWHEEL	Shimano XT (38-28 teeth), BB unit
REAR DERAILLEUR / SHIFTERS	Shimano XT "clutch" / XT, 22 speed

BRAKES	Shimano SLX (6"), hydraulic
WHEEL SET	Mavic XA 29
TIRES	Vittoria Barzo Kevlar 29" x 2.25"
COLOR	Matte Carbon / Author Red



SHIMANO
2x11

12x142

15x100



| REVOLT 29 |

FRAME	Author C carbon monocoque
FORK	ROCK SHOX Recon Gold RL Remote 29 15 Solo Air, 15 mm axle, 1.5" tapered (100 mm travel)
CHAINWHEEL	Shimano SLX (38-28 teeth), BB unit
REAR DERAILLEUR / SHIFTERS	Shimano SLX, 22 speed

BRAKES	Shimano Deore (7"), hydraulic
TIRES	Vittoria Barzo Kevlar 29" x 2.25"
COLOR	Matte Carbon / Grande Azzuro



SHIMANO
3x10

12x142

15x100



| MODUS 29 |

FRAME	Author C carbon monocoque
FORK	RST F1RST 29 15 TRL, 15 mm axle, 1.5" tapered (100 mm travel)
CHAINWHEEL	Shimano Deore (40-30-22 teeth), BB unit
REAR DERAILLEUR / SHIFTERS	Shimano Deore, 30 speed

BRAKES	Tektro Gemini (7"), hydraulic
TIRES	Vittoria Barzo Kevlar 29" x 2.25"
COLOR	Matte Carbon / Neon Yellow

SHIMANO
2x11



Boost 15x110



| EGOIST 29 |

FRAME	triple butted hydroformed alloy 6061
FORK	FOX 32 Float SC 29 Remote, 15 mm axle, 1.5" tapered (100 mm travel)
CHAINWHEEL	Shimano XT (38-28 teeth), BB unit
REAR DERAILLEUR / SHIFTERS	Shimano XT "clutch" / XT, 22 speed

BRAKES	Shimano SLX (6"), hydraulic
WHEEL SET	Mavic XA 29
TIRES	Vittoria Barzo Kevlar 29" x 2.25"
COLOR	Matte Black

SHIMANO
2x11

15x100



| VISION 29 |

FRAME	triple butted hydroformed alloy 6061
FORK	ROCK SHOX Recon Gold RL Remote 29 15 Solo Air, 15 mm axle, 1.5" tapered (100 mm travel)
CHAINWHEEL	Shimano SLX (38-28 teeth), BB unit
REAR DERAILLEUR / SHIFTERS	Shimano SLX, 22 speed

BRAKES	Shimano Deore (7"), hydraulic
TIRES	Vittoria Barzo Kevlar 29" x 2.25"
COLOR	Matte Black

SHIMANO
3x10

15x100



| INSTINCT 29 |

FRAME	double butted hydroformed alloy 6061
FORK	RST F1RST 29 15 (100 mm travel)
CHAINWHEEL	Shimano SLX (40-30-22 teeth), BB unit
REAR DERAILLEUR / SHIFTERS	Shimano SLX, 30 speed

BRAKES	Shimano BR M425 (7"), hydraulic
TIRES	Vittoria Barzo Kevlar 29" x 2.25"
COLOR	Matte Temple Grey / Neon Yellow

SHIMANO
3x10

| TRACTION 29 |

FRAME	double butted hydroformed alloy 6061
FORK	RST Aerial 29 TnL (100 mm travel)
CHAINWHEEL	Shimano Deore (40-30-22 teeth), BB unit
REAR DERAILLEUR / SHIFTERS	Shimano Deore, 30 speed

BRAKES	Tektro Gemini (7"), hydraulic
TIRES	Vittoria Barzo Kevlar 29" x 2.25"
COLOR	Matte Black



| SPIRIT 29 [A] |

FRAME	hydroformed alloy 6061
FORK	RST Blaze 29 TnL (100 mm travel)
CHAINWHEEL	Shimano M 4000 (40-30-22 teeth), Octalink
REAR DERAILLEUR / SHIFTERS	Shimano Alivio, 27 speed

BRAKES	Tektro Auriga (7"), hydraulic
TIRES	Author Rocket 29" x 2.10"
COLOR A	Matte Black / Kawa Green



| SPIRIT 29 [B] |

FRAME	hydroformed alloy 6061
FORK	RST Blaze 29 TnL (100 mm travel)
CHAINWHEEL	Shimano M 4000 (40-30-22 teeth), Octalink
REAR DERAILLEUR / SHIFTERS	Shimano Alivio, 27 speed

BRAKES	Tektro Auriga (7"), hydraulic
TIRES	Author Rocket 29" x 2.10"
COLOR B	Matte Treasure Silver / Racing Red



| PEGAS 29 [A] |

FRAME	hydroformed alloy 6061
-------	------------------------

FORK	RST Blaze 29 TnL (100 mm travel)
------	----------------------------------

CHAINWHEEL	Suntour XCM (40-30-22 teeth)
------------	------------------------------

REAR DERAILLEUR / SHIFTERS	Shimano Acera, 27 speed
----------------------------	-------------------------

BRAKES	Tektro Auriga (7"), hydraulic
--------	-------------------------------

TIRES	Author Rocket 29" x 2.10"
-------	---------------------------

COLOR A	Matte Temple Grey / Italian Blue
---------	----------------------------------



| PEGAS 29 [B] |

FRAME	hydroformed alloy 6061
-------	------------------------

FORK	RST Blaze 29 TnL (100 mm travel)
------	----------------------------------

CHAINWHEEL	Suntour XCM (40-30-22 teeth)
------------	------------------------------

REAR DERAILLEUR / SHIFTERS	Shimano Acera, 27 speed
----------------------------	-------------------------

BRAKES	Tektro Auriga (7"), hydraulic
--------	-------------------------------

TIRES	Author Rocket 29" x 2.10"
-------	---------------------------

COLOR B	Matte Ritual Silver / Neon Yellow
---------	-----------------------------------



| SOLUTION 29 [A] |

FRAME	alloy 6061	BRAKES	Tektro Auriga (7"), hydraulic
FORK	RST Blaze 29 ML (100 mm travel)	TIRES	Author Rocket 29" x 2.10"
CHAINWHEEL	Suntour XCM (40-30-22 teeth)	COLOR A	Matte McLaren Silver / Lime / Andaman Sea / Black
REAR DERAILLEUR / SHIFTERS	Shimano Altus, 27 speed		



| SOLUTION 29 [B] |

FRAME	alloy 6061	BRAKES	Tektro Auriga (7"), hydraulic
FORK	RST Blaze 29 ML (100 mm travel)	TIRES	Author Rocket 29" x 2.10"
CHAINWHEEL	Suntour XCM (40-30-22 teeth)	COLOR B	Black / Racing Red
REAR DERAILLEUR / SHIFTERS	Shimano Altus, 27 speed		



| IMPULSE 29 [A] |

FRAME	alloy 6061	BRAKES	Tektro (6"), hydraulic
FORK	RST Blaze 29 ML (100 mm travel)	TIRES	Author Rocket 29" x 2.10"
CHAINWHEEL	Prowheel (42-34-24 teeth)	COLOR A	Matte Ritual Silver / Kawa Green
REAR DERAILLEUR / SHIFTERS	Shimano Altus, 24 speed		



| IMPULSE 29 [B] |

FRAME	alloy 6061	BRAKES	Tektro (6"), hydraulic
FORK	RST Blaze 29 ML (100 mm travel)	TIRES	Author Rocket 29" x 2.10"
CHAINWHEEL	Prowheel (42-34-24 teeth)	COLOR B	Matte McLaren Silver / Racing Red / Andaman Sea / Black
REAR DERAILLEUR / SHIFTERS	Shimano Altus, 24 speed		



| RIVAL 29 [A] |

FRAME	alloy 6061
FORK	RST Blaze 29 ML (100 mm travel)
CHAINWHEEL	Prowheel (42-34-24 teeth)
REAR DERAILLEUR / SHIFTERS	Shimano TX800 / Shimano, 24 speed

BRAKES	Tektro (6"), mechanical
TIRES	Author Rocket 29" x 2.10"
COLOR A	Matte Nascar Blue / California Orange



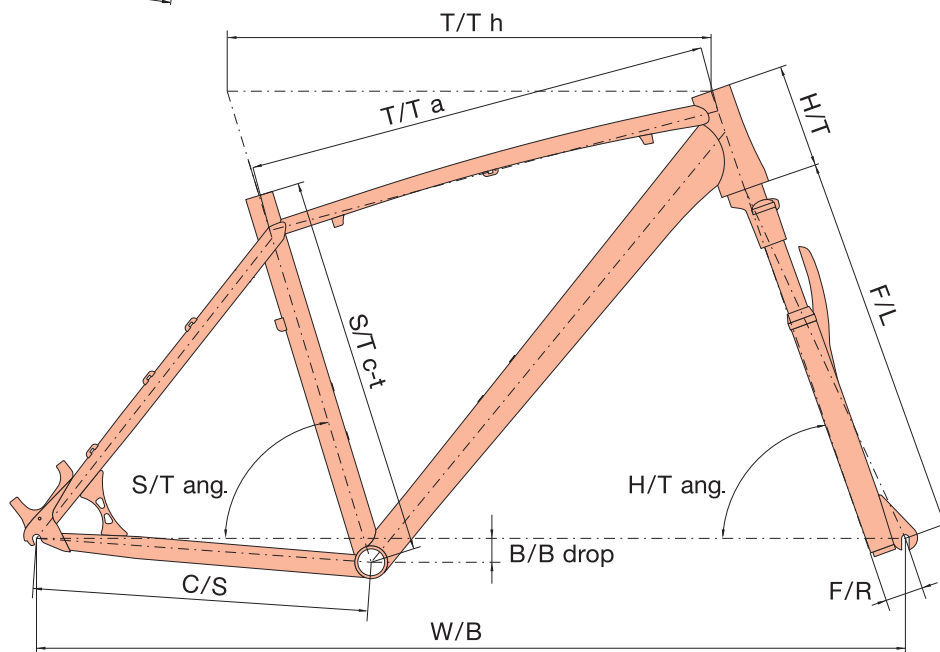
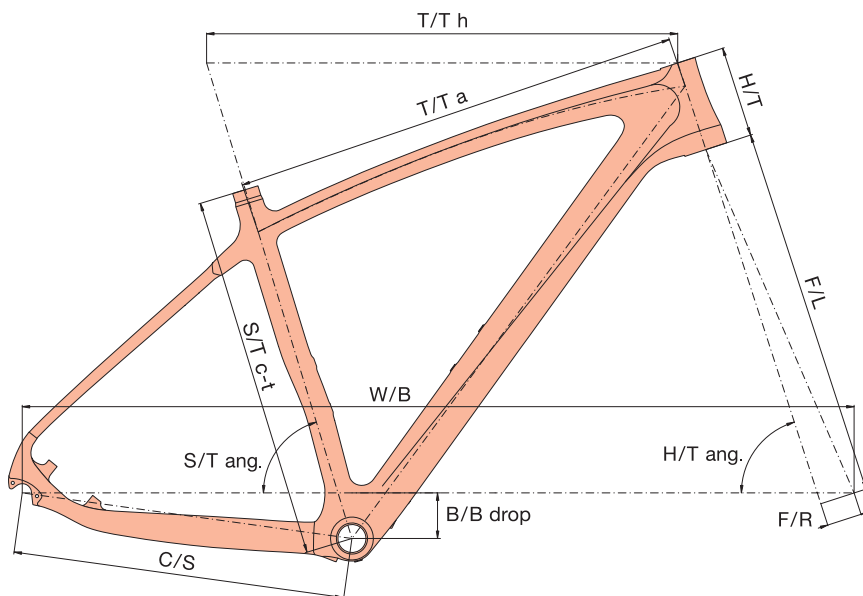
| RIVAL 29 [B] |

FRAME	alloy 6061
FORK	RST Blaze 29 ML (100 mm travel)
CHAINWHEEL	Prowheel (42-34-24 teeth)
REAR DERAILLEUR / SHIFTERS	Shimano TX800 / Shimano, 24 speed

BRAKES	Tektro (6"), mechanical
TIRES	Author Rocket 29" x 2.10"
COLOR B	Matte McLaren Silver / Racing Red / Andaman Sea / Black

MODEL	MAGNUM 29	SECTOR 29	REVOLT 29	MODUS 29	EGOIST 29	VISION 29
SIZE	17.5", 19", 21"	17.5", 19", 21"	17.5", 19", 21"	17.5", 19", 21"	17", 19", 21"	17", 19", 21"
FRAME	AUTHOR A carbon monocoque 29"	AUTHOR B carbon monocoque 29"	AUTHOR C carbon monocoque 29"	AUTHOR C carbon monocoque 29"	triple butted hydroformed alloy 6061 29"	triple butted hydroformed alloy 6061 29"
FRONT FORK	FOX 32 Float SC 29 100 Remote air, remote lock out 15 mm thru axle 1.5" tapered steerer (100 mm)	FOX 32 Float SC 29 100 Remote air, remote lock out 15 mm thru axle 1.5" tapered steerer (100 mm)	ROCK SHOX Recon Gold RL Remote 29 15 Solo Air air, remote lock out 15 mm thru axle 1.5" tapered steerer (100 mm)	RST FIRST 29 15 TRL air, remote lock out 15 mm thru axle 1.5" tapered steerer (100 mm)	FOX 32 Float SC 29 100 Remote air, remote lock out 15 mm thru axle 1.5" tapered steerer (100 mm)	ROCK SHOX Recon Gold RL Remote 29 15 Solo Air air, remote lock out 15 mm thru axle 1.5" tapered steerer (100 mm)
HEAD PARTS	AUTHOR Integrated 1.5" tapered	AUTHOR Integrated 1.5" tapered	AUTHOR Integrated 1.5" tapered	AUTHOR Integrated 1.5" tapered	FSA Orbit 1.5B 1.5" tapered	FSA Orbit 1.5B 1.5" tapered
CHAINWHEEL	SHIMANO XT 38-28 teeth 175 mm cranks	SHIMANO XT 38-28 teeth 175 mm cranks	SHIMANO SLX 38-28 teeth 170 / 175 mm cranks	SHIMANO Deore 40-30-22 teeth 170 / 175 mm cranks	SHIMANO XT 38-28 teeth 170 / 175 mm cranks	SHIMANO SLX 38-28 teeth 170 / 175 mm cranks
B.B. PARTS	SHIMANO BB-MT800 BB unit	SHIMANO BB-MT800 BB unit	SHIMANO BB-MT800 BB unit	SHIMANO BB-52 BB unit	SHIMANO BB-MT800 BB unit	SHIMANO BB-MT800 BB unit
FRONT DERAILLEUR	SHIMANO XT (34.9)	SHIMANO XT (34.9)	SHIMANO SLX (34.9)	SHIMANO Deore (34.9)	SHIMANO XT (34.9)	SHIMANO SLX (34.9)
REAR DERAILLEUR	SHIMANO XT "clutch"	SHIMANO XT "clutch"	SHIMANO SLX	SHIMANO Deore	SHIMANO XT "clutch"	SHIMANO SLX
SHIFTERS	SHIMANO XT (22)	SHIMANO XT (22)	SHIMANO SLX (22)	SHIMANO Deore (30)	SHIMANO XT (22)	SHIMANO SLX (22)
FREEWHEEL	SHIMANO M8000-11 11-42 (11)	SHIMANO M7000-11 11-42 (11)	SHIMANO M7000-11 11-42 (11)	SHIMANO HG50-10 11-36 (10)	SHIMANO M7000-11 11-42 (11)	SHIMANO M7000-11 11-42 (11)
CHAIN	SHIMANO HG701	SHIMANO HG601	SHIMANO HG601	KMC X10-1	SHIMANO HG601	SHIMANO HG601
HUBS	MAVIC Crossmax Pro 29 wheel set 24 holes boost 15 x 110 mm thru front axle 12 x 142 mm thru rear axle	MAVIC XA 29 wheel set 24 holes boost 15 x 110 mm thru front axle 12 x 142 mm thru rear axle	AUTHOR Helium 15 / Xenon 12 15 x 100 mm thru front axle 12 x 142 mm thru rear axle 32 holes	AUTHOR Helium 15 / Xenon 12 15 x 100 mm thru front axle 12 x 142 mm thru rear axle 32 holes	MAVIC XA 29 wheel set 24 holes boost 15 x 110 mm thru front axle 9 x 135 mm thru rear axle	AUTHOR Helium 15 / Xenon 15 x 100 mm thru axle 32 holes
BRAKES	SHIMANO XT disc hydraulic (6" rotors)	SHIMANO SLX disc hydraulic (6" rotors)	SHIMANO Deore disc hydraulic (7" rotors)	TEKTRO Gemini disc hydraulic (7" rotors)	SHIMANO SLX disc hydraulic (6" rotors)	SHIMANO Deore disc hydraulic (7" rotors)
BRAKE LEVERS	SHIMANO XT	SHIMANO SLX	SHIMANO Deore	TEKTRO Gemini	SHIMANO SLX	SHIMANO Deore
RIMS	MAVIC Crossmax Pro 29 wheel set 24 holes	MAVIC XA 29 wheel set 24 holes	AUTHOR Krypton 29 32 holes	AUTHOR Xenon Pro 29 32 holes	MAVIC XA 29 wheel set 24 holes	AUTHOR Krypton 29 32 holes
SPOKES	MAVIC	MAVIC	black stainless steel 2.0 mm	black stainless steel 2.0 mm	MAVIC	black stainless steel 2.0 mm
TIRES	VITTORIA Barzo kevlar TNT 29" x 2.10"	VITTORIA Barzo kevlar 29" x 2.25"	VITTORIA Barzo kevlar 29" x 2.25"	VITTORIA Barzo kevlar 29" x 2.25"	VITTORIA Barzo kevlar 29" x 2.25"	VITTORIA Barzo kevlar 29" x 2.25"
PEDALS	-	-	-	-	-	-
HANDLEBAR	RITCHEY WCS Flat karbon 9° 680 mm	RITCHEY WCS Flat 10° 660 / 700 mm	RITCHEY Comp Flat 10° 660 / 700 mm	AUTHOR Flatbar 9° 700 mm	RITCHEY WCS Flat 10° 660 / 700 mm	RITCHEY Comp Flat 10° 660 / 700 mm
GRIPS	AUTHOR Pro Lock	AUTHOR Pro Lock	AUTHOR Pro Lock	AUTHOR Pro Lock	AUTHOR Pro Lock	AUTHOR Pro Lock
STEM	RITCHEY WCS C220	RITCHEY WCS C220	RITCHEY Comp 4-Axis	AUTHOR dural	RITCHEY WCS C220	RITCHEY Comp 4-Axis
SEAT POST	RITCHEY WCS carbon (31.6)	RITCHEY Comp Carbon (31.6)	RITCHEY Comp (31.6)	AUTHOR dural (31.6)	RITCHEY Comp Carbon (31.6)	RITCHEY Comp (31.6)
SEAT CLAMP	AUTHOR (34.9)	AUTHOR (34.9)	AUTHOR (34.9)	AUTHOR (34.9)	AUTHOR (34.9)	AUTHOR (34.9)
SADDLE	PROLOGO X Zero II	PROLOGO Nago Evo X10	PROLOGO Nago Evo X10	AUTHOR Summit	PROLOGO Nago Evo X10	PROLOGO Nago Evo X10
SPEED	22	22	22	30	22	22
WEIGHT	9.7 kg / 19"	10.6 kg / 19"	11.7 kg / 19"	12.2 kg / 19"	11.4 kg / 19"	12.1 kg / 19"

MODEL	INSTINCT 29	TRACTION 29	SPIRIT 29	PEGAS 29	SOLUTION 29	IMPULSE 29	RIVAL 29
SIZE	17", 19", 21"	17", 19", 21"	17", 19", 21"	17", 19", 21"	17", 19", 21"	17", 19", 21"	17", 19", 21"
FRAME	double butted hydroformed alloy 6061 29"	double butted hydroformed alloy 6061 29"	hydroformed alloy 6061 29"	hydroformed alloy 6061 29"	alloy 6061 29"	alloy 6061 29"	alloy 6061 29"
FRONT FORK	RST FIRST 29 15 air, lock out (100 mm)	RST Aerial 29 TnL air, lock out (100 mm)	RST Blaze 29 TnL oil, lock out (100 mm)	RST Blaze 29 TnL oil, lock out (100 mm)	RST Blaze 29 ML lock out (100 mm)	RST Blaze 29 ML lock out (100 mm)	RST Blaze 29 ML uzamykatelná (100 mm)
HEAD PARTS	FSA Integrated 1.5" tapered	AUTHOR Integrated 1.5" tapered	AUTHOR Integrated 1.5" tapered	AUTHOR Integrated 1.5" tapered	AUTHOR Integrated 1-1/8"	PRESTINE Integrated 1-1/8"	PRESTINE Integrated 1-1/8"
CHAINWHEEL	SHIMANO SLX 40-30-22 teeth 170 / 175 mm cranks	SHIMANO Deore 40-30-22 teeth 170 / 175 mm cranks	SHIMANO M4000 40-30-22 teeth 170 / 175 mm cranks	SUNTOUR XCM 40-30-22 teeth 170 / 175 mm cranks	SUNTOUR XCM 40-30-22 teeth 170 / 175 mm cranks	PROWHEEL 42-34-24 teeth 170 / 175 mm cranks	PROWHEEL 42-34-24 teeth 170 / 175 mm cranks
B.B. PARTS	SHIMANO BB-MT800 BB unit	SHIMANO BB-52 BB unit	SHIMANO ES300 Octalink	SUNTOUR XCT cartridge	SUNTOUR XCT cartridge	VP COMP cartridge	VP COMP cartridge
FRONT DERAILLEUR	SHIMANO Deore (34.9)	SHIMANO Deore (34.9)	SHIMANO Acera (34.9)	SHIMANO Acera (34.9)	SHIMANO Acera (34.9)	SHIMANO TY700 (34.9)	SHIMANO TY700 (34.9)
REAR DERAILLEUR	SHIMANO SLX	SHIMANO Deore	SHIMANO Alivio	SHIMANO Acera	SHIMANO Altus	SHIMANO Altus	SHIMANO TX800
SHIFTERS	SHIMANO SLX (30)	SHIMANO Deore (30)	SHIMANO Alivio (27)	SHIMANO Acera (27)	SHIMANO Altus (27)	SHIMANO Altus (24)	SHIMANO TX800 (24)
FREEWHEEL	SHIMANO HG50-10 11-36 (10)	SHIMANO HG50-10 11-36 (10)	SHIMANO HG400-9 11-34 (9)	SHIMANO HG200-9 11-34 (9)	SHIMANO HG200-9 11-34 (9)	SHIMANO HG200-8 12-32 (8)	SHIMANO HG200-8 12-32 (8)
CHAIN	KMC X10-1	KMC X10-1	KMC Z99	KMC Z99	KMC Z99	KMC Z72	KMC Z72
HUBS	AUTHOR Helium 15 / Xenon 15 x 100 mm thru axle 32 holes	AUTHOR Radon 32 holes	QUANDO Disc 32 holes	QUANDO Disc 32 holes	QUANDO Disc 32 holes	QUANDO Disc 32 holes	QUANDO Disc 32 holesr
BRAKES	SHIMANO BR M425 disc hydraulic (7" rotors)	TEKTRO Gemini disc hydraulic (7" rotors)	TEKTRO Auriga disc hydraulic (7" rotors)	TEKTRO Auriga disc hydraulic (7" rotors)	TEKTRO Auriga disc hydraulic (7" rotors)	TEKTRO disc hydraulic (6" rotors)	TEKTRO disc mechanical (6" rotors)
BRAKE LEVERS	SHIMANO BL M425	TEKTRO Gemini	TEKTRO Auriga	TEKTRO Auriga	TEKTRO Auriga	TEKTRO	SHIMANO TX800
RIMS	AUTHOR Xenon Pro 29 32 holes	AUTHOR Xenon Pro 29 32 holes	AUTHOR Xenon 29 32 holes	AUTHOR Xenon 29 32 holes	AUTHOR Xenon 29 32 holes	AUTHOR Xenon 29 32 holes	AUTHOR Xenon 29 32 holes
SPOKES	black stainless steel 2.0 mm	black stainless steel 2.0 mm	black steel	black steel	black steel	black steel	black steel
TIRES	VITTORIA Barzo kevlar 29" x 2.25"	VITTORIA Barzo kevlar 29" x 2.25"	AUTHOR Rocket 29" x 2.10"	AUTHOR Rocket 29" x 2.10"	AUTHOR Rocket 29" x 2.10"	AUTHOR Rocket 29" x 2.10"	AUTHOR Rocket 29" x 2.10"
PEDALS	-	AUTHOR alloy	AUTHOR alloy	AUTHOR alloy	AUTHOR alloy / resin	resin	resin
HANDLEBAR	AUTHOR Flatbar 9° 700 mm	AUTHOR Flatbar 9° 700 mm	AUTHOR Flatbar 9° 700 mm	AUTHOR Flatbar 9° 700 mm	AUTHOR Flatbar 10° 700 mm	AUTHOR Flatbar 10° 700 mm	steel 20 mm 680 mm
GRIPS	AUTHOR Pro Lock	AUTHOR Pro Lock	AUTHOR Pro Lock	AUTHOR Pro Lock	AUTHOR kratton rubber	AUTHOR kratton rubber	AUTHOR kratton rubber
STEM	AUTHOR alloy	AUTHOR alloy	AUTHOR alloy	AUTHOR alloy	AUTHOR alloy	AUTHOR alloy	AUTHOR alloy
SEAT POST	AUTHOR alloy (31.6)	AUTHOR alloy (31.6)	AUTHOR alloy (31.6)	AUTHOR alloy (31.6)	AUTHOR alloy (31.6)	AUTHOR alloy (31.6)	AUTHOR alloy (31.6)
SEAT CLAMP	AUTHOR (34.9)	AUTHOR (34.9)	AUTHOR (34.9)	AUTHOR (34.9)	AUTHOR (34.9)	AUTHOR (34.9)	AUTHOR (34.9)
SADDLE	AUTHOR Summit	AUTHOR Summit	AUTHOR Summit	AUTHOR Summit	AUTHOR Courier	AUTHOR Courier	AUTHOR Courier
SPEED	30	30	27	27	27	24	24
WEIGHT	12.5 kg / 19"	13.2 kg / 19"	14.9 kg / 19"	15.2 kg / 19"	14.9 kg / 19"	14.7 kg / 19"	15.3 kg / 19"



	S/T c-t	T/T h	T/T a	H/T	C/S	W/B	S/T ang.	H/T ang.	F/L	B/B drop	B/B width	F/R
MAGNUM 29 * T 1.5" DI / SECTOR 29 * T 1.5" DI / REVOLT 29 * T 1.5" DI / MODUS 29 * T 1.5" DI												
17.5"	454	609	586	110	438	1084	73.0	72.0	490	60	73	44
19"	480	620	594	120	438	1095	73.0	72.0	490	60	73	44
21"	530	640	612	130	438	1122	73.0	72.0	490	60	73	44
EGOIST 29 * T 1.5" PF / VISION 29 * T 1.5" PF / INSTINCT 29 * T 1.5" PF / TRACTION 29 * T 1.5" PF / SPIRIT 29 * T 1.5" PF / PEGAS 29 * T 1.5" PF												
17"	432	606	585	115	445	1117	73.0	70.0	510	58	73	51
19"	483	631	605	120	445	1137	73.0	70.5	510	58	73	51
21"	535	651	623	125	445	1151	72.5	70.5	510	58	73	51
SOLUTION 29 * / IMPULSE 29 * / RIVAL 29 *												
17"	432	606	580	110	445	1099	71.7	71.0	510	61	68	51
19"	483	630	600	120	445	1123	71.7	71.0	510	61	68	51
21"	535	651	618	120	445	1138	71.0	71.0	510	61	68	51

* t 1.5" DI - integrated head set 1.5" tapered DI
 DI - Drop In
 * t 1.5" PF - semiintegrated head set 1.5" tapered PF
 PF - Press Fit
 * - 1 1/8" semiintegrated head set PF 50 mm

GOMETRY TABLE LEGEND:
 S/T c-t - seat tube (center-top)
 T/T h - top tube horizontal
 T/T a - top tube actual
 H/T - head tube
 C/S - chain stay
 W/B - wheel base
 S/T ang. - seat tube angle
 H/T ang. - head tube angle
 F/L - fork length
 B/B drop - bottom bracket drop
 B/B width - bottom bracket width
 F/R - fork rake

Recommended frame size to the body height for each model you can find on our web site www.author.eu

MTB 27.5



COLLECTION 2018

AUTHOR CARBON MTB 27.5"

We are using our own AUTHOR 27.5" frame's platform carbon for models INTROVERT, SECTOR, REVOLT and MODUS and we offer them in 4 frame sizes: 16, 17.5, 19 and 20.5". The bend in the top section of the frame is noticeable and the top tube smoothly merges into the seat stay. Thus it resembles a shape of a bow. It does not only have a distinctive sloping and an interesting design, but it adds more rigidity to the front triangle, too.

Frame's Structural Elements

1. direct Post Mount (PM) interface on the rear chain stay prepared for 6" rotor
2. rear stay drop outs ready for thru axle 12x142 mm
3. Inner Cable Routing (ICR) for both derailleurs led through the frame tubes (newly side swing routing through down tube for front derailleur)
4. the conical head tube compatible with the 1.5" fork's tapered steerer tube
5. application of the stainless steel stickers on the chain stay and down tube



AUTHOR ALLOY MTB 27.5"

For 2018 we are offering 6 models on alloy 27.5" frame - EGOIST, VISION, INSTINCT, TRACTION, SPIRIT and PEGAS. All of them have an alloy frame which is bow shaped and came up as an alloy replica of our 27.5" MTB carbon frame.

Frame's Structural Elements

1. direct Post Mount (PM) interface on the left seat stay prepared for 6" rotor
2. the conical head tube compatible with the 1.5" fork's tapered steerer tube
3. the reinforcement gusset between chain and seat stay
4. newly side swing routing through down tube for front derailleur (EGOIST, VISION, INSTINCT and TRACTION)



Models SOLUTION, IMPULSE a RIVAL have from model year 2015 new alloy, so called LOGIC II frame with it's own hydroformed shape (molds for top and down tube) and geometry, which is specifically tuned according to the wheel size, gender and use.



SHIMANO
2x11

12x142



Boost 15x110



| INTROVERT |

FRAME	Author A carbon monocoque
FORK	FOX 32 Float SC 27.5 Remote, 15 mm axle, 1.5" tapered (100 mm travel)
CHAINWHEEL	Shimano XT (38-28 teeth), BB unit
REAR DERAILLEUR / SHIFTERS	Shimano XT "clutch" / XT, 22 speed

BRAKES	Shimano XT (6"), hydraulic
WHEEL SET	Mavic Crossmax Pro 27.5 UST
TIRES	Vittoria Barzo Kevlar TNT 27.5" x 2.10"
COLOR	Matte Carbon / Neon Yellow



SHIMANO
2x11

12x142



Boost 15x110

| SECTOR |

FRAME	Author B carbon monocoque
FORK	FOX 32 Float SC 27.5 Remote, 15 mm axle, 1.5" tapered (100 mm travel)
CHAINWHEEL	Shimano XT (38-28 teeth), BB unit
REAR DERAILLEUR / SHIFTERS	Shimano XT "clutch" / XT, 22 speed

BRAKES	Shimano SLX (6"), hydraulic
WHEEL SET	Mavic Crossride Light 27.5
TIRES	Vittoria Barzo Kevlar 27.5" x 2.10"
COLOR	Matte Carbon / Author Red



AUTHOR
CARBON
MONOCOQUE

SHIMANO
2x11

12x142



15x100

| REVOLT |

FRAME	Author C carbon monocoque
FORK	ROCK SHOX Recon Gold RL Remote 27.5 Solo Air, 15 mm axle, 1.5" tapered (100 mm travel)
CHAINWHEEL	Shimano SLX (38-28 teeth), BB unit
REAR DERAILLEUR / SHIFTERS	Shimano SLX, 22 speed

BRAKES	Shimano Deore (6"), hydraulic
TIRES	Vittoria Barzo Kevlar 27.5" x 2.10"
COLOR	Matte Carbon / Grande Azzuro



AUTHOR
CARBON
MONOCOQUE

SHIMANO
3x10

12x142



| MODUS |

FRAME	Author C carbon monocoque
FORK	RST F1RST 27.5 TRL, 1.5" tapered (100 mm travel)
CHAINWHEEL	Shimano Deore (40-30-22 teeth), BB unit
REAR DERAILLEUR / SHIFTERS	Shimano Deore, 30 speed

BRAKES	Tektro Gemini (6"), hydraulic
TIRES	Vittoria Barzo Kevlar 27.5" x 2.25"
COLOR	Matte Carbon / Neon Yellow

SHIMANO
2x11

MAVIC
WHEEL SET

Boost 15x110



| EGOIST |

FRAME	triple butted hydroformed alloy 6061
FORK	FOX 32 Float SC 27.5 Remote, 15 mm axle, 1.5" tapered (100 mm travel)
CHAINWHEEL	Shimano XT (38-28 teeth), BB unit
REAR DERAILLEUR / SHIFTERS	Shimano XT "clutch" / XT, 22 speed

BRAKES	Shimano SLX (6"), hydraulic
WHEEL SET	Mavic Crossride Light 27.5
TIRES	Vittoria Barzo Kevlar 27.5" x 2.25"
COLOR	Matte McLaren Silver / Black

SHIMANO
2x11

15x100



| VISION |

FRAME	triple butted hydroformed alloy 6061
FORK	ROCK SHOX Recon Gold RL Remote 27 15 Solo Air, 15 mm axle, 1.5" tapered (100 mm travel)
CHAINWHEEL	Shimano SLX (38-28 teeth), BB unit
REAR DERAILLEUR / SHIFTERS	Shimano SLX, 22 speed

BRAKES	Shimano Deore (6"), hydraulic
TIRES	Vittoria Barzo Kevlar 27.5" x 2.25"
COLOR	Matte Black / Author Red

SHIMANO
3x10



| INSTINCT |

FRAME double butted hydroformed alloy 6061

FORK RST F1RST 27.5 (100 mm travel)

CHAINWHEEL Shimano SLX (40-30-22 teeth), BB unit

REAR DERAILLEUR / SHIFTERS Shimano SLX, 30 speed

BRAKES Shimano BR M425 (6"), hydraulic

TIRES Vittoria Barzo Kevlar 27.5" x 2.25"

COLOR Matte Ritual Silver / Kawa Green

SHIMANO
3x10



| TRACTION |

FRAME double butted hydroformed alloy 6061

FORK RST Aerial 27.5 TnL (100 mm travel)

CHAINWHEEL Shimano Deore (40-30-22 teeth), BB unit

REAR DERAILLEUR / SHIFTERS Shimano Deore, 30 speed

BRAKES Tektro Gemini (6"), hydraulic

TIRES Vittoria Barzo Kevlar 27.5" x 2.25"

COLOR Matte Black



| SPIRIT [A] |

FRAME	hydroformed alloy 6061	BRAKES	Tektro Auriga (6"), hydraulic
FORK	RST Blaze 27.5 TnL (100 mm travel)	TIRES	Author Rocket 27.5" x 2.10"
CHAINWHEEL	Shimano M4000 (40-30-22 teeth)	COLOR A	Matte Ritual Silver / Neon Yellow
REAR DERAILLEUR / SHIFTERS	Shimano Alivio, 27 speed		



| SPIRIT [B] |

FRAME	hydroformed alloy 6061	BRAKES	Tektro Auriga (6"), hydraulic
FORK	RST Blaze 27.5 TnL (100 mm travel)	TIRES	Author Rocket 27.5" x 2.10"
CHAINWHEEL	Shimano M4000 (40-30-22 teeth)	COLOR B	Matte Black / Racing Red
REAR DERAILLEUR / SHIFTERS	Shimano Alivio, 27 speed		



| PEGAS [A] |

FRAME	hydroformed alloy 6061	BRAKES	Tektro Auriga (6"), hydraulic
FORK	RST Gila 27.5 ML (100 mm travel)	TIRES	Author Rocket 27.5" x 2.10"
CHAINWHEEL	Suntour XCM (40-30-22 teeth)	COLOR A	Matte Black / California Orange
REAR DERAILLEUR / SHIFTERS	Shimano Acera, 27 speed		



| PEGAS [B] |

FRAME	hydroformed alloy 6061	BRAKES	Tektro Auriga (6"), hydraulic
FORK	RST Gila 27.5 ML (100 mm travel)	TIRES	Author Rocket 27.5" x 2.10"
CHAINWHEEL	Suntour XCM (40-30-22 teeth)	COLOR B	Matte Treasure Silver / Kawa Green
REAR DERAILLEUR / SHIFTERS	Shimano Acera, 27 speed		



| SOLUTION [A] |

FRAME	alloy 6061	BRAKES	Tektro Auriga (6"), hydraulic
FORK	RST Gila 27.5 ML (100 mm travel)	TIRES	Author Rocket 27.5" x 2.10"
CHAINWHEEL	Suntour XCM (40-30-22 teeth)	COLOR A	Matte Treasure Silver / Ocean Blue / Neon Orange / Black
REAR DERAILLEUR / SHIFTERS	Shimano Altus, 27 speed		



| SOLUTION [B] |

FRAME	alloy 6061	BRAKES	Tektro Auriga (6"), hydraulic
FORK	RST Gila 27.5 ML (100 mm travel)	TIRES	Author Rocket 27.5" x 2.10"
CHAINWHEEL	Suntour XCM (40-30-22 teeth)	COLOR B	Matte Ritual Silver / Kawa Green
REAR DERAILLEUR / SHIFTERS	Shimano Altus, 27 speed		



| IMPULSE [A] |

FRAME	alloy 6061	BRAKES	Tektro (6"), hydraulic
FORK	RST Gila 27.5 ML (100 mm travel)	TIRES	Author Rocket 27.5" x 2.10"
CHAINWHEEL	Prowheel (42-34-24 teeth)	COLOR A	McLaren Silver / Racing Red
REAR DERAILLEUR / SHIFTERS	Shimano Altus, 24 speed		



| IMPULSE [B] |

FRAME	alloy 6061	BRAKES	Tektro (6"), hydraulic
FORK	RST Gila 27.5 ML (100 mm travel)	TIRES	Author Rocket 27.5" x 2.10"
CHAINWHEEL	Prowheel (42-34-24 teeth)	COLOR B	Matte Temple Grey / Italian Blue / Lime
REAR DERAILLEUR / SHIFTERS	Shimano Altus, 24 speed		



| RIVAL [A] |

FRAME	alloy 6061	BRAKES	Tektro (5"), mechanical
FORK	RST Gila 27.5 T (100 mm travel)	TIRES	Author Rocket 27.5" x 2.10"
CHAINWHEEL	Prowheel (42-34-24 teeth)	COLOR A	Matte Nascar Blue / California Orange
REAR DERAILLEUR / SHIFTERS	Shimano TY700 / TX800, 24 speed		

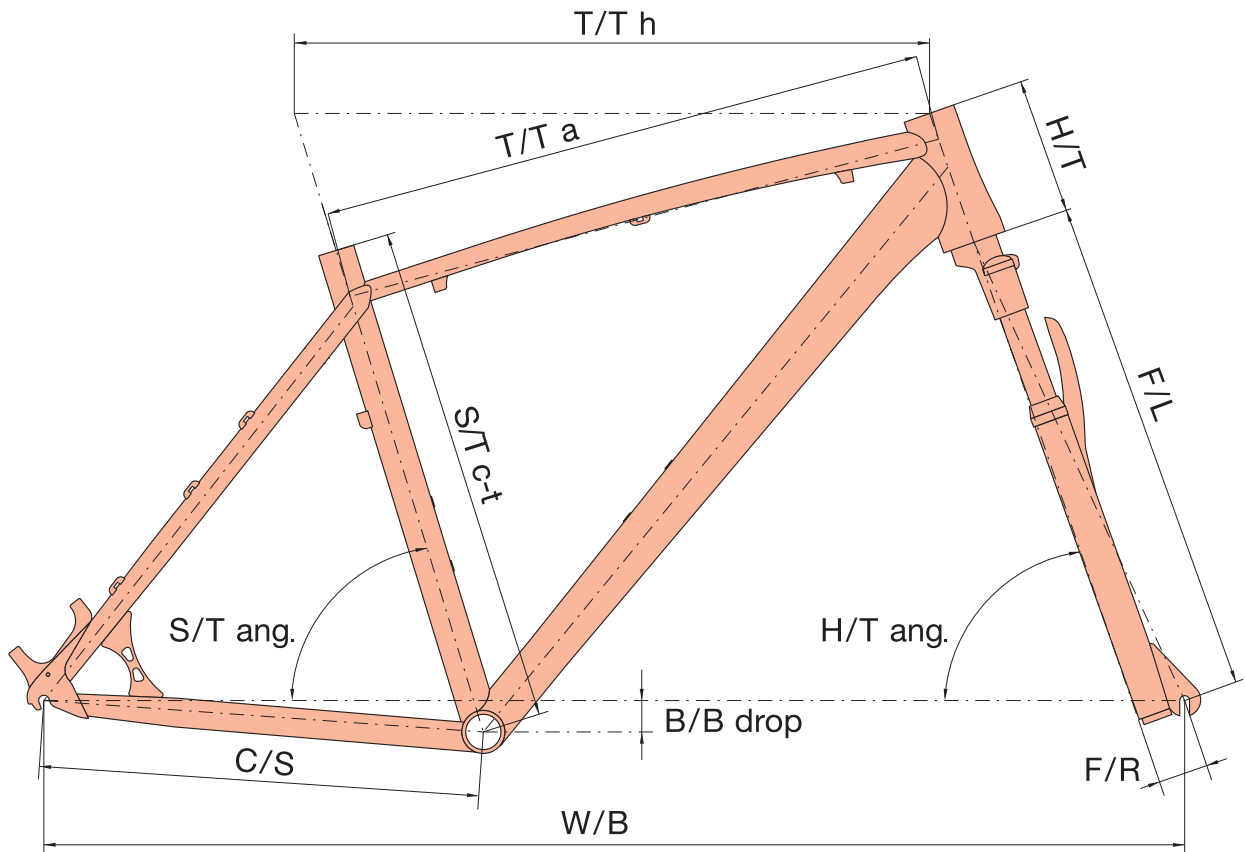


| RIVAL [B] |

FRAME	alloy 6061	BRAKES	Tektro (5"), mechanical
FORK	RST Gila 27.5 T (100 mm travel)	TIRES	Author Rocket 27.5" x 2.10"
CHAINWHEEL	Prowheel (42-34-24 teeth)	COLOR B	Matte Black / Neon Green
REAR DERAILLEUR / SHIFTERS	Shimano TY700 / TX800, 24 speed		

MODEL	INTROVERT	SECTOR	REVOLT	MODUS	EGOIST	VISION
SIZE	16", 17.5", 19", 20.5"	16", 17.5", 19", 20.5"	16", 17.5", 19", 20.5"	16", 17.5", 19", 20.5"	16", 17.5", 19", 20.5", 22"	16", 17.5", 19", 20.5", 22"
FRAME	AUTHOR A carbon monocoque 27.5"	AUTHOR B carbon monocoque 27.5"	AUTHOR C carbon monocoque 27.5"	AUTHOR C carbon monocoque 27.5"	triple butted hydroformed alloy 6061 27.5"	triple butted hydroformed alloy 6061 27.5"
FRONT FORK	FOX 32 Float SC 27.5 100 Remote air, remote lock out 15 mm thru axle 1.5" tapered steerer (100 mm)	FOX 32 Float SC 27.5 100 Remote air, remote lock out 15 mm thru axle 1.5" tapered steerer (100 mm)	ROCK SHOX Recon Gold RL Remote 27 15 Solo Air air, remote lock out 15 mm thru axle 1.5" tapered steerer (100 mm)	RST F1RST 27.5 TRL air, remote lock out 1.5" tapered steerer (100 mm)	FOX 32 Float SC 27.5 100 Remote air, remote lock out 15 mm thru axle 1.5" tapered steerer (100 mm)	ROCK SHOX Recon Gold RL Remote 27 15 Solo Air air, remote lock out 15 mm thru axle 1.5" tapered steerer (100 mm)
HEAD PARTS	FSA Orbit 1.5B 1.5" tapered	FSA Orbit 1.5B 1.5" tapered	FSA Orbit 1.5B 1.5" tapered	FSA Orbit 1.5B 1.5" tapered	FSA Orbit 1.5B 1.5" tapered	FSA Orbit 1.5B 1.5" tapered
CHAINWHEEL	SHIMANO XT 38-28 teeth 170 / 175 mm cranks	SHIMANO XT 38-28 teeth 170 / 175 mm cranks	SHIMANO SLX 38-28 teeth 170 / 175 mm cranks	SHIMANO Deore 40-30-22 teeth 170 / 175 mm cranks	SHIMANO XT 38-28 teeth 170 / 175 mm cranks	SHIMANO SLX 38-28 teeth 170 / 175 mm cranks
B.B. PARTS	SHIMANO BB-MT800 BB unit	SHIMANO BB-MT800 BB unit	SHIMANO BB-MT800 BB unit	SHIMANO BB-52 BB unit	SHIMANO BB-MT800 BB unit	SHIMANO BB-MT800 BB unit
FRONT DERAILLEUR	SHIMANO XT (34.9)	SHIMANO XT (34.9)	SHIMANO SLX (34.9)	SHIMANO Deore (34.9)	SHIMANO XT (34.9)	SHIMANO SLX (34.9)
REAR DERAILLEUR	SHIMANO XT "clutch"	SHIMANO XT "clutch"	SHIMANO SLX	SHIMANO Deore	SHIMANO XT "clutch"	SHIMANO SLX
SHIFTERS	SHIMANO XT (22)	SHIMANO XT (22)	SHIMANO SLX (22)	SHIMANO Deore (30)	SHIMANO XT (22)	SHIMANO SLX (22)
FREEWHEEL	SHIMANO M8000-11 11-42 (11)	SHIMANO M7000-11 11-42 (11)	SHIMANO M7000-11 11-42 (11)	SHIMANO HG50-10 11-36 (10)	SHIMANO M7000-11 11-42 (11)	SHIMANO M7000-11 11-42 (11)
CHAIN	SHIMANO HG700	SHIMANO HG601	SHIMANO HG601	KMC X10-1	SHIMANO HG601	SHIMANO HG601
HUBS	MAVIC Crossmax Pro 27.5 UST wheel set 20 holes 15 x 110 mm thru front axle 12 x 142 mm thru rear axle	MAVIC Crossride Light 27.5 wheel set 24 holes 15 x 110 mm thru front axle 12 x 142 mm thru rear axle	AUTHOR Helium 15 / Xenon 12 15 x 100 mm thru front axle 12 x 142 mm thru rear axle 32 holes	AUTHOR Radon / Xenon 12 15 x 100 mm thru front axle 12 x 142 mm thru rear axle 32 holes	MAVIC Crossride Light 27.5 wheel set 24 holes 15 x 110 mm thru front axle Boost 9 x 135 mm thru rear axle	AUTHOR Helium 15 / Xenon 15 x 100mm thru axle 32 holes
BRAKES	SHIMANO XT disc hydraulic (6" rotors)	SHIMANO SLX disc hydraulic (6" rotors)	SHIMANO Deore disc hydraulic (6" rotors)	TEKTRO Gemini disc hydraulic (6" rotors)	SHIMANO SLX disc hydraulic (6" rotors)	SHIMANO Deore disc hydraulic (6" rotors)
BRAKE LEVERS	SHIMANO XT	SHIMANO SLX	SHIMANO Deore	TEKTRO Gemini	SHIMANO SLX	SHIMANO Deore
RIMS	MAVIC Crossmax Pro 27.5 UST wheel set 20 holes	MAVIC Crossride Light 27.5 wheel set 24 holes	AUTHOR Krypton 27.5 32 holes	AUTHOR Xenon Pro 27.5 32 holes	MAVIC Crossride Light 27.5 wheel set 24 holes	AUTHOR Krypton 27.5 32 holes
SPOKES	MAVIC	MAVIC	black stainless steel 2.0 mm	black stainless steel 2.0 mm	MAVIC	black stainless steel 2.0 mm
TIRES	VITTORIA Barzo kevlar TNT 27.5" x 2.10"	VITTORIA Barzo kevlar 27.5" x 2.10"	VITTORIA Barzo kevlar 27.5" x 2.10"	VITTORIA Barzo kevlar 27.5" x 2.25"	VITTORIA Barzo kevlar 27.5" x 2.25"	VITTORIA Barzo kevlar 27.5" x 2.25"
PEDALS	-	-	-	-	-	-
HANDLEBAR	RITCHEY WCS Flat karbon 9° 680 mm	RITCHEY WCS Flat 10° 660 mm	RITCHEY Comp Flat 10° 660 / 700 mm	AUTHOR 9° 660 / 680 mm	RITCHEY WCS Flat 10° 660 / 700 mm	RITCHEY Comp Flat 10° 660 / 700 mm
GRIPS	AUTHOR Pro Lock	AUTHOR Pro Lock	AUTHOR Pro Lock	AUTHOR Pro Lock	AUTHOR Pro Lock	AUTHOR Pro Lock
STEM	RITCHEY WCS 4-Axis	RITCHEY WCS 4-Axis	RITCHEY Comp 4-Axis	AUTHOR alloy	RITCHEY WCS 4-Axis	RITCHEY Comp 4-Axis
SEAT POST	RITCHEY WCS 1B Carbon (31.6)	RITCHEY Comp Carbon (31.6)	RITCHEY Comp (31.6)	AUTHOR alloy (31.6)	RITCHEY Comp Carbon (31.6)	RITCHEY Comp (31.6)
SEAT CLAMP	AUTHOR (34.9)	AUTHOR (34.9)	AUTHOR (34.9)	AUTHOR (34.9)	AUTHOR (34.9)	AUTHOR (34.9)
SADDLE	PROLOGO X Zero II	PROLOGO Nago Evo X10	PROLOGO Nago Evo X10	AUTHOR Navigator	PROLOGO Nago Evo X10	PROLOGO Nago Evo X10
SPEED	22	22	22	30	22	22
WEIGHT	9.6 kg / 19"	10.4 kg / 19"	11.5 kg / 19"	11.8 kg / 19"	11.3 kg / 19"	11.9 kg / 19"

MODEL	INSTINCT	TRACTION	SPIRIT	PEGAS	SOLUTION	IMPULSE	RIVAL
SIZE	15", 17", 19", 21"	15", 17", 19", 21"	15", 17", 19", 21"	15", 17", 19", 21"	15", 17", 19", 21"	15", 17", 19", 21"	15", 17", 19", 21"
FRAME	double butted hydroformed alloy 6061 27.5"	double butted hydroformed alloy 6061 27.5"	hydroformed alloy 6061 27.5"	hydroformed alloy 6061 27.5"	alloy 6061 27.5"	alloy 6061 27.5"	alloy 6061 27.5"
FRONT FORK	RST F1RST 27.5 air, lock out (100 mm)	RST Aerial 27.5 TnL air, lock out (100 mm)	RST Blaze 27.5 TnL oil, lock out (100 mm)	RST Gila 27.5 ML lock out (100 mm)	RST Gila 27.5 ML lock out (100 mm)	RST Gila 27.5 ML lock out (100 mm)	RST Gila 27.5 T (100 mm)
HEAD PARTS	FSA Integrated 1.5" tapered	AUTHOR Integrated 1.5" tapered	AUTHOR Integrated 1.5" tapered	AUTHOR Integrated 1.5" tapered	PRESTINE Integrated 1-1/8"	PRESTINE Integrated 1-1/8"	PRESTINE Integrated 1-1/8"
CHAINWHEEL	SHIMANO SLX 40-30-22 teeth 170 / 175 mm cranks	SHIMANO Deore 40-30-22 teeth 170 / 175 mm cranks	SHIMANO M4000 40-30-22 teeth 170 / 175 mm cranks	SUNTOUR XCM 40-30-22 teeth 170 / 175 mm cranks	SUNTOUR XCM 40-30-22 teeth 170 / 175 mm cranks	PROWHEEL 42-34-24 teeth 170 / 175 mm cranks	PROWHEEL 42-34-24 teeth 170 mm cranks
B.B. PARTS	SHIMANO BB-MT800 BB unit	SHIMANO BB-52 BB unit	SHIMANO ES300 Octalink	SUNTOUR XCT cartridge	SUNTOUR XCT cartridge	VP COMP cartridge	VP COMP cartridge
FRONT DERAILLEUR	SHIMANO Deore (34.9)	SHIMANO Deore (34.9)	SHIMANO Acera (34.9)	SHIMANO Acera (34.9)	SHIMANO Altus (34.9)	SHIMANO TY700 (34.9)	SHIMANO TY700 (34.9)
REAR DERAILLEUR	SHIMANO SLX	SHIMANO Deore	SHIMANO Alivio	SHIMANO Acera	SHIMANO Altus	SHIMANO Altus	SHIMANO TX800
SHIFTERS	SHIMANO SLX (30)	SHIMANO Deore (30)	SHIMANO Alivio (27)	SHIMANO Acera (27)	SHIMANO Altus (27)	SHIMANO Altus (24)	SHIMANO TX800 (24)
FREEWHEEL	SHIMANO HG50-10 11-36 (10)	SHIMANO HG50-10 11-36 (10)	SHIMANO HG400-9 11-34 (9)	SHIMANO HG200-9 11-34 (9)	SHIMANO HG200-9 11-34 (9)	SHIMANO HG200-8 12-32 (8)	SHIMANO HG200-8 12-32 (8)
CHAIN	KMC X10-1	KMC X10-1	KMC Z99	KMC Z99	KMC Z99	KMC Z72	KMC Z72
HUBS	AUTHOR Xenon 32 holes	AUTHOR Radon 32 holes	QUANDO Disc 32 holes	QUANDO Disc 32 holes	QUANDO Disc 32 holes	QUANDO Disc 32 holes	QUANDO Disc 32 holes
BRAKES	SHIMANO BR M425 disc hydraulic (6" rotors)	TEKTRO Gemini disc hydraulic (6" rotors)	TEKTRO Auriga disc hydraulic (6" rotors)	TEKTRO Auriga disc hydraulic (6" rotors)	TEKTRO Auriga disc hydraulic (6" rotors)	TEKTRO disc hydraulic (6" rotors)	TEKTRO disc mechanical (6" rotors)
BRAKE LEVERS	SHIMANO BL M425	TEKTRO Gemini	TEKTRO Auriga	TEKTRO Auriga	TEKTRO Auriga	TEKTRO	SHIMANO TX800
RIMS	AUTHOR Xenon Pro 27.5 32 holes	AUTHOR Xenon Pro 27.5 32 holes	AUTHOR Xenon 27.5 32 holes	AUTHOR Xenon 27.5 32 holes	AUTHOR Xenon 27.5 32 holes	AUTHOR Xenon 27.5 32 holes	AUTHOR Xenon 27.5 32 holes
SPOKES	black stainless steel 2.0 mm	black stainless steel 2.0 mm	black steel	black steel	black steel	black steel	black steel
TIRES	VITTORIA Barzo kevlar 27.5" x 2.25"	VITTORIA Barzo kevlar 27.5" x 2.25"	AUTHOR Rocket 27.5" x 2.10"	AUTHOR Rocket 27.5" x 2.10"	AUTHOR Rocket 27.5" x 2.10"	AUTHOR Rocket 27.5" x 2.10"	AUTHOR Rocket 27.5" x 2.10"
PEDALS	-	AUTHOR alloy	AUTHOR alloy	AUTHOR alloy	resin	resin	resin
HANDLEBAR	AUTHOR 9" 660 / 680 mm	AUTHOR 9" 660 / 680 mm	AUTHOR 9" 660 / 680 mm	AUTHOR 9" 660 / 680 mm	AUTHOR 8" 660 / 680 mm	AUTHOR 8" 660 / 680 mm	steel 20 mm 640 mm
GRIPS	AUTHOR Pro Lock	AUTHOR Pro Lock	AUTHOR Pro Lock	AUTHOR Pro Lock	AUTHOR kratton rubber	AUTHOR kratton rubber	AUTHOR kratton rubber
STEM	AUTHOR alloy	AUTHOR alloy	AUTHOR alloy	AUTHOR alloy	AUTHOR alloy	AUTHOR alloy	ZOOM alloy
SEAT POST	AUTHOR alloy (31.6)	AUTHOR alloy (31.6)	AUTHOR alloy (31.6)	AUTHOR alloy (31.6)	AUTHOR alloy (31.6)	AUTHOR alloy (31.6)	ZOOM alloy (31.6)
SEAT CLAMP	AUTHOR (34.9)	AUTHOR (34.9)	AUTHOR (34.9)	AUTHOR (34.9)	AUTHOR (34.9)	AUTHOR (34.9)	AUTHOR (34.9)
SADDLE	AUTHOR Navigator	AUTHOR Navigator	AUTHOR Navigator	AUTHOR Navigator	AUTHOR Courier	AUTHOR Courier	AUTHOR Courier
SPEED	30	30	27	27	27	24	24
WEIGHT	12.0 kg / 19"	12.9 kg / 19"	14.4 kg / 19"	14.2 kg / 19"	14.2 kg / 19"	14.2 kg / 19"	14.9 kg / 19"



	S/T c-t	T/T h	T/T a	H/T	C/S	W/B	S/T ang.	H/T ang.	F/L	B/B drop	B/B width	F/R
INTROVERT * T 1.5" PF / SECTOR * T 1.5" PF / REVOLT * T 1.5" PF / MODUS * T 1.5" PF												
16"	412	577	556	101	425	1067	73.0	70.0	488	40	73	44
17,5"	445	591	569	106	425	1081	73.0	70.0	488	40	73	44
19"	486	606	581	116	425	1092	72.5	70.0	488	40	73	44
20,5"	526	622	594	126	425	1108	72.5	70.0	488	40	73	44
EGOIST * T 1.5" PF / VISION * T 1.5" PF												
16"	406	575	555	110	425	1065	73.0	70.0	488	40	73	44
17,5"	445	590	566	117	425	1080	73.0	70.0	488	40	73	44
19"	483	605	580	125	425	1095	73.0	70.0	488	40	73	44
20,5"	520	620	595	132	425	1105	72.5	70.0	488	40	73	44
22"	559	635	613	140	425	1120	72.5	70.0	488	40	73	44
INSTINCT * T 1.5" PF / TRACTION * T 1.5" PF / SPIRIT * T 1.5" PF / PEGAS * T 1.5" PF												
15"	381	570	540	115	435	1056	73.0	69.0	495	35	68	44
17"	432	590	554	125	435	1076	73.0	69.0	495	35	68	44
19"	483	615	578	130	435	1101	73.0	69.0	495	35	68	44
21"	533	635	602	140	435	1121	73.0	69.0	495	35	68	44
SOLUTION * / IMPULSE * / RIVAL *												
15"	381	570	540	115	435	1058	73.0	69.0	495	35	68	44
17"	432	590	554	125	435	1081	73.0	69.0	495	35	68	44
19"	483	615	577	130	435	1101	73.0	69.0	495	35	68	44
21"	533	630	596	140	435	1126	73.0	69.0	495	35	68	44

* t 1.5" PF - semiintegrated head set 1.5" tapered PF PF - Press Fit
 * - 1 1/8" semiintegrated head set PF 50 mm

GEOMETRY TABLE LEGEND:

- S/T c-t - seat tube [center-top]
- T/T h - top tube horizontal
- T/T a - top tube actual
- H/T - head tube
- C/S - chain stay
- W/B - wheel base
- S/T ang. - seat tube angle
- H/T ang. - head tube angle
- F/L - fork length
- B/B drop - bottom bracket drop
- B/B width - bottom bracket width
- F/R - fork rake

Recommended frame size to the body height for each model you can find on our web site www.author.eu

MTB ASL 27.5



AUTHOR ALLOY MTB ASL 27.5"

Models INSTINCT ASL, TRACTION ASL, SPIRIT ASL and PEGAS ASL are on 27.5" wheel size already for 4th year. They have the same frame as their men's partners – INSTINCT, TRACTION, SPIRIT and PEGAS, but they are still keeping ASL geometry. For such a frame tubes shape we had to open our own molds. The shaping of the tubes we call and name as AUTHOR HYDROFORM TECHNOLOGY.

AUTHOR HYDROFORM TECHNOLOGY

Frame's Structural Elements

1. direct Post Mount (PM) interface on the left seat stay prepared for 6" rotor
2. the conical head tube compatible with the 1.5" fork's tapered steerer tube
3. the reinforcement gusset between chain and seat stay
4. newly side swing routing through down tube for front derailleur (INSTINCT ASL and TRACTION ASL)

The above mentioned models are for next year completed by SOLUTION ASL, IMPULSE ASL and RIVAL ASL, which belong to frame platform LOGIC II and so have a new frame with it's own hydroformed shape (molds for top and down tube) and geometry, which is specifically tuned according to the wheel size, gender and use. Convexly bended frame top tube will remain on these models.

The applied material is again the well-proven double butted alloy 6061.

The above stated models of AUTHOR MTB ASL collection represent seven models in a different component and frame's quality. They are offered in 14, 16 and 18" size.



2.



4.



SHIMANO
3x10



| INSTINCT ASL |

FRAME	double butted hydroformed alloy 6061 (ASL)	BRAKES	Shimano BR M425 (6"), hydraulic
FORK	RST F1RST 27.5 Air (100 mm travel)	TIRES	Vittoria Barzo Kevlar 27.5" x 2.25"
CHAINWHEEL	Shimano SLX (40-30-22 teeth), BB unit	COLOR	White / Caribbean Green
REAR DERAILLEUR / SHIFTERS	Shimano SLX, 30 speed		

SHIMANO
3x10



| TRACTION ASL |

FRAME	double butted hydroformed alloy 6061 (ASL)	BRAKES	Tektro Gemini (6"), hydraulic
FORK	RST Aerial 27.5 TrL (100 mm travel)	TIRES	Vittoria Barzo Kevlar 27.5" x 2.25"
CHAINWHEEL	Shimano Deore (40-30-22 teeth), BB unit	COLOR	Matte Temple Grey / Suzy Pink
REAR DERAILLEUR / SHIFTERS	Shimano Deore, 30 speed		



| SPIRIT ASL [A] |

FRAME	hydroformed alloy 6061 (ASL)	BRAKES	Tekro Auriga [6"], hydraulic
FORK	RST Blaze 27.5 TnL (100 mm travel)	TIRES	Author Speed Master 27.5" x 2.00"
CHAINWHEEL	Shimano M4000 (40-30-22 teeth)	COLOR A	Matte Treasure Silver / Racing Red
REAR DERAILLEUR / SHIFTERS	Shimano Alivio, 27 speed		



| SPIRIT ASL [B] |

FRAME	hydroformed alloy 6061 (ASL)	BRAKES	Tekro Auriga [6"], hydraulic
FORK	RST Blaze 27.5 TnL (100 mm travel)	TIRES	Author Speed Master 27.5" x 2.00"
CHAINWHEEL	Shimano M4000 (40-30-22 teeth)	COLOR B	Black / Italian Sky
REAR DERAILLEUR / SHIFTERS	Shimano Alivio, 27 speed		



| PEGAS ASL [A] |

FRAME	hydroformed alloy 6061 (ASL)	BRAKES	Tektro Auriga (6"), hydraulic
FORK	RST Gila 27.5 ML (100 mm travel)	TIRES	Author Speed Master 27.5" x 2.00"
CHAINWHEEL	Suntour XCM (40-30-22 teeth)	COLOR A	Matte Temple Grey / Neon Yellow
REAR DERAILLEUR / SHIFTERS	Shimano Acera, 27 speed		



| PEGAS ASL [B] |

FRAME	hydroformed alloy 6061 (ASL)	BRAKES	Tektro Auriga (6"), hydraulic
FORK	RST Gila 27.5 ML (100 mm travel)	TIRES	Author Speed Master 27.5" x 2.00"
CHAINWHEEL	Suntour XCM (40-30-22 teeth)	COLOR B	Matte Treasure Silver / Fresh Lila
REAR DERAILLEUR / SHIFTERS	Shimano Acera, 27 speed		



| SOLUTION ASL [A] |

FRAME	alloy 6061 (ASL)	BRAKES	Tektro Auriga (6"), hydraulic
FORK	RST Gila 27.5 ML (100 mm travel)	TIRES	Author Speed Master 27.5" x 2.00"
CHAINWHEEL	Suntour XCM (40-30-22 teeth)	COLOR A	White / Caribbean Green
REAR DERAILLEUR / SHIFTERS	Shimano Altus, 27 speed		



| SOLUTION ASL [B] |

FRAME	alloy 6061 (ASL)	BRAKES	Tektro Auriga (6"), hydraulic
FORK	RST Gila 27.5 ML (100 mm travel)	TIRES	Author Speed Master 27.5" x 2.00"
CHAINWHEEL	Suntour XCM (40-30-22 teeth)	COLOR B	Matte Ritual Silver / Suzy Pink
REAR DERAILLEUR / SHIFTERS	Shimano Altus, 27 speed		



| IMPULSE ASL [A] |

FRAME	alloy 6061 (ASL)	BRAKES	Tektro (6"), hydraulic
FORK	RST Gila 27.5 ML (100 mm travel)	TIRES	Author Speed Master 27.5" x 2.00"
CHAINWHEEL	Prowheel (42-34-24 teeth)	COLOR A	Suzy Pink / Italian Sky / Black
REAR DERAILLEUR / SHIFTERS	Shimano Altus, 24 speed		



| IMPULSE ASL [B] |

FRAME	alloy 6061 (ASL)	BRAKES	Tektro (6"), hydraulic
FORK	RST Gila 27.5 ML (100 mm travel)	TIRES	Author Speed Master 27.5" x 2.00"
CHAINWHEEL	Prowheel (42-34-24 teeth)	COLOR B	Matte Ritual Silver / Tropic Orange
REAR DERAILLEUR / SHIFTERS	Shimano Altus, 24 speed		



| RIVAL ASL [A] |

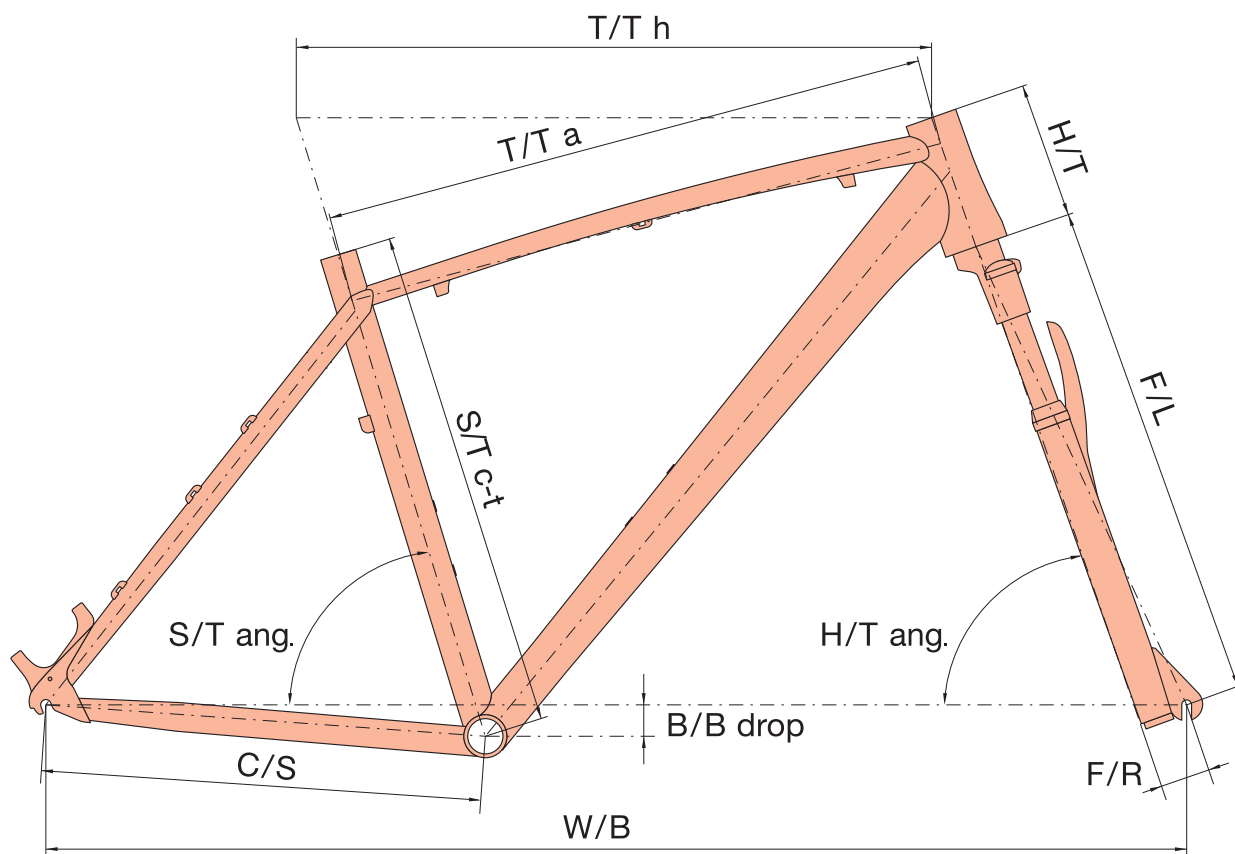
FRAME	alloy 6061 (ASL)	BRAKES	Tektro (6"), mechanical
FORK	RST Gila 27.5 T (100 mm travel)	TIRES	Author Speed Master 27.5" x 2.00"
CHAINWHEEL	Prowheel (42-34-24 teeth)	COLOR A	White / Racing Red
REAR DERAILLEUR / SHIFTERS	Shimano TX800 / TX800, 24 speed		



| RIVAL ASL [B] |

FRAME	alloy 6061 (ASL)	BRAKES	Tektro (6"), mechanical
FORK	RST Gila 27.5 T (100 mm travel)	TIRES	Author Speed Master 27.5" x 2.00"
CHAINWHEEL	Prowheel (42-34-24 teeth)	COLOR B	Matte Temple Grey / Aura Violet / Menthol Green
REAR DERAILLEUR / SHIFTERS	Shimano TX800 / TX800, 24 speed		

MODEL	INSTINCT ASL	TRACTION ASL	SPIRIT ASL	PEGAS ASL	SOLUTION ASL	IMPULSE ASL	RIVAL ASL
SIZE	14", 16", 18"	14", 16", 18"	14", 16", 18"	14", 16", 18"	14", 16", 18"	14", 16", 18"	14", 16", 18"
FRAME	double butted hydroformed alloy 6061 27.5" (ASL)	double butted hydroformed alloy 6061 27.5" (ASL)	hydroformed alloy 6061 27.5" (ASL)	hydroformed alloy 6061 27.5" (ASL)	alloy 6061 27.5" (ASL)	alloy 6061 27.5" (ASL)	alloy 6061 27.5" (ASL)
FRONT FORK	RST F1RST 27.5 air, lock out (100 mm)	RST Aerial 27.5 TnL air, lock out (100 mm)	RST Blaze 27.5 ML lock out (100 mm)	RST Gila 27.5 ML lock out (100 mm)	RST Gila 27.5 ML lock out (100 mm)	RST Gila 27.5 ML lock out (100 mm)	RST Gila 27.5 T (100 mm)
HEAD PARTS	FSA Integrated 1.5" tapered	AUTHOR Integrated 1.5" tapered	AUTHOR Integrated 1.5" tapered	AUTHOR Integrated 1.5" tapered	PRESTINE Integrated 1-1/8"	PRESTINE Integrated 1-1/8"	PRESTINE Integrated 1-1/8"
CHAINWHEEL	SHIMANO SLX 40-30-22 teeth 170 mm cranks	SHIMANO Deore 40-30-22 teeth 170 mm cranks	SHIMANO M4000 40-30-22 teeth 170 mm cranks	SUNTOUR XCM 40-30-22 teeth 170 mm cranks	SUNTOUR XCM 40-30-22 teeth 170 mm cranks	PROWHEEL 42-34-24 teeth 170 mm cranks	PROWHEEL 42-34-24 teeth 170 mm cranks
B.B. PARTS	SHIMANO BB-MT800 BB unit	SHIMANO BB-52 BB unit	SHIMANO ES300 Octalink	SUNTOUR XCT cartridge	SUNTOUR XCT cartridge	VP COMP cartridge	VP COMP cartridge
FRONT DERAILLEUR	SHIMANO Deore (34.9)	SHIMANO Deore (34.9)	SHIMANO Acera (34.9)	SHIMANO Acera (34.9)	SHIMANO Altus (34.9)	SHIMANO TY700 (34.9)	SHIMANO TY700 (34.9)
REAR DERAILLEUR	SHIMANO SLX	SHIMANO Deore	SHIMANO Alivio	SHIMANO Acera	SHIMANO Altus	SHIMANO Altus	SHIMANO TX800
SHIFTERS	SHIMANO SLX (30)	SHIMANO Deore (30)	SHIMANO Alivio (27)	SHIMANO Acera (27)	SHIMANO Altus (27)	SHIMANO Altus (24)	SHIMANO TX800 (24)
FREEWHEEL	SHIMANO HG50-10 11-36 (10)	SHIMANO HG50-10 11-36 (10)	SHIMANO HG400-9 11-34 (9)	SHIMANO HG200-9 11-34 (9)	SHIMANO HG200-9 11-34 (9)	SHIMANO HG200-8 12-32 (8)	SHIMANO HG200-8 12-32 (8)
CHAIN	KMC X10-1	KMC X10-1	KMC Z99	KMC Z99	KMC Z99	KMC Z72	KMC Z72
HUBS	AUTHOR Xenon 32 holes	AUTHOR Radon 32 holes	QUANDO Disc 32 holes	QUANDO Disc 32 holes	QUANDO Disc 32 holes	QUANDO Disc 32 holes	QUANDO Disc 32 holes
BRAKES	SHIMANO BR M425 disc hydraulic (6" rotors)	TEKTRO Gemini disc hydraulic (6" rotors)	TEKTRO Auriga disc hydraulic (6" rotors)	TEKTRO Auriga disc hydraulic (6" rotors)	TEKTRO Auriga disc hydraulic (6" rotors)	TEKTRO disc hydraulic (6" rotors)	TEKTRO disc mechanical (6" rotors)
BRAKE LEVERS	SHIMANO BL M425	TEKTRO Gemini WS	TEKTRO Auriga WS	TEKTRO Auriga WS	TEKTRO Auriga WS	TEKTRO WS	SHIMANO TX800
RIMS	AUTHOR Xenon Pro 27.5 32 holes	AUTHOR Xenon Pro 27.5 32 holes	AUTHOR Xenon 27.5 32 holes	AUTHOR Xenon 27.5 32 holes	AUTHOR Xenon 27.5 32 holes	AUTHOR Xenon 27.5 32 holes	AUTHOR Xenon 27.5 32 holes
SPOKES	black stainless steel 2.0 mm	black stainless steel 2.0 mm	black steel	black steel	black steel	black steel	black steel
TIRES	VITTORIA Barzo kevlar 27.5" x 2.25"	VITTORIA Barzo kevlar 27.5" x 2.25"	AUTHOR Speed Master 27.5" x 2.00"	AUTHOR Speed Master 27.5" x 2.00"	AUTHOR Speed Master 27.5" x 2.00"	AUTHOR Speed Master 27.5" x 2.00"	AUTHOR Speed Master 27.5" x 2.00"
PEDALS	-	AUTHOR alloy	AUTHOR alloy	AUTHOR alloy	resin	resin	resin
HANDLEBAR	AUTHOR 9° 640 / 660 mm	AUTHOR 9° 640 / 660 mm	AUTHOR 9° 640 / 660 mm	AUTHOR 9° 640 / 660 mm	AUTHOR 8° 640 / 660 mm	AUTHOR 8° 640 / 660 mm	steel 20 mm 640 mm
GRIPS	AUTHOR GripLock foam	AUTHOR GripLock foam	AUTHOR GripLock foam	AUTHOR GripLock foam	AUTHOR high density foam	AUTHOR high density foam	AUTHOR high density foam
STEM	AUTHOR alloy	AUTHOR alloy	AUTHOR alloy	AUTHOR alloy	AUTHOR alloy	AUTHOR alloy	ZOOM alloy
SEAT POST	AUTHOR alloy (31.6)	AUTHOR alloy (31.6)	AUTHOR alloy (31.6)	AUTHOR alloy (31.6)	AUTHOR alloy (31.6)	AUTHOR alloy (31.6)	ZOOM alloy (31.6)
SEAT CLAMP	AUTHOR (34.9)	AUTHOR (34.9)	AUTHOR (34.9)	AUTHOR (34.9)	AUTHOR (34.9)	AUTHOR (34.9)	AUTHOR (34.9)
SADDLE	AUTHOR Fenix	AUTHOR Fenix	AUTHOR Fenix	AUTHOR Fenix	AUTHOR Fenix	AUTHOR Fenix	AUTHOR Fenix
SPEED	30	30	27	27	27	24	24
WEIGHT	11.9 kg / 16"	12.7 kg / 16"	14.8 kg / 16"	14.6 kg / 16"	14.6 kg / 16"	14.5 kg / 16"	15.0 kg / 16"



	S/T c-t	T/T h	T/T a	H/T	C/S	W/B	S/T ang.	H/T ang.	F/L	B/B drop	B/B width	F/R
INSTINCT ASL * t 1.5" PF / TRACTION ASL * t 1.5" PF / SPIRIT ASL * t 1.5" PF / PEGAS ASL * t 1.5" PF												
14"	356	545	541	110	425	1033	73.0	70.0	495	45	68	44
16"	406	560	545	120	425	1054	73.0	69.5	495	45	68	44
18"	457	585	563	130	425	1080	73.0	69.5	495	45	68	44
SOLUTION ASL * / IMPULSE ASL *												
14"	356	545	541	110	425	1033	73.0	70.0	495	45	68	44
16"	406	560	545	120	425	1054	73.0	69.5	495	45	68	44
18"	457	585	563	130	425	1079	73.0	69.5	495	45	68	44

* t 1.5" PF - semiintegrated head set 1.5" tapered PF

PF - Press Fit

* - 1 1/8" semiintegrated head set PF 50 mm

GEOMETRY TABLE LEGEND:

- S/T c-t - seat tube (center-top)
- T/T h - top tube horizontal
- T/T a - top tube actual
- H/T - head tube
- C/S - chain stay
- W/B - wheel base
- S/T ang. - seat tube angle
- H/T ang. - head tube angle
- F/L - fork length
- B/B drop - bottom bracket drop
- B/B width - bottom bracket width
- F/R - fork rake

Recommended frame size to the body height for each model you can find on our web site www.author.eu



MTB 26

COLLECTION 2018

AUTHOR ALLOY MTB 26"

Frame's platform LOGIC I and LOGIC II

From model year 2015 and on we distinguish MTB alloy models according to the frame platforms, which include wheel sizes 26", 27.5" and 29" into the groups of LOGIC I and LOGIC II.

LOGIC I covers models PROFILE, SPECTRA, OUTSET, UNICA, TROPHY and VECTRA, which are overtaking comfy and playfull geometry from models GANGSTA and NIKITA. The frame, of which base is round tubes shape, take advantage of well proven cable routing under top tube. LOGIC I group models are built on plain gauge tubes from alloy 6061.

Model QUANTA belong to frame platform LOGIC II and so has a frame with it's own hydroformed shape (molds for top and down tube) and geometry, which is specifically tuned according to the wheel size, gender and use. The applied material is again the well-proven double butted alloy 6061.





| QUANTA [A] |

FRAME	hydroformed alloy 6061	BRAKES	Tektro V
FORK	RST Gila 26 T (80 mm travel)	TIRES	Author Speed Master 26" x 2.00"
CHAINWHEEL	Prowheel (42-34-24 teeth)	COLOR A	Treasure Silver / Lila
REAR DERAILLEUR / SHIFTERS	Shimano Altus, 24 speed		



| QUANTA [B] |

FRAME	hydroformed alloy 6061	BRAKES	Tektro V
FORK	RST Gila 26 T (80 mm travel)	TIRES	Author Speed Master 26" x 2.00"
CHAINWHEEL	Prowheel (42-34-24 teeth)	COLOR B	Matte Temple Grey / Lime
REAR DERAILLEUR / SHIFTERS	Shimano Altus, 24 speed		



| PROFILE [A] |

FRAME	alloy 6061	BRAKES	Tektro (6"), mechanical
FORK	RST Capa 26 T (80 mm travel)	TIRES	Author Rocket 26" x 2.10"
CHAINWHEEL	Prowheel (42-34-24 teeth)	COLOR A	White / Navy Blue
REAR DERAILLEUR / SHIFTERS	Shimano TX800 / Shimano, 24 speed		



| PROFILE [B] |

FRAME	alloy 6061	BRAKES	Tektro (6"), mechanical
FORK	RST Capa 26 T (80 mm travel)	TIRES	Author Rocket 26" x 2.10"
CHAINWHEEL	Prowheel (42-34-24 teeth)	COLOR B	Matte Temple Grey / Neon Yellow
REAR DERAILLEUR / SHIFTERS	Shimano TX800 / Shimano, 24 speed		



| SPECTRA [A] |

FRAME	alloy 6061	BRAKES	Tektro V
FORK	RST Capa 26 T (80 mm travel)	TIRES	Author Speed Master 26" x 2.00"
CHAINWHEEL	Prowheel (42-34-24 teeth)	COLOR A	Matte McLaren Silver / Tropical Orange
REAR DERAILLEUR / SHIFTERS	Shimano TX800 / Shimano, 24 speed		



| SPECTRA [B] |

FRAME	alloy 6061	BRAKES	Tektro V
FORK	RST Capa 26 T (80 mm travel)	TIRES	Author Speed Master 26" x 2.00"
CHAINWHEEL	Prowheel (42-34-24 teeth)	COLOR B	Matte Ritual Silver / Suzy Pink
REAR DERAILLEUR / SHIFTERS	Shimano TX800 / Shimano, 24 speed		



| OUTSET [A] |

FRAME	alloy 6061	BRAKES	Tektro V
FORK	RST Capa 26 T (80 mm travel)	TIRES	Author Rocket 26" x 2.10"
CHAINWHEEL	Prowheel (42-34-24 teeth)	COLOR A	Matte Black / Neon Orange
REAR DERAILLEUR / SHIFTERS	Shimano TY500 / Shimano, 21 speed		



| OUTSET [B] |

FRAME	alloy 6061	BRAKES	Tektro V
FORK	RST Capa 26 T (80 mm travel)	TIRES	Author Rocket 26" x 2.10"
CHAINWHEEL	Prowheel (42-34-24 teeth)	COLOR B	Matte McLaren Silver / Racing Red / Black
REAR DERAILLEUR / SHIFTERS	Shimano TY500 / Shimano, 21 speed		



| OUTSET [C] |

FRAME	alloy 6061	BRAKES	Tektro V
FORK	RST Capa 26 T (80 mm travel)	TIRES	Author Rocket 26" x 2.10"
CHAINWHEEL	Prowheel (42-34-24 teeth)	COLOR C	Matte Temple Grey / Kawa Green
REAR DERAILLEUR / SHIFTERS	Shimano TY500 / Shimano, 21 speed		



| UNICA [A] |

FRAME	alloy 6061	BRAKES	Tektro V
FORK	RST Capa 26 T (80 mm travel)	TIRES	Author Speed Master 26" x 2.00"
CHAINWHEEL	Prowheel (42-34-24 teeth)	COLOR A	Matte Temple Grey / Mental Green
REAR DERAILLEUR / SHIFTERS	Shimano TY500 / Shimano, 21 speed		



| UNICA [B] |

FRAME	alloy 6061	BRAKES	Tektro V
FORK	RST Capa 26 T (80 mm travel)	TIRES	Author Speed Master 26" x 2.00"
CHAINWHEEL	Prowheel (42-34-24 teeth)	COLOR B	White / Racing Red
REAR DERAILLEUR / SHIFTERS	Shimano TY500 / Shimano, 21 speed		





| TROPHY [A] |

FRAME	hi-ten	BRAKES	alloy V
FORK	Zoom (60 mm travel)	TIRES	Author Speed Master 26" x 2.00"
CHAINWHEEL	Prowheel (42-34-24 teeth)	COLOR A	Black / Neon Green
REAR DERAILLEUR / SHIFTERS	Shimano TY21 / Shimano, 18 speed		



| TROPHY [B] |

FRAME	hi-ten	BRAKES	alloy V
FORK	Zoom (60 mm travel)	TIRES	Author Speed Master 26" x 2.00"
CHAINWHEEL	Prowheel (42-34-24 teeth)	COLOR B	Matte Ritual Silver / Andaman Blue
REAR DERAILLEUR / SHIFTERS	Shimano TY21 / Shimano, 18 speed		



| VECTRA [A] |

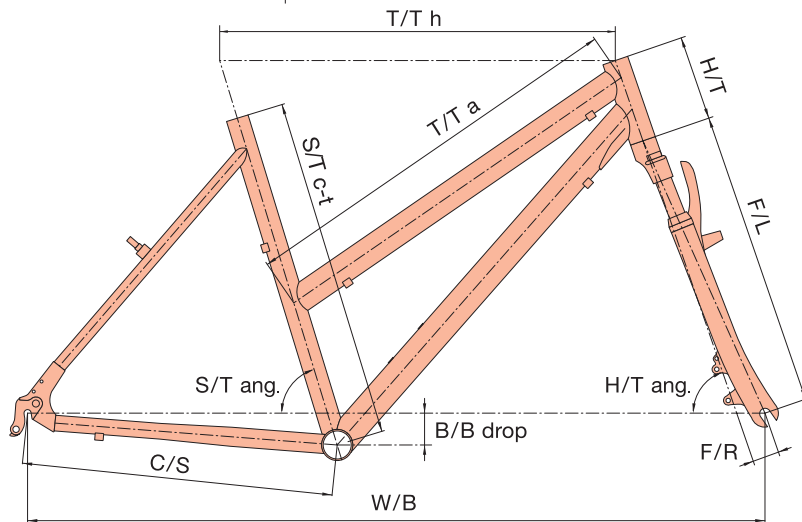
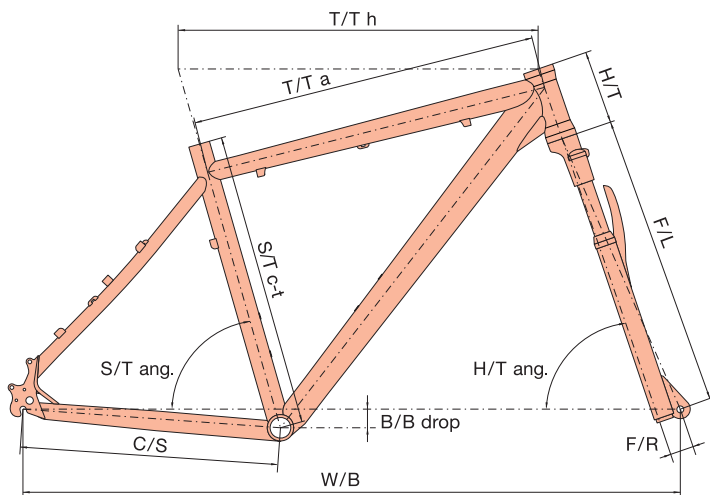
FRAME	hi-ten	BRAKES	alloy V
FORK	Zoom (60 mm travel)	TIRES	Author Speed Master 26" x 2.00"
CHAINWHEEL	Prowheel (42-34-24 teeth)	COLOR A	White / Raspberry Red
REAR DERAILLEUR / SHIFTERS	Shimano TY21 / Shimano, 18 speed		



| VECTRA [B] |

FRAME	hi-ten	BRAKES	alloy V
FORK	Zoom (60 mm travel)	TIRES	Author Speed Master 26" x 2.00"
CHAINWHEEL	Prowheel (42-34-24 teeth)	COLOR B	Matte Ritual Silver / Suzy Pink
REAR DERAILLEUR / SHIFTERS	Shimano TY21 / Shimano, 18 speed		

MODEL	QUANTA	PROFILE	SPECTRA	OUTSET	UNICA	TROPHY	VECTRA
SIZE	16", 18"	15", 17", 19", 21"	16", 18"	15", 17", 19", 21"	16", 18"	15", 17", 19", 21"	16", 18"
FRAME	hydroformed alloy 6061 26" (L)	alloy 6061 26"	alloy 6061 26" (L)	alloy 6061 26"	alloy 6061 26" (L)	hi-ten 26"	hi-ten 26" (L)
FRONT FORK	RST Gila 26 T (80 mm)	RST Capa 26 T (80 mm)	RST Capa 26 T (80 mm)	RST Capa 26 T (80 mm)	RST Capa 26 T (80 mm)	ZOOM (60 mm)	ZOOM (60 mm)
HEAD PARTS	PRESTINE Integrated 1-1/8"	PRESTINE Integrated 1-1/8"	PRESTINE Integrated 1-1/8"	PRESTINE 1-1/8"	PRESTINE 1-1/8"	VP COMP 1"	VP COMP 1"
CHAINWHEEL	PROWHEEL 42-34-24 teeth 170 mm cranks	PROWHEEL 42-34-24 teeth 170 mm cranks	PROWHEEL 42-34-24 teeth 170 mm cranks	PROWHEEL 42-34-24 teeth 170 mm cranks	PROWHEEL 42-34-24 teeth 170 mm cranks	PROWHEEL 42-34-24 teeth 170 mm cranks	PROWHEEL 42-34-24 teeth 170 mm cranks
B.B. PARTS	VP COMP cartridge	VP COMP cartridge	VP COMP cartridge	VP COMP cartridge	VP COMP cartridge	VP COMP	VP COMP
FRONT DERAILLEUR	SHIMANO TY700 (34.9)	SHIMANO TY700 (34.9)	SHIMANO TY700 (34.9)	SHIMANO TY500 (34.9)	SHIMANO TY500 (34.9)	SHIMANO TY500 (28.6)	SHIMANO TY500 (28.6)
REAR DERAILLEUR	SHIMANO Altus	SHIMANO TX800	SHIMANO TX800	SHIMANO TY500	SHIMANO TY500	SHIMANO TY21	SHIMANO TY21
SHIFTERS	SHIMANO Altus (24)	SHIMANO TX800 (24)	SHIMANO TX800 (24)	SHIMANO (21)	SHIMANO (21)	SHIMANO (18)	SHIMANO (18)
FREEWHEEL	SHIMANO HG200-8 12-32 (8)	SHIMANO HG200-8 12-32 (8)	SHIMANO HG200-8 12-32 (8)	SHIMANO MF-TZ21 14-28 (7)	SHIMANO MF-TZ21 14-28 (7)	SHIMANO MF-TZ20 14-28 (6)	SHIMANO MF-TZ20 14-28 (6)
CHAIN	KMC Z72	KMC Z72	KMC Z72	KMC Z51	KMC Z51	KMC Z50	KMC Z50
HUBS	QUANDO 32 holes	QUANDO Disc 32 holes	QUANDO 36 holes	QUANDO 36 holes	QUANDO 36 holes	QUANDO 36 holes	QUANDO 36 holes
BRAKES	TEKTRO V	TEKTRO disc mechanical (6" rotors)	TEKTRO V	TEKTRO V	TEKTRO V	V brakes	V brakes
BRAKE LEVERS	SHIMANO Altus	SHIMANO TX800	SHIMANO TX800	SHIMANO	SHIMANO	SHIMANO	SHIMANO
RIMS	AUTHOR Argon 32 holes	alloy 32 holes	alloy 36 holes	alloy 36 holes	alloy 36 holes	alloy 36 holes	alloy 36 holes
SPOKES	black steel	steel	steel	steel	steel	steel	steel
TIRES	AUTHOR Speed Master 26" x 2.00"	AUTHOR Rocket 26" x 2.10"	AUTHOR Speed Master 26" x 2.00"	AUTHOR Rocket 26" x 2.10"	AUTHOR Speed Master 26" x 2.00"	AUTHOR Speed Master 26" x 2.00"	AUTHOR Speed Master 26" x 2.00"
PEDALS	resin	resin	resin	resin	resin	resin	resin
HANDLEBAR	AUTHOR 8° 620 / 640 mm	steel 20 mm 640 mm	steel 20 mm 640 mm	steel 20 mm 640 mm	steel 20 mm 640 mm	steel 20 mm 640 mm	steel 20 mm 640 mm
GRIPS	AUTHOR high density foam	AUTHOR high density foam	AUTHOR high density foam	AUTHOR high density foam	AUTHOR high density foam	PVC	PVC
STEM	AUTHOR alloy	ZOOM alloy	ZOOM alloy	ZOOM alloy	ZOOM alloy	steel	steel
SEAT POST	AUTHOR alloy (31.6)	ZOOM alloy (31.6)	ZOOM alloy (31.6)	steel (31.6)	steel (31.6)	steel (25.4)	steel (25.4)
SEAT CLAMP	AUTHOR (34.9)	AUTHOR (34.9)	AUTHOR (34.9)	AUTHOR (34.9)	AUTHOR (34.9)	-	-
SADDLE	AUTHOR Noble	AUTHOR Courier	AUTHOR Noble	AUTHOR	AUTHOR	AUTHOR	AUTHOR
SPEED	24	24	24	21	21	18	18
WEIGHT	13.8 kg / 16"	14.9 kg / 19"	14.3 kg / 16"	14.5 kg / 19"	14.2 kg / 16"	16.6 kg / 19"	16.3 kg / 16"



	S/T c-t	T/T h	T/T a	H/T	C/S	W/B	S/T ang.	H/T ang.	F/L	B/B drop	B/B width	F/R
QUANTA *												
16"	406	570	577	120	420	1051	73.0	70.0	460	30	68	38
18"	457	595	600	130	420	1077	73.0	70.0	460	30	68	38
PROFILE *												
15"	381	560	545	130	420	1051	73	69.5	480	25	68	38
17"	432	585	562	130	420	1079	73	69.5	480	25	68	38
19"	483	610	585	140	420	1101	73	69.5	480	25	68	38
21"	533	635	614	140	420	1126	73	69.5	480	25	68	38
SPECTRA *												
16"	406	570	576	120	420	1051	73.0	70.0	460	30	68	38
18"	457	595	600	130	420	1077	73.0	70.0	460	30	68	38
OUTSET												
15"	381	560	543	130	420	1044	73.0	69.5	460	25	68	38
17"	432	585	562	135	420	1075	73.0	69.5	460	25	68	38
19"	483	610	586	140	420	1100	73.0	69.5	460	25	68	38
UNICA												
16"	406	570	582	130	420	1052	73.0	70.0	460	30	68	38
18"	457	595	602	130	420	1071	73.0	70.0	460	30	68	38
TROPHY												
15"	381	560	541	130	420	1044	73.0	69.5	446	25	68	32
17"	432	585	561	135	420	1069	73.0	69.5	446	25	68	32
19"	483	610	587	140	420	1094	73.0	69.5	446	25	68	32
21"	533	635	617	140	420	1119	73.0	69.5	446	25	68	32
VECTRA												
16"	406	570	577	130	420	1045	73.0	70.0	446	30	68	32
18"	457	595	598	130	420	1070	73.0	70.0	446	30	68	32

* - 1 1/8" semiintegrated head set PF 50 mm

PF - Press Fit

GOMETRY TABLE LEGEND:

- S/T c-t - seat tube (center-top)
- T/T h - top tube horizontal
- T/T a - top tube actual
- H/T - head tube
- C/S - chain stay
- W/B - wheel base
- S/T ang. - seat tube angle
- H/T ang. - head tube angle
- F/L - fork length
- B/B drop - bottom bracket drop
- B/B width - bottom bracket width
- F/R - fork rake

Recommended frame size to the body height for each model you can find on our web site www.author.eu

CROSS



AUTHOR CARBON CROSS

Our own carbon Cross frame is build up model SYNERGY, which is offered in four sizes: 16, 18, 20 and 22".

Frame's Structural Elements

1. Post Mount (PM) interface on the rear chain stay prepared for 6" rotor
2. Inner Cable Routing (ICR) for both derailleurs led through the top frame tube
3. the conical head tube compatible with the 1.5" fork's tapered steerer tube
4. application of the stainless steel stickers on the chain stay and down tube
5. holes in the bridges of both chain and seat stay, and a threaded hole in the frame drop out for fender stays



AUTHOR ALLOY CROSS

From model year of 2016 we are offering new COMFORT CROSS GEOMETRY for frame platforms AUTHOR alloy CROSS in the RESPECT and LOGIC level. The main features of this new cross geometry are longer top tube combined with shorter stem, longer head tube and lower BB shell. The name itself indicates this is a very comfortable and entertaining geometry.

RESPECT frame platform (models CODEX, AIRLINE, MISSION, GRAND, STRATOS and VISTA) have an alloy frame, which is equipped with the integrated interface for International Standard (IS) disc mount and kick stand.

With the platform LOGIC (models VERTIGO, CLASSIC, HORIZON, COMPACT, INTEGRA, LINEA, LUMINA and THEMA) this geometry is applied to the frame, whose basic feature is the round shape of tubes. Threaded eye lets on the rear stay for carrier and mudguard stays are matter of course.

Cross bikes on alloy frames use again the well-proven alloy 6061 frame's material. That is either triple or double butted or plain gauge.





SHIMANO
3x10



| SYNERGY |

FRAME	Author C carbon monocoque	BRAKES	Tektro Gemini (6"), hydraulic
FORK	RST Vogue Air TRL (60 mm travel)	TIRES	Author Panaracer Silk Road Cross kevlar 700 x 42c
CHAINWHEEL	Shimano LX (48-36-26 teeth), BB unit	COLOR	Matte Carbon / Neon Yellow
REAR DERAILLEUR / SHIFTERS	Shimano XT / LX, 30 speed		



SHIMANO
3x10



| CODEX |

FRAME	triple butted alloy 6061	BRAKES	Tektro Gemini (6"), hydraulic
FORK	RST Vogue Air TRL (60 mm travel)	TIRES	Author Panaracer Silk Road Cross kevlar 700 x 42c
CHAINWHEEL	Shimano Deore (48-36-26 teeth), BB unit	COLOR	Matte Black / Neon Yellow
REAR DERAILLEUR / SHIFTERS	Shimano XT / LX, 30 speed		

SHIMANO
3x10



| AIRLINE |

FRAME	triple butted alloy 6061	BRAKES	Tektro Gemini (6"), hydraulic
FORK	RST Vita TnL (60 mm travel)	TIRES	Author Panaracer Silk Road Cross 700 x 42c
CHAINWHEEL	Shimano Deore (48-36-26 teeth), BB unit	COLOR	Matte McLaren Silver / Racing Red
REAR DERAILLEUR / SHIFTERS	Shimano Deore, 30 speed		



| MISSION |

FRAME	triple butted alloy 6061	BRAKES	Tektro Gemini (6"), hydraulic
FORK	RST Vita TnL (60 mm travel)	TIRES	Author Panaracer Silk Road Cross 700 x 42c
CHAINWHEEL	Shimano (48-36-26 teeth), BB unit	COLOR	Matte Temple Grey / Andaman Sea
REAR DERAILLEUR / SHIFTERS	Shimano Alivio, 27 speed		



| GRAND |

FRAME	alloy 6061	BRAKES	Tektro Vela (6"), hydraulic
FORK	RST Nova ML (60 mm travel)	TIRES	Author Panaracer Silk Road Cross 700 x 42c
CHAINWHEEL	Suntour NCX (48-38-28 teeth)	COLOR	Matte Black / Neon Yellow
REAR DERAILLEUR / SHIFTERS	Shimano Acera, 27 speed		



| STRATOS [A] |

FRAME	alloy 6061	BRAKES	Tektro V
FORK	RST Nova ML (60 mm travel)	TIRES	Author Panaracer Silk Road Cross 700 x 42c
CHAINWHEEL	Suntour NCX (48-38-28 teeth)	COLOR A	McLaren Silver / Rainforest Green / Black
REAR DERAILLEUR / SHIFTERS	Shimano Acera, 27 speed		



| STRATOS [B] |

FRAME	alloy 6061	BRAKES	Tektro V
FORK	RST Nova ML (60 mm travel)	TIRES	Author Panaracer Silk Road Cross 700 x 42c
CHAINWHEEL	Suntour NCX (48-38-28 teeth)	COLOR B	Matte Black / Racing Red
REAR DERAILLEUR / SHIFTERS	Shimano Acera, 27 speed		



| VISTA [A] |

FRAME	alloy 6061	BRAKES	Tektro V
FORK	RST Nova ML (60 mm travel)	TIRES	Author Panaracer Silk Road Cross 700 x 42c
CHAINWHEEL	Suntour NCX (44-32-22 teeth)	COLOR A	Matte Temple Grey / Italian Blue
REAR DERAILLEUR / SHIFTERS	Shimano Acera, 27 speed		



| VISTA [B] |

FRAME	alloy 6061	BRAKES	Tektro V
FORK	RST Nova ML (60 mm travel)	TIRES	Author Panaracer Silk Road Cross 700 x 42c
CHAINWHEEL	Suntour NCX (44-32-22 teeth)	COLOR B	White / Suzy Pink / Black
REAR DERAILLEUR / SHIFTERS	Shimano Acera, 27 speed		



| VERTIGO [A] |

FRAME	alloy 6061	BRAKES	Tektro (6"), hydraulic
FORK	RST Nova ML (60 mm travel)	TIRES	Author Speed Master 700 x 42c
CHAINWHEEL	Suntour NCX (48-38-28 teeth)	COLOR A	Matte McLaren Silver / Navy Blue
REAR DERAILLEUR / SHIFTERS	Shimano Altus, 27 speed		



| VERTIGO [B] |

FRAME	alloy 6061	BRAKES	Tektro (6"), hydraulic
FORK	RST Nova ML (60 mm travel)	TIRES	Author Speed Master 700 x 42c
CHAINWHEEL	Suntour NCX (48-38-28 teeth)	COLOR B	Matte Black / Kawa Green
REAR DERAILLEUR / SHIFTERS	Shimano Altus, 27 speed		



| CLASSIC [A] |

FRAME	alloy 6061	BRAKES	Tektro V
FORK	RST Neon ML (60 mm travel)	TIRES	Author Speed Master 700 x 42c
CHAINWHEEL	Suntour NCX (48-38-28 teeth)	COLOR A	Kongo Green / Black
REAR DERAILLEUR / SHIFTERS	Shimano Altus, 27 speed		



| CLASSIC [B] |

FRAME	alloy 6061	BRAKES	Tektro V
FORK	RST Neon ML (60 mm travel)	TIRES	Author Speed Master 700 x 42c
CHAINWHEEL	Suntour NCX (48-38-28 teeth)	COLOR B	Matte Ritual Silver / Racing Red
REAR DERAILLEUR / SHIFTERS	Shimano Altus, 27 speed		



| INTEGRA [A] |

FRAME	alloy 6061	BRAKES	Tektro V
FORK	RST Neon ML (60 mm travel)	TIRES	Author Speed Master 700 x 42c
CHAINWHEEL	Suntour NCX (44-32-22 teeth)	COLOR A	Matte Temple Grey / Suzy Pink
REAR DERAILLEUR / SHIFTERS	Shimano Altus, 27 speed		



| INTEGRA [B] |

FRAME	alloy 6061	BRAKES	Tektro V
FORK	RST Neon ML (60 mm travel)	TIRES	Author Speed Master 700 x 42c
CHAINWHEEL	Suntour NCX (44-32-22 teeth)	COLOR B	White / Tropic Orange / Black
REAR DERAILLEUR / SHIFTERS	Shimano Altus, 27 speed		



| HORIZON [A] |

FRAME	alloy 6061	BRAKES	Tektro V
FORK	RST Neon T (60 mm travel)	TIRES	Author Speed Master 700 x 42c
CHAINWHEEL	Prowheel (48-38-28 teeth)	COLOR A	White / Rainforest Green / Black
REAR DERAILLEUR / SHIFTERS	Shimano Altus, 24 speed		



| HORIZON [B] |

FRAME	alloy 6061	BRAKES	Tektro V
FORK	RST Neon T (60 mm travel)	TIRES	Author Speed Master 700 x 42c
CHAINWHEEL	Prowheel (48-38-28 teeth)	COLOR B	Matte Treasure Silver / Andaman Sea
REAR DERAILLEUR / SHIFTERS	Shimano Altus, 24 speed		



| LINEA [A] |

FRAME	alloy 6061	BRAKES	Tektro V
FORK	RST Neon T (60 mm travel)	TIRES	Author Speed Master 700 x 42c
CHAINWHEEL	Prowheel (42-34-24 teeth)	COLOR A	White / Caribbean Green
REAR DERAILLEUR / SHIFTERS	Shimano Altus, 24 speed		



| LINEA [B] |

FRAME	alloy 6061	BRAKES	Tektro V
FORK	RST Neon T (60 mm travel)	TIRES	Author Speed Master 700 x 42c
CHAINWHEEL	Prowheel (42-34-24 teeth)	COLOR B	Matte Ritual Silver / Raspberry Red
REAR DERAILLEUR / SHIFTERS	Shimano Altus, 24 speed		



| LUMINA [A] |

FRAME	alloy 6061	BRAKES	Tektro V
FORK	hi-ten	TIRES	Author Speed Master 700 x 42c
CHAINWHEEL	Prowheel (36 teeth)	COLOR A	White / Fresh Lila
REAR DERAILLEUR / SHIFTERS	Shimano TX800 / Revoshift, 8 speed		



| LUMINA [B] |

FRAME	alloy 6061	BRAKES	Tektro V
FORK	hi-ten	TIRES	Author Speed Master 700 x 42c
CHAINWHEEL	Prowheel (36 teeth)	COLOR B	Matte Black / Menthol Green
REAR DERAILLEUR / SHIFTERS	Shimano TX800 / Revoshift, 8 speed		



| COMPACT [A] |

FRAME	alloy 6061	BRAKES	Tektro V
FORK	RST Neon T (60 mm travel)	TIRES	Author Speed Master 700 x 42c
CHAINWHEEL	Prowheel (48-38-28 teeth)	COLOR A	Matte Temple Grey / Kawa Green
REAR DERAILLEUR / SHIFTERS	Shimano TY500 / Shimano, 21 speed		



| COMPACT [B] |

FRAME	alloy 6061	BRAKES	Tektro V
FORK	RST Neon T (60 mm travel)	TIRES	Author Speed Master 700 x 42c
CHAINWHEEL	Prowheel (48-38-28 teeth)	COLOR B	Matte Treasure Silver / Racing Red
REAR DERAILLEUR / SHIFTERS	Shimano TY500 / Shimano, 21 speed		



| THEMA [A] |

FRAME	alloy 6061
FORK	hi-ten
CHAINWHEEL	Prowheel (42-34-24 teeth)
REAR DERAILLEUR / SHIFTERS	Shimano TY500 / Shimano, 21 speed

BRAKES	Tektro V
TIRES	Author Speed Master 700 x 42c
COLOR A	McLaren Silver / Tropic Orange



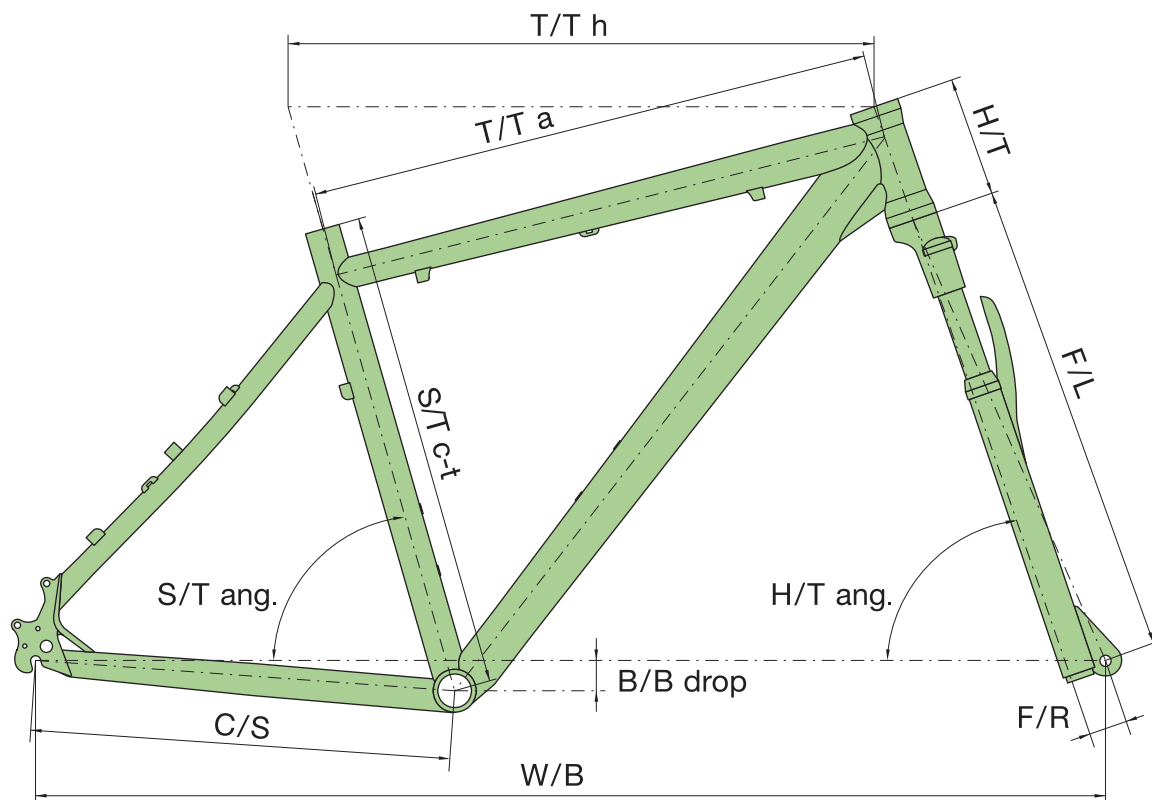
| THEMA [B] |

FRAME	alloy 6061
FORK	hi-ten
CHAINWHEEL	Prowheel (42-34-24 teeth)
REAR DERAILLEUR / SHIFTERS	Shimano TY500 / Shimano, 21 speed

BRAKES	Tektro V
TIRES	Author Speed Master 700 x 42c
COLOR B	Matte Temple Grey / Suzy Pink

MODEL	SYNERGY	CODEX	AIRLINE	MISSION	GRAND	STRATOS	VISTA
SIZE	16", 18", 20", 22"	16", 18", 20", 22"	16", 18", 20", 22"	16", 18", 20", 22"	16", 18", 20", 22"	16", 18", 20", 22"	17", 19"
FRAME	AUTHOR C carbon monocoque 700c	triple butted alloy 6061 700c	triple butted alloy 6061 700c	triple butted alloy 6061 700c	alloy 6061 700c	alloy 6061 700c	alloy 6061 700c (L)
FRONT FORK	RST Vogue Air TRL air, remote lock out 1.5" tapered steerer (60 mm)	RST Vogue Air TRL air, remote lock out (60 mm)	RST Vita TnL oil, lock out (60 mm)	RST Vita TnL oil, lock out (60 mm)	RST Nova ML lock out (60 mm)	RST Nova ML lock out (60 mm)	RST Nova ML lock out (60 mm)
HEAD PARTS	AUTHOR Integrated 1.5" tapered	AUTHOR Integrated 1-1/8"	AUTHOR Integrated 1-1/8"	AUTHOR Integrated 1-1/8"	AUTHOR Integrated 1-1/8"	AUTHOR Integrated 1-1/8"	AUTHOR Integrated 1-1/8"
CHAINWHEEL	SHIMANO LX 48-36-26 teeth 170 / 175 mm cranks	SHIMANO Deore 48-36-26 teeth 170 / 175 mm cranks	SHIMANO Deore 48-36-26 teeth 170 / 175 mm cranks	SHIMANO T4060 48-36-26 teeth 170 / 175 mm cranks	SUNTOUR NCX 48-38-28 teeth 170 / 175 mm cranks	SUNTOUR NCX 48-38-28 teeth 170 / 175 mm cranks	SUNTOUR NCX 44-32-22 teeth 170 mm cranks
B.B. PARTS	SHIMANO MT-800 BB unit	SHIMANO BB-52 BB unit	SHIMANO BB-52 BB unit	SHIMANO BB-52 BB unit	SUNTOUR XCT cartridge	SUNTOUR XCT cartridge	SUNTOUR XCT cartridge
FRONT DERAILLEUR	SHIMANO LX (34.9)	SHIMANO Deore (31.8)	SHIMANO Deore (31.8)	SHIMANO Altus (31.8)	SHIMANO Altus (31.8)	SHIMANO Altus (31.8)	SHIMANO Altus (31.8)
REAR DERAILLEUR	SHIMANO XT	SHIMANO XT	SHIMANO Deore	SHIMANO Alivio	SHIMANO Acera	SHIMANO Acera	SHIMANO Acera
SHIFTERS	SHIMANO LX (30)	SHIMANO LX (30)	SHIMANO Deore (30)	SHIMANO Alivio (27)	SHIMANO Acera (27)	SHIMANO Acera (27)	SHIMANO Acera (27)
FREEWHEEL	SHIMANO HG50-10 11-36 (10)	SHIMANO HG50-10 11-36 (10)	SHIMANO HG50-10 11-36 (10)	SHIMANO HG400-9 11-34 (9)	SHIMANO HG400-9 11-34 (9)	SHIMANO HG400-9 11-34 (9)	SHIMANO HG400-9 11-34 (9)
CHAIN	SHIMANO HG54	KMC X10-1	KMC X10-1	KMC Z99	KMC Z99	KMC Z99	KMC Z99
HUBS	AUTHOR Xenon 32 holes	AUTHOR Xenon 32 holes	AUTHOR Radon 32 holes	AUTHOR Radon 32 holes	QUANDO Disc 32 holes	QUANDO 32 holes	QUANDO 32 holes
BRAKES	TEKTRO Gemini disc hydraulic (6" rotors)	TEKTRO Gemini disc hydraulic (6" rotors)	TEKTRO Gemini disc hydraulic (6" rotors)	TEKTRO Gemini disc hydraulic (6" rotors)	TEKTRO Vela disc hydraulic (6" rotors)	TEKTRO V	TEKTRO V
BRAKE LEVERS	TEKTRO Gemini	TEKTRO Gemini	TEKTRO Gemini	TEKTRO Gemini	TEKTRO Vela	SHIMANO Acera	SHIMANO Acera
RIMS	AUTHOR Radon Cross 32 holes	AUTHOR Radon Cross 32 holes	AUTHOR Radon Cross 32 holes	AUTHOR Radon Cross 32 holes	AUTHOR Radon Cross 32 holes	AUTHOR Argon Cross 32 holes	AUTHOR Argon Cross 32 holes
SPOKES	black stainless steel 2.0 mm	black stainless steel 2.0 mm	black stainless steel 2.0 mm	black stainless steel 2.0 mm	black stainless steel 2.0 mm	black stainless steel 2.0 mm	black stainless steel 2.0 mm
TIRES	AUTHOR PANARACER Silk Road Cross kevlar 700 x 42c	AUTHOR PANARACER Silk Road Cross kevlar 700 x 42c	AUTHOR PANARACER Silk Road Cross 700 x 42c	AUTHOR PANARACER Silk Road Cross 700 x 42c	AUTHOR PANARACER Silk Road Cross 700 x 42c	AUTHOR PANARACER Silk Road Cross 700 x 42c	AUTHOR PANARACER Silk Road Cross 700 x 42c
PEDALS	AUTHOR oneside clipless	AUTHOR oneside clipless	AUTHOR alloy	AUTHOR alloy	AUTHOR alloy	AUTHOR alloy	AUTHOR Non Slip alloy
HANDLEBAR	AUTHOR 15 mm 620 / 640 / 660 mm	AUTHOR 15 mm 660 mm	AUTHOR 15 mm 660 mm	AUTHOR 15 mm 660 mm	AUTHOR 25 mm 660 mm	AUTHOR 25 mm 660 mm	AUTHOR 20 mm 640 mm
GRIPS / TAPES	AUTHOR Microtech ErgoGrip	AUTHOR Microtech ErgoGrip	AUTHOR Microtech ErgoGrip	AUTHOR Microtech ErgoGrip	AUTHOR ErgoGrip Lock	AUTHOR ErgoGrip Lock	AUTHOR ErgoGrip Lock
STEM	AUTHOR alloy	AUTHOR alloy	AUTHOR alloy	AUTHOR alloy	UNO adjustable	UNO adjustable	UNO adjustable
SEAT POST	AUTHOR alloy (27.2)	AUTHOR alloy (27.2)	AUTHOR alloy (27.2)	AUTHOR alloy (27.2)	AUTHOR alloy (27.2)	AUTHOR alloy (27.2)	AUTHOR alloy (27.2)
SEAT CLAMP	AUTHOR (31.8)	AUTHOR (31.8)	AUTHOR (31.8)	AUTHOR (31.8)	AUTHOR (31.8)	AUTHOR (31.8)	AUTHOR (31.8)
SADDLE	AUTHOR Navigator	AUTHOR Sphere Gel	AUTHOR Sphere Gel	AUTHOR Sphere Gel	AUTHOR Sphere Gel	AUTHOR Sphere Gel	AUTHOR Area Gel
SPEED	30	30	30	27	27	27	27
WEIGHT	11.5 kg / 20"	12.3 kg / 20"	12.8 kg / 20"	13.2 kg / 20"	14.2 kg / 20"	13.9 kg / 20"	13.8 kg / 17"

MODEL	VERTIGO	CLASSIC	INTEGRA	HORIZON	LINEA	LUMINA	COMPACT	THEMA
SIZE	16", 18", 20", 22"	16", 18", 20", 22"	17", 19"	16", 18", 20", 22"	17", 19"	18", 20", 22"	17", 19"	17", 19"
FRAME	alloy 6061 700c	alloy 6061 700c	alloy 6061 700c (L)	alloy 6061 700c	alloy 6061 700c (L)	alloy 6061 700c	alloy 6061 700c (L)	alloy 6061 700c (L)
FRONT FORK	RST Nova ML lock out (60 mm)	RST Neon ML lock out (60 mm)	RST Neon ML lock out (60 mm)	RST Neon T (60 mm)	RST Neon T (60 mm)	RST Neon T (60 mm)	hi-ten	hi-ten
HEAD PARTS	PRESTINE Integrated 1-1/8"	PRESTINE Integrated 1-1/8"	PRESTINE Integrated 1-1/8"	PRESTINE Integrated 1-1/8"	PRESTINE Integrated 1-1/8"	VP COMP 1-1/8"	VP COMP 1-1/8"	VP COMP 1-1/8"
CHAINWHEEL	SUNTOUR NCX 48-38-28 teeth 170 / 175 mm cranks	SUNTOUR NCX 48-38-28 teeth 170 / 175 mm cranks	SUNTOUR NCX 44-32-22 teeth 170 mm cranks	PROWHEEL 48-38-28 teeth 170 / 175 mm cranks	PROWHEEL 42-34-24 teeth 170 / 175 mm cranks	PROWHEEL 48-38-28 teeth 170 mm cranks	PROWHEEL 42-34-24 teeth 170 mm cranks	PROWHEEL 42-34-24 teeth 170 mm kliky
B.B. PARTS	SUNTOUR XCT cartridge	SUNTOUR XCT cartridge	SUNTOUR XCT cartridge	VP COMP cartridge	VP COMP cartridge	VP COMP cartridge	VP COMP cartridge	VP COMP cartridge
FRONT DERAILLEUR	SHIMANO Altus (31.8)	SHIMANO Altus (31.8)	SHIMANO Altus (31.8)	SHIMANO TX800 (31.8)	SHIMANO TX800 (31.8)	SHIMANO TY500 (31.8)	SHIMANO TY500 (31.8)	SHIMANO TY500 (31.8)
REAR DERAILLEUR	SHIMANO Altus	SHIMANO Altus	SHIMANO Altus	SHIMANO Altus	SHIMANO Altus	SHIMANO TY500	SHIMANO TY500	SHIMANO TY500
SHIFTERS	SHIMANO Altus (27)	SHIMANO Altus (27)	SHIMANO Altus (27)	SHIMANO Altus (24)	SHIMANO Altus (24)	SHIMANO (21)	SHIMANO (21)	SHIMANO (21)
FREEWHEEL	SHIMANO HG200-9 11-34 (9)	SHIMANO HG200-9 11-34 (9)	SHIMANO HG200-9 11-34 (9)	SHIMANO HG200-8 12-32 (8)	SHIMANO HG200-8 12-32 (8)	SHIMANO MF-TZ21 14-28 (7)	SHIMANO MF-TZ21 14-28 (7)	SHIMANO MF-TZ21 14-28 (7)
CHAIN	KMC Z99	KMC Z99	KMC Z99	KMC Z72	KMC Z72	KMC Z51	KMC Z51	KMC Z51
HUBS	QUANDO Disc 32 holes	QUANDO 32 holes	QUANDO 32 holes	QUANDO 32 holes	QUANDO 32 holes	QUANDO 36 holes	QUANDO 36 holes	QUANDO 36 dér
BRAKES	TEKTRO disc hydraulic (6" rotors)	TEKTRO V	TEKTRO V	TEKTRO V	TEKTRO V	TEKTRO V	TEKTRO V	TEKTRO V
BRAKE LEVERS	TEKTRO	SHIMANO Altus	SHIMANO Altus	SHIMANO Altus	SHIMANO Altus	SHIMANO	SHIMANO	SHIMANO
RIMS	AUTHOR Radon Cross 32 holes	AUTHOR Argon Cross 32 holes	AUTHOR Argon Cross 32 holes	alloy 32 holes	alloy 32 holes	alloy 36 holes	alloy 36 holes	alloy 36 dér
SPOKES	black steel	black steel	black steel	black steel	black steel	steel	steel	steel
TIRES	AUTHOR Speed Master 700 x 42c	AUTHOR Speed Master 700 x 42c	AUTHOR Speed Master 700 x 42c	AUTHOR Speed Master 700 x 42c	AUTHOR Speed Master 700 x 42c	AUTHOR Speed Master 700 x 42c	AUTHOR Speed Master 700 x 42c	AUTHOR Speed Master 700 x 42c
PEDALS	AUTHOR Non Slip resin	AUTHOR Non Slip resin	AUTHOR Non Slip resin	AUTHOR Non Slip resin	AUTHOR Non Slip resin	resin	resin	plast
HANDLEBAR	steel 20 mm 660 mm	steel 20 mm 660 mm	steel 20 mm 640 mm	steel 20 mm 660 mm	steel 20 mm 640 mm	steel 20 mm 660 mm	steel 20 mm 640 mm	cromoly 20 mm 640 mm
GRIPS / TAPES	AUTHOR ErgoGrip	AUTHOR ErgoGrip	AUTHOR ErgoGrip	AUTHOR ErgoGrip	AUTHOR ErgoGrip	AUTHOR high density foam	AUTHOR high density foam	AUTHOR high density foam
STEM	ZOOM adjustable	ZOOM adjustable	ZOOM adjustable	ZOOM alloy	ZOOM alloy	ZOOM alloy	ZOOM alloy	ZOOM alloy
SEAT POST	AUTHOR alloy (27.2)	AUTHOR alloy (27.2)	AUTHOR alloy (27.2)	ZOOM alloy (27.2)	ZOOM alloy (27.2)	ZOOM alloy (27.2)	ZOOM alloy (27.2)	ZOOM alloy(27.2)
SEAT CLAMP	AUTHOR (31.8)	AUTHOR (31.8)	AUTHOR (31.8)	AUTHOR (31.8)	AUTHOR (31.8)	AUTHOR (31.8)	AUTHOR (31.8)	AUTHOR (31.8)
SADDLE	AUTHOR Courier	AUTHOR Courier	AUTHOR Noble	AUTHOR Courier	AUTHOR Noble	AUTHOR Courier	AUTHOR Noble	AUTHOR Noble
SPEED	27	27	27	24	24	21	21	21
WEIGHT	14.2 kg / 20"	13.8 kg / 20"	13.6 kg / 17"	13.4 kg / 20"	13.2 kg / 17"	13.8 kg / 20"	12.8 kg / 17"	12.8 kg / 17"



	S/T c-t	T/T h	T/T a	H/T	C/S	W/B	S/T ang.	H/T ang.	F/L	B/B drop	B/B width	F/R
SYNERGY* T 1.5" DI												
16"	410	553	533	120	440	1047	73.0	71.0	470	45	73	46
18"	461	560	537	130	440	1054	73.0	71.0	470	45	73	46
20"	512	583	559	145	440	1077	73.0	71.0	470	45	73	46
22"	563	605	580	160	440	1100	73.0	71.0	470	45	73	46
CODEX* / AIRLINE* / MISSION* / GRAND* / STRATOS*												
16"	406	560	548	130	440	1045	73.0	71.0	470	60	68	44
18"	457	580	560	150	440	1066	73.0	71.0	470	60	68	44
20"	508	600	576	170	440	1087	73.0	71.0	470	60	68	44
22"	559	620	594	180	440	1107	73.0	71.0	470	60	68	44
VERTIGO* / CLASSIC*												
16"	406	560	547	130	440	1044	73.0	71.0	473	60	68	42
18"	457	580	560	150	440	1064	73.0	71.0	473	60	68	42
20"	508	600	575	170	440	1085	73.0	71.0	473	60	68	42
22"	559	620	594	180	440	1105	73.0	71.5	473	60	68	42
HORIZON*												
16"	406	560	551	130	440	1061	74.0	70.5	473	60	68	42
18"	457	580	562	150	440	1076	73.5	70.5	473	60	68	42
20"	508	600	577	170	440	1091	73.5	71.0	473	60	68	42
22"	559	620	594	180	440	1099	73.0	71.5	473	60	68	42
COMPACT												
18"	457	580	559	120	440	1075	73.5	70.5	473	60	68	42
20"	508	600	577	140	440	1090	73.5	71.0	473	60	68	42
22"	559	620	595	160	440	1099	73.0	71.5	413	60	68	42

* t 1.5" DI - integrated head set 1.5" tapered DI

* - 1 1/8" semiintegrated head set PF 50 mm

DI - Drop In

PF - Press Fit

GEOMETRY TABLE LEGEND:

S/T c-t - seat tube (center-top)

T/T h - top tube horizontal

T/T a - top tube actual

H/T - head tube

C/S - chain stay

W/B - wheel base

S/T ang. - seat tube angle

H/T ang. - head tube angle

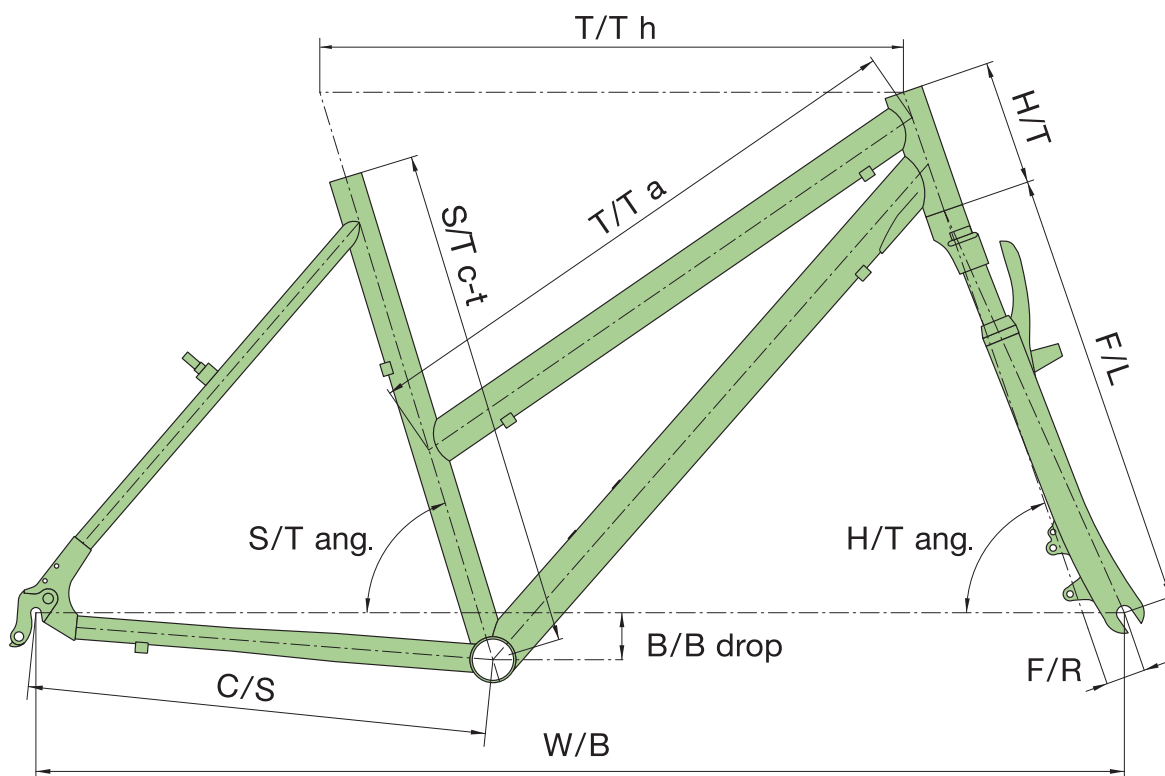
F/L - fork length

B/B drop - bottom bracket drop

B/B width - bottom bracket width

F/R - fork rake

Recommended frame size to the body height for each model you can find on our web site www.author.eu



	S/T c-t	T/T h	T/T a	H/T	C/S	W/B	S/T ang.	H/T ang.	F/L	B/B drop	B/B width	F/R
VISTA*												
17"	432	565	602	140	440	1062	73.5	70.5	470	60	68	44
19"	483	585	621	150	440	1083	73.5	70.5	470	60	68	44
INTEGRA*												
17"	432	565	593	140	440	1063	73.5	70.5	470	60	68	44
19"	483	585	612	150	440	1083	73.5	70.5	470	60	68	44
LINEA*												
17"	432	565	593	140	440	1061	73.5	70.5	473	60	68	42
19"	483	585	612	150	440	1081	73.5	70.5	473	60	68	42
LUMINA												
17"	432	565	577	140	440	1061	73.5	70.5	423	60	68	45
19"	483	585	599	155	440	1082	73.5	70.5	423	60	68	45
THEMA												
17"	432	565	577	140	440	1061	73.5	70.5	423	60	68	45
19"	483	585	599	155	440	1082	73.5	70.5	423	60	68	45

* - 1 1/8" semiintegrated head set PF 50 mm

PF - Press Fit

GEOMETRY TABLE LEGEND:

- S/T c-t - seat tube (center-top)
- T/T h - top tube horizontal
- T/T a - top tube actual
- H/T - head tube
- C/S - chain stay,
- W/B - wheel base
- S/T ang. - seat tube angle
- H/T ang. - head tube angle
- F/L - fork length
- B/B drop - bottom bracket drop
- B/B width - bottom bracket width
- F/R - fork rake

Recommended frame size to the body height for each model you can find on our web site www.author.eu

CROSS





CROSS ASL

COLLECTION 2018

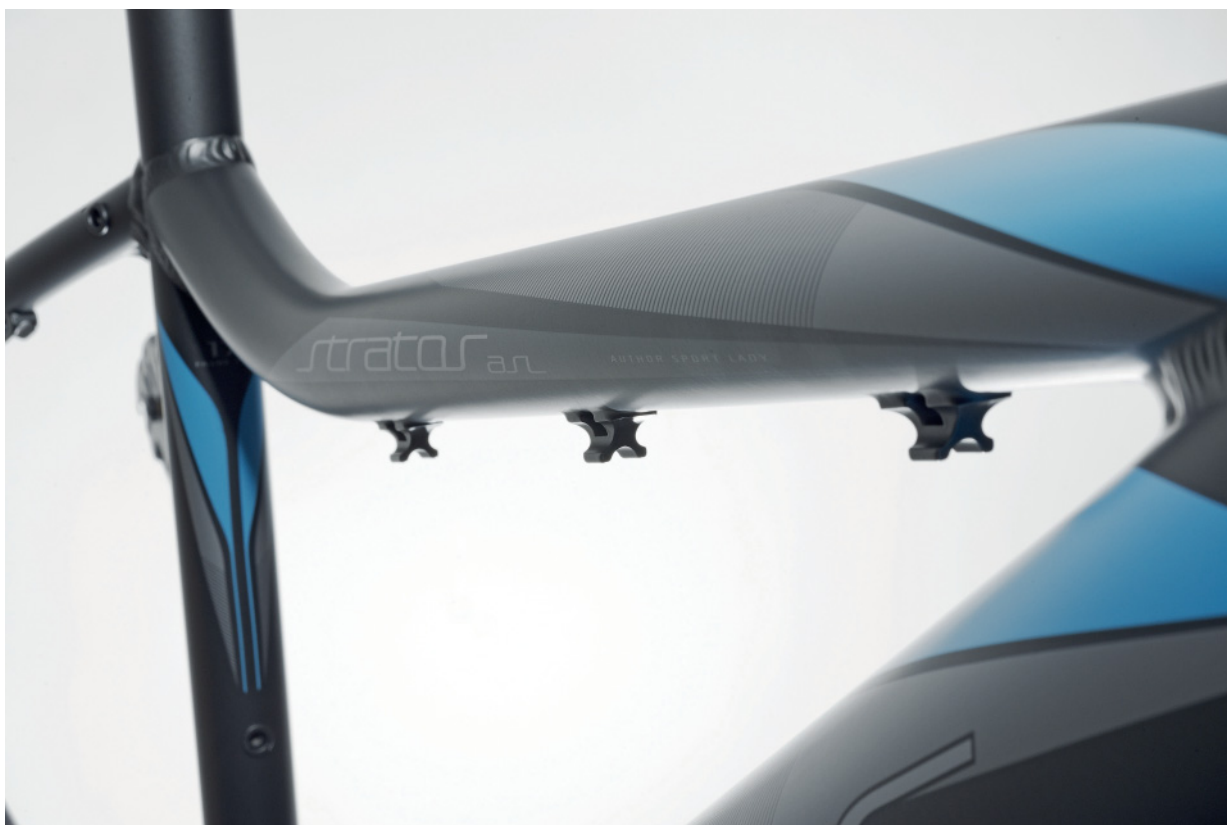
AUTHOR CROSS ASL

6 models CODEX ASL, AIRLINE ASL, GRAND ASL, STRATOS ASL, VERTIGO ASL and HORIZON ASL created for sportsmanlike girls who are not interested in a men's cross model, refusing to put up with a women's cross frame. From model year of 2016 we are offering new COMFORT CROSS GEOMETRY for new frame platforms AUTHOR alloy CROSS in the RESPECT and LOGIC level. The main features of this new cross geometry are longer top tube combined with shorter stem, longer head tube and lower BB shell. The name itself indicates this is a very comfortable and entertaining geometry for sporty oriented women.

Models CODEX ASL, AIRLINE ASL, GRAND ASL, STRATOS ASL have a frame made of alloy, and the frame's chain stay is equipped with the integrated interface for International Standard (IS) disc mount and kick stand.

For VERTIGO ASL and HORIZON ASL this geometry is applied to the frame, whose basic feature is the round shape of tubes. Threaded eye lets on the rear stay for carrier and mudguard stays are matter of course.

Above mentioned models have a convexly bended frame top tube and they will be offered recently in 3 sizes: 15, 17 and 19".



SHIMANO
3x10

| CODEX ASL |

FRAME	triple butted alloy 6061 700c	BRAKES	Tekro Gemini WS (6"), hydraulic
FORK	RST Vogue Air TRL (60 mm travel)	TIRES	Author Panaracer Silk Road Cross Kevlar 700 x 42c
CHAINWHEEL	Shimano Deore (44-32-24 teeth), BB unit	COLOR	Matte Black / Menthol Green
REAR DERAILLEUR / SHIFTERS	Shimano XT / LX, 30 speed		

SHIMANO
3x10

| AIRLINE ASL |

FRAME	triple butted alloy 6061 700c	BRAKES	Tekro Gemini WS (6"), hydraulic
FORK	RST Vita TnL (60 mm travel)	TIRES	Author Panaracer Silk Road Cross Kevlar 700 x 42c
CHAINWHEEL	Shimano Deore (44-32-24 teeth), BB unit	COLOR	Matte Black / Tropic Orange
REAR DERAILLEUR / SHIFTERS	Shimano Deore, 30 speed		



| GRAND ASL |

FRAME	alloy 6061 700c	BRAKES	Tektro Vela (6"), hydraulic
FORK	RST Nova ML (60 mm travel)	TIRES	Author Panaracer Silk Road Cross 700 x 42c
CHAINWHEEL	Suntour NCX (44-32-22 teeth)	COLOR	Matte Temple Grey / Suzy Pink
REAR DERAILLEUR / SHIFTERS	Shimano Acera, 27 speed		





| STRATOS ASL [A] |

FRAME	alloy 6061 700c	BRAKES	Tektro V
FORK	RST Nova ML (60 mm travel)	TIRES	Author Panaracer Silk Road Cross 700 x 42c
CHAINWHEEL	Suntour NCX (44-32-22 teeth)	COLOR A	White / Raspberry Red / Black
REAR DERAILLEUR / SHIFTERS	Shimano Acera, 27 speed		



| STRATOS ASL [B] |

FRAME	alloy 6061 700c	BRAKES	Tektro V
FORK	RST Nova ML (60 mm travel)	TIRES	Author Panaracer Silk Road Cross 700 x 42c
CHAINWHEEL	Suntour NCX (44-32-22 teeth)	COLOR B	Matte Black / Tropic Orange
REAR DERAILLEUR / SHIFTERS	Shimano Acera, 27 speed		



| VERTIGO ASL [A] |

FRAME	alloy 6061 700c	BRAKES	Tektro WS (6"), hydraulic
FORK	RST Nova ML (60 mm travel)	TIRES	Author Speed Master 700 x 42c
CHAINWHEEL	Suntour NCX (44-32-22 teeth)	COLOR A	Matte Temple Grey / Suzy Pink
REAR DERAILLEUR / SHIFTERS	Shimano Altus, 27 speed		



| VERTIGO ASL [B] |

FRAME	alloy 6061 700c	BRAKES	Tektro WS (6"), hydraulic
FORK	RST Nova ML (60 mm travel)	TIRES	Author Speed Master 700 x 42c
CHAINWHEEL	Suntour NCX (44-32-22 teeth)	COLOR B	White / Caribbean Green
REAR DERAILLEUR / SHIFTERS	Shimano Altus, 27 speed		



| HORIZON ASL [A] |

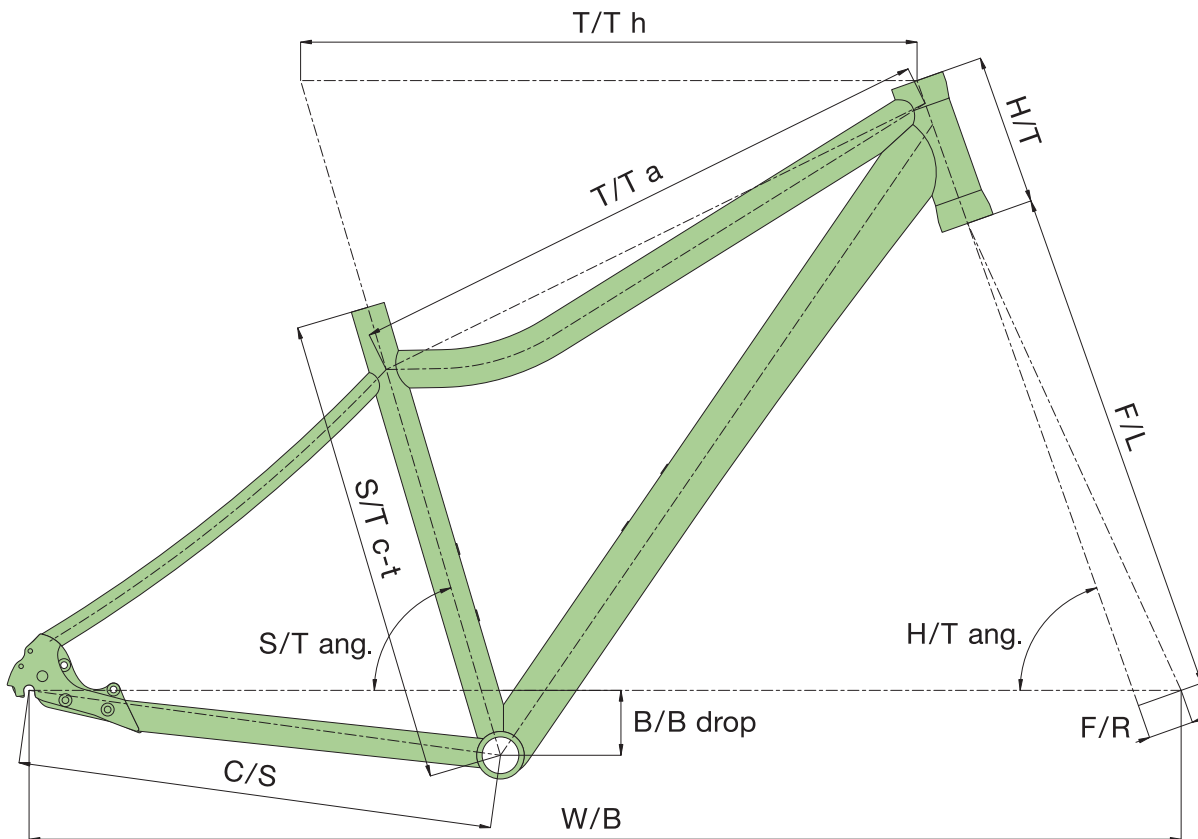
FRAME	alloy 6061 700c	BRAKES	Tektro V
FORK	RST Neon T (60 mm travel)	TIRES	Author Speed Master 700 x 42c
CHAINWHEEL	Prowheel (42-34-24 teeth)	COLOR A	White / Tropical Orange
REAR DERAILLEUR / SHIFTERS	Shimano Altus, 24 speed		



| HORIZON ASL [B] |

FRAME	alloy 6061 700c	BRAKES	Tektro V
FORK	RST Neon T (60 mm travel)	TIRES	Author Speed Master 700 x 42c
CHAINWHEEL	Prowheel (42-34-24 teeth)	COLOR B	Matte Black / Menthol Green
REAR DERAILLEUR / SHIFTERS	Shimano Altus, 24 speed		

MODEL	CODEX ASL	AIRLINE ASL	GRAND ASL	STRATOS ASL	VERTIGO ASL	HORIZON ASL
SIZE	15", 17", 19"	15", 17", 19"	15", 17", 19"	15", 17", 19"	15", 17", 19"	15", 17", 19"
FRAME	triple butted alloy 6061 700c (ASL)	triple butted alloy 6061 700c	alloy 6061 700c (ASL)	alloy 6061 700c (ASL)	alloy 6061 700c (ASL)	alloy 6061 700c (ASL)
FRONT FORK	RST Vogue Air TRL air, remote lock out (60 mm)	RST Vita TnL oil, lock out (60 mm)	RST Nova ML lock out (60 mm)	RST Nova ML lock out (60 mm)	RST Nova ML lock out (60 mm)	RST Neon T (60 mm)
HEAD PARTS	AUTHOR Integrated 1-1/8"	AUTHOR Integrated 1-1/8"	AUTHOR Integrated 1-1/8"	AUTHOR Integrated 1-1/8"	PRESTINE Integrated 1-1/8"	PRESTINE Integrated 1-1/8"
CHAINWHEEL	SHIMANO Deore 44-32-24 teeth 170 / 175 mm cranks	SHIMANO Deore 44-32-24 teeth 170 / 175 mm cranks	SUNTOUR NCX 44-32-22 teeth 170 mm cranks	SUNTOUR NCX 44-32-22 teeth 170 mm cranks	SUNTOUR NCX 44-32-22 teeth 170 / 175 mm cranks	PROWHEEL 42-34-24 teeth 170 / 175 mm cranks
B.B. PARTS	SHIMANO BB-52 BB unit	SHIMANO BB-52 BB unit	SUNTOUR XCT cartridge	SUNTOUR XCT cartridge	SUNTOUR XCT cartridge	VP COMP cartridge
FRONT DERAILLEUR	SHIMANO Deore (31.8)	SHIMANO Deore (31.8)	SHIMANO Altus (31.8)	SHIMANO Altus (31.8)	SHIMANO Altus (31.8)	SHIMANO TX800 (31.8)
REAR DERAILLEUR	SHIMANO XT	SHIMANO Deore	SHIMANO Acera	SHIMANO Acera	SHIMANO Altus	SHIMANO Altus
SHIFTERS	SHIMANO LX (30)	SHIMANO Deore (30)	SHIMANO Acera (27)	SHIMANO Acera (27)	SHIMANO Altus (27)	SHIMANO Altus (24)
FREEWHEEL	SHIMANO HG50-10 11-36 (10)	SHIMANO HG50-10 11-36 (10)	SHIMANO HG400-9 11-34 (9)	SHIMANO HG400-9 11-34 (9)	SHIMANO HG200-9 11-34 (9)	SHIMANO HG200-8 12-32 (8)
CHAIN	KMC X10-1	KMC X10-1	KMC Z99	KMC Z99	KMC Z99	KMC Z72
HUBS	AUTHOR Xenon 32 holes	AUTHOR Radon 32 holes	QUANDO Disc 32 holes	QUANDO 32 holes	QUANDO Disc 32 holes	QUANDO 32 holes
BRAKES	TEKTRO Gemini disc hydraulic (6" rotors)	TEKTRO Gemini disc hydraulic (6" rotors)	TEKTRO Vela disc hydraulic (6" rotors)	TEKTRO V	TEKTRO disc hydraulic (6" rotors)	TEKTRO V
BRAKE LEVERS	TEKTRO Gemini WS	TEKTRO Gemini WS	TEKTRO Vela	SHIMANO Acera	TEKTRO	SHIMANO Altus
RIMS	AUTHOR Radon Cross 32 holes	AUTHOR Radon Cross 32 holes	AUTHOR Radon Cross 32 holes	AUTHOR Argon Cross 32 holes	AUTHOR Radon Cross 32 holes	alloy 32 holes
SPOKES	black stainless steel 2.0 mm	black stainless steel 2.0 mm	black stainless steel 2.0 mm	black stainless steel 2.0 mm	black steel	black steel
TIRES	AUTHOR PANARACER Silk Road Cross Kevlar 700 x 42c	AUTHOR PANARACER Silk Road Cross 700 x 42c	AUTHOR PANARACER Silk Road Cross 700 x 42c	AUTHOR PANARACER Silk Road Cross 700 x 42c	AUTHOR Speed Master 700 x 42c	AUTHOR Speed Master 700 x 42c
PEDALS	AUTHOR oneside clipless	AUTHOR Non Slip alloy	AUTHOR Non Slip alloy	AUTHOR Non Slip alloy	AUTHOR Non Slip resin	AUTHOR Non Slip resin
HANDLEBAR	AUTHOR 15 mm 640 / 660 mm	AUTHOR 15 mm 640 / 660 mm	AUTHOR 20 mm 640 / 660 mm	AUTHOR 20 mm 640 / 660 mm	steel 20 mm 640 / 660 mm	steel 20 mm 640 / 660 mm
GRIPS / TAPES	AUTHOR Microtech ErgoGrip	AUTHOR Microtech ErgoGrip	AUTHOR ErgoGrip Lock	AUTHOR ErgoGrip Lock	AUTHOR ErgoGrip	AUTHOR ErgoGrip
STEM	AUTHOR alloy	AUTHOR alloy	UND adjustable	UND adjustable	ZOOM adjustable	ZOOM alloy
SEAT POST	AUTHOR alloy (27.2)	AUTHOR alloy (27.2)	AUTHOR alloy (27.2)	AUTHOR alloy (27.2)	AUTHOR alloy (27.2)	ZOOM alloy (27.2)
SEAT CLAMP	AUTHOR (31.8)	AUTHOR (31.8)	AUTHOR (31.8)	AUTHOR (31.8)	AUTHOR (31.8)	AUTHOR (31.8)
SADDLE	AUTHOR Area Gel	AUTHOR Area Gel	AUTHOR Area Gel	AUTHOR Area Gel	AUTHOR Noble	AUTHOR Noble
SPEED	30	30	27	27	27	24
WEIGHT	12.4 kg / 17"	12.6 kg / 17"	14.1 kg / 17"	13.9 kg / 17"	14.1 kg / 17"	13.2 kg / 17"



	S/T c-t	T/T h	T/T a	H/T	C/S	W/B	S/T ang.	H/T ang.	F/L	B/B drop	B/B width	F/R
CODEX ASL* / AIRLINE ASL* / GRAND ASL* / STRATOS ASL*												
15"	381	550	546	130	440	1047	73.5	70.5	470	60	68	44
17"	432	570	555	140	440	1067	73.5	70.5	470	60	68	44
19"	483	590	569	150	440	1088	73.5	70.5	470	60	68	44
VERTIGO ASL* / HORIZON ASL*												
15"	381	550	546	130	440	1047	73.5	70.5	470	60	68	44
17"	432	570	555	140	440	1068	73.5	70.5	470	60	68	44
19"	483	590	568	150	440	1088	73.5	70.5	470	60	68	44

* - 1 1/8" semiintegrated head set PF 50 mm

PF - Press Fit

GEOMETRY TABLE LEGEND:

- S/T c-t - seat tube (center-top)
- T/T h - top tube horizontal
- T/T a - top tube actual
- H/T - head tube
- C/S - chain stay
- W/B - wheel base
- S/T ang. - seat tube angle
- H/T ang. - head tube angle
- F/L - fork length
- B/B drop - bottom bracket drop
- B/B width - bottom bracket width
- F/R - fork rake

Recommended frame size to the body height for each model you can find on our web site www.author.eu



CROSS ASL



TOURING

COLLECTION 2018



| TRIUMPH |

FRAME	alloy 6061 700c	BRAKES	Tektro V
FORK	RST Verse ML (50 mm travel)	TIRES	700 x 40c
CHAINWHEEL	Prowheel (48-38-28 teeth)	COLOR	Temple Grey / Andaman Sea
REAR DERAILLEUR / SHIFTERS	Shimano Acera / Altus 24 speed		



| DYNASTY |

FRAME	alloy 6061 700c	BRAKES	Tektro V
FORK	RST Verse ML (50 mm travel)	TIRES	700 x 40c
CHAINWHEEL	Prowheel (42-34-24 teeth)	COLOR	Temple Grey / Racing Red
REAR DERAILLEUR / SHIFTERS	Shimano Acera / Altus 24 speed		



| SEANCE |

FRAME	alloy 6061 700c	BRAKES	Tektro V
FORK	RST Sofi T (50 mm travel)	TIRES	700 x 40c
CHAINWHEEL	Prowheel (33 teeth)	COLOR	Black / Italian Sky
REAR DERAILLEUR / SHIFTERS	Shimano TX800 / Revoshift, 8 speed		



| MAJESTY |

FRAME	alloy 6061 700c	BRAKES	Tektro V
FORK	hi-ten	TIRES	700 x 40c
CHAINWHEEL	Prowheel (33 teeth)	COLOR	White / Racing Red / Black
REAR DERAILLEUR / SHIFTERS	Shimano TX800 / Revoshift, 8 speed		



| RAPID |

FRAME	alloy 6061 26"	BRAKES	Tektro V
FORK	RST Capa T (80 mm travel)	TIRES	Classic Venice 26" x 2.00"
CHAINWHEEL	Prowheel (42-34-24 teeth)	COLOR	Black / Andaman Sea
REAR DERAILLEUR / SHIFTERS	Shimano Altus, 24 speed		



| VICTORIA |

FRAME	alloy 6061 26"	BRAKES	Tektro V
FORK	RST Capa T (80 mm travel)	TIRES	Classic Venice 26" x 2.00"
CHAINWHEEL	Prowheel (42-34-24 teeth)	COLOR	Temple Grey / Menthol Green
REAR DERAILLEUR / SHIFTERS	Shimano Altus, 24 speed		



| OPUS |

FRAME	alloy 6061 26"	BRAKES	Tektro V
FORK	RST Capa T (80 mm travel)	TIRES	Classic Venice 26" x 2.00"
CHAINWHEEL	Prowheel (42-34-24 teeth)	COLOR	Matte Temple Grey / Racing Red
REAR DERAILLEUR / SHIFTERS	Shimano TY300 / Shimano, 21 speed		



| BRAVA |

FRAME	alloy 6061 26"	BRAKES	Tektro V
FORK	RST Capa T (80 mm travel)	TIRES	Classic Venice 26" x 2.00"
CHAINWHEEL	Prowheel (42-34-24 teeth)	COLOR	Matte Ritual Silver / Suzy Pink
REAR DERAILLEUR / SHIFTERS	Shimano TY300 / Shimano, 21 speed		



| SIMPLEX [A] |

FRAME	alloy 7005 folding	BRAKES	Tektro V
FORK	hi-ten	TIRES	Kenda 20" x 1.50"
CHAINWHEEL	alloy [52 teeth]	COLOR A	White / Andaman Sea
REAR DERAILLEUR / SHIFTERS	Shimano Altus / Revoshift, 8 speed		

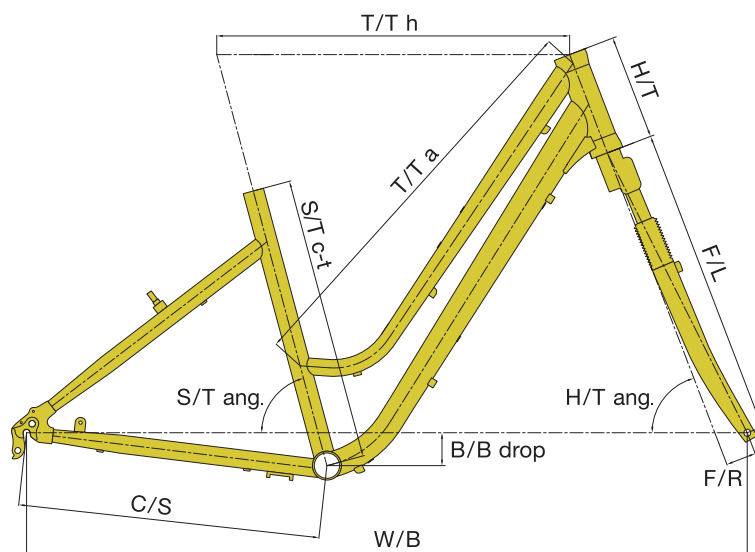
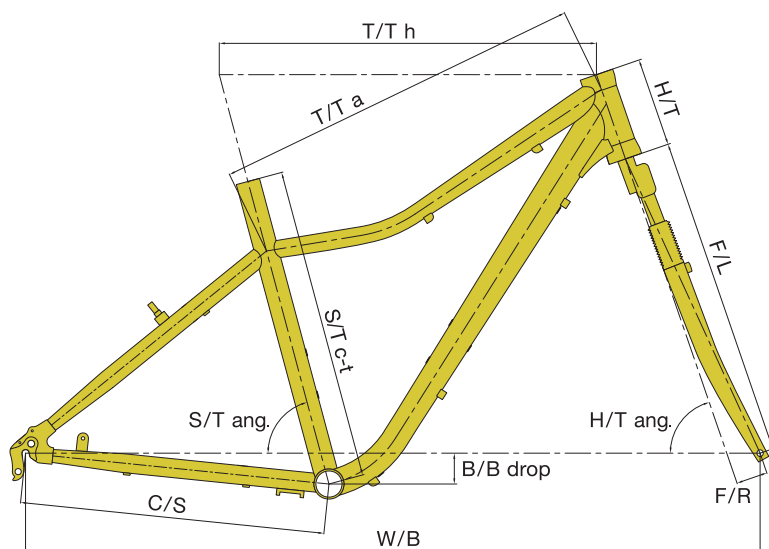


| SIMPLEX [B] |

FRAME	alloy 7005 folding	BRAKES	Tektro V
FORK	hi-ten	TIRES	Kenda 20" x 1.50"
CHAINWHEEL	alloy [52 teeth]	COLOR B	Black / Racing Red
REAR DERAILLEUR / SHIFTERS	Shimano Altus / Revoshift, 8 speed		

MODEL	TRIUMPH	DYNASTY	SEANCE	MAJESTY
SIZE	18", 20", 22"	17", 19"	17", 19"	17", 19"
FRAME	alloy 6061 700c	alloy 6061 700c (L)	alloy 6061 700c (L)	alloy 6061 700c (L)
FRONT FORK	RST Verse ML lock out (50 mm)	RST Verse ML lock out (50 mm)	RST Sofi T (50 mm)	hi-ten
HEAD PARTS	PRESTINE Integrated 1"	PRESTINE Integrated 1"	PRESTINE Integrated 1"	PRESTINE Integrated 1"
CHAINWHEEL	PROWHEEL 48-38-28 teeth 170 / 175 mm cranks	PROWHEEL 42-34-24 teeth 170 mm cranks	PROWHEEL 33 teeth 170 mm cranks	PROWHEEL 33 teeth 170 mm cranks
B.B. PARTS	VP comp cartridge	VP comp cartridge	VP comp cartridge	VP COMP cartridge
FRONT DERAILLEUR	SHIMANO TX800 (31.8)	SHIMANO TX800 (31.8)	-	-
REAR DERAILLEUR	SHIMANO Acera	SHIMANO Acera	SHIMANO TX800	SHIMANO TX800
SHIFTERS	SHIMANO Altus (24)	SHIMANO Altus (24)	SHIMANO Revoshift (8)	SHIMANO Revoshift (8)
FREEWHEEL	SHIMANO HG200-8 12-32 (8)	SHIMANO HG200-8 12-32 (8)	SHIMANO HG-31 11-34 (8)	SHIMANO HG-31 11-34 (8)
CHAIN	KMC Z72	KMC Z72	KMC Z72	KMC Z72
HUBS	SHIMANO Dynamo 32 holes QUANDO 32 holes	SHIMANO Dynamo 32 holes QUANDO 32 holes	QUANDO 32 holes	QUANDO 32 holes
BRAKES	TEKTRO V	TEKTRO V	TEKTRO V	TEKTRO V
BRAKE LEVERS	SHIMANO Altus	SHIMANO Altus	TEKTRO plastic / alloy	TEKTRO plastic / alloy
RIMS	AUTHOR Argon Cross 32 holes	AUTHOR Argon Cross 32 holes	alloy 32 holes	alloy 32 holes
SPOKES	black stainless steel 2.0 mm	black stainless steel 2.0 mm	stainless steel	stainless steel
TIRES	CST reflexive stripes 700 x 40c	CST reflexive stripes 700 x 40c	CST reflexive stripes 700 x 40c	CST reflexive stripes 700 x 40c
PEDALS	AUTHOR Non Slip resin	AUTHOR Non Slip resin	AUTHOR Non Slip resin	resin
HANDLEBAR	KALLOY alloy 45 mm 620 mm	KALLOY alloy 45 mm 620 mm	KALLOY alloy 45 mm 620 mm	KALLOY alloy 45 mm 620 mm
GRIPS / TAPES	AUTHOR ErgoGrip	AUTHOR ErgoGrip	AUTHOR ErgoGrip	AUTHOR high density foam
STEM	UNO adjustable	UNO adjustable	UNO adjustable	UNO adjustable
SEAT POST	UNO suspension (31.6)	UNO suspension (27.2)	UNO suspension (27.2)	ZOOM alloy (27.2)
SEAT CLAMP	AUTHOR (34.9)	AUTHOR (31.8)	AUTHOR (31.8)	AUTHOR (31.8)
SADDLE	AUTHOR King Sofa	AUTHOR Queen Sofa	AUTHOR Queen Sofa	AUTHOR Queen Sofa
SPEED	24	24	8	8
WEIGHT	16.7 kg / 20"	16.7 kg / 17"	15.7 kg / 17"	14.6 kg / 17"

MODEL	RAPIO	VICTORIA	OPUS	BRAVA	SIMPLEX
SIZE	15", 17", 19", 21"	16", 18"	15", 17", 19", 21"	16", 18"	M
FRAME	alloy 6061 26"	alloy 6061 26" (L)	alloy 6061 26"	alloy 6061 26" (L)	alloy 7005 folding
FRONT FORK	RST Capa T (80 mm)	RST Capa T (80 mm)	RST Capa T (80 mm)	RST Capa T (80 mm)	hi-ten
HEAD PARTS	PRESTINE Integrated 1-1/8"	PRESTINE Integrated 1-1/8"	PRESTINE Integrated 1-1/8"	PRESTINE Integrated 1-1/8"	NECO Integrated 1"
CHAINWHEEL	PROWHEEL 42-34-24 teeth 170 / 175 mm cranks	PROWHEEL 42-34-24 teeth 170 mm cranks	PROWHEEL 42-34-24 teeth 170 mm cranks	PROWHEEL 42-34-24 teeth 170 mm cranks	alloy 52 teeth 170 mm cranks
B.B. PARTS	VP COMP cartridge	VP COMP cartridge	VP COMP cartridge	VP COMP cartridge	NECO cartridge
FRONT DERAILLEUR	SHIMANO TY700 (31.8)	SHIMANO TY700 (31.8)	SHIMANO TY500 (31.8)	SHIMANO TY500 (31.8)	-
REAR DERAILLEUR	SHIMANO Altus	SHIMANO TY700	SHIMANO TY300	SHIMANO TY300	SHIMANO Altus
SHIFTERS	SHIMANO Altus (24)	SHIMANO Altus (24)	SHIMANO (21)	SHIMANO (21)	SHIMANO Revoshift (8)
FREEWHEEL	SHIMANO HG200-8 12-32 (8)	SHIMANO HG200-8 12-32 (8)	SHIMANO MF-TZ21 14-28 (7)	SHIMANO MF-TZ21 14-28 (7)	SHIMANO HG-200-8 12-32 (8)
CHAIN	KMC Z72	KMC Z72	KMC Z51	KMC Z51	TAYA TB-65
HUBS	QUANDO 32 holes	QUANDO 32 holes	QUANDO 32 holes	QUANDO 32 holes	QUANDO 28 holes
BRAKES	TEKTRO V	TEKTRO V	TEKTRO V	TEKTRO V	TEKTRO V
BRAKE LEVERS	SHIMANO Altus	SHIMANO Altus	SHIMANO	SHIMANO	TEKTRO plastic / alloy
RIMS	AUTHOR Argon 32 holes	AUTHOR Argon 32 holes	alloy 32 holes	alloy 32 holes	alloy 28 holes
SPOKES	steel	steel	steel	steel	black steel 2.0 mm
TIRES	CST Classic Venice 26" x 2.00"	CST Classic Venice 26" x 2.00"	CST Classic Venice 26" x 2.00"	CST Classic Venice 26" x 2.00"	KENDA K-193 20" x 1.50"
PEDALS	resin	resin	resin	resin	resin folding
HANDLEBAR	steel 42 mm 620 / 640 mm	steel 42 mm 620 mm	steel 42 mm 620 / 640 mm	steel 42 mm 620 mm	alloy
GRIPS / TAPES	AUTHOR high density foam	AUTHOR high density foam	AUTHOR high density foam	AUTHOR high density foam	AUTHOR ErgoGrip
STEM	ZOOM adjustable	ZOOM adjustable	ZOOM adjustable	ZOOM adjustable	alloy telescopic
SEAT POST	ZOOM suspension (27.2)	ZOOM suspension (27.2)	ZOOM suspension (27.2)	ZOOM suspension (27.2)	alloy (33.9)
SEAT CLAMP	AUTHOR (31.8)	AUTHOR (31.8)	AUTHOR (31.8)	AUTHOR (31.8)	alloy (40.7)
SADDLE	AUTHOR King Sofa	AUTHOR Queen Sofa	AUTHOR King Sofa	AUTHOR Queen Sofa	AUTHOR Courier
SPEED	24	24	21	21	8
WEIGHT	15.6 kg / 19"	15.5 kg / 16"	15.3 kg / 19"	15.3 kg / 16"	12.6 kg / M



	S/T c-t	T/T h	T/T a	H/T	C/S	W/B	S/T ang.	H/T ang.	F/L	B/B drop	B/B width	F/R
TRIUMPH*												
18"	457	550	535	130	445	1069	75.0	71.0	460	45	68	44
20"	508	555	538	130	445	1074	75.0	71.0	460	45	68	44
22"	558	559	544	150	445	1079	75.0	71.0	460	45	68	44
DYNASTY*												
17"	432	536	526	160	459	1091	75.0	69.0	460	50	68	44
19"	483	568	559	160	459	1125	75.0	69.0	460	50	68	44
SEANCE*												
17"	432	522	513	155	459	1077	75.0	69.0	460	50	68	44
19"	483	567	556	155	459	1122	75.0	69.0	460	50	68	44
MAJESTY*												
17"	432	528	518	155	459	1079	75.0	69.0	415	50	68	45
19"	483	573	562	155	459	1124	75.0	69.0	415	50	68	45
RAPID / OPUS												
17"	432	550	541	150	430	1049	75	71	460	45	68	38
19"	483	560	545	160	430	1060	75	71	460	45	68	38
21"	533	570	552	170	430	1070	75	71	460	45	68	38
VICTORIA / BRAVA												
16"	406	545	533	145	430	1053	75	70	460	50	68	38
18"	457	560	548	155	430	1074	75	70	460	50	68	38

* - 1 1/8" semi-integrated head set PF 50 mm

PF - Press Fit

GEOMETRY TABLE LEGEND:

- S/T c-t - seat tube (center-top)
- T/T h - top tube horizontal
- T/T a - top tube actual
- H/T - head tube
- C/S - chain stay
- W/B - wheel base
- S/T ang. - seat tube angle
- H/T ang. - head tube angle
- F/L - fork length
- B/B drop - bottom bracket drop
- B/B width - bottom bracket width
- F/R - fork rake

Recommended frame size to the body height for each model you can find on our web site www.author.eu



JUNIOR



COLLECTION 2018

AUTHOR KIDS BIKES

Bike models ULTRASONIC 26 and SONIC 26 are build on 26" wheel set with low 13.5" frame and so young sporty riders may enjoy "big" wheels asap. With a new and sporty but in the same time playful geometry are those models just perfect instrument for their racing season but in the same time just perfect bikes for "family" riding style. MIRAGE remains on 24" wheels but the frame has been lowered also down, in this case to 12". After 4 years we are coming back to model Ultrasonic 24, also with 12" frame, rigid alloy fork but newly with drive train 1x9 [cassette 11-34t].

All those 4 bikes were created with the accent to very low weight, easy maneuvering and they are given for young and sporty riders. The applied material is again triple butted alloy 6061 for above mentioned models.

Models A-MATRIX 26, A-MATRIX, A-MATRIX ASL and MATRIX kept having lowered frames (A-MATRIX 26 13.5" and other frames 12.5" size), with again sporty but playful geometry. The same 12.5" frame size also got model ULTIMA.

New small bike Record is 20" kid's bike with 10" frame with the lowered top tube for easy bike handling and also rider's safety. It is equipped by rigid alloy fork, A-head set's stem and drive train 1x7 [cassette 12-32t]. Again, the idea of this bike is very low weight.

Broadening of the offer of KING KONG kids bikes on wider tires is already from model year 2017 model King Kong 16. Really enjoyable geometry, low frame and weight, disc brakes and wide tires offer for the kids totally new way of riding, alias "Fun rules all"!





SRAM
1x11

| ULTRASONIC 26 |

FRAME	triple butted hydroformed alloy 6061 13.5"	BRAKES	Promax (6"), hydraulic
FORK	alloy 6061 26"	TIRES	Vittoria Barzo Kevlar 26" x 2.10"
CHAINWHEEL	SRAM (32 teeth), BB unit	COLOR	McLaren Silver / Racing Red
REAR DERAILLEUR / SHIFTERS	SRAM NX-1, 11 speed		



| SONIC 26 |

FRAME	triple butted hydroformed alloy 6061 13.5"	BRAKES	Tektro V
FORK	RST Gila T 26 (80 mm travel)	TIRES	Vittoria Barzo Kevlar 26" x 2.10"
CHAINWHEEL	Suntour XCT-JR (42-32-22 teeth)	COLOR	Matte Temple Grey / Neon Yellow
REAR DERAILLEUR / SHIFTERS	Shimano Acera, 24 speed		



| A-MATRIX 26 [A] |

FRAME	alloy 6061 13.5"	TEKTRO V	Tektro V
FORK	RST Capa T 26 (80 mm travel)	TIRES	Author Speed Master 26" x 2.00"
CHAINWHEEL	Prowheel (42-34-24 teeth)	COLOR A	Matte Black / Neon Orange
REAR DERAILLEUR / SHIFTERS	Shimano TY21 / Revoshift, 18 speed		



| A-MATRIX 26 [B] |

FRAME	alloy 6061 13.5"	TEKTRO V	Tektro V
FORK	RST Capa T 26 (80 mm travel)	TIRES	Author Speed Master 26" x 2.00"
CHAINWHEEL	Prowheel (42-34-24 teeth)	COLOR B	Matte Treasure Silver / Andaman Sea
REAR DERAILLEUR / SHIFTERS	Shimano TY21 / Revoshift, 18 speed		



| A-MATRIX 26 [C] |

FRAME	alloy 6061 13.5"	TEKTRO V	Tektro V
FORK	RST Capa T 26 (80 mm travel)	TIRES	Author Speed Master 26" x 2.00"
CHAINWHEEL	Prowheel (42-34-24 teeth)	COLOR C	Matte Ritual Silver / Suzy Pink
REAR DERAILLEUR / SHIFTERS	Shimano TY21 / Revoshift, 18 speed		



| ULTRASONIC 24 |

FRAME	triple butted hydroformed alloy 6061 12"	BRAKES	Tektro V
FORK	alloy 24"	TIRES	Kenda Small Block Eight Kevlar 24" x 1.95"
CHAINWHEEL	Samox (32 teeth)	COLOR	McLaren Silver / Andaman Sea
REAR DERAILLEUR / SHIFTERS	Shimano Alivio, 9 speed		



| MIRAGE 24 [A] |

FRAME	triple butted hydroformed alloy 6061 12"	BRAKES	Tektro (5"), hydraulic
FORK	RST Capa T 24 (50 mm travel)	TIRES	Kenda Small Block Eight Kevlar 24" x 1.95"
CHAINWHEEL	Suntour XCT-JR (42-32-22 teeth)	COLOR A	Matte Treasure Silver / Racing Red / Black
REAR DERAILLEUR / SHIFTERS	Shimano Acera / Altus, 24 speed		



| MIRAGE 24 [B] |

FRAME	triple butted hydroformed alloy 6061 12"	BRAKES	Tektro (5"), hydraulic
FORK	RST Capa T 24 (50 mm travel)	TIRES	Kenda Small Block Eight Kevlar 24" x 1.95"
CHAINWHEEL	Suntour XCT-JR (42-32-22 teeth)	COLOR B	Matte Blacká / Neon Orange
REAR DERAILLEUR / SHIFTERS	Shimano Acera / Altus, 24 speed		



| A-MATRIX 24 [A] |

FRAME	alloy 6061 12.5"	BRAKES	Tektro V
FORK	RST Capa T 24 (50 mm travel)	TIRES	24" x 1.75"
CHAINWHEEL	Prowheel (42-34-24 teeth)	COLOR A	Matte Treasure Silver / Racing Red
REAR DERAILLEUR / SHIFTERS	Shimano TY21 / Revoshift, 18 speed		



| A-MATRIX 24 [B] |

FRAME	alloy 6061 12.5"	BRAKES	Tektro V
FORK	RST Capa T 24 (50 mm travel)	TIRES	24" x 1.75"
CHAINWHEEL	Prowheel (42-34-24 teeth)	COLOR B	Black / Neon Green
REAR DERAILLEUR / SHIFTERS	Shimano TY21 / Revoshift, 18 speed		



| A-MATRIX ASL 24 [A] |

FRAME	alloy 6061 12.5" (ASL)	BRAKES	Tektro V
FORK	RST Capa T 24 (50 mm travel)	TIRES	24" x 1.75"
CHAINWHEEL	Prowheel (42-34-24 teeth)	COLOR A	White / Caribbean Green
REAR DERAILLEUR / SHIFTERS	Shimano TY21 / Revoshift, 18 speed		



| A-MATRIX ASL 24 [B] |

FRAME	alloy 6061 12.5" (ASL)	BRAKES	Tektro V
FORK	RST Capa T 24 (50 mm travel)	TIRES	24" x 1.75"
CHAINWHEEL	Prowheel (42-34-24 teeth)	COLOR B	Matte Temple Grey / Lime
REAR DERAILLEUR / SHIFTERS	Shimano TY21 / Revoshift, 18 speed		



| MATRIX 24 [A] |

FRAME	hi-ten 12.5"	BRAKES	Tektro V
FORK	Zoom (40 mm travel)	TIRES	24" x 1.75"
CHAINWHEEL	Prowheel (42-34-24 teeth)	COLOR A	Kongo Green / Andaman Blue / Black
REAR DERAILLEUR / SHIFTERS	Shimano TY21 / Revoshift, 18 speed		



| MATRIX 24 [B] |

FRAME	hi-ten 12.5"	BRAKES	Tektro V
FORK	Zoom (40 mm travel)	TIRES	24" x 1.75"
CHAINWHEEL	Prowheel (42-34-24 teeth)	COLOR B	Matte Black / Neon Yellow
REAR DERAILLEUR / SHIFTERS	Shimano TY21 / Revoshift, 18 speed		



| ULTIMA 24 [A] |

FRAME	alloy 6061 12.5"	BRAKES	Tektro V
FORK	hi-ten 24"	TIRES	24" x 1.50"
CHAINWHEEL	Prowheel (32 teeth)	COLOR A	Matte Temple Grey / Tropic Orange
REAR DERAILLEUR / SHIFTERS	Shimano TX800 / Revoshift, 8 speed		



| ULTIMA 24 [B] |

FRAME	alloy 6061 12.5"	BRAKES	Tektro V
FORK	hi-ten 24"	TIRES	24" x 1.50"
CHAINWHEEL	Prowheel (32 teeth)	COLOR B	Suzy Pink / Italian Blue
REAR DERAILLEUR / SHIFTERS	Shimano TX800 / Revoshift, 8 speed		



| RECORD 20 |

FRAME	alloy 6061 10"
FORK	alloy 20"
CHAINWHEEL	Prowheel (36 teeth)
REAR DERAILLEUR / SHIFTERS	Shimano TY300 / Revoshift, 7 speed

BRAKES	Tektro V
TIRES	Kenda Small Block Eight Kevlar 20" x 1.75"
COLOR	Author Red



| SMART 20 |

FRAME	alloy 6061 10"
FORK	RST Capa T 20 (30 mm travel)
CHAINWHEEL	Prowheel (36 teeth)
REAR DERAILLEUR / SHIFTERS	Shimano TY21 / Revoshift, 6 speed

BRAKES	Tektro V
TIRES	20" x 1.75"
COLOR	Black / Neon Orange



| COSMIC 20 [A] |

FRAME	alloy 6061 10"	BRAKES	Tektro V
FORK	hi-ten 20"	TIRES	20" x 1.75"
CHAINWHEEL	Prowheel (36 teeth)	COLOR A	Matte Black / Neon Green
REAR DERAILLEUR / SHIFTERS	Shimano TY21 / Revoshift, 6 speed		



| COSMIC 20 [B] |

FRAME	alloy 6061 10"	BRAKES	Tektro V
FORK	hi-ten 20"	TIRES	20" x 1.75"
CHAINWHEEL	Prowheel (36 teeth)	COLOR B	Kongo Green / Andaman Blue / Black
REAR DERAILLEUR / SHIFTERS	Shimano TY21 / Revoshift, 6 speed		



| COSMIC 20 [C] |

FRAME	alloy 6061 10"	BRAKES	Tektro V
FORK	hi-ten 20"	TIRES	20" x 1.75"
CHAINWHEEL	Prowheel (36 teeth)	COLOR C	Author Red
REAR DERAILLEUR / SHIFTERS	Shimano TY21 / Revoshift, 6 speed		



| COSMIC 20 [D] |

FRAME	alloy 6061 10"	BRAKES	Tektro V
FORK	hi-ten 20"	TIRES	20" x 1.75"
CHAINWHEEL	Prowheel (36 teeth)	COLOR D	Ritual Silver / Suzy Pink
REAR DERAILLEUR / SHIFTERS	Shimano TY21 / Revoshift, 6 speed		



| ENERGY 20 [A] |

FRAME	hi-ten 10"	BRAKES	Tektro V
FORK	hi-ten 20"	TIRES	20" x 1.75"
CHAINWHEEL	Prowheel (36 teeth)	COLOR A	Nascar Blue / Neon Orange
REAR DERAILLEUR / SHIFTERS	Shimano TY21 / Revoshift, 6 speed		



| ENERGY 20 [B] |

FRAME	hi-ten 10"	BRAKES	Tektro V
FORK	hi-ten 20"	TIRES	20" x 1.75"
CHAINWHEEL	Prowheel (36 teeth)	COLOR B	Matte Temple Grey / Neon Yellow
REAR DERAILLEUR / SHIFTERS	Shimano TY21 / Revoshift, 6 speed		



| MELODY 20 |

FRAME	alloy 6061 10"	BRAKES	Tektro V
FORK	hi-ten 20"	TIRES	20" x 1.50"
CHAINWHEEL	Prowheel (36 teeth)	COLOR	Jeweled White / Fresh Lila
REAR DERAILLEUR / SHIFTERS	Shimano TY21 / Revoshift, 6 speed		



| KING KONG 16 |

FRAME	alloy 6061 9"	BRAKES	Tektro V / coasterhub
FORK	alloy 16"	TIRES	16" x 2.25"
CHAINWHEEL	Prowheel (32 teeth)	COLOR	Matte Black / Neon Orange



| STYLO 16 [A] |

FRAME	alloy 6061 9"	BRAKES	Tektro V / coasterhub
FORK	hi-ten 16"	TIRES	16" x 1.75"
CHAINWHEEL	Prowheel (32 teeth)	COLOR A	Matte Temple Grey / Neon Orange



| STYLO 16 [B] |

FRAME	alloy 6061 9"	BRAKES	Tektro V / coasterhub
FORK	hi-ten 16"	TIRES	16" x 1.75"
CHAINWHEEL	Prowheel (32 teeth)	COLOR B	Kongo Green / Navy Blue



| BELLO 16 [A] |

FRAME	alloy 6061 9"	BRAKES	Tektro V / coasterhub
FORK	hi-ten 16"	TIRES	16" x 1.50"
CHAINWHEEL	Prowheel (32 teeth)	COLOR A	Jeweled White / Fresh Lila



| BELLO 16 [B] |

FRAME	alloy 6061 9"	BRAKES	Tektro V / coasterhub
FORK	hi-ten 16"	TIRES	16" x 1.50"
CHAINWHEEL	Prowheel (32 teeth)	COLOR B	Temple Grey / Menthol Green



| ORBIT 16 [A] |

FRAME	hi-ten 9"	BRAKES	Tektro V / coasterhub
FORK	hi-ten 16"	TIRES	16" x 1.75"
CHAINWHEEL	Prowheel (32 teeth)	COLOR A	White / Navy Blue



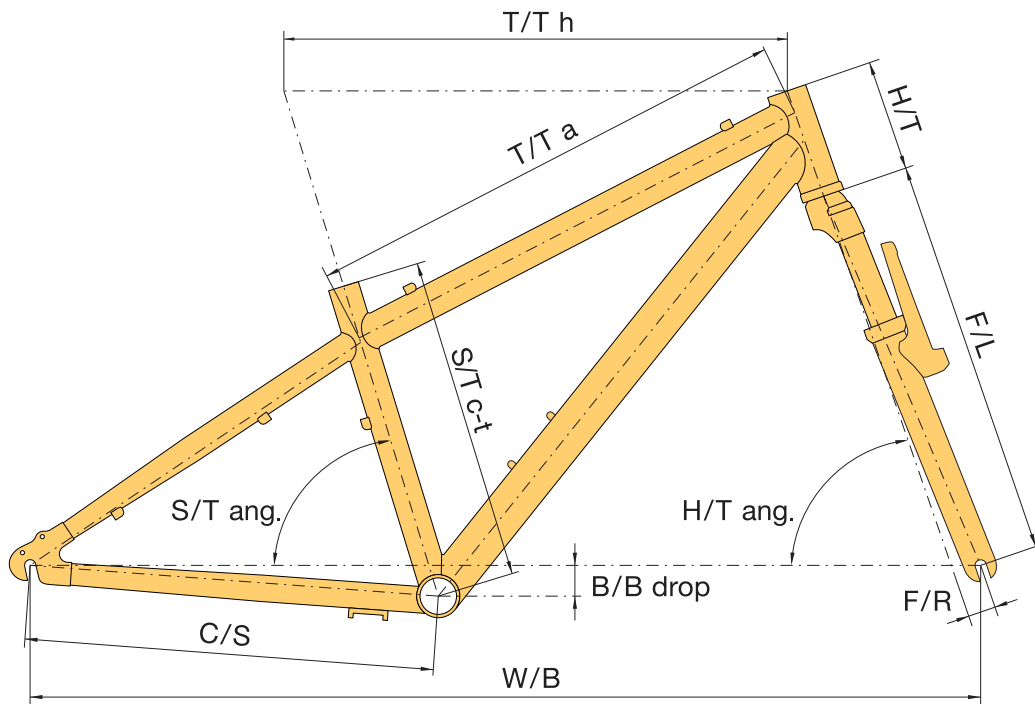
| ORBIT 16 [B] |

FRAME	hi-ten 9"	BRAKES	Tektro V / coasterhub
FORK	hi-ten 16"	TIRES	16" x 1.75"
CHAINWHEEL	Prowheel (32 teeth)	COLOR B	Matte Temple Grey / Neon Orange

MODEL	ULTRASONIC 26	SONIC 26	A-MATRIX 26	ULTRASONIC 24	MIRAGE 24	A-MATRIX 24
SIZE	13.5"	13.5"	13.5"	12"	12"	12.5"
FRAME	triple butted hydroformed alloy 6061 26"	triple butted hydroformed alloy 6061 26"	alloy 6061 26"	triple butted hydroformed alloy 6061 24"	triple butted hydroformed alloy 6061 24"	alloy 6061 24"
FRONT FORK	alloy 6061 26"	RST Gila T 26 (80 mm)	RST Capa T 26 (80 mm)	alloy 6061 24"	RST Capa T 24 (50 mm)	RST Capa T 24 (50 mm)
HEAD PARTS	AUTHOR Integrated 1.5" tapered	AUTHOR Integrated 1.5" tapered	PRESTINE 1-1/8"	AUTHOR Integrated 1.5" tapered	AUTHOR Integrated 1.5" tapered	PRESTINE 1-1/8"
CHAINWHEEL	SRAM 32 teeth 155 mm cranks	SUNTOUR XCT-JR 42-32-22 teeth 152 mm cranks	PROWHEEL 42-34-24 teeth 165 mm cranks	SAMOX 32 teeth 152 mm cranks	SUNTOUR XCT-JR 42-32-22 teeth 152 mm cranks	PROWHEEL 42-34-24 teeth 152 mm cranks
B.B. PARTS	SRAM BB unit	SUNTOUR XCT cartridge	VP COMP	VP COMP cartridge	SUNTOUR XCT cartridge	VP COMP
FRONT DERAILLEUR	-	SHIMANO TY700 (34.9)	SHIMANO TY500 (31.8)	-	SHIMANO TY700 (34.9)	SHIMANO TY500 (31.8)
REAR DERAILLEUR	SRAM NX-1	SHIMANO Acera	SHIMANO TY21	SHIMANO Alivio	SHIMANO Acera	SHIMANO TY21
SHIFTERS	SRAM NX-1 (11)	SHIMANO Acera (24)	SHIMANO Revoshift (18)	SHIMANO Alivio (9)	SHIMANO Altus (24)	SHIMANO Revoshift (18)
FREEWHEEL	SRAM PG1130 11-42 (11)	SHIMANO HG200-8 12-32 (8)	SHIMANO MF-TZ20 14-28 (6)	SHIMANO HG400-9 11-34 (9)	SHIMANO HG200-8 12-32 (8)	SHIMANO MF-TZ20 14-28 (6)
CHAIN	SRAM CN-1100	KMC Z72	KMC Z33	KMC Z99	KMC Z72	KMC Z33
HUBS	AUTHOR Xenon 32 holes	QUANDO 32 holes	QUANDO 32 holes	QUANDO 24 holes	QUANDO Disc 32 holes	QUANDO 32 holes
BRAKES	PROMAX disc hydraulic (6" rotors)	TEKTRO V	TEKTRO V	TEKTRO V	TEKTRO disc hydraulic (5" rotors)	TEKTRO V
BRAKE LEVERS	PROMAX	TEKTRO alloy	TEKTRO plastic / alloy	TEKTRO alloy	TEKTRO alloy	TEKTRO plastic / alloy
RIMS	AUTHOR Argon 26 32 holes	AUTHOR Argon 26 32 holes	alloy 32 holes	alloy 24 holes	alloy 32 holes	alloy 32 holes
SPOKES	black stainless steel 2.0 mm	black stainless steel 2.0 mm	black steel	black steel	black steel	black steel
TIRES	VITTORIA Barzo kevlar 26" x 2.10"	VITTORIA Barzo kevlar 26" x 2.10"	AUTHOR Speed Master 26" x 2.00"	KENDA Small Block Eight kevlar 24" x 1.95"	KENDA Small Block Eight kevlar 24" x 1.95"	24" x 1.75"
PEDALS	alloy	resin	resin	alloy	resin	resin
HANDLEBAR	AUTHOR 0 mm 600 mm	AUTHOR 0 mm 600 mm	steel 20 mm 620 mm	AUTHOR 0 mm 600 mm	ZOOM alloy 20 mm 580 mm	steel 20 mm 580 mm
GRIPS	AUTHOR high density foam	AUTHOR high density foam	AUTHOR kratton rubber	AUTHOR kratton rubber	AUTHOR kratton rubber	AUTHOR kratton rubber
STEM	AUTHOR alloy	AUTHOR alloy	alloy	AUTHOR alloy	ZOOM alloy	alloy
SEAT POST	AUTHOR alloy (31.6)	AUTHOR alloy (31.6)	alloy (27.2)	AUTHOR alloy (31.6)	ZOOM alloy (31.6)	alloy (27.2)
SEAT CLAMP	AUTHOR (34.9)	AUTHOR (34.9)	AUTHOR (31.8)	AUTHOR (34.9)	AUTHOR (34.9)	AUTHOR (31.8)
SADDLE	AUTHOR Champion CR	AUTHOR Champion	AUTHOR	AUTHOR Champion CR	AUTHOR Champion	AUTHOR
SPEED	11	24	18	9	24	18
WEIGHT	10.6 kg / 13.5"	12.5 kg / 13.5"	13.5 kg / 13.5"	9.5 kg / 12"	12.0 kg / 12"	12.4 kg / 12.5"

MODEL	A-MATRIX ASL 24	MATRIX 24	ULTIMA 24	RECORD 20	SMART 20	COSMIC 20
SIZE	12.5"	12.5"	12.5"	10"	10"	10"
FRAME	alloy 6061 24" (ASL)	hi-ten 24"	alloy 6061 24" (L)	alloy 6061 20"	alloy 6061 20"	alloy 6061 20"
FRONT FORK	RST Capa T 24 (50 mm)	ZOOM (40 mm)	hi-ten	alloy	RST Capa T 20 (50 mm)	hi-ten
HEAD PARTS	PRESTINE 1-1/8"	PRESTINE 1-1/8"	PRESTINE 1-1/8"	PRESTINE 1-1/8"	PRESTINE 1-1/8"	VP COMP 1"
CHAINWHEEL	PROWHEEL 42-34-24 teeth 152 mm cranks	PROWHEEL 42-34-24 teeth 152 mm cranks	PROWHEEL 36 teeth 152 mm cranks	PROWHEEL 36 teeth 140 mm cranks	PROWHEEL 36 teeth 127 mm cranks	PROWHEEL 36 teeth 127 mm cranks
B.B. PARTS	VP COMP	VP COMP	VP COMP	VP COMP	VP COMP	VP COMP
FRONT DERAILLEUR	SHIMANO TY500 (31.8)	SHIMANO TY500 (28.6)	-	-	-	-
REAR DERAILLEUR	SHIMANO TY21	SHIMANO TY21	SHIMANO TX800	SHIMANO TY300	SHIMANO TY21	SHIMANO TY21
SHIFTERS	SHIMANO Revoshift (18)	SHIMANO Revoshift (18)	SHIMANO Revoshift (8)	SHIMANO Revoshift (7)	SHIMANO Revoshift (6)	SHIMANO Revoshift (6)
FREEWHEEL	SHIMANO MF-TZ20 14-28 (6)	SHIMANO MF-TZ20 14-28 (6)	SHIMANO HG31-8 11-34 (8)	SHIMANO HG200-7 12-32 (7)	SHIMANO MF-TZ20 14-28 (6)	SHIMANO MF-TZ20 14-28 (6)
CHAIN	KMC Z33	KMC Z33	KMC Z72	KMC Z51	KMC Z33	KMC Z33
HUBS	QUANDO 32 holes	steel 32 holes	QUANDO 32 holes	QUANDO Disc 20 holes	QUANDO 32 holes	QUANDO 20 holes
BRAKES	TEKTRO V	TEKTRO V	TEKTRO V	TEKTRO V	TEKTRO V	TEKTRO V
BRAKE LEVERS	TEKTRO plastic / alloy	TEKTRO plastic / alloy	TEKTRO plastic / alloy	TEKTRO plastic / alloy	TEKTRO plastic / alloy	TEKTRO plastic / alloy
RIMS	alloy 32 holes	alloy 32 holes	alloy 32 holes	alloy 20 holes	alloy 32 holes	alloy 20 holes
SPOKES	steel	steel	steel	black steel	black steel	black steel
TIRES	24" x 1.75"	24" x 1.75"	24" x 1.50"	KENDA Small Block Eight kevlar 20" x 1.75"	20" x 1.75"	20" x 1.75"
PEDALS	resin	resin	resin	resin	resin	resin
HANDLEBAR	steel 20 mm 580 mm	steel 20 mm 580 mm	steel 20 mm 580 mm	alloy 25 mm 560 mm	steel 20 mm 540 mm	alloy 15 mm 540 mm
GRIPS	AUTHOR kratton rubber	AUTHOR kratton rubber	AUTHOR kratton rubber	AUTHOR kratton rubber	AUTHOR kratton rubber	AUTHOR kratton rubber
STEM	alloy	alloy	alloy	alloy	alloy	alloy
SEAT POST	alloy (27.2)	alloy (25.4)	alloy (27.2)	alloy (27.2)	alloy (27.2)	alloy (27.2)
SEAT CLAMP	AUTHOR (31.8)	AUTHOR (28.6)	AUTHOR (31.8)	AUTHOR (31.8)	AUTHOR (31.8)	AUTHOR (31.8)
SADDLE	AUTHOR	AUTHOR	AUTHOR	AUTHOR Pilot	AUTHOR Pilot	AUTHOR Pilot
SPEED	18	18	8	7	6	6
WEIGHT	12.4 kg / 12.4"	13.8 kg / 12.5"	11.2 kg / 12.5"	8.7 kg / 10"	10.7 kg / 10"	9.2 kg / 10"

MODEL	ENERGY 20	MELODY 20	KING KONG 16	STYLO 16	BELLO 16	ORBIT 16
SIZE	10"	10"	9"	9"	9"	9"
FRAME	hi-ten 20"	alloy 6061 20" (L)	alloy 6061 16"	alloy 6061 16"	alloy 6061 16" (L)	hi-ten 16"
FRONT FORK	hi-ten	hi-ten	alloy	hi-ten	hi-ten	hi-ten
HEAD PARTS	VP COMP 1"	VP COMP 1"	PRESTINE 1-1/8"	VP COMP 1"	VP COMP 1"	VP COMP 1"
CHAINWHEEL	PROWHEEL 36 teeth 127 mm cranks	PROWHEEL 36 teeth 127 mm cranks	PROWHEEL 32 teeth 114 mm cranks	PROWHEEL 32 teeth 102 mm cranks	PROWHEEL 32 teeth 102 mm cranks	PROWHEEL 32 teeth 102 mm cranks
B.B. PARTS	VP COMP	VP COMP	VP COMP	VP COMP	VP COMP	VP COMP
FRONT DERAILLEUR	-	-	-	-	-	-
REAR DERAILLEUR	SHIMANO TY21	SHIMANO TY21	-	-	-	-
SHIFTERS	SHIMANO Revoshift (6)	SHIMANO Revoshift (6)	-	-	-	-
FREEWHEEL	SHIMANO MF-TZ20 14-28 (6)	SHIMANO MF-TZ20 14-28 (6)	coasterhub 18 teeth	coasterhub 16 teeth	coasterhub 16 teeth	coasterhub 16 teeth
CHAIN	KMC Z33	KMC Z33	KMC Z33	KMC Z33	KMC Z33	KMC Z33
HUBS	steel 32 holes	steel 32 holes	rear coasterhub 28 holes	rear coasterhub 28 holes	rear coasterhub 28 holes	rear coasterhub 28 holes
BRAKES	TEKTRO V	TEKTRO V	TEKTRO V / coasterhub	TEKTRO V / coasterhub	TEKTRO V / coasterhub	TEKTRO V / coasterhub
BRAKE LEVERS	TEKTRO plastic / alloy	TEKTRO plastic / alloy	TEKTRO plastic / alloy	TEKTRO plastic / alloy	TEKTRO plastic / alloy	TEKTRO plastic / alloy
RIMS	alloy 32 holes	alloy 32 holes	alloy 28 holes	alloy 28 holes	alloy 28 holes	alloy 28 holes
SPOKES	steel	steel	black steel	black steel	steel	steel
TIRES	20" x 1.75"	20" x 1.50"	16" x 2.25"	16" x 1.75"	16" x 1.50"	16" x 1.75"
PEDALS	resin	resin	resin	resin	resin	resin
HANDLEBAR	steel 20 mm 540 mm	steel 20 mm 540 mm	alloy 45 mm 540 mm	alloy 60 mm 500 mm	steel 60 mm 500 mm	steel 60 mm 500 mm
GRIPS	AUTHOR kratton rubber	AUTHOR kratton rubber	AUTHOR kratton rubber	AUTHOR kratton rubber	AUTHOR kratton rubber	AUTHOR kratton rubber
STEM	alloy	alloy	alloy	alloy	alloy	alloy
SEAT POST	steel (25.4)	steel (27.2)	alloy (27.2)	alloy (27.2)	alloy (27.2)	steel (25.4)
SEAT CLAMP	AUTHOR (28.6)	AUTHOR (31.8)	AUTHOR (31.8)	alloy (31.8)	alloy (31.8)	alloy (28.6)
SADDLE	AUTHOR Pilot	AUTHOR Melody	AUTHOR Pilot	AUTHOR Stylo	AUTHOR Bello	AUTHOR Junior
SPEED	6	6	1	1	1	1
WEIGHT	10.9 kg / 10"	10.6 kg / 10"	7.7 kg / 9"	7.8 kg / 9"	8.2 kg / 9"	9.2 kg / 9"



	S/T c-t	T/T h	T/T a	H/T	C/S	W/B	S/T ang.	H/T ang.	F/L	B/B drop	B/B width	F/R
ULTRASONIC 26* T 1.5" PF												
13.5"	343	545	527	110	405	1020	73.5	69.5	440	30	73	38
SONIC 26* T 1.5" PF												
13.5"	343	545	530	110	415	1032	73.5	69.5	460	30	73	38
A-MATRIX 26												
13.5"	343	526	520	100	405	1002	73.5	69.5	460	30	68	38
ULTRASONIC 24* T 1.5" PF												
12"	305	500	482	110	400	965	73.5	70.0	372	25	68	45
MIRAGE* T 1.5" PF												
12"	305	500	489	110	400	959	73.0	70.0	410	25	68	38
A-MATRIX 24 / A-MATRIX ASL / MATRIX 24												
12.5"	318	492	482	100	395	956	73.5	70.0	410	20	68	42
ULTIMA												
12.5"	318	492	476	100	395	956	73.5	70.0	376	20	68	45
RECORD												
10"	254	430	419	90	360	850	73.5	71.0	321	15	68	28
SMART												
10"	254	430	426	90	360	850	73.5	71.0	364	15	68	42
COSMIC												
10"	254	435	419	90	360	847	73.0	72.0	316	10	68	45
ENERGY												
10"	254	435	419	90	360	846	73.0	72.0	316	10	68	45
MELODY												
10"	254	444	420	90	360	855	73.0	72.0	316	10	68	45
KING KONG 16*												
9"	229	400	388	110	310	766	73.0	69.0	280	5	73	28
STYLO												
9"	229	375	364	90	305	717	74.0	73.0	264	-5	68	34
BELLO												
9"	229	375	364	90	305	717	74.0	73.0	264	-5	68	34
ORBIT												
9"	229	375	364	90	305	717	74.0	73.0	264	-5	68	34

* t 1.5" PF - semiintegrated head set 1.5" tapered PF

PF - Press Fit

* - 1 1/8" semiintegrated head set PF 50 mm

GEOMETRY TABLE LEGEND:

- S/T c-t - seat tube (center-top)
- T/T h - top tube horizontal
- T/T a - top tube actual
- H/T - head tube
- C/S - chain stay
- W/B - wheel base
- S/T ang. - seat tube angle
- H/T ang. - head tube angle
- F/L - fork length
- B/B drop - bottom bracket drop
- B/B width - bottom bracket width
- F/R - fork rake

Recommended frame size to the body height for each model you can find on our web site www.author.eu



AUTHOR



UNIVERSE AGENCY spol. s r.o.
Prague 2
Czech Republic
e-mail: info@author.cz
www.author.eu



AUTHOR International Ltd.
Taichung City
Taiwan, R.O.C.
e-mail: service@authorbike.asia
www.en.author.eu



BIKE MANIA
Huizhou
China
e-mail: service@authorbike.asia
www.en.author.eu



UNIVERSE SLOVAKIA s.r.o.
Trenčianske Stankovce
Slovak Republic
e-mail: author@author.sk
www.author.sk



VELO sp. z o.o.
Gliwice
Poland
e-mail: office@velo.com.pl
www.author.pl



PULZAR d.o.o.
Kamnik
Slovenia
e-mail: pulzar@siol.net
www.author.si



TCT d.o.o.
Zagreb
Croatia
e-mail: ante.cuic@tct-author.hr
www.tct-author.hr



MEREUURIMISE ARENDUSKESKUS
Tallinn
Estonia
e-mail: author@author.ee
www.author.ee
Distribution for Estonia & Lithuania



SIA "ETG"
Riga
Latvia
e-mail: info@elkor.lv
www.elkor.com



URIEL HUNGARY Kft.
Budapest
Hungary
e-mail: info@authorkerekpar.hu
www.authorkerekpar.hu



Taylor Wheels GmbH
Schmölln-Putzkau
Germany
e-mail: service@taylor-wheels.de
www.taylor-wheels.de



HUSASMIÐJAN
Reykjavík
Iceland
e-mail: thoraust@husa.is
www.husa.is



PODILATIS GROUP
Thessaloniki
Greece
e-mail: info@podilatis.gr
www.podilatis.gr



MAXIMUM Ltd.
St. Petersburg
Russia
e-mail: maximum@msgbox.ru
www.st-peterbike.ru



VELOCITY Group Ltd.
Kaliningrad
Russia
e-mail: energysport39@mail.ru
www.esport39.ru



BELADVACOM Group Ltd.
Minsk
Republic of Belarus
e-mail: info@beladva.com
www.beladva.com



AT Distribution Lic.
Kiev
Ukraine
e-mail: author@atd.net.ua
www.author-ukraine.com



PARALAX s.r.l.
Kishinev
Moldova
e-mail: paralax@velo.md
www.velo.md



LIMPOPO OUTDOOR
Almaty
Kazakhstan
e-mail: limpopo-kz@mail.ru
www.limpopo.kz



DI SPORT Stores
Tashkent
Uzbekistan
e-mail: info@di-sport.com
www.di-sport.com



GERGERT Sport
Bishkek
Kyrgyzstan
e-mail: info@gergert.kg
www.gergert.kg



Authorbikes Philippines Incorporated
Cagayan de Oro City
Philippines
email: authorbikesphil.inc@gmail.com
www.en.author.eu
@authorbikesphilippines



www.author.eu

[www.facebook.com / Author.cz](https://www.facebook.com/Author.cz)

We reserve the right to change the technical specifications and colour solutions without notice.

© 2017 Universe Agency spol. s r. o.

AUTHOR 2018

