

2013

PATRIOT EVO Team NINJA FR NINJA DH NINJA DH Team PIMP 10 PIMP 20 EHE 24 EHE 18 ULTIMA ULTIMA A-
ON 29 QUANTA MYSTIC PEGAS SPIRIT SPIRIT 29 COR 2014
CTOR SECTOR 29 INTROVERT MAGNUM 29 AVION SYNERGY AURA 22 2014
RGY AURA 22 AURA 33 AURA 44 AURA 55 2014
EVO NINJA FR NINJA DH NINJA DH Team PIMP 10 PIMP 20 EHE 24 EHE 18 ULTIMA ULTIMA A-
ASL SOLUTION 29 QUANTA MYSTIC PATRIOT AM 1.0 2015
R SECTOR 29 INTROVERT MAGNUM 29 AVION SYNERGY AURA 22 AURA 22 2015
INTEGRA ELEVATION LINEA VERTIGO TRACTIO 2015

2014

2015

→ EN 2016

2017

2018



AUTHOR



AUTHOR OF THE BIKE

“Vision without action is just a dreaming, action without vision is a journey through darkness.”

Every single brand is made by three basic attributes:

- > **System**
- > **Vision**
- > **Dynamics**

Without **system** it is impossible to build a bike and accessories collection, have a sophisticated supplier base, or a functional distributor's network.

Vision gives direction and power to our work. With the vision we know, who we are, what we are doing and where we are going.

Dynamics represents the speed and intensity, which we spend on placing our visions into systems.

Author is an author of your bike

We all know, why we are creating bikes exactly the way we do. We are trying to understand all needs of our customers, but also to bring them brand new options and experiences. We control our brand; it means product, price and philosophy. Every new collection represents our effort to move borders of innovations in technical solution and design forward and higher.

And like in the high mountains, where the higher altitude increases the difficulty of further steps, after more than two decades making Author is a big challenge – to constantly move forward. We are not using “artificial oxygen” or carriers.

Everything is only our own work. The work of people who have technical erudition, flair for design and they love bikes.

Have a ride with Author bikes.

Martin J. Havlena





FSX 27.5 TRAIL ENDURO	FULL SUSPENSION MTB TRAIL ENDURO 27.5	4 - 11
FSX 27.5 26 DOWNHILL	FULL SUSPENSION MTB DOWNHILL 27.5 FREERIDE 26	12 - 17
FREESTYLE MTB BMX	FREESTYLE MOUNTAIN BIKES BMX	18 - 25
ADVENTURE	ADVENTURE BIKES	26 - 31
ROAD	ROAD BIKES	32 - 41
MTB 29	MOUNTAIN BIKES 29	42 - 53
E-MTB 27.5	MOUNTAIN ELECTRIC BIKES 27.5	54 - 57
MTB 27.5	MOUNTAIN BIKES 27.5	58 - 73
MTB ASL 27.5	LADIES MOUNTAIN BIKES 27.5	74 - 81
MTB 26	MOUNTAIN BIKES 26	82 - 93
CROSS	CROSS BIKES	94 - 115
CROSS ASL	LADIES CROSS BIKES	116 - 123
E-TOURING	ELECTRIC BIKES	124 - 129
TOURING	TOURING BIKES	130 - 139
JUNIOR	JUNIOR BIKES	140 - 163

FSX 27.5

TRAIL | ENDURO

1000



WHAT IS AUTHOR AG LAB

AUTHOR AG Lab is the association and co-operation of Czech engineers, test riders and selected top athletes. The abbreviation **AG Lab** stands for “**Author Gravity Laboratory**” and its major mission is to fight against undesirable gravitation to improve the riding characteristics of all categories of bicycles, from children’s to full suspension downhill specials. Recently this intensive co-operation has been successfully utilised efficiently and transfer most of the functional ideas to series production, where they proved to be excellently marketable. Further concrete results of Author AG Lab are own design parts (handlebars, stems, rims, hubs, grips, seat posts, seats, etc.), structural design of frames and mainly the original **Drive Link Pivot (DLP®)** suspension system, which won great popularity and acclaim among the cycling public and the professional media not only in the Czech Republic, but also abroad.

The first and fundamental idea of AG Lab is the motto “simplicity is power”, which brings with it a high unification of design frame elements across the frame platforms. In other words, it concerns the simplification of production and reduction of the number of frame parts (e.g. rear derailleur hangers, linkages, bearings, etc.)

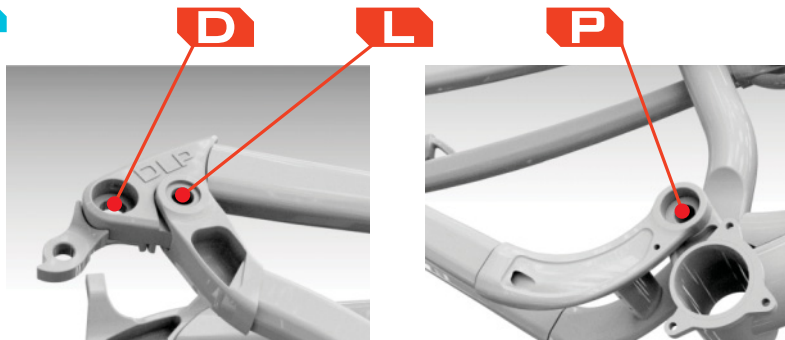
DLP® – DRIVE LINK PIVOT

This is a system based on the four-pivot mechanism principle. One of the major and unique ideas that were applied in the complete **DLP®** suspension system was placing a **DLP® link** (pivot – **pos. L**) above and in front of the rear wheel axle (rear wheel axle – **pos. D**). The link together with the position of the main pivot (main pivot of the rear triangle – **pos. P**) and the linkage geometry create a virtual pivot point path through out the travel. This path is one of the basic parameters to achieve the required suspension properties (kinematics) of the rear triangle.

The **DLP®** system with the optimum position and shape of the linkage contributes to the overall suspension characteristics depending on the purpose of the individual model series (so-called Leverage Ratio / rear wheel suspension characteristics).

SCHEMATIC DIAGRAM DLP®

- D** REAR WHEEL AXLE
- L** CHAIN STAY REAR PIVOT
- P** REAR TRIANGLE MAIN PIVOT



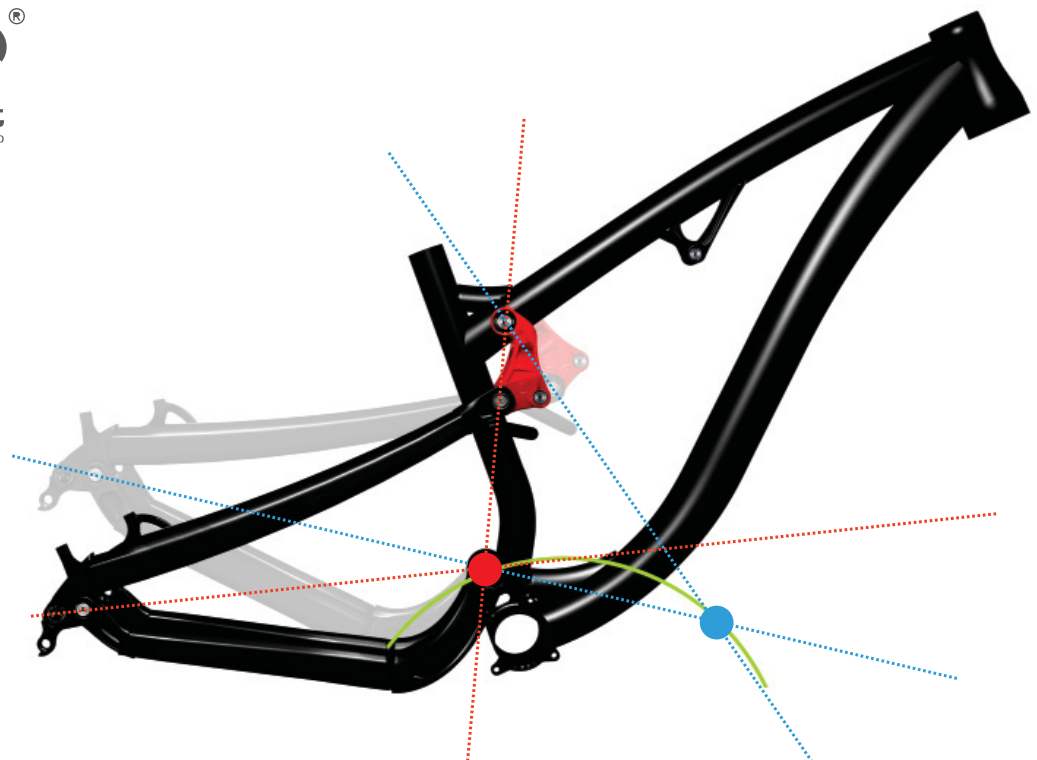
THE PRINCIPLE OF VIRTUAL PIVOT FOR SYSTEM DLP®



● UNCOMPRESSED
VIRTUAL PIVOT POSITION

● FULLY COMPRESSED
VIRTUAL PIVOT POSITION

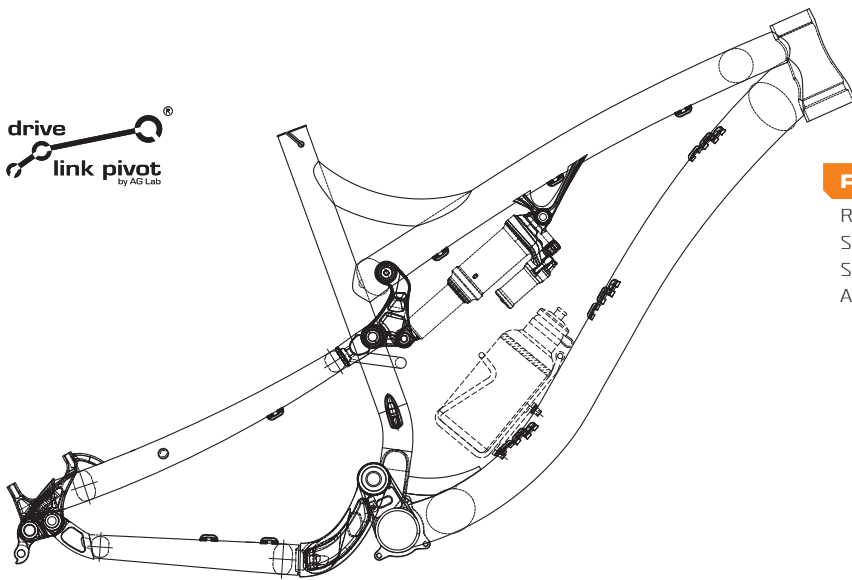
— VIRTUAL
PIVOT PATH



PATRIOT - SUSPENSION SYSTEM OF FRAME PLATFORM

The PATRIOT model series in its third generation offers a complete range of bicycles that follows the newest requirements based on the riding style – trail, enduro and newly all mountain. Its platform is the frame (designed for 27.5" and 27.5"+ wheels), using proprietary four-pivot technology, the **DLP® (Drive Link Pivot)**, with original frame geometry developed for trail and enduro style of riding. The linkage and pivot positions shift the "virtual pivot" of the suspension high above the pedal centre, thus reducing the rear triangle swaying when pedaling. This results in an optimum ratio between sensitivity to bumps and adequate elimination of the impact of pedaling on the rear triangle swaying. Besides being sensitive even while braking, the **DLP®** suspension of the rear triangle is characterised by minimal pedal kickback (when the cranks kick back during the shock absorber compression) and chain length extension or reduction.

Another advantage of **DLP®** is a set up of shock absorber with much lower air pressure or the use of softer springs. However, it almost eliminated the use of external functions of shock absorber to increase their own compression as Propedal and others like it – especially true when pedaling seated.

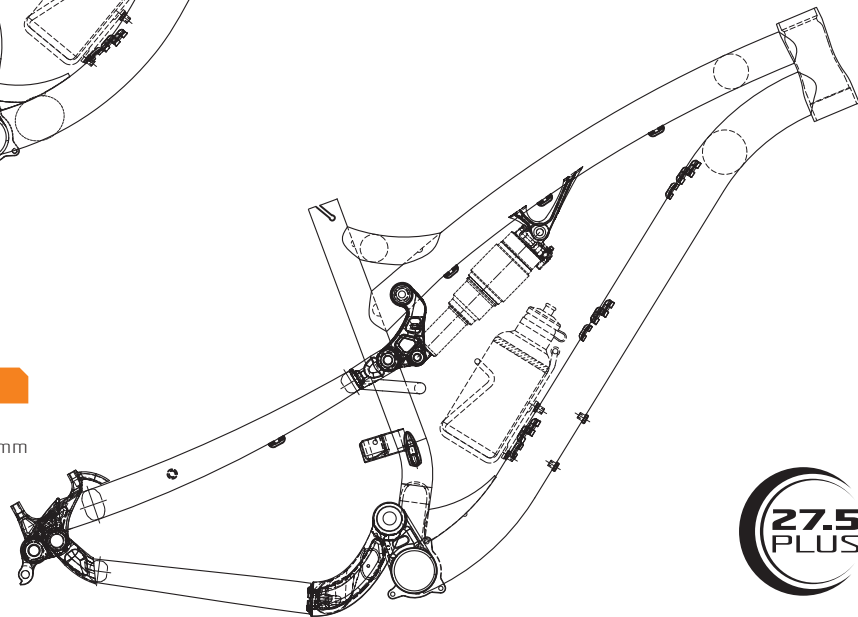


PATRIOT EVO TEAM / EVO

- Rear wheel travel 160 mm
- Shock absorber length 216 mm / travel 63 mm
- Shock absorber spacers 22,2 / 22,2 mm
- Alloy hard anodized hardware

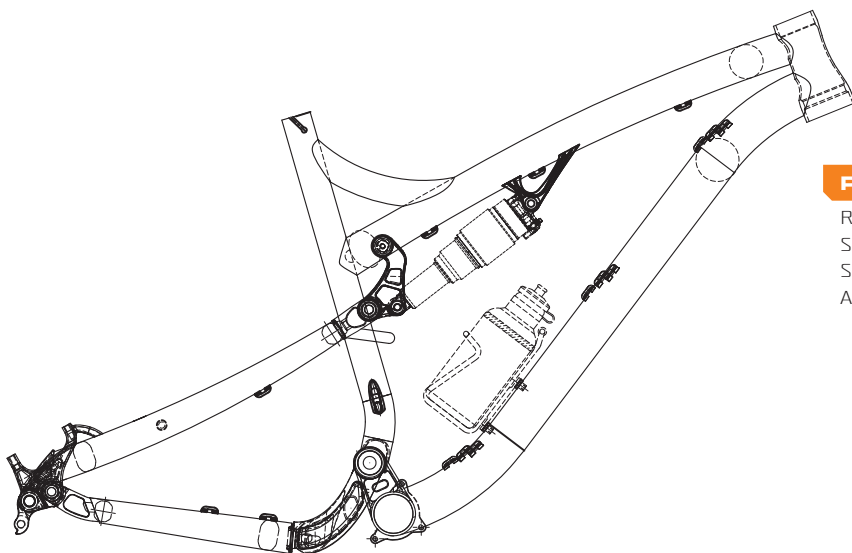
PATRIOT AM 1.0

- Rear wheel travel 120 mm
- Shock absorber length 200 mm / travel 50 mm
- Shock absorber spacers 22,2 / 22,2 mm
- Alloy hard anodized hardware



PATRIOT TRAIL 2.0 / 1.0

- Rear wheel travel 120 mm
- Shock absorber length 200 mm / travel 50 mm
- Shock absorber spacers 22,2 / 22,2 mm
- Alloy hard anodized hardware



SHIMANO
1x11

12x142



| PATRIOT EVO TEAM |

FRAME	double butted alloy 6061 27.5" (160 mm travel)	SHIFTERS	Shimano XT, 11 speed
REAR SHOCKER	Rock Shox Monarch Plus RC3 (216 / 63 mm)	BRAKES	Shimano XT (7")
FORK	Rock Shox Pike RC 27 15 SA, 15 mm axle, 1.5" tapered (160 mm travel)	FRONT TIRE	Maxxis High Roller II kevlar 27.5" x 2.30" TR
CHAINWHEEL	E13 TRS+ (32 teeth)	REAR TIRE	Maxxis Minion DHR II kevlar 27.5" x 2.30" TR
REAR DERAILLEUR	Shimano XT "clutch"	COLOR	Matte Phantom Black

SHIMANO
2x10

12x142



| PATRIOT EVO |

FRAME	double butted alloy 6061 27.5" (160 mm travel)	SHIFTERS	Shimano Deore, 20 speed
REAR SHOCKER	Rock Shox Monarch RL HV (216 / 63 mm)	BRAKES	TRP Slate 4 (7")
FORK	RST Rogue Air, 15 mm axle, 1.5" tapered (160 mm travel)	FRONT TIRE	Maxxis High Roller II kevlar 27.5" x 2.30" TR
CHAINWHEEL	Shimano Deore (36-22 teeth)	REAR TIRE	Maxxis Ardent kevlar 27.5" x 2.25" TR
REAR DERAILLEUR	Shimano XT "clutch"	COLOR	Matte Phantom Black / Racing Red



SHIMANO
2x10

12x148



| PATRIOT AM 1.0 |

FRAME	double butted alloy 6061 27.5+ (120 mm travel)	SHIFTERS	Shimano XT Deore, 20 speed
REAR SHOCKER	X-Fusion O2 RL (200 / 50 mm)	BRAKES	Shimano Alivio (7")
FORK	RST Rogue 27.5+, 15 mm axle, 1.5" tapered (140 mm travel)	TIRES	Maxxis Chronical kevlar 27.5" x 3.00" TR
CHAINWHEEL	Shimano Deore (36-22 teeth)	COLOR	Mc Laren Silver / California Orange
REAR DERAILLEUR	Shimano XT "clutch"		



FOTO: Petr Milfajt



SHIMANO
1x11

12x142



| PATRIOT TRAIL 2.0 |

FRAME	double butted alloy 6061 27.5" (120 mm travel)	SHIFTERS	Shimano XT, 11 speed
REAR SHOCKER	Rock Shox Monarch RL (200 / 50 mm)	BRAKES	Shimano Deore (7")
FORK	Rock Shox Reba RL 27 15 SA, 15 mm axle, 1.5" tapered (120 mm travel)	FRONT TIRE	Maxxis Ardent kevlar 27.5" x 2.25" TR
CHAINWHEEL	E13 TRS (34 teeth)	REAR TIRE	Maxxis Icon kevlar 27.5" x 2.20" TR
REAR DERAILEUR	Shimano XT "clutch"	COLOR	Matte Phantom Black

SHIMANO
2x10

12x142

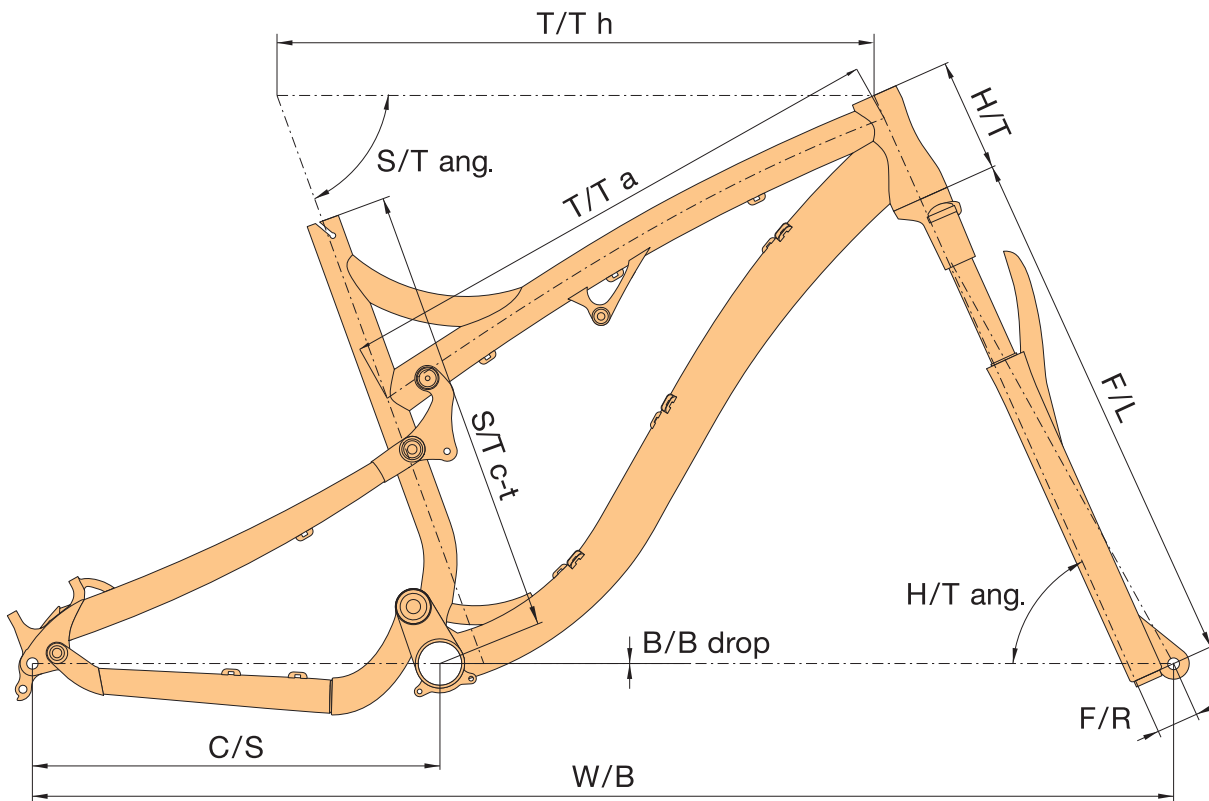


| PATRIOT TRAIL 1.0 |

FRAME	double butted alloy 6061 27.5" (120 mm travel)	SHIFTERS	Shimano Deore, 20 speed
REAR SHOCKER	X-Fusion Q2 RL (200 / 50 mm)	BRAKES	Shimano M395 (7")
FORK	RST F1RST 27.5 15, 15 mm axle, 1.5" tapered (120 mm travel)	FRONT TIRE	Maxxis Ardent kevlar 27.5" x 2.25"
CHAINWHEEL	Shimano Deore (38-24 teeth)	REAR TIRE	Maxxis Ikon kevlar 27.5" x 2.20"
REAR DERAILEUR	Shimano XT "clutch"	COLOR	Matte Temple Grey / Neon Yellow

MODEL	PATRIOT EVO TEAM	PATRIOT EVO	PATRIOT AM 1.0	PATRIOT TRAIL 2.0	PATRIOT TRAIL 1.0
SIZE	S, M, L, XL	S, M, L, XL	S, M, L, XL	S, M, L, XL	S, M, L, XL
FRAME	double butted alloy 6061 27.5" air shocker ROCK SHOX Monarch Plus RC3 216 / 63 mm (rear travel 160 mm)	double butted alloy 6061 27.5" air shocker ROCK SHOX Monarch RL HV 216 / 63 mm (rear travel 160 mm)	double butted alloy 6061 27.5" air shocker X-FUSION 02 RL 200 / 50 mm (rear travel 120 mm)	double butted alloy 6061 27.5" air shocker ROCK SHOX Monarch RL 200 / 50 mm (rear travel 120 mm)	double butted alloy 6061 27.5" air shocker X-FUSION 02 RL 200 / 50 mm (rear travel 120 mm)
FRONT FORK	ROCK SHOX Pike RC 27 15 Solo Air air, lock out 15 mm thru axle 1.5" tapered steerer (160 mm)	RST Rogue Air air, lock out 15 mm thru axle 1.5" tapered steerer (160 mm)	RST Rogue 27.5+ air, lock out 15 mm thru axle 1.5" tapered steerer (140 mm)	ROCK SHOX Reba RL 27 15 Solo Air air, lock out 15 mm thru axle 1.5" tapered steerer (120 mm)	RST F1RST 27.5 15 air, lock out 15 mm thru axle 1.5" tapered steerer (120 mm)
HEAD PARTS	PRESTINE Integrated 1.5" tapered	PRESTINE Integrated 1.5" tapered	PRESTINE Integrated 1.5" tapered	PRESTINE Integrated 1.5" tapered	PRESTINE Integrated 1.5" tapered
CHAINWHEEL	E13 TRS+ 32 teeth 170 / 175 mm cranks	SHIMANO Deore 36-22 teeth 170 / 175 mm cranks	SHIMANO DEORE 36-22 teeth 170 / 175 mm cranks	E13 TRS 34 teeth 170 / 175 mm cranks	SHIMANO Deore 38-24 teeth 170 / 175 mm cranks
B.B. PARTS	E13 TRS+ BB30 PF	SHIMANO Deore BB unit	SRAM BB30 PF	E13 TRS BB30 PF	SHIMANO Deore BB unit
FRONT DERAILLEUR	E13 chain guide	SRAM HD-11	SRAM HD-11	-	SHIMANO Deore (direct mount)
REAR DERAILLEUR	SHIMANO XT "clutch"	SHIMANO XT "clutch"	SHIMANO XT "clutch"	SHIMANO XT "clutch"	SHIMANO XT "clutch"
SHIFTERS	SHIMANO XT (11)	SHIMANO Deore (20)	SHIMANO Deore (20)	SHIMANO XT (11)	SHIMANO Deore (20)
FREEWHEEL	SHIMANO M8000 11-42 (11)	SHIMANO HG50-10 11-36 (10)	SHIMANO HG50-10 11-36 (10)	SHIMANO M8000 11-42 (11)	SHIMANO HG50-10 11-36 (10)
CHAIN	SHIMANO HG600	KMC X10	KMC X10	SHIMANO HG600	KMC X10
HUBS	AUTHOR Xenon 15 / Krypton 12 15 x 100 mm front thru axle 12 x 142 mm rear thru axle 32 holes	AUTHOR Helium 15 / Krypton 12 15 x 100 mm front thru axle 12 x 142 mm rear thru axle 32 holes	AUTHOR Xenon 15+ / Krypton 12+ 15 x 110 mm front thru axle 12 x 148 mm rear thru axle 32 holes	AUTHOR Helium 15 / Krypton 12 15 x 100 mm front thru axle 12 x 142 mm rear thru axle 32 holes	AUTHOR Helium 15 / Xenon 12 15 x 100 mm front thru axle 12 x 142 mm rear thru axle 32 holes
BRAKES	SHIMANO XT disc hydraulic (7" rotors)	TRP Slate 4 disc hydraulic (7" rotors)	SHIMANO Alivio disc hydraulic (7" rotors)	SHIMANO Deore disc hydraulic (7" rotors)	SHIMANO M395 disc hydraulic (7" rotors)
BRAKE LEVERS	SHIMANO XT	TRP Slate 4	SHIMANO Alivio	SHIMANO Deore	SHIMANO M396
RIMS	SPANK Dozy Trail 295 Bead Bite 32 holes	SPANK Dozy Trail 295 Bead Bite 32 holes	AUTHOR Krypton Plus 27.5 32 holes	SPANK Dozy Trail 295 Bead Bite 32 holes	AUTHOR Krypton Pro 27.5 32 holes
SPOKES	black stainless steel butted 1.8 / 2.0 mm	black stainless steel 2.0 mm	black stainless steel 2.0 mm	black stainless steel butted 1.8 / 2.0 mm	black stainless steel 2.0 mm
FRONT TIRE	MAXXIS High Roller II kevlar 27.5" x 2.30" tubeless ready	MAXXIS High Roller II kevlar 27.5" x 2.30" tubeless ready	MAXXIS Chronical kevlar 27.5" x 3.00" tubeless ready	MAXXIS Ardent kevlar 27.5" x 2.25" tubeless ready	MAXXIS Ardent kevlar 27.5" x 2.25"
REAR TIRE	MAXXIS Minion DHR II kevlar 27.5" x 2.30" tubeless ready	MAXXIS Ardent kevlar 27.5" x 2.25" tubeless ready	MAXXIS Chronical kevlar 27.5" x 3.00" tubeless ready	MAXXIS Ikon kevlar 27.5" x 2.20" tubeless ready	MAXXIS Ikon kevlar 27.5" x 2.20"
PEDALS	HT-PA01A	HT-PA12	HT-PA12	HT-PA12	HT-PA12
HANDLEBAR	SPANK Dozy Vibrocore 15 mm 760 mm	SPANK Dozy Trail 15 mm 760 mm	AG Lab alloy 15 mm 750 mm	SPANK Dozy Trail 30 mm 760 mm	AG Lab alloy 15 mm 750 mm
GRIPS	AG Lab GripLock	AG Lab GripLock	AG Lab GripLock	AG Lab GripLock	AG Lab GripLock
STEM	SPANK Spike Race	AG Lab alloy	AG Lab alloy	SPANK Dozy Trail	AG Lab alloy
SEAT POST	KIND SHOCK LEVI remote control adjustable (30.9)	KIND SHOCK LEVI remote control adjustable (30.9)	AG Lab alloy (30.9)	KIND SHOCK LEVI remote control adjustable (30.9)	AG Lab alloy (30.9)
SEAT CLAMP	AG Lab (34.9)	AG Lab (34.9)	AG Lab (34.9)	AG Lab (34.9)	AG Lab (34.9)
SADDLE	AUTHOR Genius	AUTHOR Patriot	AUTHOR Patriot	AUTHOR Patriot	AUTHOR Patriot
SPEED	11	20	20	11	20
WEIGHT	13,9 kg / M (TR)	14,8 kg / M (TR)	15,8 kg / M (TR)	13,3 kg / M (TR)	14,4 kg / M





	S/T c-t	T/T h	T/Ta	H/T	C/S	W/B	S/T ang.	H/T ang.	F/L	B/B drop	B/B width	F/R
PATRIOT EVO TEAM / PATRIOT EVO * t 1,5" PF												
S (15")	381	600	575	110	430	1170	74.0	66.0	550	0	73*	42
M (17")	432	620	595	120	430	1191	74.0	66.0	550	0	73*	42
L (19")	483	640	615	120	430	1211	74.0	66.0	550	0	73*	42
XL (21")	533	655	625	130	430	1227	74.0	66.0	550	0	73*	42
PATRIOT AM 1.0 * t 1,5" PF												
S (15")	381	600	576	110	435	1149	74.0	67.0	542	25	73*	42
M (17")	432	620	597	120	435	1170	74.0	67.0	542	25	73*	42
L (19")	483	640	614	120	435	1190	74.0	67.0	542	25	73*	42
XL (21")	533	655	629	130	435	1206	74.0	67.0	542	25	73*	42
PATRIOT TRAIL 2.0 / PATRIOT TRAIL 1.0 * t 1,5" PF												
S (15")	381	590	571	110	430	1127	74.0	68.0	510	15	73*	42
M (17")	432	610	590	120	430	1148	74.0	68.0	510	15	73*	42
L (19")	483	630	608	120	430	1168	74.0	68.0	510	15	73*	42
XL (21")	533	645	623	130	430	1184	74.0	68.0	510	15	73*	42

* t 1,5" PF – semiintegrated head set 1,5" tapered PF
 B/B width 73* – BB30 PF

PF – Press Fit

GEOMETRY TABLE LEGEND:

- S/T c-t – seat tube (center-top)
- T/T h – top tube horizontal
- T/T a – top tube actual
- H/T – head tube
- C/S – chain stay
- W/B – wheel base
- S/T ang. – seat tube angle
- H/T ang. – head tube angle
- F/L – fork length
- B/B drop – bottom bracket drop
- B/B width – bottom bracket width
- F/R – fork rake

Recommended frame size to the body height for each model you can find on our web site www.author.eu



2015
author
FSX

FSX 27.5 | 26
FREERIDE | DOWNHILL

FOTO: Petr Milfait

COLLECTION 2016

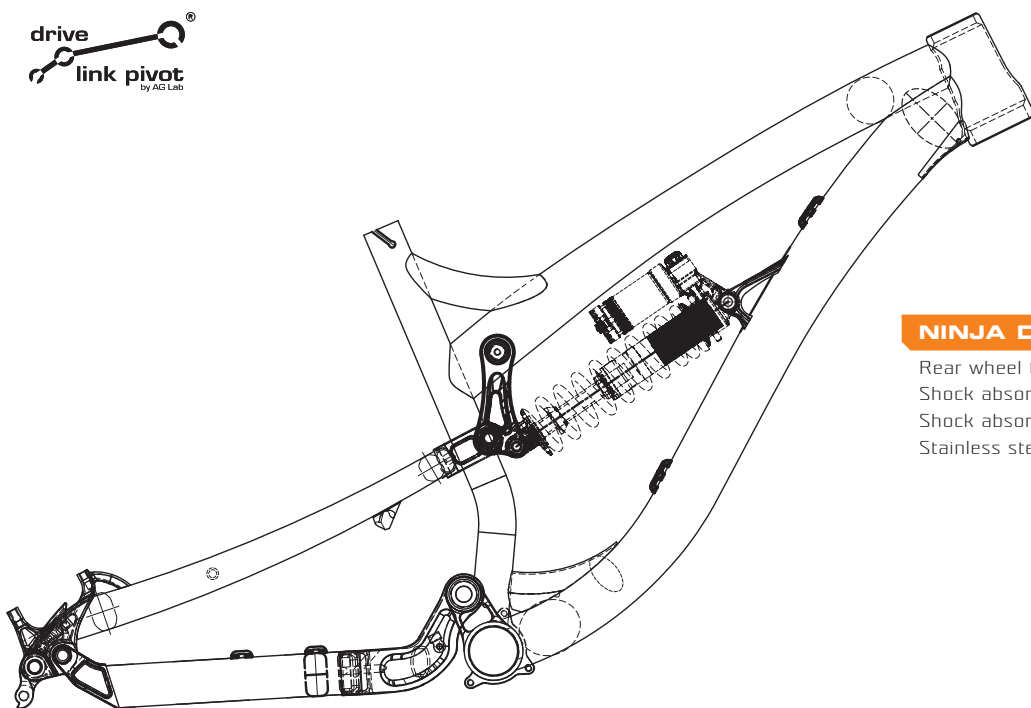


NINJA DH AND NINJA FR SUSPENSION SYSTEM OF FRAME PLATFORM

The **NINJA DH** and **NINJA FR** represent the model series designed for downhill, freeride and bikepark riding. The foundation is a very low = playful frame (**NINJA DH** models on 27.5" and **NINJA FR** on 26" wheels) with original geometry developed for extreme riding. The rear wheel suspension uses proprietary four-pivot technology, the **DLP® (Drive Link Pivot)**.

Both model series use a top linkage with forward travel and an almost horizontal shock absorber position. This design achieves high shock absorbing performance even for minor vibrations as well as progressive hardening of the shock absorber towards the end (the last 20%) of the rear wheel travel. Besides being sensitive even while braking, the **DLP®** suspension of the rear triangle is characterised by minimal **pedal kickback** (when the cranks kick back during the shock absorber compression) and chain length extension or reduction.

Another advantage of **DLP®** is a set up of shock absorber with much lower air pressure or the use of softer springs. However, it almost eliminated the use of external functions of shock absorber to increase their own compression as Propedal and others like it – especially true when pedaling seated.

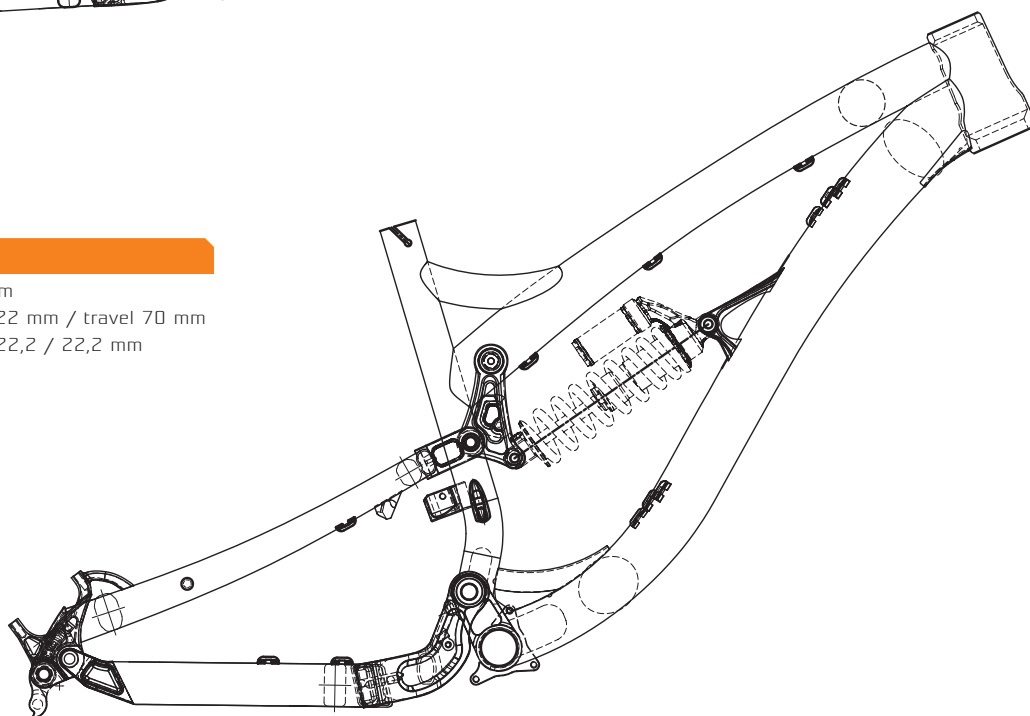


NINJA DH TEAM / NINJA DH

Rear wheel travel 200 mm
Shock absorber length 246 mm / travel 76 mm
Shock absorber spacers 22,2 / 22,2 mm
Stainless steel hardware

NINJA FR

Rear wheel travel 180 mm
Shock absorber length 222 mm / travel 70 mm
Shock absorber spacers 22,2 / 22,2 mm
Stainless steel hardware





| NINJA DH TEAM |

FRAME	alloy 6061 27" (200 mm travel)
REAR SHOCKER	Rock Shox Vivid Air R2C (240 / 76 mm)
FORK	Rock Shox Boxxer WC 27, 20 mm axle (200 mm travel)
CHAINWHEEL	E13 LG1 Race (36 teeth)
REAR DERAILLEUR	Sram XO DH

SHIFTERS	Sram XO Trigger, 7 speed
BRAKES	Avid Guide RS (8" / 7")
WHEEL SETS	Spank Spike Race 28 DH
TIRES	Maxxis High Roller kevlar 27.5" x 2.40", UST
COLOR	Matte Phantom Black / Glossy Racing Red



| NINJA DH |

FRAME	alloy 6061 27" (200 mm travel)
REAR SHOCKER	Rock Shox Kage RC (240 / 76 mm)
FORK	Rock Shox Boxxer RC 27, 20 mm axle (200 mm travel)
CHAINWHEEL	Shimano Zee (36 teeth)
REAR DERAILLEUR	Shimano Zee

SHIFTERS	Shimano Zee, 10 speed
BRAKES	Shimano Zee (8")
TIRES	Maxxis High Roller II 27.5" x 2.40"
COLOR	Matte Phantom Black / Glossy Racing Red





| NINJA FR |

FRAME	alloy 6061 26" (180 mm travel)	SHIFTERS	Sram X5 Trigger, 9 speed
REAR SHOCKER	X-Fusion Vector R (222 / 70 mm)	BRAKES	TRP Slate 4 (8" / 7")
FORK	RST Storm Super, 20 mm axle, 1.5" tapered (180 mm travel)	TIRES	Maxxis High Roller II 26" x 2.40"
CHAINWHEEL	Truvativ Hussefelt 1.0 (34 teeth)	COLOR	Olive Green / Matte Phantom Black
REAR DERAILLEUR	Sram X7		

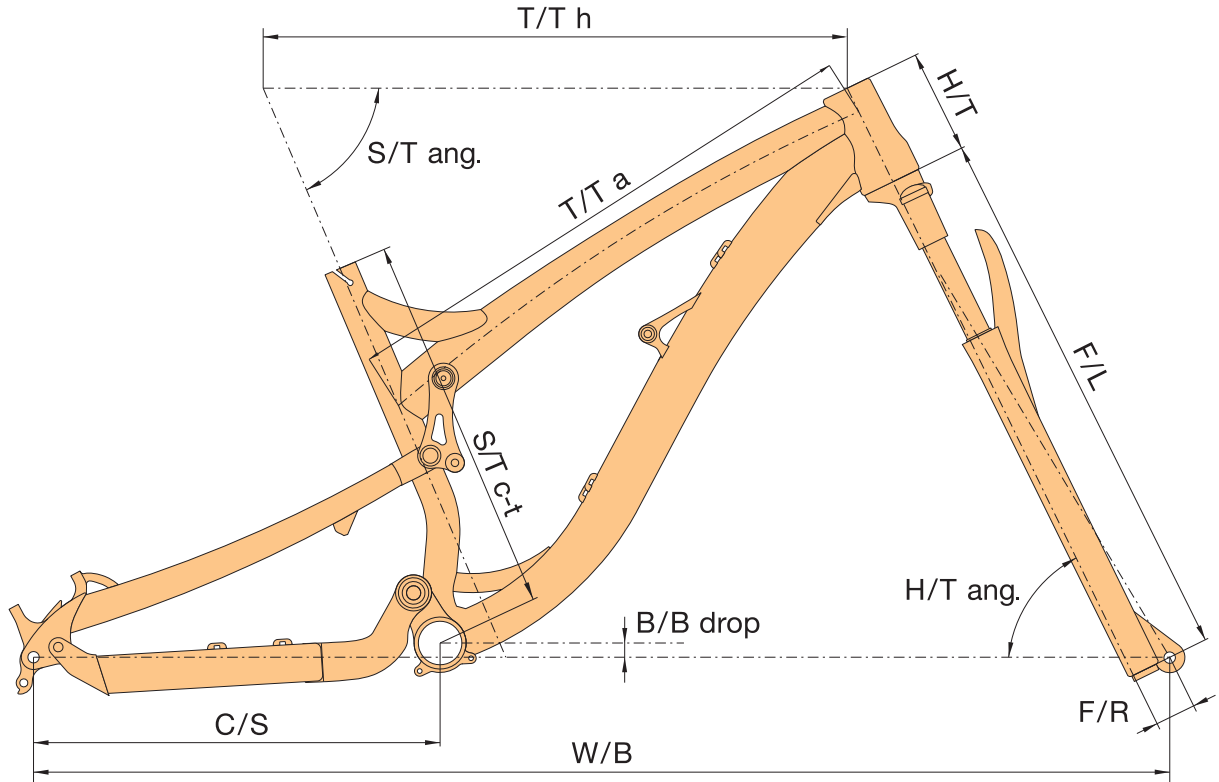


FOTO: Arthur Chambre

PHOTO: Jakub Fiser

MODEL	NINJA DH TEAM	NINJA DH	NINJA FR
SIZE	S, M, L	S, M, L	S, M, L
FRAME	alloy 6061 27.5", suspension air shocker ROCK SHOX Vivid Air R2C 240 / 76 mm (rear travel 200 mm)	alloy 6061 27.5" coil shocker ROCK SHOX Kage RC 240 / 76 mm (rear travel 200 mm)	alloy 6061 26" spring shocker X-FUSION Vector R 222 / 70 mm (rear travel 180 mm)
FRONT FORK	ROCK SHOX Boxxer WC 27 air 20 mm thru axle (200 mm)	ROCK SHOX Boxxer RC 27 coil 20 mm thru axle (200 mm)	RST Storm Super oil 20 mm thru axle 1.5" tapered steerer (180 mm)
HEAD PARTS	PRESTINE Integrated 1-1/8"	PRESTINE Integrated 1-1/8"	PRESTINE F9B 1.5" tapered
CHAINWHEEL	E13 LG1 Race 36 teeth 165 mm cranks	SHIMANO Zee 36 teeth 165 mm cranks	TRUVATIV Hussefelt 1.0 34 teeth 170 mm cranks
B.B. PARTS	E13 LG1 Race BB30 PF	SHIMANO Zee BB unit	TRUVATIV Howitzer
FRONT DERAILLEUR	E13 chain guide	E13 chain guide	E13 chain guide
REAR DERAILLEUR	SRAM XO-DH	SHIMANO Zee	SRAM X7
SHIFTERS	SRAM XO Trigger (7)	SHIMANO Zee (10)	SRAM X5 Trigger (9)
FREEWHEEL	SRAM XG-795 10-24 (7)	SHIMANO CS 5700 11-25 (10)	SRAM PG-950 11-32 (9)
CHAIN	KMC DLC black	KMC X10	KMC X9
HUBS	SPANK Spike Race 28 DH 27.5 20 mm front thru axle 12 x 157 mm rear thru axle wheel set 32 holes	AG Lab Disc 20 mm front thru axle 12 x 157 mm rear thru axle 32 holes	AG Lab Disc 20 mm front thru axle 12 x 142 mm rear thru axle 32 holes
BRAKES	AVID Guide RS disc hydraulic (8" / 7" rotors)	SHIMANO Zee disc hydraulic (8" rotors)	TRP Slate 4 disc hydraulic (8" / 7" rotors)
BRAKE LEVERS	AVID Guide RS	SHIMANO Zee	TRP Slate 4
RIMS	SPANK Spike Race 28 DH 27.5 wheel set 32 holes	AG Lab Reverse 32 holes	AG Lab Reverse 32 holes
SPOKES	SPANK Spike Race 28 DH 27.5 32 holes	black stainless steel butted front 1.8 / 2.0 mm rear 2.0 / 2.3 mm	black stainless steel butted front 1.8 / 2.0 mm rear 2.0 / 2.3 mm
FRONT TIRE	MAXXIS High Roller kevlar 27.5" x 2.40" UST	MAXXIS High Roller II 27.5" x 2.40"	MAXXIS High Roller II 26" x 2.40"
REAR TIRE	MAXXIS High Roller kevlar 27.5" x 2.40" UST	MAXXIS High Roller II 27.5" x 2.40"	MAXXIS High Roller II 26" x 2.40"
PEDALS	HT-PA12A	HT-PA01A	AG Lab platform alloy replaceble pins
HANDLEBAR	SPANK 800 Race 15 mm 800 mm S 30 mm 800 mm M, L	SPANK Spoon 785 40 mm 785 mm	AG Lab alloy 30 mm 780 mm
GRIPS	AG Lab GripLock	AG Lab GripLock	AG Lab GripLock
STEM	SPANK Spike 25 / 30 DM	SPANK Spike 25 / 30 DM	AG Lab alloy
SEAT POST	AG Lab alloy (30.9)	AG Lab alloy (30.9)	AG Lab alloy (30.9)
SEAT CLAMP	AG Lab (34.9)	AG Lab (34.9)	AG Lab (34.9)
SADDLE	AG Lab Throne DH / FR CR	AG Lab Throne DH / FR	AG Lab Throne DH / FR
SPEED	7	10	9
WEIGHT	16.0 kg / M	18 kg / M	18,6 kg / M





	S/T c-t	T/T h	T/Ta	H/T	C/S	W/B	S/T ang.	H/T ang.	F/L	B/B drop	BB width	F/R
NINJA DH TEAM / NINJA DH * - 1 1/8" PF												
S [15,5"]	395	590	560	120	445	1190	67.0	64.0	581	-5	83*	48
M [16"]	410	610	580	120	445	1210	67.0	64.0	581	-5	83*	48
L [17"]	420	625	590	120	445	1225	67.0	64.0	581	-5	83*	48
NINJA FR * t 1,5" PF												
S [15"]	380	560	568	120	430	1160	73.5	66.0	560	-25	73	43
M [16"]	410	580	583	120	430	1180	73.5	66.0	560	-25	73	43
L [17"]	435	600	605	125	430	1200	73.5	66.0	560	-25	73	43

* - 1 1/8" semiintegrated head set PF

PF - Press Fit

* t 1,5" PF - semiintegrated head set 1,5" tapered PF

B/B width 83* - BB30 PF

GEOMETRY TABLE LEGEND:

- S/T c-t - seat tube (center-top)
- T/T h - top tube horizontal
- T/T a - top tube actual
- H/T - head tube
- C/S - chain stay
- W/B - wheel base
- S/T ang. - seat tube angle
- H/T ang. - head tube angle
- F/L - fork length
- B/B drop - bottom bracket drop
- B/B width - bottom bracket width
- F/R - fork rake

Recommended frame size to the body height for each model you can find on our web site www.author.eu



FREESTYLE
MTB | BMX

FREESTYLE
MTB | BMX

PHOTO: Josef Sulc



FREESTYLE FRAMES PLATFORM

All frames were developed by our top dirt and street riders with dedication to deliver the best quality in terms of strength, weight and geometry. It took many broken prototype frames to find the best balance among all mentioned crucial attributes. 20", 24" or 26" wheel size frames are available.

MATERIAL AND FRAME TECHNOLOGY

Premium custom butted 4130 cromoly steel tubing with thermal treatment of head tube, BB shell and drop outs.

EXTENDED SEAT STAY - ESS

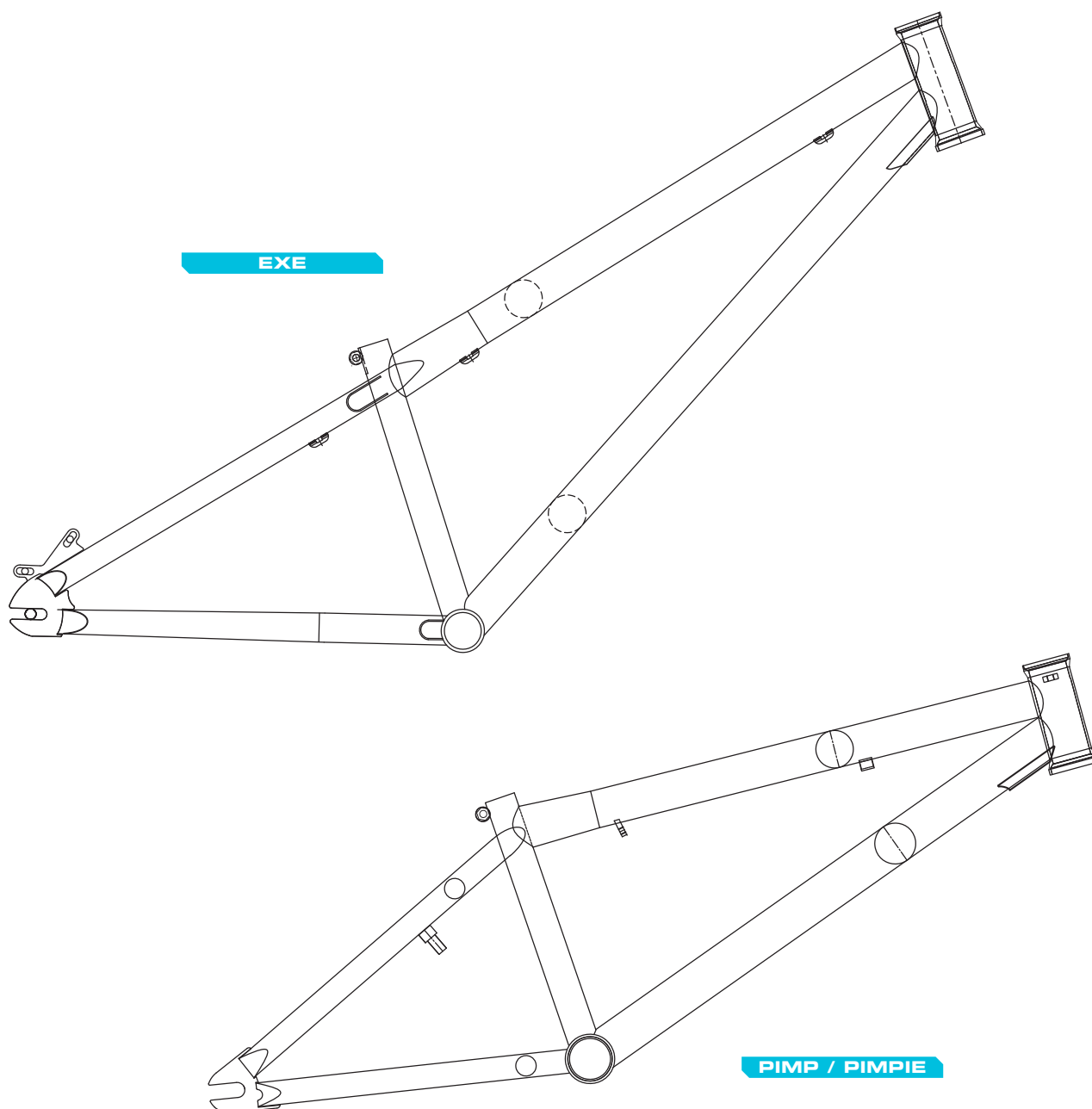
ESS
extended seat stay

The extended seat stay structural element makes it possible to increase the rigidity of one of the most strained points of the frame. This simple solution increases the area of contact between the top and seat tubes and the seat stays. Their solid interconnection produces a structural node that is resistant to forces generated when riding.

SMART CABLE ROUTING - SCR

SCR
smart cable routing

A seemingly unimportant detail like where the brake and gear shift cables run may have a negative impact on the functionality of the bike's primary mechanisms. Based on long-term practical testing and computer simulation, Author has chosen the ideal cable routing for each of its frame categories with respect to its size, type and purpose.





| EXE |

FRAME	double butted cromoly 26"	BRAKES	Tektro Aries, rear (5")
FORK	RST Dirt T (100 mm travel)	TIRES	Maxxis DTH kevlar 26" x 2.15"
CHAINWHEEL	FSA Step Up (32 teeth)	COLOR	California Orange



| EXE 24 |

FRAME	double butted cromoly 24"	BRAKES	Tektro Aries, rear (5")
FORK	cromoly	TIRES	Kenda Karnium 24" x 2.10"
CHAINWHEEL	steel, 3 piece (25 teeth)	COLOR	Star Purple





| PIMP 2.0 |

FRAME	cromoly Ondra Slez Geo 20"	BRAKES	Promax U-960, rear
FRONT FORK	hi-ten	TIRES	Kenda 20" x 2.125"
CHAINWHEEL	steel 3 piece (25 teeth)	COLOR	California Orange



| PIMP 1.0 |

FRAME	hi-ten 20" (L)	BRAKES	Tektro FX-3400, rear
FRONT FORK	hi-ten	TIRES	Kenda 20" x 2.125"
CHAINWHEEL	steel 3 piece (36 teeth)	COLOR	Author Red



| PIMPIE |

FRAME	hi-ten 20" (S)	BRAKES	Tektro FX-340D, rear
FORK	hi-ten	TIRES	Kenda K-905, 20" x 2.125", white sidewalls
CHAINWHEEL	steel, 3 piece (25 teeth)	COLOR	Matte Phantom Black

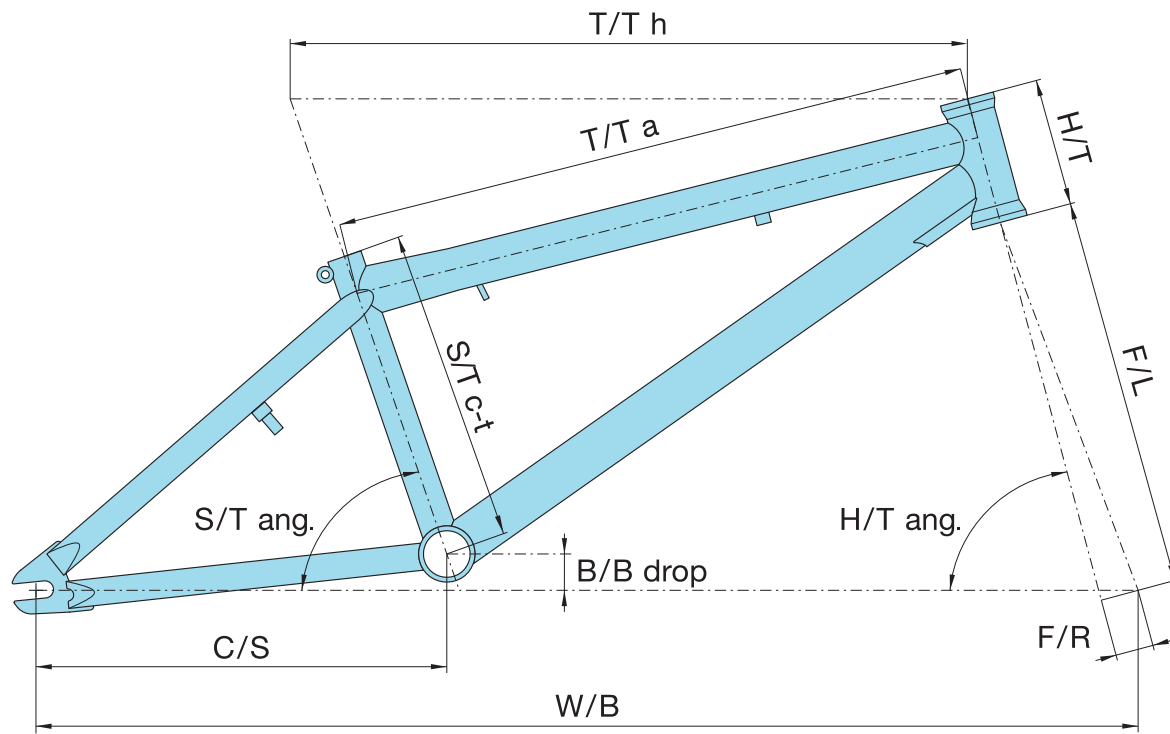


PHOTO: Josef Sulc

COLLETTI 0116



MODEL	EXE	EXE 24	PIMP 2.0	PIMP 1.0	PIMPIE
SIZE	11"	11"	S (T/Ta 19") L (T/Ta 20,6")	L (T/Ta 20,6")	S (T/T a 19")
FRAME	double butted cromoly 26"	double butted cromoly 24"	cromoly Ondra Slez Geo 20"	hi-ten 20"	hi-ten 20"
FRONT FORK	RST Dirt T (100 mm)	cromoly	hi-ten	hi-ten	hi-ten
HEAD PARTS	PRESTINE Integrated 1-1/8"	PRESTINE Integrated 1-1/8"	PRESTINE Integrated 1-1/8"	PRESTINE 1-1/8"	PRESTINE 1-1/8"
CHAINWHEEL	FSA Step Up 32 teeth 170 mm cranks	steel 3 piece 25 teeth alloy 170 mm cranks	steel 3 piece 25 teeth alloy 170 / 175 mm cranks	steel 3 piece 36 teeth alloy 175 mm cranks	steel 3 piece 25 teeth alloy 170 mm cranks
B.B. PARTS	FSA cartridge Euro	FSA cartridge Euro	Mid BB, steel axle industrial bearings	Mid BB, steel axle industrial bearings	Mid BB, steel axle industrial bearings
FRONT DERAILLEUR	-	-	-	-	-
REAR DERAILLEUR	-	-	-	-	-
SHIFTERS	-	-	-	-	-
FREEWHEEL	cassette (14 teeth)	cassette (11 teeth)	cassette (9 teeth)	DICTA (14 teeth)	cassette (9 teeth)
CHAIN	KMC K710	KMC K710	KMC 510H	KMC Z510H	KMC 510H
HUBS	QUANDO 10 mm front axle 10 mm rear axle 36 holes	QUANDO 10 mm front axle 10 mm rear axle 36 holes	AG Lab 10 mm front axle 14 mm cromoly rear axle 36 holes	QUANDO 10 mm front axle 14 mm rear axle 36 holes	QUANDO 10 mm front axle 14 mm rear axle 36 holes
BRAKES	TEKTRO Aries disc mechanical rear (5" rotor)	TEKTRO Aries disc mechanical rear (5" rotor)	PROMAX U-960 rear	TEKTRO FX-3400 rear	TEKTRO FX-3400 rear
BRAKE LEVERS	TEKTRO ML-570 rear	TEKTRO ML-570 rear	PROMAX FS-340 rear	TEKTRO 289A rear	TEKTRO 289A rear
RIMS	alloy 36 holes	alloy 36 holes	alloy 36 holes	alloy 36 holes	alloy 36 holes
SPOKES	black stainless steel 2.0 mm	black stainless steel 2.0 mm	black steel	black steel	black steel
FRONT TIRE	MAXXIS DTH kevlar 26" x 2.15"	KENDA Karnium 24" x 2.10"	KENDA White Black 20" x 2.125"	KENDA White Black 20" x 2.125"	KENDA White Black 20" x 2.125"
REAR TIRE	MAXXIS DTH kevlar 26" x 2.15"	KENDA Karnium 24" x 2.10"	KENDA White Black 20" x 2.125"	KENDA White Black 20" x 2.125"	KENDA White Black 20" x 2.125"
PEDALS	HT-PA12	HT-PA12	HT-PA12	AG Lab platform resin	platform resin
HANDLEBAR	cromoly 86 mm 740 mm	cromoly 86 mm 740 mm	Ondra Slez Geo steel 2 piece 720 mm	steel 2 piece 720 mm	steel 2 piece 720 mm
GRIPS	BMX	BMX	AG Lab BMX	AG Lab BMX	BMX
STEM	alloy	alloy	alloy	alloy	alloy
SEAT POST	pivotal alloy (25.4)	pivotal alloy (25.4)	pivotal steel (25.4)	hi-ten (25.4)	hi-ten (25.4)
SEAT CLAMP	-	-	-	-	-
SADDLE	AG Lab BMX pivotal	AG Lab BMX pivotal	AG Lab BMX pivotal	AG Lab BMX 8 mm rails	AG Lab BMX pivotal 8mm rails
SPEED	1	1	1	1	1
WEIGHT	11"/ 13,5 kg	11"/ 11,8 kg	11.6 kg / L	11.7 kg / L	11 kg / S



FREESTYLE 26" / 24"

size	S/T c-t	T/T h	T/Ta	H/T	C/S	W/B	S/T ang.	H/T ang.	F/L	B/B drop	B/B width	F/R
EXE * DI 1 1/8"												
11"	280	585	570	120	380	1032	72.5	70.0	460	5	68**	42
EXE 24 * DI 1 1/8"												
11"	280	585	570	120	380	1032	72.5	70.0	460	5	68**	42

FREESTYLE 20"

BMX size*	S/T c-t	T/T h	T/Ta	H/T	C/S	W/B	S/T ang.	H/T ang.	F/L	B/B drop	B/B width	F/R
PIMP 2.0 * DI 1 1/8"												
S (19")	213	520	482.6	105	340	863	71.0	74,5°	320	-30	68*	28
L (20,6")	257	555	523.24	105	340	900	71.0	75.0	320	-30	68*	28
PIMP 1.0												
L (20,6")	235	544	523.24	105	350	912	71.0	75.0	320	-30	68*	28
PIMPIE												
S = 19"	213	520	482.6	105	340	863	71.0	74,5°	320	-30	68*	28

*DI 1 1/8" - Drop In

bmX size* - T/Ta* - giving the actual top tube length (T/Ta) in inches

B/B width 68* - MID

B/B width 68** - Euro

GEOMETRY TABLE LEGEND:

S/T c-t - seat tube (center-top)

T/T h - top tube horizontal

H/T - head tube

C/S - chain stay

W/B - wheel base

S/T ang. - seat tube angle

H/T ang. - head tube angle

F/L - fork length

B/B drop - bottom bracket drop

B/B width - bottom bracket width

F/R - fork rake

Recommended frame size to the body height for each model you can find on our web site www.author.eu



BMX
MTB
FREESTYLE
FOR
MTB | BMX



FREESTYLE
MTB | BMX



ADVENTURE

ADVENTURE

FOTO: Horza Tandler



COLLECTION 2016

ADVENTURE BIKE CONCEPT

Adventure, overcoming oneself, a classical product in the form of a cromoly steel frame, wide tires, disc brakes and mainly fun... This is precisely the new bicycle category offered by the Ronin "road" bicycle with the elements of a terrain and the Su-Mo "snow" bicycle that is not only a winter special. Thanks to our original geometry, both bicycles offer exquisite riding regardless of whether it is winter or summer, which has become addictive for many bikers!

MATERIAL AND FRAME TECHNOLOGY

Premium custom butted 4130 cromoly steel tubing with thermal treatment of head tube, BB shell and drop outs.

INSIDE DISCMOUNT DESIGN - IDD

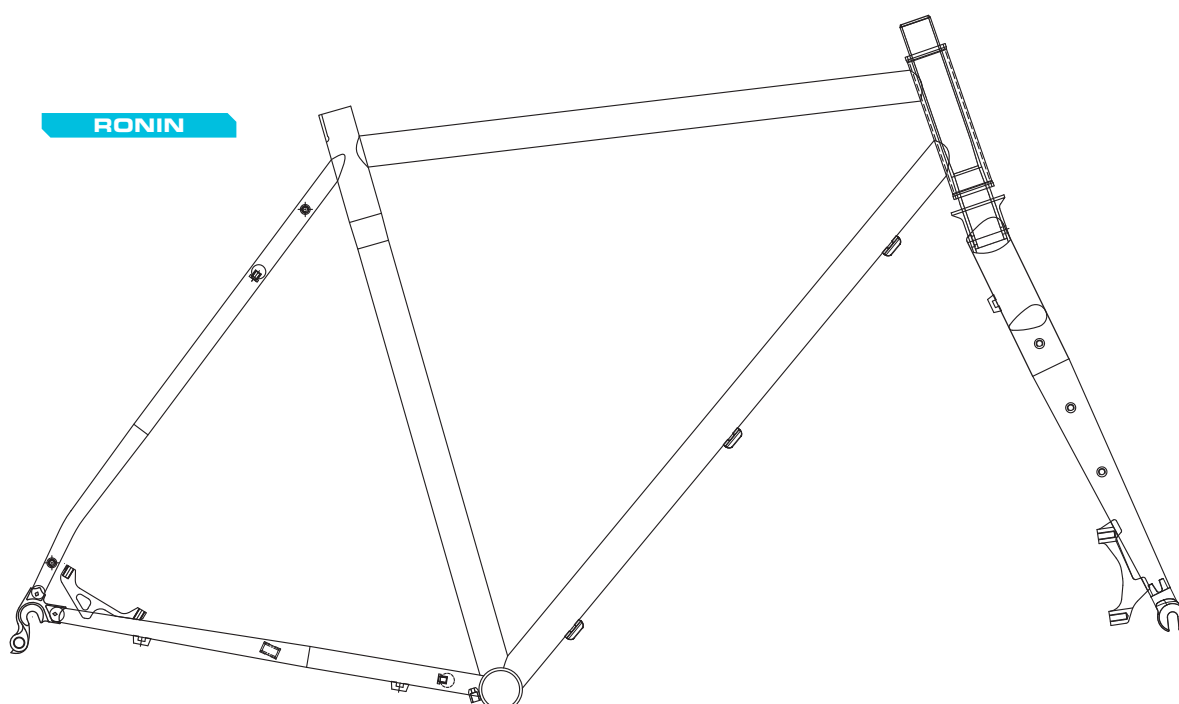
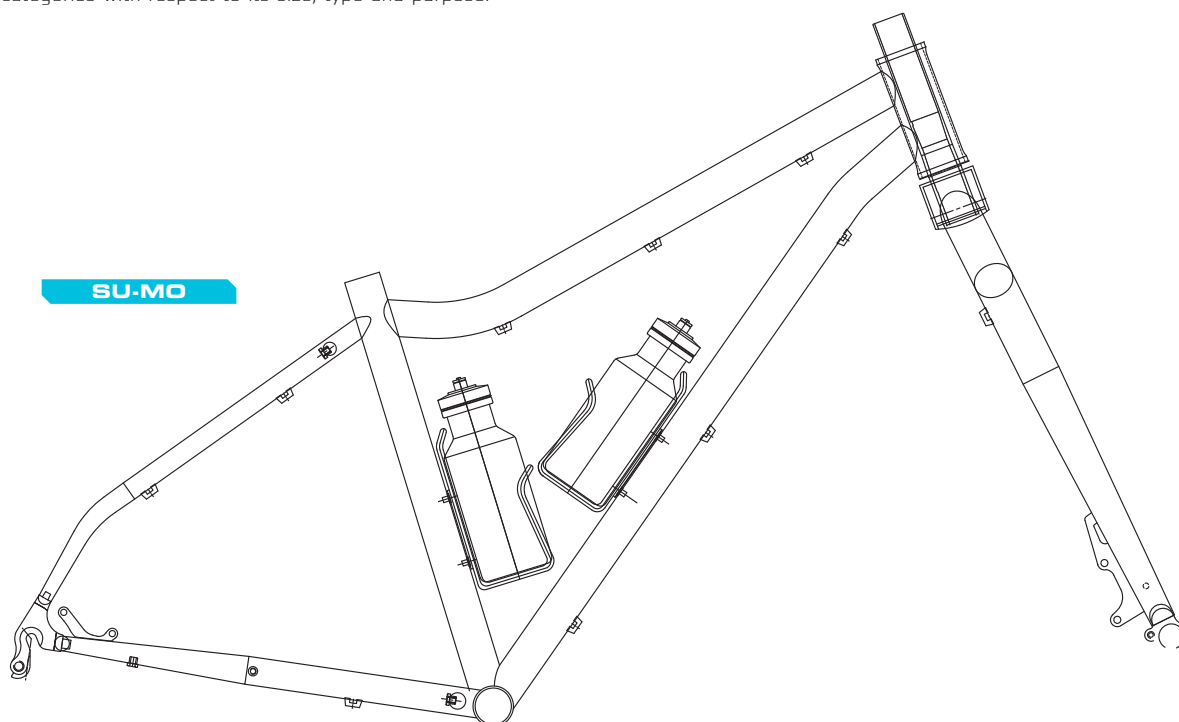
IDD
inside discmount
design

The presence of the disc mount inside the rear triangle brings design and structural purity in using disc brake systems. This design permits better protection of the brake body and brake cable from damage and ensures perfect visual connection of the components with the frame.

SMART CABLE ROUTING - SCR

SCR
smart cable
routing

A seemingly unimportant detail like where the brake and gear shift cables run may have a negative impact on the functionality of the bike's primary mechanisms. Based on long-term practical testing and computer simulation, Author has chosen the ideal cable routing for each of its frame categories with respect to its size, type and purpose.





| SU-MO |

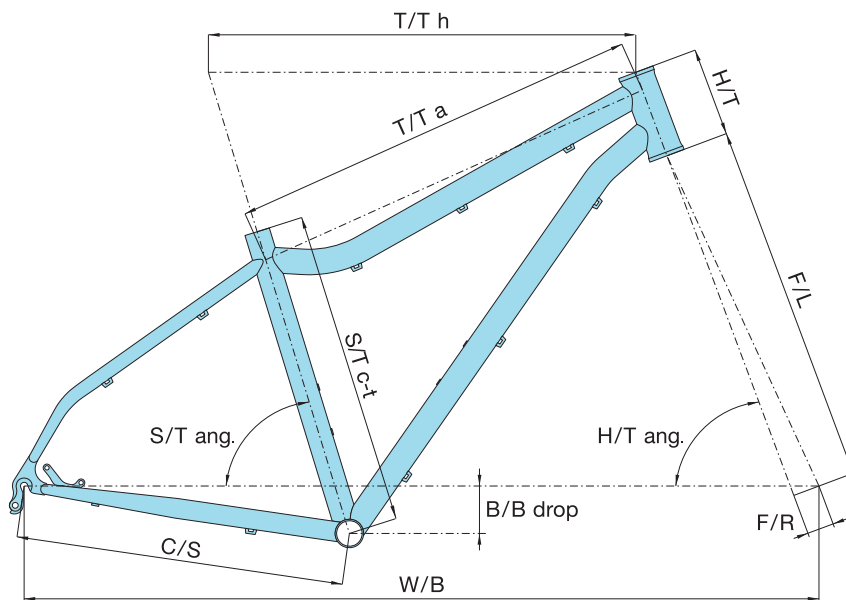
FRAME	double butted cromoly 26"	SHIFTERS	Shimano Deore, 20 speed
FORK	cromoly	BRAKES	Tektro Aries (7')
CHAINWHEEL	Samox (36-22 teeth)	TIRES	Maxxis Mammoth 26" x 4.00"
REAR DERAILLEUR	Shimano Deore	COLOR	Star Black



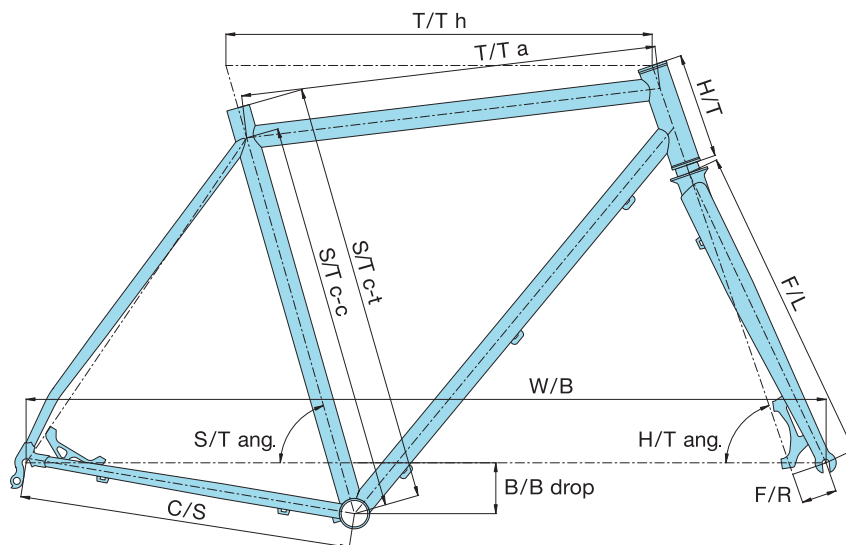
| RONIN |

FRAME	triple butted cromoly	SHIFTERS	Shimano Tiagra, 20 speed
FORK	cromoly	BRAKES	TRP Spyre (5')
CHAINWHEEL	Shimano Tiagra (50-34 teeth), BB unit	TIRES	Continental Speed Ride 700 x 42
REAR DERAILLEUR	Shimano Tiagra	COLOR	Star Orange

MODEL	SU-MO	RONIN
SIZE	17", 19", 21"	480, 500, 520, 540, 560, 580 mm
FRAME	double butted cromoly 26"	triple butted cromoly
FRONT FORK	cromoly	cromoly
HEAD PARTS	PRESTINE Integrated 1-1/8"	PRESTINE 1-1/8"
CHAINWHEEL	SAMOX 36-22 teeth 170 / 175 mm cranks	SHIMANO Tiagra Compact 50-34 teeth 170 / 172.5 / 175 mm cranks
B.B. PARTS	SAMOX 100 mm	SHIMANO Tiagra BB unit
FRONT DERAILLEUR	SHIMANO Deore (direct mount)	SHIMANO Tiagra (28.6)
REAR DERAILLEUR	SHIMANO Deore	SHIMANO Tiagra
SHIFTERS	SHIMANO Deore (20)	SHIMANO Tiagra (20)
FREEWHEEL	SHIMANO HG50-10 11-36 (10)	SHIMANO HG500-10 11-34 (10)
CHAIN	KMC X10 EPT antirust	KMC X10
HUBS	Quando Disc 32 holes	QUANDO Road Disc 32 holes
BRAKES	TEKTRO Aries disc mechanical (7" rotor)	TRP Spyre disc mechanical (160 mm rotors)
BRAKE LEVERS	TEKTRO ML-570	SHIMANO Tiagra
RIMS	JALCO Snoy 32 holes	JALCO DRX 27 32 holes
SPOKES	black stainless steel 2.0 mm	black stainless steel 1.8 mm
FRONT TIRE	MAXXIS Mammoth 26" x 4.00"	CONTINENTAL Speed Ride 700 x 42c
REAR TIRE	MAXXIS Mammoth 26" x 4.00"	CONTINENTAL Speed Ride 700 x 42c
PEDALS	HT-PA12	-
HANDLEBAR	AG Lab alloy 25 mm 740 mm	AUTHOR 460 / 480 mm
GRIPS / TAPES	AG Lab GripLock	AUTHOR suede / gel
STEM	AG Lab alloy	AUTHOR
SEAT POST	AG Lab alloy (31.6)	AUTHOR (27.2)
SEAT CLAMP	AG Lab (34.9)	AUTHOR (28.6)
SADDLE	AUTHOR Patriot	AUTHOR Patriot
SPEED	20	20
WEIGHT	16,5 kg / 19"	11,8 kg / 56 cm



	S/T c-t	T/T h	T/Ta	H/T	C/S	W/B	S/T ang.	H/T ang.	F/L	B/B drop	B/B width	F/R
SU-MO * - 1 1/8"												
M [17"]	432	605	580	130	440	1120	73.0	69.0	470	68**	100	51
L [19"]	483	625	595	140	440	1140	73.0	69.0	470	68**	100	51
XL [21"]	533	640	610	140	440	1155	73.0	69.0	470	68**	100	51



	S/T c-t	S/T c-c	T/T h	T/T a	H/T	C/S	W/B	S/T ang.	H/T ang.	F/L	B/B drop	B/B width	F/R
RONIN													
480	480	440	515	500	110	425	999	74.5	70.75	408	65	68**	45
500	500	460	528	515	110	425	1012	74.5	70.75	408	65	68**	45
520	520	480	538	526	120	425	1021	74.5	71.0	408	65	68**	45
540	540	500	545	532	135	425	1023	74.0	71.0	408	65	68**	45
560	560	520	560	547	145	425	1028	73.5	71.5	408	65	68**	45
580	580	540	570	558	155	425	1033	73.0	71.5	408	65	68**	45

* - 1 1/8" semiintegrated head set PF 50 mm
 B/B width 68** - Euro

GOMETRY TABLE LEGEND:

- S/T c-t - seat tube (center-top)
- S/T c-c - seat tube (center-center)
- T/T h - top tube horizontal
- H/T - head tube
- C/S - chain stay
- W/B - wheel base
- S/T ang. - seat tube angle
- H/T ang. - head tube angle
- F/L - fork length
- B/B drop - bottom bracket drop
- B/B width - bottom bracket width
- F/R - fork rake

Recommended frame size to the body height for each model you can find on our web site www.author.eu



ADVENTURE

ADVENTURE



FOTO: Jiri Fikejz



ROAD



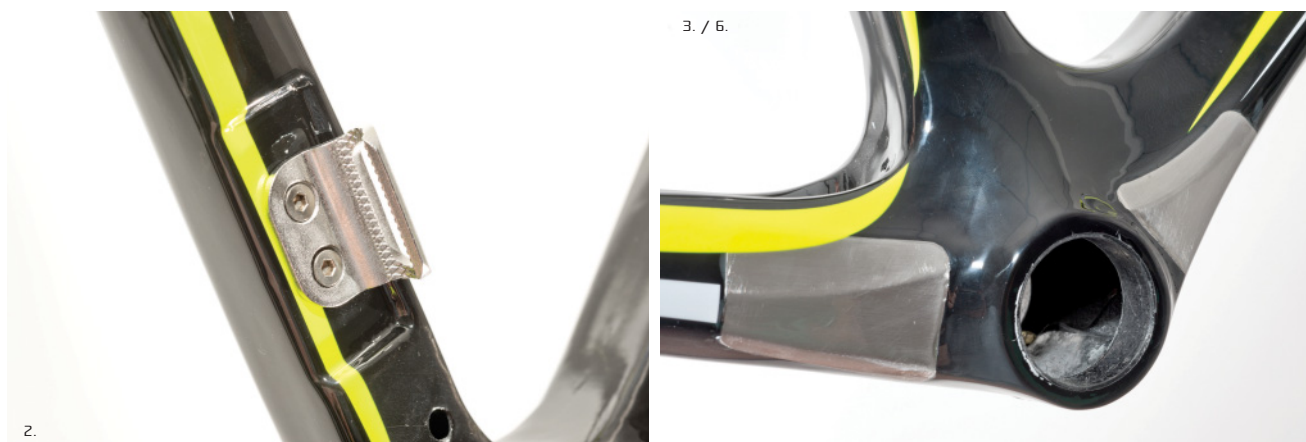
AUTHOR CARBON ROAD

CHARISMA

For model year 2016 we are going to use our 3rd generation of AUTHOR carbon road frame's platform. We will use it for models CHARISMA 77, 66 and CHARISMA 55 in different strength and quality carbon material levels.

Frame's Structural Elements

1. inner cable routing for both derailleurs and rear brake (ICR – Inner Cable Routing)
2. braze on type of direct FD mount
3. 86,5 mm BB shell compatible with SHIMANO standard PF SM-BB91-41
4. possibility of mounting the SHIMANO Di2 battery either to the chain stay bottom edge or into the seat post
5. the conical head tube compatible with the 1,5" fork's tapered steerer tube for Drop In head sets
6. application of the stainless steel stickers directly to the frame's side wall on the chain stay and down tube to protect the frame tubes from chain's falling of the chainwheels
7. aerodynamically shaped front fork



Starting from model year 2015 we have decided to rename sizing of our carbon road frames from S/T c-c into S/T c-t. The size will mean length of the seat tube measured from BB center into S/T top. We will be starting on the size of 52 cm and ends up on 62cm, so, our frame size line up will be measured and stated as most of the other brands. More about this change in the chart below.

CHARISMA 52

	S/T c-t	S/T c-c	T/T h	T/T a	H/T	C/S	W/B	S/T ang.	H/T ang.	F/L	B/B drop	B/B width	F/R
520	= 520	← 480	550	543	110	410	977	73.0	73.3	365	67	86.5	43

AUTHOR ALLOY ROAD

AURA

Alloy frame for affordable road models has from it's birth remade geometry compare to it's predecessor, which goal was to satisfy beginners and semiadvanced road riders. To get the lowest frame's weight we will use on all AURA models triple butted alloy 6061 material.

Frame's Structural Elements

1. the conical head tube compatible with the 1,5" fork's tapered steerer tube for Drop In head sets
2. noticeable front triangle's slopping
3. aerodynamically shaped front fork
4. model AURA 55 has fully carbon front fork, which means that steerer tube as well as the fork legs are composite



We offer this frame's platform in 6 sizes: 480, 500, 520, 540, 560 and 580 mm. Also here the frame size means length of the seat tube measured from BB center into S/T top.

AURA DISC

For model year 2016 we are coming with the modification of AURA's frame platform. This new upgraded version will be ready for road disc brakes and we will call it AURA DISC. Frame's geometry, which is made to satisfy beginners and semiadvanced road riders, will remain the same as AURA's as well as frame sizes. But from now on customers will be able to use hydraulic road brakes on AURA 55 DISC or mechanical disc brakes on AURA 44 DISC model.

Frame's Structural Elements

1. Shimano disc flat mount standard interface on left chain stay
2. the conical head tube compatible with the 1,5" fork's tapered steerer tube for Drop In head sets
3. rear brake housing guided on down tube's bottom side
4. noticeable front triangle's slopping
5. aerodynamically shaped front fork

We offer this AURA DISC frame's platform in 6 sizes: 480, 500, 520, 540, 560 and 580 mm. Also here the frame size means length of the seat tube measured from BB center into S/T top.





| CHARISMA 77 |

FRAME	Author A carbon monocoque
FORK	Author A carbon monocoque
CHAINWHEEL	SHIMANO Dura Ace (53-39 teeth), BB unit
REAR DERAILLEUR	Shimano Dura Ace
SHIFTERS	Shimano Dura Ace, 22 speed

BRAKES	Shimano Dura Ace
WHEEL SET	Mavic Cosmic Carbone SL WTS 23
TIRES	Mavic Yksion Pro kevlar 700 x 23c
COLOR	Carbon / White / Neon Yellow
COLOR	



| CHARISMA 66 |

FRAME	Author B carbon monocoque
FORK	Author B carbon monocoque
CHAINWHEEL	Shimano Ultegra (52-36 teeth), BB unit
REAR DERAILLEUR	Shimano Ultegra
SHIFTERS	Shimano Ultegra, 22 speed

BRAKES	Shimano Ultegra
WHEEL SET	Mavic Ksyrium Elite WTS 25
FRONT TIRE	Mavic Yksion Pro Griplink kevlar 700 x 25c
REAR TIRE	Mavic Yksion Powerlink kevlar 700 x 25c
COLOR	Carbon / Extreme White / Author Red



CERTIFICATED



WHEEL SET

SHIMANO
2x11

| CHARISMA 55 |

FRAME	Author B carbon monocoque	BRAKES	Shimano 105
FORK	Author C carbon monocoque	WHEEL SET	Mavic Ksyrium
CHAINWHEEL	Shimano 105 Compact (50-34 teeth), BB unit	TIRES	Vittoria Zaffiro Pro kevlar 700 x 25c
REAR DERAILLEUR	Shimano 105	COLOR	Carbon / Extreme White / Caribbean Green
SHIFTERS	Shimano 105, 22 speed		



WHEEL SET

SHIMANO
2x11

| AURA 55 DISC |

FRAME	triple butted alloy 6061	BRAKES	Shimano RS505 (140mm)
FORK	alloy	WHEEL SET	Mavic Aksium Disc
CHAINWHEEL	FSA Gossamer Compact MegaExo (50-34 teeth), BB unit	TIRES	Vittoria Zaffiro Pro kevlar 700 x 25c
REAR DERAILLEUR	Shimano 105	COLOR	Extreme White / Ultegra Grey
SHIFTERS	Shimano 105, 22 speed		





MAVIC
WHEEL SET

SHIMANO
2x11

| AURA 55 |

FRAME	triple butted alloy 6061	BRAKES	Tektro R540
FORK	Author C carbon	WHEEL SET	Mavic Aksium
CHAINWHEEL	FSA Gossamer Compact MegaExo (50-34 teeth), BB unit	TIRES	Vittoria Zaffiro Pro kevlar 700 x 25c
REAR DERAILLEUR	Shimano 105	COLOR	Phantom Black / Caribbean Green
SHIFTERS	Shimano 105, 22 speed		



| AURA 44 DISC |

FRAME	triple butted alloy 6061	SHIFTERS	Shimano Tiagra, 20 speed
FORK	alloy	BRAKES	TRP Spyre (160mm)
CHAINWHEEL	Shimano Tiagra Compact (50-34 teeth), BB unit	TIRES	Vittoria Zaffiro Pro kevlar 700 x 25c
REAR DERAILLEUR	Shimano Tiagra	COLOR	Phantom Black / Racing Red



| AURA 33 |

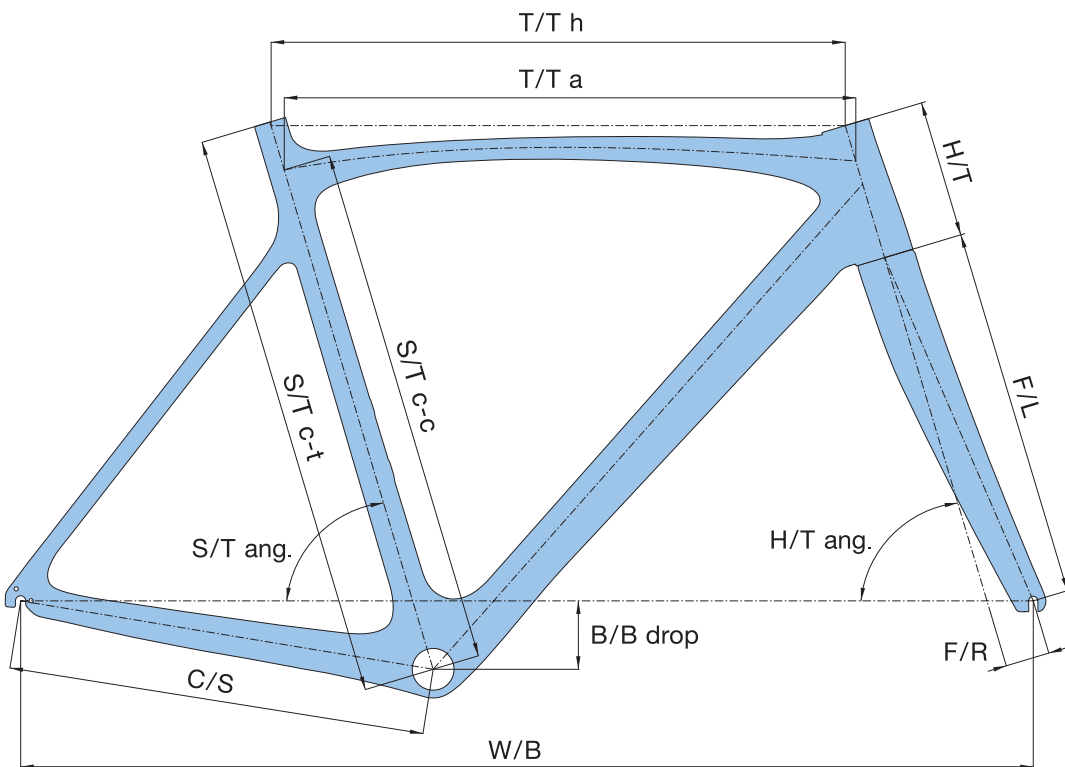
FRAME	triple butted alloy 6061	SHIFTERS	Shimano Sora, 18 speed
FORK	Author alloy	BRAKES	Tekro R325
CHAINWHEEL	Prowheel Dounce Compact (50-34 teeth)	TIRES	Vittoria Zaffiro 700 x 28c
REAR DERAILLEUR	Shimano Sora	COLOR	Extreme White / Grande Azzuro



| AURA 22 |

FRAME	triple butted alloy 6061	SHIFTERS	Shimano A070, 21 speed
FORK	Author alloy	BRAKES	Tekro R325
CHAINWHEEL	Prowheel Solid (52-42-30 teeth)	TIRES	Vittoria Zaffiro 700 x 28c
REAR DERAILLEUR	Shimano A070	COLOR	Matte Temple Grey / Racing Red

MODEL	CHARISMA 77	CHARISMA 66	CHARISMA 55	AURA 55 DISC	AURA 55	AURA 44 DISC	AURA 33	AURA 22
SIZE	520, 540, 560, 580, 600, 620 mm	520, 540, 560, 580, 600, 620 mm	520, 540, 560, 580, 600, 620 mm	480, 500, 520, 540, 560, 580 mm	480, 500, 520, 540, 560, 580 mm	480, 500, 520, 540, 560, 580 mm	480, 500, 520, 540, 560, 580 mm	480, 500, 520, 540, 560, 580 mm
FRAME	AUTHOR A carbon monocoque	AUTHOR B carbon monocoque	AUTHOR B carbon monocoque	triple butted alloy 6061	triple butted alloy 6061	triple butted alloy 6061	triple butted alloy 6061	triple butted alloy 6061
FRONT FORK	AUTHOR A carbon monocoque 1.5" tapered	AUTHOR B carbon monocoque 1.5" tapered	AUTHOR C carbon monocoque 1.5" tapered	AUTHOR alloy 1.5" tapered	AUTHOR C carbon 1.5" tapered	AUTHOR alloy 1.5" tapered	AUTHOR alloy 1.5" tapered	AUTHOR alloy 1.5" tapered
HEAD PARTS	FSA Orbit C-40 1.5" tapered	FSA Orbit C-40 1.5" tapered	FSA Orbit C-40 1.5" tapered	PRESTINE Integrated 1.5" tapered	PRESTINE Integrated 1.5" tapered	PRESTINE Integrated 1.5" tapered	PRESTINE Integrated 1.5" tapered	PRESTINE Integrated 1.5" tapered
CHAINWHEEL	SHIMANO Dura Ace 53-39 teeth 170 / 172.5 / 175 / 177.5 mm cranks	SHIMANO Ultegra 52-36 teeth 170 / 172.5 / 175 mm cranks	SHIMANO 105 Compact 50-34 teeth 170 / 172.5 / 175 mm cranks	FSA Gossamer Compact MegaExo 50-34 teeth 170 / 172.5 / 175 mm cranks	FSA Gossamer Compact MegaExo 50-34 teeth 170 / 172.5 / 175 mm cranks	SHIMANO Tiagra Compact 50-34 teeth 170 / 172.5 / 175 mm cranks	PROWHEEL Dounce Compact 50-34 teeth 170 / 172.5 / 175 mm cranks	PROWHEEL SOLID 52-42-30 teeth 170 / 172.5 / 175 mm cranks
B.B. PARTS	SHIMANO Dura Ace BB unit	SHIMANO Ultegra BB unit	SHIMANO 105 BB unit	SHIMANO 105 BB unit	FSA MegaExo	SHIMANO Tiagra BB unit	SHIMANO UN100	SHIMANO UN100
FRONT DERAILLEUR	SHIMANO Dura Ace	SHIMANO Ultegra	SHIMANO 105	SHIMANO 105 (31.8)	SHIMANO 105 (31.8)	SHIMANO Tiagra (31.8)	SHIMANO Sora (31.8)	SHIMANO A070 (31.8)
REAR DERAILLEUR	SHIMANO Dura Ace	SHIMANO Ultegra	SHIMANO 105	SHIMANO 105	SHIMANO 105	SHIMANO Tiagra	SHIMANO Sora	SHIMANO A070
SHIFTERS	SHIMANO Dura Ace (22)	SHIMANO Ultegra (22)	SHIMANO 105 (22)	SHIMANO 105 (22)	SHIMANO 105 (22)	SHIMANO Tigra (20)	SHIMANO Sora (18)	SHIMANO (21)
FREEWHEEL	SHIMANO CS-9000 11-25 (11)	SHIMANO CS-6800 11-28 (11)	SHIMANO CS-5800 11-28 (11)	SHIMANO CS-5800 11-28 (11)	SHIMANO CS-5800 11-28 (11)	SHIMANO HG500-10 11-32 (10)	SHIMANO HG400-9 11-32 (9)	SHIMANO HG20-7 12-28 (7)
CHAIN	SHIMANO HG9000	SHIMANO HG700	SHIMANO HG600	SHIMANO HG600	SHIMANO HG600	SHIMANO HG54	SHIMANO HG53	KMC Z51
HUBS	MAVIC Cosmic Carbone SL WTS 23 wheel set 16 / 20 holes	MAVIC Ksyrium Elite 25 WTS wheel set 18 / 20 holes	MAVIC Ksyrium wheel set 20 / 20 holes	MAVIC Aksium Disc wheel set 24 / 24 holes	MAVIC Aksium Elite wheel set 20 / 20 holes	QUANDO Road Disc 32 holes	QUANDO Road 32 holes	QUANDO Road 32 holes
BRAKES	SHIMANO Dura Ace	SHIMANO Ultegra	SHIMANO 105	SHIMANO RS505 disc hydraulic (140 mm rotors)	TEKTRO R540	TRP Spyre disc mechanical (160 mm rotors)	TEKTRO R325	TEKTRO R325
BRAKE LEVERS	SHIMANO Dura Ace	SHIMANO Ultegra	SHIMANO 105	SHIMANO RS505	SHIMANO 105	SHIMANO Tiagra	SHIMANO Sora	SHIMANO
RIMS	MAVIC Cosmic Carbone SL WTS 23 wheel set 16 / 20 holes	MAVIC Ksyrium Elite 25 WTS wheel set 18 / 20 holes	MAVIC Ksyrium wheel set 20 / 20 holes	MAVIC Aksium Disc wheel set 24 / 24 holes	MAVIC Aksium Elite wheel set 20 / 20 holes	JALCO DRX 27 32 holes	JALCO DRX 27 32 holes	JALCO DRX 27 32 holes
SPOKES	MAVIC	MAVIC	MAVIC	MAVIC	MAVIC	black stainless steel 2.0 mm	black stainless steel 2.0 mm	black stainless steel 2.0 mm
TIRES	MAVIC Yksion Pro kevlar 700 x 23c	MAVIC Yksion Pro Griplink MAVIC Yksion Pro Powerlink kevlar 700 x 25c	VITTORIA Zaffiro Pro kevlar 700 x 25c	VITTORIA Zaffiro Pro kevlar 700 x 25c	VITTORIA Zaffiro Pro kevlar 700 x 25c	VITTORIA Zaffiro Pro kevlar 700 x 25c	VITTORIA Zaffiro 700 x 28c	VITTORIA Zaffiro 700 x 28c
PEDALS	-	-	-	-	-	-	-	-
HANDLEBAR	RITCHEY SL Road Evo Curve carbon 420 / 440 mm	RITCHEY Stream II WCS Road 420 / 440 mm	RITCHEY Stream II Comp Road 420 / 440 mm	RITCHEY Stream II Comp Road 420 / 440 mm	RITCHEY Stream II Comp Road 420 / 440 mm	AUTHOR 440 / 460 mm	AUTHOR 440 / 460 mm	AUTHOR 440 / 460 mm
TAPES	AUTHOR microfiber / gel	AUTHOR microfiber / gel	AUTHOR microfiber / gel	AUTHOR microfiber / gel	AUTHOR microfiber / gel	AUTHOR suede / gel	AUTHOR suede / gel	AUTHOR suede / gel
STEM	RITCHEY WCS 4-Axis carbon	RITCHEY WCS 4-Axis 44	RITCHEY Comp 4-Axis	RITCHEY Comp 4-Axis	RITCHEY Comp 4-Axis	AUTHOR	AUTHOR	AUTHOR
SEAT POST	RITCHEY SL 1B carbon (27.2)	RITCHEY SL 1B carbon (27.2)	RITCHEY Comp Carbon (27.2)	RITCHEY Comp Carbon (27.2)	RITCHEY Comp Carbon (27.2)	AUTHOR (27.2)	AUTHOR (27.2)	AUTHOR (27.2)
SEAT CLAMP	AUTHOR (31.8)	AUTHOR (31.8)	AUTHOR (31.8)	AUTHOR (31.8)	AUTHOR (31.8)	AUTHOR (31.8)	AUTHOR (31.8)	AUTHOR (31.8)
SADDLE	FIZIK Arione R3	FIZIK Antares R7	FIZIK Antares R7	AUTHOR Aura	AUTHOR Aura CR	AUTHOR Aura	AUTHOR Aura	AUTHOR Aura
SPEED	22	22	22	22	22	20	18	21
WEIGHT	6,9 kg / 58 cm	7,5 kg / 58 cm	7,9 kg / 58 cm	9,3 kg / 54 cm	8,4 kg / 54 cm	9,9 kg / 54 cm	9,9 kg / 54 cm	10,9 kg / 54 cm



	S/T c-t	S/T c-c	T/T h	T/T a	H/T	C/S	W/B	S/T ang.	H/T ang.	F/L	B/B drop	B/B width	F/R
CHARISMA 77 * T 1,5" DI													
540	540	488	550	544	120	410	979	73.3	73.3	365	67	86.5	43
560	560	511	563	560	135	410	993	73.4	73.4	365	67	86.5	43
580	578	540	574	574	155	410	995	73.0	74.0	365	64	86.5	43
600	600	550	585	582	175	410	1005	73.0	74.0	365	64	86.5	43
CHARISMA 66 * T 1,5" DI / CHARISMA 55 * T 1,5" DI													
520	520	480	550	543	110	410	977	73.0	73.3	365	67	86.5	43
540	540	488	550	544	120	410	979	73.3	73.3	365	67	86.5	43
560	560	511	563	560	135	410	993	73.4	73.4	365	67	86.5	43
580	578	540	574	574	155	410	995	73.0	74.0	365	64	86.5	43
600	600	550	585	582	175	410	1005	73.0	74.0	365	64	86.5	43
620	620	580	591	590	195	410	1011	73.0	74.0	365	64	86.5	43
AURA 55 DISC * T 1,5" DI / AURA 44 DISC * T 1,5" DI													
480	480	440	525	512	125	425	998	74,5	71,5	373	72	68	45
500	500	460	532	519	140	425	1000	74,2	71,8	373	71	68	45
520	520	480	542	529	155	425	1005	74,0	72,2	373	70	68	45
540	540	500	556	543	170	425	1014	73,7	72,5	373	70	68	45
560	560	520	570	556	185	425	1021	73,3	72,8	373	69	68	45
580	580	540	583	570	200	425	1029	73,0	73,0	373	68	68	45
AURA 55 * T 1,5" DI / AURA 33 * T 1,5" DI / AURA 22 * T 1,5" DI													
480	480	440	525	512	125	410	982	74.5	71.5	370	72	68	45
500	500	460	532	519	140	410	985	74.2	71.8	370	71	68	45
520	520	480	542	529	155	410	990	74.0	72.2	370	70	68	45
540	540	500	556	543	170	410	998	73.7	72.5	370	70	68	45
560	560	520	570	556	185	410	1006	73.3	72.8	370	69	68	45
580	580	540	583	570	200	410	1014	73.0	73.0	370	68	68	45

* t 1,5" DI - integrated head set 1,5" tapered DI

DI - Drop In

GEOMETRY TABLE LEGEND:

- S/T c-t - seat tube [center-top]
- S/T c-c - seat tube [center-center]
- T/T h - top tube horizontal
- T/T a - top tube actual
- H/T - head tube
- C/S - chain stay
- W/B - wheel base
- S/T ang. - seat tube angle
- H/T ang. - head tube angle
- F/L - fork length
- B/B drop - bottom bracket drop
- B/B width - bottom bracket width
- F/R - fork rake

Recommended frame size to the body height for each model you can find on our web site www.author.eu

ROAD

R

A

K

M



MTB 29

2016

MTB

29

2016



COLLECTION 2016



AUTHOR CARBON MTB 29"

A hard tail carbon frame designated specifically for the 29" wheels is made again using the AUTHOR MONOCOQUE CARBON TECHNOLOGY. It is therefore the connection of front triangle with chain and seat stay to form a single-piece frame monocoque.

Frame's Structural Elements

1. direct Post Mount (PM) interface on the rear chain stay ready for 6" rotor
2. rear stay drop outs ready for thru axle 12x142 mm
3. the conical head tube compatible with the 1,5" fork's tapered steerer tube
4. Inner Cable Routing (ICR) for both derailleurs led through the top frame tube
5. application of the stainless steel stickers on the chain stay and down tube



Models MAGNUM 29, SECTOR 29, REVOLT 29 and MODUS 29 are offered in 3 sizes: 17, 19 and 21".

AUTHOR ALLOY MTB 29"

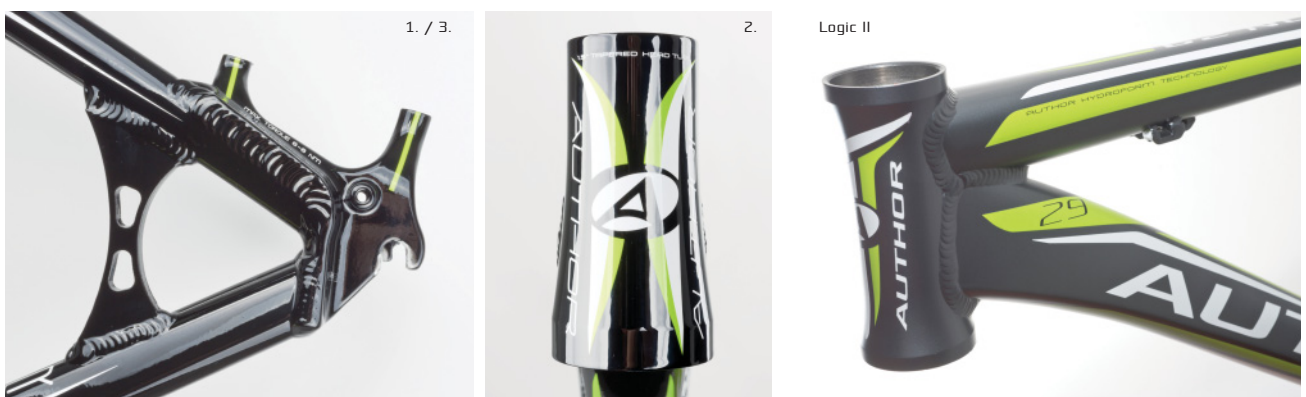
For model year 2016 we are expanding the offer of alloy 29" frames into 6 models – VISION 29, INSTINCT 29, TRACTION 29, SPIRIT 29, SOLUTION 29 and IMPULSE 29 in 3 sizes: 17, 19 and 21".

Above mentioned bikes are modifications of original AUTHOR 26" models adjusted for the 29" wheel size with specific frame geometry.

Models VISION 29, INSTINCT 29, TRACTION 29 and SPIRIT 29 have alloy frame which is bow shaped and came up as an alloy replica of our 27,5" MTB carbon frame.

Frame's Structural Elements

1. direct Post Mount (PM) interface on the left seat ready for 6" rotor
2. the conical head tube compatible with the 1,5" fork's tapered steerer tube
3. reinforcement gusset between chain and seat stay



Models SOLUTION 29 and IMPULSE 29 have from model year 2015 new alloy, so called LOGIC II frame with it's own hydroformed shape (molds for top and down tube) and geometry, which is specifically tuned according to the wheel size, gender and use.



SHIMANO
2 x 11



| MAGNUM 29 |

FRAME	Author A carbon monocoque 29"
FORK	Fox 32 Float 29 Performance, 15 mm axle, 1.5" tapered (100 mm travel)
CHAINWHEEL	Shimano XT (38-28 teeth), BB unit
REAR DERAILLEUR	Shimano XT "clutch"
SHIFTERS	Shimano XT, 22 speed

BRAKES	Shimano XT (6")
WHEEL SET	Mavic Crossmax SL Pro 29 UST
TIRES	Vittoria Barzo kevlar TNT 29" x 2.10"
COLOR	Carbon / Neon Yellow



SHIMANO
2 x 11



| SECTOR 29 |

FRAME	Author B carbon monocoque 29"
FORK	Fox 32 Float 29 Performance, 15 mm axle, 1.5" tapered (100 mm travel)
CHAINWHEEL	Shimano XT (38-28 teeth), BB unit
REAR DERAILLEUR	Shimano XT "clutch"
SHIFTERS	Shimano XT, 22 speed

BRAKES	Shimano XT (6")
WHEEL SET	Mavic Crossride Light 29
TIRES	Vittoria Barzo kevlar 29" x 2.10"
COLOR	Carbon / Racing Red





SHIMANO
2x10



| REVOLT 29 |

FRAME	Author C carbon monocoque 29"
FORK	Rock Shox Recon Gold TK 29 15 Solo Air, 15 mm axle, 1.5" tapered (100 mm travel)
CHAINWHEEL	Shimano Deore (38-24 teeth), BB unit
REAR DERAILLEUR	Shimano XT "clutch"

SHIFTERS	Shimano SLX, 20 speed
BRAKES	Shimano Deore (7")
TIRES	Vittoria Barzo kevlar 29" x 2.10"
COLOR	Carbon / Caribbean Green



| MODUS 29 |

FRAME	Author C carbon monocoque 29"
FORK	RST FIRST 29 15 TRL, 15 mm axle, 1.5" tapered (100 mm travel)
CHAINWHEEL	Shimano Alivio (40-30-22 teeth), BB unit
REAR DERAILLEUR	Shimano Deore

SHIFTERS	Shimano Alivio, 27 speed
BRAKES	Tektro Gemini (7")
TIRES	Vittoria Barzo kevlar 29" x 2.10"
COLOR	Carbon / Mandarine

SHIMANO
2x10



| VISION 29 |

FRAME	triple butted hydroformed alloy 6061 29"
FORK	Rock Shox Recon Gold TK 29 15 Solo Air, 15 mm axle, 1.5" tapered (100 mm travel)
CHAINWHEEL	Shimano Deore (38-24 teeth), BB unit
REAR DERAILLEUR	Shimano XT "clutch"

SHIFTERS	Shimano SLX, 20 speed
BRAKES	Shimano Deore (7")
TIRES	Vittoria Barzo kevlar 29" x 2.10"
COLOR	Phantom Black / Racing Red

SHIMANO
3x10



| INSTINCT 29 |

FRAME	double butted hydroformed alloy 6061 29"
FORK	RST F1RST 29 15 (100 mm travel)
CHAINWHEEL	Shimano Deore (40-30-22 teeth), BB unit
REAR DERAILLEUR	Shimano XT

SHIFTERS	Shimano Deore, 300 speed
BRAKES	Shimano Alivio (7")
TIRES	Vittoria Barzo kevlar 29" x 2.10"
COLOR	Matte Treasure Silver / Kawa Green





| TRACTION 29 |

FRAME	double butted hydroformed alloy 6061 29"
FORK	RST Aerial 29 TnL (100 mm travel)
CHAINWHEEL	Shimano Alivio (40-30-22 teeth), BB unit
REAR DERAILLEUR	Shimano Deore

SHIFTERS	Shimano Alivio, 27 speed
BRAKES	Tektro Gemini (7")
TIRES	Vittoria Barzo 29" x 2.10"
COLOR	Matte Phantom Black / Neon Yellow



| SPIRIT 29 |

FRAME	hydroformed alloy 6061 29"
FORK	RST Blaze 29 TnL (100 mm travel)
CHAINWHEEL	Shimano (40-30-22 teeth)
REAR DERAILLEUR	Shimano Alivio

SHIFTERS	Shimano Alivio, 27 speed
BRAKES	Tektro Auriga (7")
TIRES	Author Rocket 29" x 2.10"
COLOR	Matte Treasure Silver / Caribbean Green



| SOLUTION 29 [A] |

FRAME	alloy 6061 29"	SHIFTERS	Shimano Acera, 24 speed
FORK	RST Blaze 29 ML (100 mm travel)	BRAKES	Tektro Auriga (7")
CHAINWHEEL	Suntour XCT (42-32-22 teeth)	TIRES	Author Rocket 29" x 2.10"
REAR DERAILEUR	Shimano Acera	COLOR A	Matte Extreme White / Author Red / Phantom Black



| SOLUTION 29 [B] |

FRAME	alloy 6061 29"	SHIFTERS	Shimano Acera, 24 speed
FORK	RST Blaze 29 ML (100 mm travel)	BRAKES	Tektro Auriga (7")
CHAINWHEEL	Suntour XCT (42-32-22 teeth)	TIRES	Author Rocket 29" x 2.10"
REAR DERAILEUR	Shimano Acera	COLOR B	Grande Azzuro / Canary Yellow / Phantom Black



| IMPULSE 29 [A] |

FRAME	alloy 6061 29"	SHIFTERS	Shimano Altus, 21 speed
FORK	RST Blaze 29 ML (100 mm travel)	BRAKES	Tektro Auriga (7")
CHAINWHEEL	Prowheel (42-32-22 teeth)	TIRES	Author Rocket 29" x 2.10"
REAR DERAILLEUR	Shimano Altus	COLOR A	Phantom Black / Caribbean Green

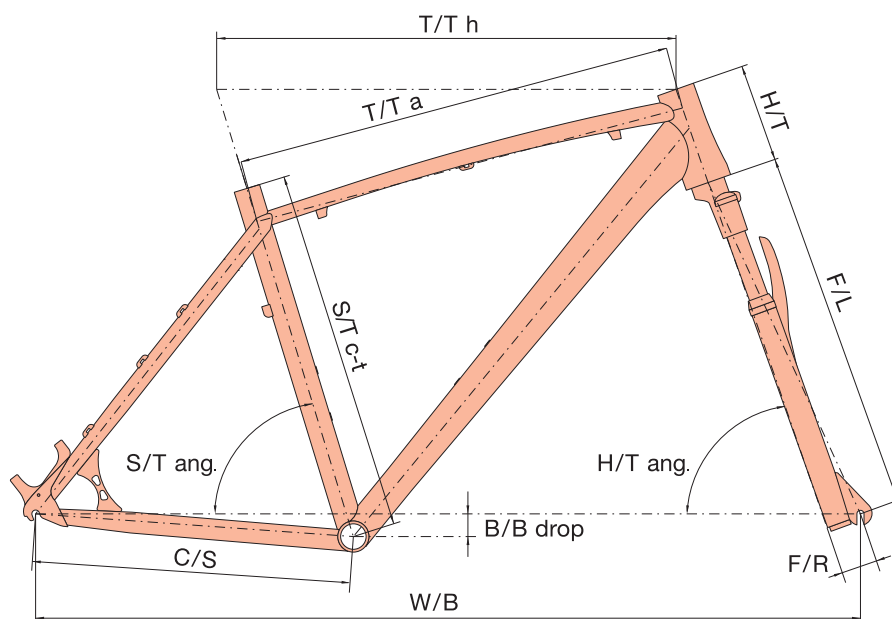
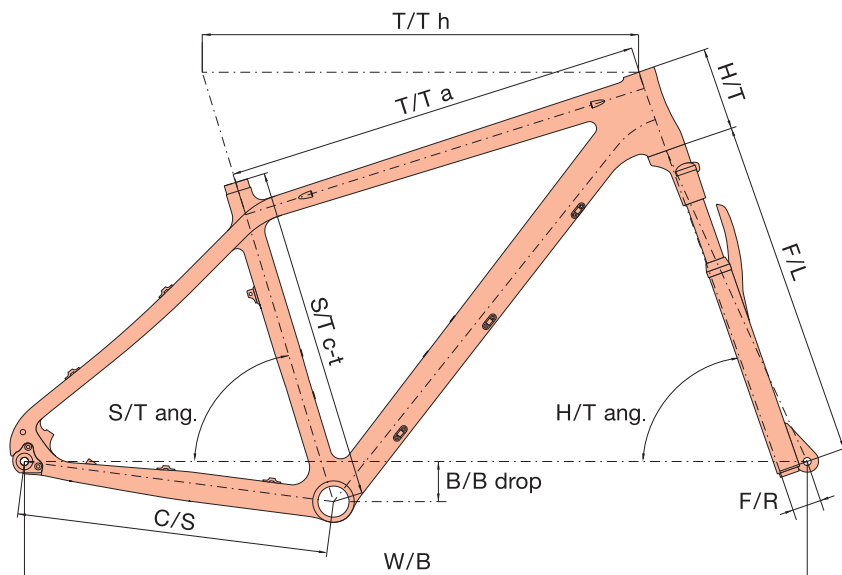


| IMPULSE 29 [B] |

FRAME	alloy 6061 29"	SHIFTERS	Shimano Altus, 21 speed
FORK	RST Blaze 29 ML (100 mm travel)	BRAKES	Tektro Auriga (7")
CHAINWHEEL	Prowheel (42-32-22 teeth)	TIRES	Author Rocket 29" x 2.10"
REAR DERAILLEUR	Shimano Altus	COLOR B	Matte Treasure Silver / Racing Red

MODEL	MAGNUM 29	SECTOR 29	REVOLT 29	MODUS 29	VISION 29
SIZE	17", 19", 21"	17", 19", 21"	17", 19", 21"	17", 19", 21"	17", 19", 21"
FRAME	AUTHOR A carbon monocoque 29"	AUTHOR B carbon monocoque 29"	AUTHOR C carbon monocoque 29"	AUTHOR C carbon monocoque 29"	triple butted hydroformed alloy 6061 29"
FRONT FORK	FOX 32 Float 29 Performance air, remote lock out 15 mm thru axle 1.5" tapered steerer (100 mm)	FOX 32 Float 29 Performance air, remote lock out 15 mm thru axle 1.5" tapered steerer (100 mm)	ROCK SHOX Recon Gold TK 29 15 Solo Air air, remote lock out 15 mm thru axle 1.5" tapered steerer (100 mm)	RST FIRST 29 15 TRL air, remote lock out 15 mm thru axle 1.5" tapered steerer (100 mm)	ROCK SHOX Recon Gold TK 29 15 Solo Air air, remote lock out 15 mm thru axle 1.5" tapered steerer (100 mm)
HEAD PARTS	AUTHOR Integrated 1.5" tapered	AUTHOR Integrated 1.5" tapered	AUTHOR Integrated 1.5" tapered	AUTHOR Integrated 1.5" tapered	AUTHOR Integrated 1.5" tapered
CHAINWHEEL	SHIMANO XT 38-28 teeth 175 mm cranks	SHIMANO XT 38-28 teeth 170 / 175 mm cranks	SHIMANO Deore 38-24 teeth 170 / 175 mm cranks	SHIMANO Alivio 40-30-22 teeth 170 / 175 mm cranks	SHIMANO Deore 38-24 teeth 170 / 175 mm cranks
B.B. PARTS	SHIMANO BB MT800 BB unit	SHIMANO BB MT800 BB unit	SHIMANO BB52 BB unit	SHIMANO BB52 BB unit	SHIMANO BB52 BB unit
FRONT DERAILLEUR	SHIMANO XT (34.9)	SHIMANO XT (34.9)	SHIMANO SLX (34.9)	SHIMANO Alivio (34.9)	SHIMANO SLX (34.9)
REAR DERAILLEUR	SHIMANO XT "clutch"	SHIMANO XT "clutch"	SHIMANO XT "clutch"	SHIMANO Deore	SHIMANO XT "clutch"
SHIFTERS	SHIMANO XT (22)	SHIMANO XT (22)	SHIMANO SLX (20)	SHIMANO Alivio (27)	SHIMANO SLX (20)
FREEWHEEL	SHIMANO XT 11-40 (11)	SHIMANO XT 11-40 (11)	SHIMANO HG50-10 11-36 (10)	SHIMANO HG400-9 11-34 (9)	SHIMANO HG50-10 11-36 (10)
CHAIN	SHIMANO HG700	SHIMANO HG600	SHIMANO HG54	SHIMANO HG53	SHIMANO HG54
HUBS	MAVIC Crossmax SL Pro 29 UST wheel set 24 holes 15 x 100 mm thru front axle 12 x 142 mm thru rear axle	MAVIC Crossride Light 29 wheel set 24 holes 15 x 100 mm thru front axle 12 x 142 mm thru rear axle	AUTHOR Helium 15 / Xenon 12 15 x 100 mm thru front axle 12 x 142 mm thru rear axle 32 holes	AUTHOR Helium 15 / Xenon 12 15 x 100 mm thru front axle 12 x 142 mm thru rear axle 32 holes	AUTHOR Helium 15 / Xenon 15 x 100 mm thru front axle 32 holes
BRAKES	SHIMANO XT disc hydraulic (6" rotors)	SHIMANO XT disc hydraulic (6" rotors)	SHIMANO Deore disc hydraulic (7" rotors)	TEKTRO Gemini disc hydraulic (7" rotors)	SHIMANO Deore disc hydraulic (7" rotors)
BRAKE LEVERS	SHIMANO XT	SHIMANO XT	SHIMANO Deore	TEKTRO Gemini	SHIMANO Deore
RIMS	MAVIC Crossmax SL Pro 29 UST wheel set 24 holes	MAVIC Crossride Light 29 wheel set 24 holes	AUTHOR Krypton Pro 29 32 holes	AUTHOR Radon Pro 29 32 holes	AUTHOR Krypton Pro 29 32 holes
SPOKES	MAVIC	MAVIC	black stainless steel 2.0 mm	black stainless steel 2.0 mm	black stainless steel 2.0 mm
TIRES	VITTORIA Barzo kevlar TNT 29" x 2.10"	VITTORIA Barzo kevlar 29" x 2.10"	VITTORIA Barzo kevlar 29" x 2.10"	VITTORIA Barzo kevlar 29" x 2.10"	VITTORIA Barzo kevlar 29" x 2.10"
PEDALS	-	-	SHIMANO M520 clipless	SHIMANO M520 clipless	SHIMANO M520 clipless
HANDLEBAR	RITCHEY WCS Flat carbon 0 mm 680 mm	RITCHEY WCS Flat 0 mm 660 mm	AUTHOR Flatbar 0 mm 700 mm	AUTHOR Flatbar 0 mm 700 mm	AUTHOR Flatbar 0 mm 700 mm
GRIPS	AUTHOR Pro Lock	AUTHOR Pro Lock	AUTHOR Pro Lock	AUTHOR Pro Lock	AUTHOR Pro Lock
STEM	RITCHEY WCS 4-Axis	RITCHEY WCS 4-Axis	AUTHOR alloy	AUTHOR alloy	AUTHOR alloy
SEAT POST	RITCHEY WCS 1B carbon (31.6)	RITCHEY Comp Carbon (31.6)	AUTHOR alloy (31.6)	AUTHOR alloy (31.6)	AUTHOR alloy (31.6)
SEAT CLAMP	AUTHOR (34.9)	AUTHOR (34.9)	AUTHOR (34.9)	AUTHOR (34.9)	AUTHOR (34.9)
SADDLE	FIZIK Antares R3	AUTHOR Genius	AUTHOR Summit	AUTHOR Summit	AUTHOR Summit
SPEED	22	22	20	27	20
WEIGHT	10,5 kg / 19"	11,2 kg / 19"	12,4 kg / 19"	12,9 kg / 19"	12,9 kg / 19"

MODEL	INSTINCT 29	TRACTION 29	SPIRIT 29	SOLUTION 29	IMPULSE 29
SIZE	17", 19", 21"	17", 19", 21"	17", 19", 21"	17", 19", 21"	17", 19", 21"
FRAME	double butted hydroformed alloy 6061 29"	double butted hydroformed alloy 6061 29"	hydroformed alloy 6061 29"	alloy 6061 29"	alloy 6061 29"
FRONT FORK	RST FIRST 29 15 air, lock out (100 mm)	RST Aerial 29 TnL air, lock out (100 mm)	RST Blaze 29 TnL oil, lock out (100 mm)	RST Blaze 29 ML lock out (100 mm)	RST Blaze 29 ML lock out (100 mm)
HEAD PARTS	FSA Integrated 1.5" tapered	AUTHOR Integrated 1.5" tapered	AUTHOR Integrated 1.5" tapered	AUTHOR Integrated 1-1/8"	PRESTINE Integrated 1-1/8"
CHAINWHEEL	SHIMANO Deore 40-30-22 teeth 170 / 175 mm cranks	SHIMANO Alivio 40-30-22 teeth 170 / 175 mm cranks	SHIMANO M-4000 40-30-22 teeth 170 / 175 mm cranks	SUNTOUR XCT 42-32-22 teeth 170 / 175 mm cranks	PROWHEEL 42-32-22 teeth 170 / 175 mm cranks
B.B. PARTS	SHIMANO BB52 BB unit	SHIMANO BB52 BB unit	SHIMANO ES300 Octalink	SUNTOUR XCT cartridge	VP COMP cartridge
FRONT DERAILLEUR	SHIMANO Deore (34.9)	SHIMANO Alivio (34.9)	SHIMANO Acera (34.9)	SHIMANO M190 (34.9)	SHIMANO M190 (34.9)
REAR DERAILLEUR	SHIMANO XT	SHIMANO Deore	SHIMANO Alivio	SHIMANO Acera	SHIMANO Altus
SHIFTERS	SHIMANO Deore (30)	SHIMANO Alivio (27)	SHIMANO Alivio (27)	SHIMANO Acera (24)	SHIMANO Altus (21)
FREEWHEEL	SHIMANO HG50-10 11-36 (10)	SHIMANO HG400-9 11-34 (9)	SHIMANO HG400-9 11-34 (9)	SHIMANO HG31-8 11-32 (8)	SHIMANO HG20-7 12-32 (7)
CHAIN	SHIMANO HG54	SHIMANO HG53	KMC Z99	KMC Z72	KMC Z51
HUBS	AUTHOR Helium 15 / Xenon 15 x 100 mm thru front axle 32 holes	AUTHOR Radon 32 holes	QUANDO Disc 32 holes	QUANDO Disc 32 holes	QUANDO Disc 32 holes
BRAKES	SHIMANO Alivio disc hydraulic (7" rotors)	TEKTRO Gemini disc hydraulic (7" rotors)	TEKTRO Auriga disc hydraulic (7" rotors)	TEKTRO Auriga disc hydraulic (7" rotors)	TEKTRO Auriga disc hydraulic (7" rotors)
BRAKE LEVERS	SHIMANO Alivio	TEKTRO Gemini	TEKTRO Auriga	TEKTRO Auriga	TEKTRO Auriga
RIMS	AUTHOR Radon Pro 29 32 holes	AUTHOR Radon Pro 29 32 holes	AUTHOR Radon 29 32 holes	AUTHOR Radon 29 32 holes	AUTHOR Radon 29 32 holes
SPOKES	black stainless steel 2.0 mm	black stainless steel 2.0 mm	black steel	black steel	black steel
TIRES	VITTORIA Barzo kevlar 29" x 2.10"	VITTORIA Barzo 29" x 2.10"	AUTHOR Rocket 29" x 2.10"	AUTHOR Rocket 29" x 2.10"	AUTHOR Rocket 29" x 2.10"
PEDALS	SHIMANO M520 clipless	AUTHOR alloy	AUTHOR alloy	AUTHOR alloy / resin	resin
HANDLEBAR	AUTHOR Flatbar 0 mm 700 mm	AUTHOR Flatbar 0 mm 700 mm	AUTHOR Flatbar 0 mm 700 mm	AUTHOR Flatbar 0 mm 700 mm	AUTHOR Flatbar 0 mm 700 mm
GRIPS	AUTHOR Pro Lock	AUTHOR Pro Lock	AUTHOR high density foam	AUTHOR high density foam	AUTHOR high density foam
STEM	AUTHOR alloy	AUTHOR alloy	AUTHOR alloy	AUTHOR alloy	AUTHOR alloy
SEAT POST	AUTHOR alloy (31.6)	AUTHOR alloy (31.6)	AUTHOR alloy (31.6)	AUTHOR alloy (31.6)	AUTHOR alloy (31.6)
SEAT CLAMP	AUTHOR (34.9)	AUTHOR (34.9)	AUTHOR (34.9)	AUTHOR (34.9)	AUTHOR (34.9)
SADDLE	AUTHOR Summit	AUTHOR Summit	AUTHOR Summit	AUTHOR Courier	AUTHOR Courier
SPEED	30	27	27	24	21
WEIGHT	12,9 kg / 19"	13,9 kg / 19"	14,9 kg / 19"	14,7 kg / 19"	14,5 kg / 19"



	S/T c-t	T/T h	T/T a	H/T	C/S	W/B	S/T ang.	H/T ang.	F/L	B/B drop	B/B width	F/R
MAGNUM 29 * T 1,5" DI / SECTOR 29 * T 1,5" DI / REVOLT 29 * T 1,5" DI / MODUS 29 * T 1,5" DI												
17"	432	606	584	115	450	1112	73.0	70.0	490	58	73	42
19"	482	630	604	120	450	1130	73.0	70.5	490	58	73	42
21"	535	651	625	125	450	1146	72.5	70.5	490	58	73	42
VISION 29 * T 1,5" PF / INSTINCT 29 * T 1,5" PF / TRACTION 29 * T 1,5" PF / SPIRIT 29 * T 1,5" PF												
17"	432	606	585	115	445	1117	73.0	70.0	510	58	73	51
19"	483	631	605	120	445	1137	73.0	70.5	510	58	73	51
21"	535	651	623	125	445	1151	72.5	70.5	510	58	73	51
SOLUTION 29 * / IMPULSE 29 *												
17"	432	606	580	110	445	1099	71.7	71.0	510	61	68	51
19"	483	630	600	120	445	1123	71.7	71.0	510	61	68	51
21"	535	651	618	120	445	1138	71.0	71.0	510	61	68	51

* t 1,5" DI - integrated head set 1,5" tapered DI
 * t 1,5" PF - semiintegrated head set 1,5" tapered PF
 * - 1 1/8" semiintegrated head set PF 50 mm

DI - Drop In
 PF - Press Fit

- GEOMETRY TABLE LEGEND:**
- S/T c-t - seat tube (center-top)
 - T/T h - top tube horizontal
 - T/T a - top tube actual
 - H/T - head tube
 - C/S - chain stay
 - W/B - wheel base
 - S/T ang. - seat tube angle
 - H/T ang. - head tube angle
 - F/L - fork length
 - B/B drop - bottom bracket drop
 - B/B width - bottom bracket width
 - F/R - fork rake

Recommended frame size to the body height for each model you can find on our web site www.author.eu



MTB 29

2015

mountain

bike

2015



E-MTB 27.5

1
2
3
4
5
6
7
8



COLLECTION 2016



AUTHOR ALLOY MTB 27,5" E-BIKE

For 2016 we are offering the latest mountain e-bike 27.5" – model ELEVATION, based on our new original frame with comfortable geometry and symbiotic, built-in system SHIMANO STEPS. Our own design and frame concept represent an attractive profile that maintains functionality and solidness, with central position of the engine in 45° angle allowing better movement in an open terrain and distribution of total weight of the bike.

The frame is of course equipped with all the design elements necessary on a mountain bike. They include first of all rear thru axle with standard 12x142, the conical head tube compatible with the 1,5" fork's tapered steerer tube, threaded eye lets on down tube for bottle cage, and on the rear stay for carrier and mudguard stays. There is also an integrated platform to fix kick stand in the left drop out.

The electrical cables routing is integrated into the frame's front triangle, and battery is mounted using special adapter on the down tube.

The bike is driven by the latest generation of SHIMANO STEPS system with LCD display and remote control of four modes and walk assist feature.

The system is powered with 250W engine weighing 3.7 kg and Li-Ion battery 2.6 kg with parameters 36 V, 11.6 Ah, 418 Wh.



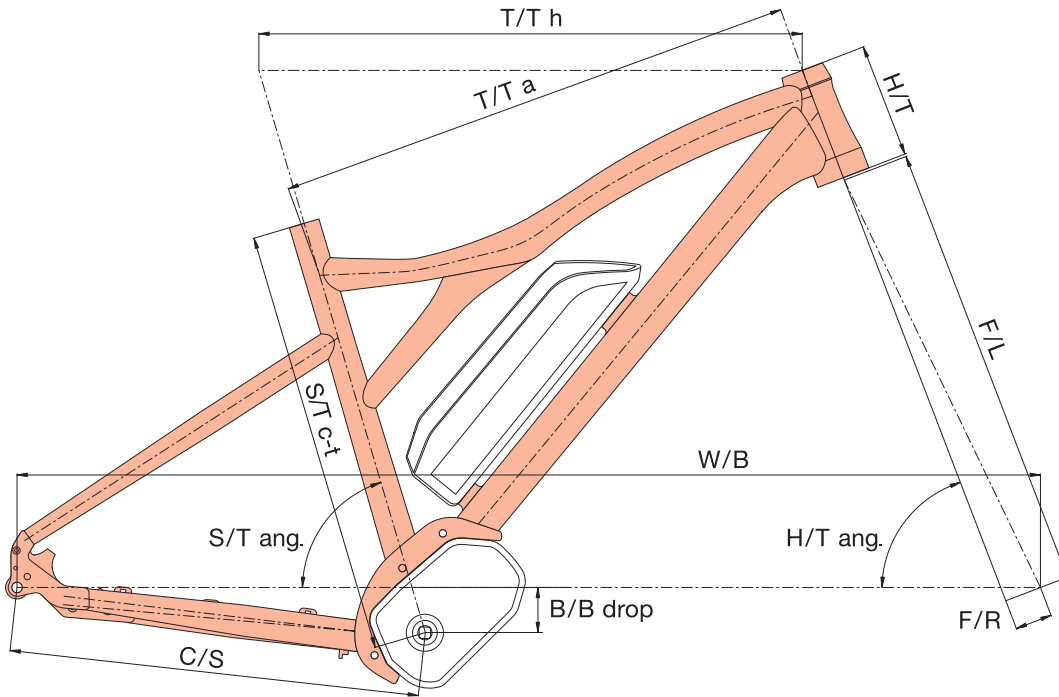
SHIMANO
1x10



| ELEVATION |

FRAME	double butted hydroformed alloy 6061 27.5"	REAR DERAILLEUR	Shimano XT
FORK	RST F1RST 27.5 15 TRL (120 mm travel)	SHIFTERS	Shimano Deore, 10 speed
CHAINWHEEL	Shimano Steps (38 teeth)	BRAKES	Shimano Alivio (7")
MOTOR	Shimano Steps 250W	TIRES	Vittoria Barzo kevlar 27.5" x 2.10"
BATTERY	SHIMANO Li-Ion 36 V, 11.6 Ah, 418 Wh	COLOR	Matte Temple Grey / Kawa Green
DISPLAY	LCD, 5 modes		





	S/T c-t	T/T h	T/T a	H/T	C/S	W/B	S/T ang.	H/T ang.	F/L	B/B drop	B/B width	F/R
ELEVATION 27.5* t 1,5" PF												
17"	432	590	570	130	465	1135	73.5	69.0	510	51	-	42
19"	483	615	595	130	465	1155	73.5	69.0	510	51	-	42
21"	535	635	610	140	465	1175	73.0	69.0	510	51	-	42

* t 1,5" PF - semiintegrated head set 1,5" tapered PF PF - Press Fit

GEOMETRY TABLE LEGEND:

- S/T c-t - seat tube (center-top)
- T/T h - top tube horizontal
- T/T a - top tube actual
- H/T - head tube
- C/S - chain stay
- W/B - wheel base
- S/T ang. - seat tube angle
- H/T ang. - head tube angle
- F/L - fork length
- B/B drop - bottom bracket drop
- B/B width - bottom bracket width
- F/R - fork rake

Recommended frame size to the body height for each model you can find on our web site www.author.eu

MODEL	ELEVATION
SIZE	17", 19", 21"
FRAME	double butted hydroformed alloy 6061 27.5"
FRONT FORK	RST F1RST 27.5 15 TRL air, remote lock out 15 mm thru axle (120 mm)
ENGINE	SHIMANO Steps 250W
BATTERY	SHIMANO Li-Ion 36 V, 11.6 Ah, 418 Wh
DISPLAY	LCD
HEAD PARTS	FSA Integrated 1,5" tapered
CHAINWHEEL	SHIMANO Steps 38 teeth 170 / 175 mm cranks
B.B. PARTS	SHIMANO Steps
FRONT DERAILLEUR	-
REAR DERAILLEUR	SHIMANO XT
SHIFTERS	SHIMANO Deore (10)
FREEWHEEL	SHIMANO HG50-10 11-36 (10)
CHAIN	SHIMANO HG54
HUBS	AUTHOR Helium 15 / Xenon 12 15 x 100 mm thru front axle 12 x 142 mm thru rear axle 32 holes
BRAKES	SHIMANO Alivio disc hydraulic (7" rotors)
BRAKE LEVERS	SHIMANO Alivio
RIMS	AUTHOR Krypton Pro 27.5 32 holes
SPOKES	black stainless steel 2.0 mm
TIRES	VITTORIA Barzo kevlar 27.5" x 2.10"
PEDALS	-
HANDLEBAR	AUTHOR 15 mm 560 / 680 mm
GRIPS / TAPES	AUTHOR Pro Lock
STEM	AUTHOR alloy
SEAT POST	AUTHOR alloy (27.2)
SEAT CLAMP	AUTHOR (31.8)
SADDLE	AUTHOR Navigator
SPEED	10
WEIGHT	19,8 kg / 19"

MTB 27.5

1
2
3
4
5
6
7
8
9
10
11
12
13
14
15
16
17
18
19
20
21
22
23
24
25
26
27
28
29
30
31
32
33
34
35
36
37
38
39
40
41
42
43
44
45
46
47
48
49
50
51
52
53
54
55
56
57
58
59
60
61
62
63
64
65
66
67
68
69
70
71
72
73
74
75
76
77
78
79
80
81
82
83
84
85
86
87
88
89
90
91
92
93
94
95
96
97
98
99
100



AUTHOR CARBON MTB 27,5"

For model year 2015 we came with 1st generation of AUTHOR 27,5" carbon frame's platform. The bend in the top section of the frame is noticeable and the top tube smoothly merges into the seat stay. Thus it resembles a shape of a bow. It does not only have a distinctive sloping and an interesting design, but it adds more rigidity to the front triangle, too.

Frame's Structural Elements

1. direct Post Mount (PM) interface on the rear chain stay prepared for 6" rotor
2. rear stay drop outs ready for thru axle 12x142 mm
3. Inner Cable Routing (ICR) for both derailleurs led through the top frame tube
4. the conical head tube compatible with the 1,5" fork's tapered steerer tube
5. application of the stainless steel stickers on the chain stay and down tube

Models INTROVERT, SECTOR, REVOLT and MODUS are offered in 4 frame sizes: 16, 17.5, 19 and 20.5".

**AUTHOR ALLOY MTB 27,5"**

Models EGOIST, VISION, INSTINCT, TRACTION and SPIRIT have a new alloy frame which is bow shaped and came up as an alloy replica of our 27,5" MTB carbon frame.

Frame's Structural Elements

1. direct Post Mount (PM) interface on the left seat stay prepared for 6" rotor
2. the conical head tube compatible with the 1,5" fork's tapered steerer tube
3. the reinforcement gusset between chain and seat stay



Models SOLUTION, IMPULSE and RIVAL have from model year 2015 new alloy, so called LOGIC II frame with its own hydroformed shape (molds for top and down tube) and geometry, which is specifically tuned according to the wheel size, gender and use.



SHIMANO
1x11



| INTROVERT |

FRAME	Author A carbon monocoque 27.5"
FORK	Fox 32 Float 27.5 CTD Remote Q/C 100, 15 mm axle, 1.5" tapered (100 mm travel)
CHAINWHEEL	Shimano XTR (36 teeth)
REAR DERAILLEUR	Shimano XTR
SHIFTERS	Shimano XTR, 11 speed

BRAKES	Shimano XTR (6")
WHEEL SET	Mavic Crossmax SL 27.5 UST
TIRES	Vittoria Barzo kevlar TNT 27.5" x 2.10"
COLOR	Matte Carbon / Neon Yellow / Lava Grey



SHIMANO
2x11



| SECTOR |

FRAME	Author B carbon monocoque 27.5"
FORK	Fox 32 Float 27.5 Performance, 15 mm axle, 1.5" tapered (100 mm travel)
CHAINWHEEL	Shimano XT (38-28 teeth), BB unit
REAR DERAILLEUR	Shimano XT "clutch"
SHIFTERS	Shimano XT, 22 speed

BRAKES	Shimano XT (6")
WHEEL SET	Mavic Crossride Light 27.5
TIRES	Vittoria Barzo kevlar 27.5" x 2.10"
COLOR	Matte Carbon / Author Red / Lava Grey





SHIMANO
2x10



| REVOLT |

FRAME	Author C carbon monocoque 27.5"	SHIFTERS	Shimano SLX, 20 speed
FORK	Rock Shox Recon Gold TK 27 15 Solo Air, 15 mm axle, 1.5" tapered (100 mm travel)	BRAKES	Shimano Deore (6")
CHAINWHEEL	Shimano Deore (38-24 teeth), BB unit	TIRES	Vittoria Barzo kevlar 27.5" x 2.10"
REAR DERAILLEUR	Shimano XT "clutch"	COLOR	Matte Carbon / Grande Azzuro / Lava Grey



| MODUS |

FRAME	Author C carbon monocoque 27.5"	SHIFTERS	Shimano Alivio, 27 speed
FORK	RST F1RST 27.5 TRL, 1.5" tapered (100 mm travel)	BRAKES	Tektro Gemini (6")
CHAINWHEEL	Shimano Alivio (40-30-22 teeth), BB unit	TIRES	Vittoria Barzo kevlar 27.5" x 2.10"
REAR DERAILLEUR	Shimano Deore	COLOR	Matte Carbon / Caribbean Green / Lava Grey

SHIMANO
2x11



| EGOIST |

FRAME	triple butted hydroformed alloy 6061 27.5"
FORK	Fox 32 Float 27.5 Performance, 15 mm axle, 1.5" tapered (100 mm travel)
CHAINWHEEL	Shimano XT (38-28 teeth), BB unit
REAR DERAILLEUR	Shimano XT "clutch"
SHIFTERS	Shimano XT, 22 speed

BRAKES	Shimano SLX (6")
WHEEL SET	Mavic Crossride Light 27.5
TIRES	Vittoria Barzo kevlar 27.5" x 2.10"
COLOR	Matte Temple Grey / Neon Yellow / Phantom Black

SHIMANO
2x10



| VISION |

FRAME	triple butted hydroformed alloy 6061 27.5"
FORK	Rock Shox Recon Gold TK 27 15 Solo Air, 15 mm axle, 1.5" tapered (100 mm travel)
CHAINWHEEL	Shimano Deore (38-24 teeth), BB unit
REAR DERAILLEUR	Shimano XT "clutch"

SHIFTERS	Shimano SLX, 20 speed
BRAKES	Shimano Deore (6")
TIRES	Vittoria Barzo kevlar 27.5" x 2.10"
COLOR	Matte Phantom Black / Caribbean Green



SHIMANO
3x10



| INSTINCT |

FRAME	double butted hydroformed alloy 6061 27.5"	SHIFTERS	Shimano Deore, 30 speed
FORK	RST F1RST 27.5 (100 mm travel)	BRAKES	Shimano Alivio (6")
CHAINWHEEL	Shimano Deore (40-30-22 teeth), BB unit	TIRES	Vittoria Barzo kevlar 27.5" x 2.10"
REAR DERAILLEUR	Shimano XT	COLOR	Matte Phantom Black / Racing Red





| TRACTION [A] |

FRAME	double butted hydroformed alloy 6061 27.5"
FORK	RST Aerial 27.5 TnL (100 mm travel)
CHAINWHEEL	Shimano Alivio (40-30-22 teeth), BB unit
REAR DERAILLEUR	Shimano Deore

SHIFTERS	Shimano Alivio, 27 speed
BRAKES	Tektro Gemini (6")
TIRES	Vittoria Barzo 27.5" x 2.10"
COLOR A	Matte Treasure Silver / Kawa Green



| TRACTION [B] |

FRAME	double butted hydroformed alloy 6061 27.5"
FORK	RST Aerial 27.5 TnL (100 mm travel)
CHAINWHEEL	Shimano Alivio (40-30-22 teeth), BB unit
REAR DERAILLEUR	Shimano Deore

SHIFTERS	Shimano Alivio, 27 speed
BRAKES	Tektro Gemini (6")
TIRES	Vittoria Barzo 27.5" x 2.10"
COLOR B	Extreme White / Grande Azzuro / Phantom Black





| SPIRIT [A] |

FRAME	hydroformed alloy 6061 27.5"	SHIFTERS	Shimano Alivio, 27 speed
FORK	RST Blaze 27.5 TnL (100 mm travel)	BRAKES	Tektro Auriga (6")
CHAINWHEEL	Shimano (40-30-22 teeth)	TIRES	Author Rocket 27.5" x 2.10"
REAR DERAILLEUR	Shimano Alivio	COLOR A	Kongo Green / Andaman Sea / Phantom Black



| SPIRIT [B] |

FRAME	hydroformed alloy 6061 27.5"	SHIFTERS	Shimano Alivio, 27 speed
FORK	RST Blaze 27.5 TnL (100 mm travel)	BRAKES	Tektro Auriga (6")
CHAINWHEEL	Shimano (40-30-22 teeth)	TIRES	Author Rocket 27.5" x 2.10"
REAR DERAILLEUR	Shimano Alivio	COLOR B	Phantom Black / Caribbean Green



| PEGAS [A] |

FRAME	hydroformed alloy 6061 27.5"
FORK	RST Gila 27.5 ML (100 mm travel)
CHAINWHEEL	Suntour XCM (40-30-22 teeth)
REAR DERAILLEUR	Shimano Acera

SHIFTERS	Shimano Acera, 27 speed
BRAKES	Tektro Auriga (6")
TIRES	Author Rocket 27.5" x 2.10"
COLOR A	Grande Azzuro / Canary Yellow / Phantom Black



| PEGAS [B] |

FRAME	hydroformed alloy 6061 27.5"
FORK	RST Gila 27.5 ML (100 mm travel)
CHAINWHEEL	Suntour XCM (40-30-22 teeth)
REAR DERAILLEUR	Shimano Acera

SHIFTERS	Shimano Acera, 27 speed
BRAKES	Tektro Auriga (6")
TIRES	Author Rocket 27.5" x 2.10"
COLOR B	Author Red / Phantom Black



| SOLUTION [A] |

FRAME	alloy 6061 27.5"	SHIFTERS	Shimano Acera, 24 speed
FORK	RST Gila 27.5 ML (100 mm travel)	BRAKES	Tektro Auriga (6")
CHAINWHEEL	Suntour XCT (42-32-22 teeth)	TIRES	Author Rocket 27.5" x 2.10"
REAR DERAILLEUR	Shimano Acera	COLOR A	Phantom Black / Caribbean Green



| SOLUTION [B] |

FRAME	alloy 6061 27.5"	SHIFTERS	Shimano Acera, 24 speed
FORK	RST Gila 27.5 ML (100 mm travel)	BRAKES	Tektro Auriga (6")
CHAINWHEEL	Suntour XCT (42-32-22 teeth)	TIRES	Author Rocket 27.5" x 2.10"
REAR DERAILLEUR	Shimano Acera	COLOR B	Matte Treasure Silver / Kawa Green



| IMPULSE [A] |

FRAME	alloy 6061 27.5"
FORK	RST Gila 27.5 ML (100 mm travel)
CHAINWHEEL	Prowheel (42-34-24 teeth)
REAR DERAILLEUR	Shimano Altus

SHIFTERS	Shimano Altus, 21 speed
BRAKES	Tekro Auriga (6")
TIRES	Author Rocket 27.5" x 2.10"
COLOR A	Matte Temple Grey / Mandarine



| IMPULSE [B] |

FRAME	alloy 6061 27.5"
FORK	RST Gila 27.5 ML (100 mm travel)
CHAINWHEEL	Prowheel (42-34-24 teeth)
REAR DERAILLEUR	Shimano Altus

SHIFTERS	Shimano Altus, 21 speed
BRAKES	Tekro Auriga (6")
TIRES	Author Rocket 27.5" x 2.10"
COLOR B	Extreme White / Navy Blue



| RIVAL [A] |

FRAME	alloy 6061 27.5"	SHIFTERS	Shimano Altus, 21 speed
FORK	RST Gila 27.5 T (100 mm travel)	BRAKES	Tektro Aries (6")
CHAINWHEEL	Prowheel (42-34-24 teeth)	TIRES	Author Rocket 27.5" x 2.10"
REAR DERAILLEUR	Shimano Altus	COLOR A	Phantom Black / Canary Yellow



| RIVAL [B] |

FRAME	alloy 6061 27.5"	SHIFTERS	Shimano Altus, 21 speed
FORK	RST Gila 27.5 T (100 mm travel)	BRAKES	Tektro Aries (6")
CHAINWHEEL	Prowheel (42-34-24 teeth)	TIRES	Author Rocket 27.5" x 2.10"
REAR DERAILLEUR	Shimano Altus	COLOR B	Matte Treasure Silver / Author Red



| PROFILE [A] |

FRAME	alloy 6061 27.5"	SHIFTERS	Shimano Altus, 21 speed
FORK	RST Gila 27.5 T (100 mm travel)	BRAKES	Tekro 837
CHAINWHEEL	Prowheel (42-34-24 teeth)	TIRES	Author Rocket 27.5" x 2.10"
REAR DERAILEUR	Shimano TX55	COLOR A	Extreme White / Navy Blue / Author Red



| PROFILE [B] |

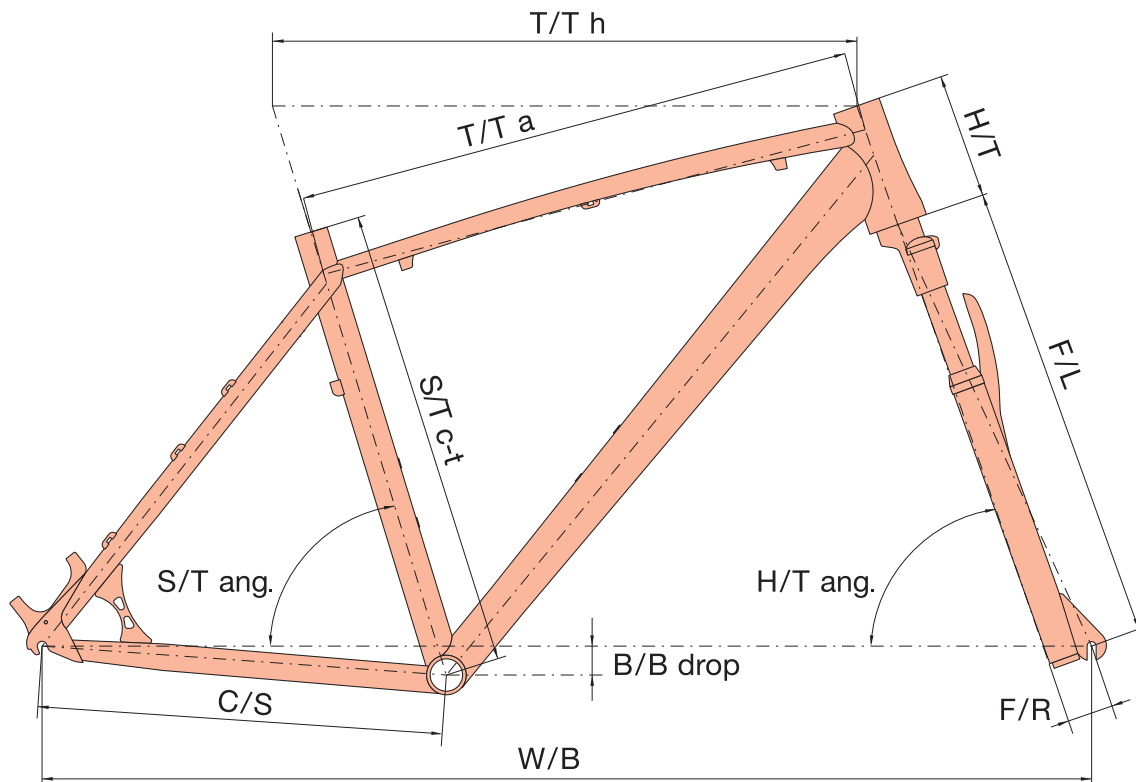
FRAME	alloy 6061 27.5"	SHIFTERS	Shimano Altus, 21 speed
FORK	RST Gila 27.5 T (100 mm travel)	BRAKES	Tekro 837
CHAINWHEEL	Prowheel (42-34-24 teeth)	TIRES	Author Rocket 27.5" x 2.10"
REAR DERAILEUR	Shimano TX55	COLOR B	Matte Temple Grey / Kawa Green



MODEL	INTROVERT	SECTOR	REVOLT	MODUS	EGOIST	VISION	INSTINCT
SIZE	16", 17.5", 19", 20.5"	16", 17.5", 19", 20.5"	16", 17.5", 19", 20.5"	16", 17.5", 19", 20.5"	16", 17.5", 19", 20.5", 22"	16", 17.5", 19", 20.5", 22"	15", 17", 19", 21"
FRAME	AUTHOR A carbon monocoque 27.5"	AUTHOR B carbon monocoque 27.5"	AUTHOR C carbon monocoque 27.5"	AUTHOR C carbon monocoque 27.5"	triple butted hydroformed alloy 6061 27.5"	triple butted hydroformed alloy 6061 27.5"	double butted hydroformed alloy 6061 27.5"
FRONT FORK	FOX 32 Float 27.5 CTD Remote D/C 100 air, remote lock out 15 mm thru axle 1.5" tapered steerer (100 mm)	FOX 32 Float 27.5 Performance air, remote lock out 15 mm thru axle 1.5" tapered steerer (100 mm)	ROCK SHOX Recon Gold TK 27 15 Solo Air air, remote lock out 15 mm thru axle 1.5" tapered steerer (100 mm)	RST F1RST 27.5 TRL air, remote lock out 1.5" tapered steerer (100 mm)	FOX 32 Float 27.5 Performance air, remote lock out 15 mm thru axle 1.5" tapered steerer (100 mm)	ROCK SHOX Recon Gold TK 27 15 Solo Air air, remote lock out 15 mm thru axle 1.5" tapered steerer (100 mm)	RST F1RST 27.5 air, lock out (100 mm)
HEAD PARTS	FSA Orbit 1.5B 1.5" tapered	FSA Orbit 1.5B 1.5" tapered	FSA Orbit 1.5B 1.5" tapered	FSA Orbit 1.5B 1.5" tapered	FSA Orbit 1.5B 1.5" tapered	FSA Orbit 1.5B 1.5" tapered	FSA Integrated 1.5" tapered
CHAINWHEEL	SHIMANO XTR 36 teeth 170 / 175 mm cranks	SHIMANO XT 38-28 teeth 170 / 175 mm cranks	SHIMANO Deore 38-24 teeth 170 / 175 mm cranks	SHIMANO Alivio 40-30-22 teeth 170 / 175 mm cranks	SHIMANO XT 38-28 teeth 170 / 175 mm cranks	SHIMANO Deore 38-24 teeth 170 / 175 mm cranks	SHIMANO Deore 40-30-22 teeth 170 / 175 mm cranks
B.B. PARTS	SHIMANO XTR BB unit	SHIMANO BB70 BB unit	SHIMANO BB52 BB unit	SHIMANO BB52 BB unit	SHIMANO BBMT800 BB unit	SHIMANO BB52 BB unit	SHIMANO BB52 BB unit
FRONT DERAILLEUR	-	SHIMANO XT (34.9)	SHIMANO SLX (34.9)	SHIMANO Alivio (34.9)	SHIMANO XT (34.9)	SHIMANO SLX (34.9)	SHIMANO Deore (34.9)
REAR DERAILLEUR	SHIMANO XTR	SHIMANO XT "clutch"	SHIMANO XT "clutch"	SHIMANO Deore	SHIMANO XT "clutch"	SHIMANO XT "clutch"	SHIMANO XT
SHIFTERS	SHIMANO XTR (11)	SHIMANO XT (22)	SHIMANO SLX (20)	SHIMANO Alivio (27)	SHIMANO XT (22)	SHIMANO SLX (20)	SHIMANO Deore (30)
FREEWHEEL	SHIMANO M9000 11-40 (11)	SHIMANO M8000-11 11-40 (11)	SHIMANO HG50-10 11-36 (10)	SHIMANO HG400-9 11-34 (9)	SHIMANO M8000-11 11-40 (11)	SHIMANO HG50-10 11-36 (10)	SHIMANO HG50-10 11-36 (10)
CHAIN	SHIMANO M9000	SHIMANO HG600	SHIMANO HG54	SHIMANO HG53	SHIMANO HG600	SHIMANO HG54	SHIMANO HG54
HUBS	MAVIC Crossmax SL 27.5 TNT wheel set 15 x 100 mm thru front axle 12 x 142 mm thru rear axle 20 holes	MAVIC Crossride Light 27.5 wheel set 24 holes 15 x 100 mm thru front axle 12 x 142 mm thru rear axle	AUTHOR Helium 15 / Xenon 12 15 x 100 mm thru front axle 12 x 142 mm thru rear axle 32 holes	AUTHOR Xenon / Xenon 12 12 x 142 mm thru rear axle 32 holes	MAVIC Crossride Light 27.5 wheel set 24 holes 15 x 100 mm thru front axle 12 x 142 mm thru rear axle	AUTHOR Helium 15 / Xenon 15 x 100 mm thru front axle 32 holes	AUTHOR Xenon 32 holes
BRAKES	SHIMANO XTR disc hydraulic (6" rotors)	SHIMANO XT disc hydraulic (6" rotors)	SHIMANO Deore disc hydraulic (6" rotors)	TEKTRO Gemini disc hydraulic (6" rotors)	SHIMANO SLX disc hydraulic (6" rotors)	SHIMANO Deore disc hydraulic (6" rotors)	SHIMANO Alivio disc hydraulic (6" rotors)
BRAKE LEVERS	SHIMANO XTR	SHIMANO XT	SHIMANO Deore	TEKTRO Gemini	SHIMANO SLX	SHIMANO Deore	SHIMANO Alivio
RIMS	MAVIC Crossmax SL 27.5 TNT wheel set 20 holes	MAVIC Crossride Light 27.5 wheel set 24 holes	AUTHOR Krypton Pro 27.5 32 holes	AUTHOR Radon Pro 27.5 32 holes	MAVIC Crossride Light 27.5 wheel set 24 holes	AUTHOR Krypton Pro 27.5 32 holes	AUTHOR Radon Pro 27.5 32 holes
SPOKES	MAVIC	MAVIC	black stainless steel 2.0 mm	black stainless steel 2.0 mm	MAVIC	black stainless steel 2.0 mm	black stainless steel 2.0 mm
TIRES	VITTORIA Barzo kevlar TNT 27.5" x 2.10"	VITTORIA Barzo kevlar 27.5" x 2.10"	VITTORIA Barzo kevlar 27.5" x 2.10"	VITTORIA Barzo kevlar 27.5" x 2.10"	VITTORIA Barzo kevlar 27.5" x 2.10"	VITTORIA Barzo kevlar 27.5" x 2.10"	VITTORIA Barzo kevlar 27.5" x 2.10"
PEDALS	SHIMANO M780 clipless	-	SHIMANO M520 clipless	SHIMANO M520 clipless	-	SHIMANO M520 clipless	SHIMANO M520 clipless
HANDLEBAR	RITCHEY WCS Flat carbon 0 mm 680 mm	RITCHEY WCS Flat 0 mm 660 mm	AUTHOR 15 mm 660 / 680 mm	AUTHOR 15 mm 660 / 680 mm	RITCHEY WCS Flat 0 mm 660 mm	AUTHOR 15 mm 660 / 680 mm	AUTHOR 15 mm 660 / 680 mm
GRIPS	AUTHOR Pro Lock	AUTHOR Pro Lock	AUTHOR Pro Lock	AUTHOR Pro Lock	AUTHOR Pro Lock	AUTHOR Pro Lock	AUTHOR Pro Lock
STEM	RITCHEY WCS 4-Axis	RITCHEY WCS 4-Axis	AUTHOR alloy	AUTHOR alloy	RITCHEY WCS 4-Axis	AUTHOR alloy	AUTHOR alloy
SEAT POST	RITCHEY WCS 1B carbon (31.6)	RITCHEY Comp Carbon (31.6)	AUTHOR alloy (31.6)	AUTHOR alloy (31.6)	RITCHEY Comp Carbon (31.6)	AUTHOR alloy (31.6)	AUTHOR alloy (31.6)
SEAT CLAMP	AUTHOR (34.9)	AUTHOR (34.9)	AUTHOR (34.9)	AUTHOR (34.9)	AUTHOR (34.9)	AUTHOR (34.9)	AUTHOR (34.9)
SADDLE	FIZIK Antares R3	AUTHOR Genius	AUTHOR Navigator	AUTHOR Navigator	AUTHOR Genius	AUTHOR Navigator	AUTHOR Navigator
SPEED	11	22	20	27	22	20	30
WEIGHT	9.3 kg / 19"	11,1 kg / 19"	12,1 kg / 19"	12,5 kg / 19"	11,5 kg / 19"	12,3 kg / 19"	12,5 kg / 19"

MODEL	TRACTION	SPIRIT	PEGAS	SOLUTION	IMPULSE	RIVAL	PROFILE
SIZE	15", 17", 19", 21"	15", 17", 19", 21"	15", 17", 19", 21"	15", 17", 19", 21"	15", 17", 19", 21"	15", 17", 19", 21"	15", 17", 19", 21"
FRAME	double butted hydroformed alloy 6061 27.5"	hydroformed alloy 6061 27.5"	hydroformed alloy 6061 27.5"	alloy 6061 27.5"	alloy 6061 27.5"	alloy 6061 27.5"	alloy 6061 27.5"
FRONT FORK	RST Aerial 27.5 TnL air, lock out (100 mm)	RST Blaze 27.5 TnL oil, lock out (100 mm)	RST Gila 27.5 ML lock out (100 mm)	RST Gila 27.5 ML lock out (100 mm)	RST Gila 27.5 ML lock out (100 mm)	RST Gila 27.5 T (100 mm)	RST Gila 27.5 T (100 mm)
HEAD PARTS	AUTHOR Integrated 1.5" tapered	AUTHOR Integrated 1.5" tapered	AUTHOR Integrated 1.5" tapered	PRESTINE Integrated 1-1/8"	PRESTINE Integrated 1-1/8"	PRESTINE Integrated 1-1/8"	PRESTINE Integrated 1-1/8"
CHAINWHEEL	SHIMANO Alivio 40-30-22 teeth 170 / 175 mm cranks	SHIMANO M-4000 40-30-22 teeth 170 / 175 mm cranks	SUNTOUR XCM 40-30-22 teeth 170 / 175 mm cranks	SUNTOUR XCT 42-32-22 teeth 170 / 175 mm cranks	PROWHEEL 42-34-24 teeth 170 / 175 mm cranks	PROWHEEL 42-34-24 teeth 170 mm cranks	PROWHEEL 42-34-24 teeth 170 mm cranks
B.B. PARTS	SHIMANO BB52 BB unit	SHIMANO ES300 Octalink	SUNTOUR XCT cartridge	SUNTOUR XCT cartridge	VP COMP cartridge	VP COMP cartridge	VP COMP cartridge
FRONT DERAILLEUR	SHIMANO Alivio (34.9)	SHIMANO Acera (34.9)	SHIMANO Acera (34.9)	SHIMANO M190 (34.9)	SHIMANO M190 (34.9)	SHIMANO M190 (34.9)	SHIMANO TX50 (34.9)
REAR DERAILLEUR	SHIMANO Deore	SHIMANO Alivio	SHIMANO Acera	SHIMANO Acera	SHIMANO Altus	SHIMANO Altus	SHIMANO TX55
SHIFTERS	SHIMANO Alivio (27)	SHIMANO Alivio (27)	SHIMANO Acera (27)	SHIMANO Acera (24)	SHIMANO Altus (21)	SHIMANO Altus (21)	SHIMANO Altus (21)
FREEWHEEL	SHIMANO HG400-9 11-34 (9)	SHIMANO HG400-9 11-34 (9)	SHIMANO HG20-9 11-34 (9)	SHIMANO HG31-8 11-32 (8)	SHIMANO HG20-7 12-32 (7)	SHIMANO HG20-7 12-32 (7)	SHIMANO MF-TZ21 14-28 (7)
CHAIN	SHIMANO HG53	KMC Z99	KMC Z99	KMC Z72	KMC Z51	KMC Z51	KMC Z51
HUBS	AUTHOR Radon 32 holes	QUANDO Disc 32 holes	QUANDO Disc 32 holes	QUANDO Disc 32 holes	QUANDO Disc 32 holes	QUANDO Disc 32 holes	QUANDO 32 holes
BRAKES	TEKTRO Gemini disc hydraulic (6" rotors)	TEKTRO Auriga disc hydraulic (6" rotors)	TEKTRO Auriga disc hydraulic (6" rotors)	TEKTRO Auriga disc hydraulic (6" rotors)	TEKTRO Auriga disc hydraulic (6" rotors)	TEKTRO Aries disc mechanical (6" rotors)	TEKTRO 837
BRAKE LEVERS	TEKTRO Gemini	TEKTRO Auriga	TEKTRO Auriga	TEKTRO Auriga	TEKTRO Auriga	SHIMANO Altus	SHIMANO Altus
RIMS	AUTHOR Radon Pro 27.5 32 holes	AUTHOR Radon 27.5 32 holes	AUTHOR Radon 27.5 32 holes	AUTHOR Radon 27.5 32 holes	AUTHOR Radon 27.5 32 holes	AUTHOR Radon 27.5 32 holes	alloy 32 holes
SPOKES	black stainless steel 2.0 mm	black steel	black steel	black steel	black steel	black steel	steel
TIRES	VITTORIA Barzo 27.5" x 2.10"	AUTHOR Rocket 27.5" x 2.10"	AUTHOR Rocket 27.5" x 2.10"	AUTHOR Rocket 27.5" x 2.10"	AUTHOR Rocket 27.5" x 2.10"	AUTHOR Rocket 27.5" x 2.10"	AUTHOR Rocket 27.5" x 2.10"
PEDALS	AUTHOR alloy	AUTHOR alloy	AUTHOR alloy	AUTHOR alloy / resin	resin	resin	resin
HANDLEBAR	AUTHOR 15 mm 660 / 680 mm	AUTHOR 25 mm 660 / 680 mm	AUTHOR 25 mm 660 / 680 mm	AUTHOR 25 mm 660 / 680 mm	AUTHOR 25 mm 660 / 680 mm	steel 20 mm 640 mm	steel 20 mm 640 mm
GRIPS	AUTHOR Pro Lock	AUTHOR high density foam	AUTHOR high density foam	AUTHOR high density foam	AUTHOR high density foam	AUTHOR high density foam	AUTHOR high density foam
STEM	AUTHOR alloy	AUTHOR alloy	AUTHOR alloy	AUTHOR alloy	AUTHOR alloy	ZOOM alloy	ZOOM alloy
SEAT POST	AUTHOR alloy (31.6)	AUTHOR alloy (31.6)	AUTHOR alloy (31.6)	AUTHOR alloy (31.6)	AUTHOR alloy (31.6)	ZOOM alloy (31.6)	ZOOM alloy (31.6)
SEAT CLAMP	AUTHOR (34.9)	AUTHOR (34.9)	AUTHOR (34.9)	AUTHOR (34.9)	AUTHOR (34.9)	AUTHOR (34.9)	AUTHOR (34.9)
SADDLE	AUTHOR Navigator	AUTHOR Navigator	AUTHOR Navigator	AUTHOR Courier	AUTHOR Courier	AUTHOR Courier	AUTHOR Courier
SPEED	27	27	27	24	21	21	21
WEIGHT	13,5 kg / 19"	14,5 kg / 19"	13,9 kg / 19"	13,9 kg / 19"	14,3 kg / 19"	15,5 kg / 19"	14,9 kg / 19"





	S/T c-t	T/T h	T/T a	H/T	C/S	W/B	S/T ang.	H/T ang.	F/L	B/B drop	B/B width	F/R
INTROVERT * T 1,5° PF / SECTOR * T 1,5° PF / REVOLT * T 1,5° PF / MODUS * T 1,5° PF												
16"	412	577	556	101	425	1067	73.0	70.0	488	40	73	44
17,5"	445	591	569	106	425	1081	73.0	70.0	488	40	73	44
19"	486	606	581	116	425	1095	72.5	70.0	488	40	73	44
20,5"	526	622	594	126	425	1108	72.5	70.0	488	40	73	44
EGOIST * T 1,5° PF / VISION * T 1,5° PF												
16"	406	575	555	110	425	1065	73.0	70.0	488	40	73	44
17,5"	445	590	566	117	425	1080	73.0	70.0	488	40	73	44
19"	483	605	580	125	425	1095	73.0	70.0	488	40	73	44
20,5"	520	620	595	132	425	1105	72.5	70.0	488	40	73	44
22"	559	635	613	140	425	1120	72.5	70.0	488	40	73	44
INSTINCT * T 1,5° PF / TRACTION * T 1,5° PF / SPIRIT * T 1,5° PF / PEGAS * T 1,5° PF												
15"	381	570	537	115	435	1058	73.0	69.0	495	35	68	44
17"	432	590	554	125	435	1081	73.0	69.0	495	35	68	44
19"	483	615	578	130	435	1106	73.0	69.0	495	35	68	44
21"	533	635	602	140	435	1126	73.0	69.0	495	35	68	44
SOLUTION * / IMPULSE * / RIVAL * / PROFILE *												
15"	381	570	537	115	435	1058	73.0	69.0	495	35	68	44
17"	432	590	554	125	435	1081	73.0	69.0	495	35	68	44
19"	483	615	578	130	435	1106	73.0	69.0	495	35	68	44
21"	533	635	602	140	435	1126	73.0	69.0	495	35	68	44

* t 1,5° PF - semiintegrated head set 1,5° tapered PF
 * - 1 1/8" semiintegrated head set PF 50 mm

PF - Press Fit

GEOMETRY TABLE LEGEND:

- S/T c-t - seat tube (center-top)
- T/T h - top tube horizontal
- T/T a - top tube actual
- H/T - head tube
- C/S - chain stay
- W/B - wheel base
- S/T ang. - seat tube angle
- H/T ang. - head tube angle
- F/L - fork length
- B/B drop - bottom bracket drop
- B/B width - bottom bracket width
- F/R - fork rake

Recommended frame size to the body height for each model you can find on our web site www.author.eu

MTB ASL 27.5

1
2
3
4
5
6
7
8
9
10



COLLECTION 2016



AUTHOR MTB ASL 27,5"

Models INSTINCT ASL, TRACTION ASL and PEGAS ASL go over to the 27,5" wheel size. They have the same frame as their men's partners – INSTINCT, TRACTION and PEGAS, but they are still keeping ASL geometry. For such a frame tubes shape we had to open our own molds. The shaping of the tubes we call and name as AUTHOR HYDROFORM TECHNOLOGY.

AUTHOR HYDROFORM TECHNOLOGY**Frame's Structural Elements**

1. direct Post Mount (PM) interface on the left seat stay prepared for 6" rotor
2. the conical head tube compatible with the 1,5" fork's tapered steerer tube
3. the reinforcement gusset between chain and seat stay

The above mentioned models are for next year completed by SOLUTION ASL and IMPULSE ASL, which belong to frame platform LOGIC II and so have a new frame with it's own hydroformed shape (molds for top and down tube) and geometry, which is specifically tuned according to the wheel size, gender and use. Convexly bended frame top tube will remain on these models.

The applied material is again the well-proven double butted alloy 6061.

The above stated models of AUTHOR MTB ASL collection represent 5 models in a different component and frame's quality. They are offered recently in 14" size, and then in 2 other frame sizes: 16 and 18".



SHIMANO
3x10



| INSTINCT ASL |

FRAME	double butted hydroformed alloy 6061 27.5" (ASL)
FORK	RST F1RST 27.5 (100 mm travel)
CHAINWHEEL	Shimano Deore (40-30-22 teeth), BB unit
REAR DERAILLEUR	Shimano XT

SHIFTERS	Shimano Deore, 30 speed
BRAKES	Shimano Alivio (6")
TIRES	Vittoria Barzo kevlar 27.5" x 2.10"
COLOR	Matte Treasure Silver / Italian Sky



| TRACTION ASL |

FRAME	double butted hydroformed alloy 6061 27.5" (ASL)
FORK	RST Aerial 27.5 TnL (100 mm travel)
CHAINWHEEL	Shimano Alivio (40-30-22 teeth), BB unit
REAR DERAILLEUR	Shimano Deore

SHIFTERS	Shimano Alivio, 27 speed
BRAKES	Tektro Gemini WS (6")
TIRES	Vittoria Barzo 27.5" x 2.10"
COLOR	Extreme White / Author Red





| PEGAS ASL [A] |

FRAME	hydroformed alloy 6061 27.5" (ASL)	SHIFTERS	Shimano Acera, 27 speed
FORK	RST Gila 27.5 ML (100 mm travel)	BRAKES	Tektro Auriga WS (6")
CHAINWHEEL	Suntour XCM (40-30-22 teeth)	TIRES	Author Speed Master 27.5" x 2.00"
REAR DERAILLEUR	Shimano Acera	COLOR A	Matte Temple Grey / Suzy Pink



| PEGAS ASL [B] |

FRAME	hydroformed alloy 6061 27.5" (ASL)	SHIFTERS	Shimano Acera, 27 speed
FORK	RST Gila 27.5 ML (100 mm travel)	BRAKES	Tektro Auriga WS (6")
CHAINWHEEL	Suntour XCM (40-30-22 teeth)	TIRES	Author Speed Master 27.5" x 2.00"
REAR DERAILLEUR	Shimano Acera	COLOR B	Extreme White / Falling Leaf



| SOLUTION ASL [A] |

FRAME	alloy 6061 27.5" (ASL)
FORK	RST Gila 27.5 ML (100 mm travel)
CHAINWHEEL	Suntour XCT (42-32-22 teeth)
REAR DERAILLEUR	Shimano Acera

SHIFTERS	Shimano Acera, 24 speed
BRAKES	Tektro Auriga WS (6")
TIRES	Author Speed Master 27.5" x 2.00"
COLOR A	Persian Orange / Phantom Black



| SOLUTION ASL [B] |

FRAME	alloy 6061 27.5" (ASL)
FORK	RST Gila 27.5 ML (100 mm travel)
CHAINWHEEL	Suntour XCT (42-32-22 teeth)
REAR DERAILLEUR	Shimano Acera

SHIFTERS	Shimano Acera, 24 speed
BRAKES	Tektro Auriga WS (6")
TIRES	Author Speed Master 27.5" x 2.00"
COLOR B	Matte Ritual Silver / Suzy Pink





| IMPULSE ASL [A] |

FRAME	alloy 6061 27.5" (ASL)	SHIFTERS	Shimano Altus, 21 speed
FORK	RST Gila 27.5 ML (100 mm travel)	BRAKES	Tektro Auriga WS (6")
CHAINWHEEL	Prowheel (42-34-24 teeth)	TIRES	Author Speed Master 27.5" x 2.00"
REAR DERAILLEUR	Shimano Altus	COLOR A	Temple Grey / Lime

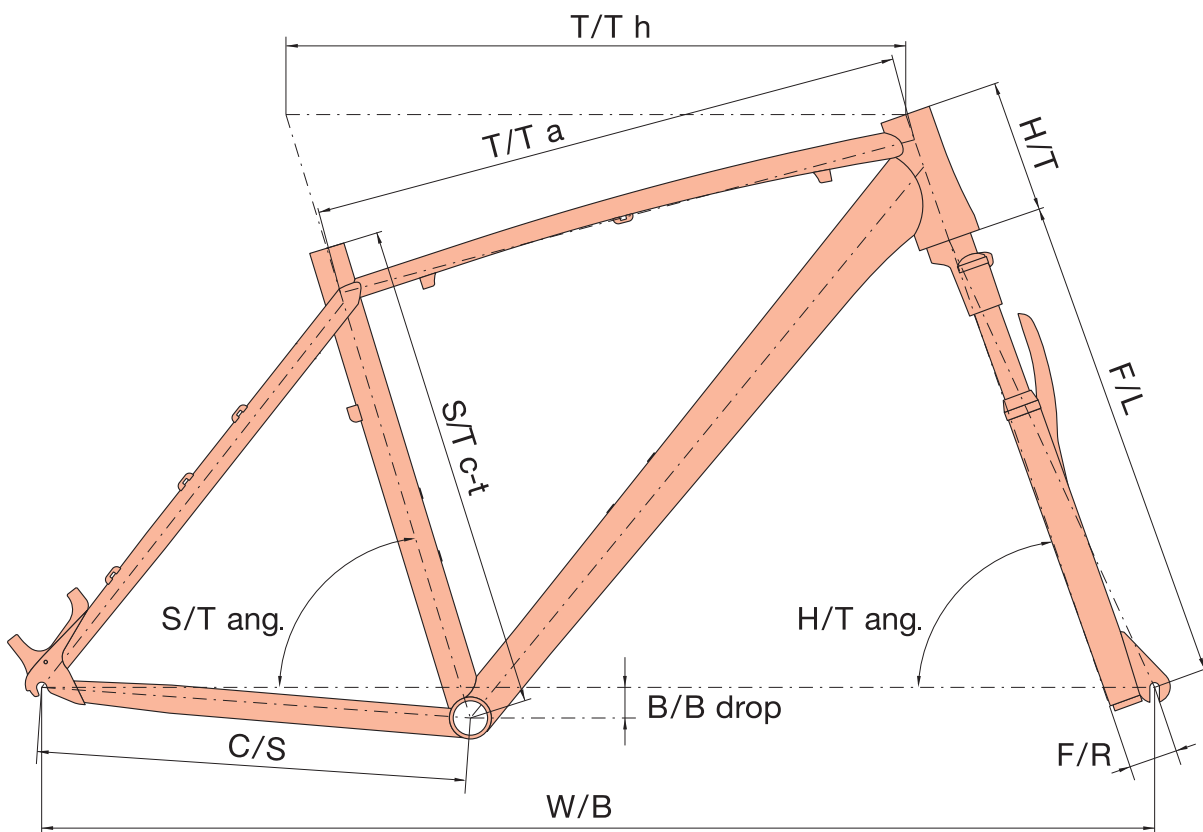


| IMPULSE ASL [B] |

FRAME	alloy 6061 27.5" (ASL)	SHIFTERS	Shimano Altus, 21 speed
FORK	RST Gila 27.5 ML (100 mm travel)	BRAKES	Tektro Auriga WS (6")
CHAINWHEEL	Prowheel (42-34-24 teeth)	TIRES	Author Speed Master 27.5" x 2.00"
REAR DERAILLEUR	Shimano Altus	COLOR B	Extreme White / Falling Leaf

MODEL	INSTINCT ASL	TRACTION ASL	PEGAS ASL	SOLUTION ASL	IMPULSE ASL
SIZE	14", 16", 18"	14", 16", 18"	14", 16", 18"	14", 16", 18"	14", 16", 18"
FRAME	double butted hydroformed alloy 6061 27.5" (ASL)	double butted hydroformed alloy 6061 27.5" (ASL)	hydroformed alloy 6061 27.5" (ASL)	alloy 6061 27.5" (ASL)	alloy 6061 27.5" (ASL)
FRONT FORK	RST F1RST 27.5 air, lock out (100 mm)	RST Aerial 27.5 TnL air, lock out (100 mm)	RST Gila 27.5 ML lock out (100 mm)	RST Gila 27.5 ML lock out (100 mm)	RST Gila 27.5 ML lock out (100 mm)
HEAD PARTS	FSA Integrated 1.5" tapered	AUTHOR Integrated 1.5" tapered	AUTHOR Integrated 1.5" tapered	PRESTINE Integrated 1-1/8"	PRESTINE Integrated 1-1/8"
CHAINWHEEL	SHIMANO Deore 40-30-22 teeth 170 / 175 mm cranks	SHIMANO Alivio 40-30-22 teeth 170 / 175 mm cranks	SUNTOUR XCM 40-30-22 teeth 170 mm cranks	SUNTOUR XCT 42-32-22 teeth 170 mm cranks	PROWHEEL 42-34-24 teeth 170 mm cranks
B.B. PARTS	SHIMANO BB52 BB unit	SHIMANO BB52 BB unit	SUNTOUR XCT cartridge	SUNTOUR XCT cartridge	VP COMP cartridge
FRONT DERAILEUR	SHIMANO Deore (34.9)	SHIMANO Alivio (34.9)	SHIMANO Acera (34.9)	SHIMANO M190 (34.9)	SHIMANO M190 (34.9)
REAR DERAILEUR	SHIMANO XT	SHIMANO Deore	SHIMANO Acera	SHIMANO Acera	SHIMANO Altus
SHIFTERS	SHIMANO Deore (30)	SHIMANO Alivio (27)	SHIMANO Acera (27)	SHIMANO Acera (24)	SHIMANO Altus (21)
FREEWHEEL	SHIMANO HG50-10 11-36 (10)	SHIMANO HG400-9 11-34 (9)	SHIMANO HG20-9 11-34 (9)	SHIMANO HG31-8 11-32 (8)	SHIMANO HG20-7 12-32 (7)
CHAIN	SHIMANO HG54	SHIMANO HG53	KMC Z99	KMC Z72	KMC Z51
HUBS	AUTHOR Xenon 32 holes	AUTHOR Radon 32 holes	QUANDO Disc 32 holes	QUANDO Disc 32 holes	QUANDO Disc 32 holes
BRAKES	SHIMANO Alivio disc hydraulic (6" rotors)	TEKTRO Gemini disc hydraulic (6" rotors)	TEKTRO Auriga disc hydraulic (6" rotors)	TEKTRO Auriga disc hydraulic (6" rotors)	TEKTRO Auriga disc hydraulic (6" rotors)
BRAKE LEVERS	SHIMANO Alivio	TEKTRO Gemini WS	TEKTRO Auriga WS	TEKTRO Auriga WS	TEKTRO Auriga WS
RIMS	AUTHOR Radon Pro 27.5 32 holes	AUTHOR Radon Pro 27.5 32 holes	AUTHOR Radon 27.5 32 holes	AUTHOR Radon 27.5 32 holes	AUTHOR Radon 27.5 32 holes
SPOKES	black stainless steel 2.0 mm	black stainless steel 2.0 mm	black steel	black steel	black steel
TIRES	VITTORIA Barzo kevlar 27.5" x 2.10"	VITTORIA Barzo 27.5" x 2.10"	AUTHOR Speed Master 27.5" x 2.00"	AUTHOR Speed Master 27.5" x 2.00"	AUTHOR Speed Master 27.5" x 2.00"
PEDALS	SHIMANO M520 clipless	AUTHOR alloy	AUTHOR alloy	AUTHOR Non Slip resin	resin
HANDLEBAR	AUTHOR 15 mm 640 / 660 mm	AUTHOR 15 mm 640 / 660 mm	AUTHOR 25 mm 640 / 660 mm	AUTHOR 25 mm 640 / 660 mm	AUTHOR 25 mm 640 / 660 mm
GRIPS	AUTHOR GripLock foam	AUTHOR GripLock foam	AUTHOR high density foam	AUTHOR high density foam	AUTHOR high density foam
STEM	AUTHOR alloy	AUTHOR alloy	AUTHOR alloy	AUTHOR alloy	AUTHOR alloy
SEAT POST	AUTHOR alloy (31.6)	AUTHOR alloy (31.6)	AUTHOR alloy (31.6)	AUTHOR alloy (31.6)	AUTHOR alloy (31.6)
SEAT CLAMP	AUTHOR (34.9)	AUTHOR (34.9)	AUTHOR (34.9)	AUTHOR (34.9)	AUTHOR (34.9)
SADDLE	AUTHOR Fenix	AUTHOR Fenix	AUTHOR Fenix	AUTHOR Fenix	AUTHOR Fenix
SPEED	30	27	27	24	21
WEIGHT	12,5 kg / 18"	13,5 kg / 18"	13,9 kg / 18"	14,3 kg / 18"	14,3 kg / 18"





	S/T c-t	T/T h	T/T a	H/T	C/S	W/B	S/T ang.	H/T ang.	F/L	B/B drop	B/B width	F/R
INSTINCT ASL * T 1,5" PF / TRACTION ASL * T 1,5" PF / PEGAS ASL * T 1,5" PF												
14"	356	545	542	110	425	1033	73.0	70.0	495	45	68	44
16"	406	560	545	120	425	1054	73.0	69.5	495	45	68	44
18"	457	585	563	130	425	1079	73.0	69.5	495	45	68	44
20"	508	610	583	135	425	1099	72.5	69.5	495	45	68	44
SOLUTION ASL * / IMPULSE ASL *												
14"	356	545	542	110	425	1033	73.0	70.0	495	45	68	44
16"	406	560	545	120	425	1054	73.0	69.5	495	45	68	44
18"	457	585	563	130	425	1079	73.0	69.5	495	45	68	44
20"	508	610	583	135	425	1099	72.5	69.5	495	45	68	44

* t 1,5" PF - semiintegrated head set 1,5" tapered PF

PF - Press Fit

* - 1 1/8" semiintegrated head set PF 50 mm

GEOMETRY TABLE LEGEND:

- S/T c-t - seat tube (center-top)
- T/T h - top tube horizontal
- T/T a - top tube actual
- H/T - head tube
- C/S - chain stay
- W/B - wheel base
- S/T ang. - seat tube angle
- H/T ang. - head tube angle
- F/L - fork length
- B/B drop - bottom bracket drop
- B/B width - bottom bracket width
- F/R - fork rake

Recommended frame size to the body height for each model you can find on our web site www.author.eu

NOTES

at

the

best

places



COLLECTIVE/SHUTTERSTOCK



AUTHOR MTB 26"**Frame's platform LOGIC I and LOGIC II**

From model year 2015 and on we distinguish MTB 26" alloy models according to the frame platforms, which include wheel sizes 26", 27,5" and 29" into the groups of LOGIC I and LOGIC II.

LOGIC I covers models OUTSET, UNICA and SPECTRA, which are overtaking comfy and playfull geometry from models GANGSTA and NIKITA. New frame, of which base is round tubes shape, take advantage of well proven cable routing under top tube. LOGIC I group models are built on plain gauge tubes from alloy 6061.

Model QUANTA belongs to frame platform LOGIC II and so has a new frame with it's own hydroformed shape (molds for top and down tube) and geometry, which is specifically tuned according to the wheel size, gender and use. The applied material is again the well-proven alloy 6061.





| QUANTA [A] |

FRAME	alloy 6061 26"
FORK	RST Gila 26 T (80 mm travel)
CHAINWHEEL	Suntour XCT (42-32-22 teeth)
REAR DERAILLEUR	Shimano Acera

SHIFTERS	Shimano Altus, 24 speed
BRAKES	Tektro 855
TIRES	Author Speed Master 26" x 2.00"
COLOR A	Treasure Silver / Raspberry Red



| QUANTA [B] |

FRAME	alloy 6061 26"
FORK	RST Gila 26 T (80 mm travel)
CHAINWHEEL	Suntour XCT (42-32-22 teeth)
REAR DERAILLEUR	Shimano Acera

SHIFTERS	Shimano Altus, 24 speed
BRAKES	Tektro 855
TIRES	Author Speed Master 26" x 2.00"
COLOR B	Temple Grey / Italian Sky



| SPECTRA [A] |

FRAME	alloy 6061 26"	SHIFTERS	Shimano Altus, 21 speed
FORK	RST Capa 26 T (80 mm travel)	BRAKES	Tektro 837
CHAINWHEEL	Prowheel (42-34-24 teeth)	TIRES	Author Speed Master 26" x 2.00"
REAR DERAILLEUR	Shimano TX55	COLOR A	Persian Orange / Phantom Black



| SPECTRA [B] |

FRAME	alloy 6061 26"	SHIFTERS	Shimano Altus, 21 speed
FORK	RST Capa 26 T (80 mm travel)	BRAKES	Tektro 837
CHAINWHEEL	Prowheel (42-34-24 teeth)	TIRES	Author Speed Master 26" x 2.00"
REAR DERAILLEUR	Shimano TX55	COLOR B	Matte Ritual Silver / Suzy Pink



| OUTSET [A] |

FRAME	alloy 6061 26"
FORK	Zoom (60 mm travel)
CHAINWHEEL	Prowheel (42-34-24 teeth)
REAR DERAILLEUR	Shimano TX55

SHIFTERS	Shimano Altus, 21 speed
BRAKES	Tektro 837
TIRES	Author Rocket 26" x 2.10"
COLOR A	Green Olive / Phantom Black



| OUTSET [B] |

FRAME	alloy 6061 26"
FORK	Zoom (60 mm travel)
CHAINWHEEL	Prowheel (42-34-24 teeth)
REAR DERAILLEUR	Shimano TX55

SHIFTERS	Shimano Altus, 21 speed
BRAKES	Tektro 837
TIRES	Author Rocket 26" x 2.10"
COLOR B	Matte Phantom Black / Neon Green



| OUTSET [C] |

FRAME	alloy 6061 26"	SHIFTERS	Shimano Altus, 21 speed
FORK	Zoom (60 mm travel)	BRAKES	Tektro 837
CHAINWHEEL	Prowheel (42-34-24 teeth)	TIRES	Author Rocket 26" x 2.10"
REAR DERAILLEUR	Shimano TX55	COLOR C	Matte Treasure Silver / Andaman Sea





| UNICA [A] |

FRAME	alloy 6061 26"
FORK	Zoom (60 mm travel)
CHAINWHEEL	Prowheel (42-34-24 teeth)
REAR DERAILLEUR	Shimano TX55

SHIFTERS	Shimano Altus, 21 speed
BRAKES	Tektro 837
TIRES	Author Speed Master 26" x 2.00"
COLOR A	Matte Temple Grey / Lime



| UNICA [B] |

FRAME	alloy 6061 26"
FORK	Zoom (60 mm travel)
CHAINWHEEL	Prowheel (42-34-24 teeth)
REAR DERAILLEUR	Shimano TX55

SHIFTERS	Shimano Altus, 21 speed
BRAKES	Tektro 837
TIRES	Author Speed Master 26" x 2.00"
COLOR B	Extreme White / Author Red





| TROPHY [A] |

FRAME	hi-ten 26"	SHIFTERS	Shimano Revoshift, 18 speed
FORK	Zoom (60 mm travel)	BRAKES	alloy
CHAINWHEEL	Prowheel (42-34-24 teeth)	TIRES	Author Speed Master 26" x 2.00"
REAR DERAILLEUR	Shimano TY21	COLOR A	Navy Blue / Phantom Black



| TROPHY [B] |

FRAME	hi-ten 26"	SHIFTERS	Shimano Revoshift, 18 speed
FORK	Zoom (60 mm travel)	BRAKES	alloy
CHAINWHEEL	Prowheel (42-34-24 teeth)	TIRES	Author Speed Master 26" x 2.00"
REAR DERAILLEUR	Shimano TY21	COLOR B	Matte Phantom Black / Canary Yellow



| TROPHY [C] |

FRAME	hi-ten 26"
FORK	Zoom (60 mm travel)
CHAINWHEEL	Prowheel (42-34-24 teeth)
REAR DERAILLEUR	Shimano TY21

SHIFTERS	Shimano Revoshift, 18 speed
BRAKES	alloy
TIRES	Author Speed Master 26" x 2.00"
COLOR C	Author Red / Phantom Black





| VECTRA [A] |

FRAME	hi-ten 26"	SHIFTERS	Shimano Revoshift, 18 speed
FORK	Zoom (60 mm travel)	BRAKES	alloy
CHAINWHEEL	Prowheel (42-34-24 teeth)	TIRES	Author Speed Master 26" x 2.00"
REAR DERAILLEUR	Shimano TY21	COLOR A	Extreme White / Glitter Violet

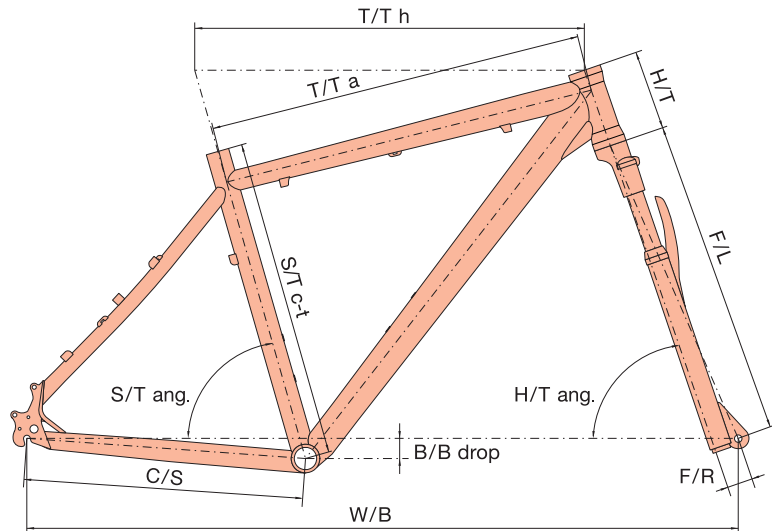
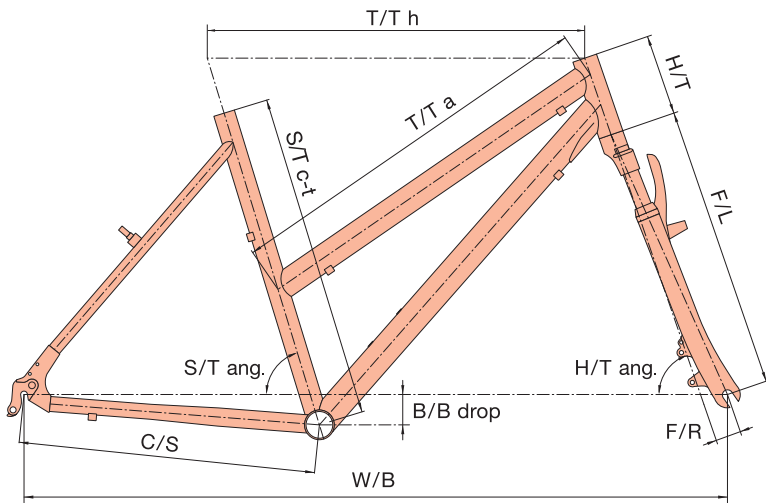


| VECTRA [B] |

FRAME	hi-ten 26"	SHIFTERS	Shimano Revoshift, 18 speed
FORK	Zoom (60 mm travel)	BRAKES	alloy
CHAINWHEEL	Prowheel (42-34-24 teeth)	TIRES	Author Speed Master 26" x 2.00"
REAR DERAILLEUR	Shimano TY21	COLOR B	Matte Ritual Silver / California Orange

MODEL	QUANTA	SPECTRA	OUTSET	UNICA	TROPHY	VECTRA
SIZE	16", 18"	16", 18"	15", 17", 19", 21"	16", 18"	15", 17", 19", 21"	16", 18"
FRAME	alloy 6061 26" (L)	alloy 6061 26" (L)	alloy 6061 26"	alloy 6061 26" (L)	hi-ten 26"	hi-ten 26" (L)
FRONT FORK	RST Gila 26 T (80 mm)	RST Capa 26 T (80 mm)	ZOOM (60 mm)	ZOOM (60 mm)	ZOOM (60 mm)	ZOOM (60 mm)
HEAD PARTS	PRESTINE Integrated 1-1/8"	PRESTINE Integrated 1-1/8"	PRESTINE 1-1/8"	PRESTINE 1-1/8"	VP COMP 1"	VP COMP 1"
CHAINWHEEL	SUNTOUR XCT 42-32-22 teeth 170 mm cranks	PROWHEEL 42-34-24 teeth 170 mm cranks	PROWHEEL 42-34-24 teeth 170 mm cranks	PROWHEEL 42-34-24 teeth 170 mm cranks	PROWHEEL 42-34-24 teeth 170 mm cranks	PROWHEEL 42-34-24 teeth 170 mm cranks
B.B. PARTS	SUNTOUR XCT cartridge	VP COMP cartridge	VP COMP cartridge	VP COMP cartridge	VP COMP	VP COMP
FRONT DERAILLEUR	SHIMANO M190 (34.9)	SHIMANO TX50 (34.9)	SHIMANO TX50 (34.9)	SHIMANO TX50 (34.9)	SHIMANO TX50 (28.6)	SHIMANO TX50 (28.6)
REAR DERAILLEUR	SHIMANO Acera	SHIMANO TX55	SHIMANO TX55	SHIMANO TX55	SHIMANO TY21	SHIMANO TY21
SHIFTERS	SHIMANO Altus (24)	SHIMANO Altus (21)	SHIMANO Altus (21)	SHIMANO Altus (21)	SHIMANO Revoshift (18)	SHIMANO Revoshift (18)
FREEWHEEL	SHIMANO HG31-8 11-32 (8)	SHIMANO MF-TZ21 14-28 (7)	SHIMANO MF-TZ21 14-28 (7)	SHIMANO MF-TZ21 14-28 (7)	SHIMANO MF-TZ20 14-28 (6)	SHIMANO MF-TZ20 14-28 (6)
CHAIN	KMC Z72	KMC Z51	KMC Z51	KMC Z51	KMC Z50	KMC Z50
HUBS	QUANDO 32 holes	QUANDO 36 holes	QUANDO 36 holes	QUANDO 36 holes	QUANDO 36 holes	QUANDO 36 holes
BRAKES	TEKTRO 855	TEKTRO 837	TEKTRO 837	TEKTRO 837	V brakes	V brakes
BRAKE LEVERS	SHIMANO Altus	SHIMANO Altus	SHIMANO ST-EF51	SHIMANO ST-EF51	plastic / alloy	plastic / alloy
RIMS	AUTHOR Argon 32 holes	alloy 36 holes	alloy 36 holes	alloy 36 holes	alloy 36 holes	alloy 36 holes
SPOKES	steel	steel	steel	steel	steel	steel
TIRES	AUTHOR Speed Master 26" x 2.00"	AUTHOR Speed Master 26" x 2.00"	AUTHOR Rocket 26" x 2.10"	AUTHOR Speed Master 26" x 2.00"	AUTHOR Speed Master 26" x 2.00"	AUTHOR Speed Master 26" x 2.00"
PEDALS	AUTHOR Non Slip resin	resin	resin	resin	resin	resin
HANDLEBAR	AUTHOR 25 mm 620 / 640 mm	steel 20 mm 640 mm	steel 20 mm 640 mm	steel 20 mm 640 mm	steel 20 mm 640 mm	steel 20 mm 640 mm
GRIPS	AUTHOR high density foam	AUTHOR high density foam	AUTHOR high density foam	AUTHOR high density foam	PVC	PVC
STEM	AUTHOR alloy	ZOOM alloy	ZOOM alloy	ZOOM alloy	steel	steel
SEAT POST	AUTHOR alloy (31.6)	ZOOM alloy (31.6)	steel (31.6)	steel (31.6)	steel (25.4)	steel (25.4)
SEAT CLAMP	AUTHOR (34.9)	AUTHOR (34.9)	AUTHOR (34.9)	AUTHOR (34.9)	-	-
SADDLE	AUTHOR Noble	AUTHOR Noble	AUTHOR	AUTHOR	AUTHOR	AUTHOR
SPEED	24	21	21	21	18	18
WEIGHT	13,8 kg / 18"	13,9 kg / 18"	14,6 kg / 19"	14,3 kg / 18"	16,3 kg / 19"	16,1 kg / 18"





	S/T c-t	T/T h	T/T a	H/T	C/S	W/B	S/T ang.	H/T ang.	F/L	B/B drop	B/B width	F/R
QUANTA*												
16"	406	570	577	120	420	1051	73,0	70,0	460	30	68	38
18"	457	595	600	130	420	1077	73,0	70,0	460	30	68	38
SPECTRA*												
16"	406	570	580	120	420	1051	73,0	70,0	460	30	68	38
18"	457	595	600	130	420	1077	73,0	70,0	460	30	68	38
OUTSET												
15"	381	560	541	130	420	1045	73,0	69,5	456	25	68	33
17"	432	585	561	135	420	1068	73,0	69,5	456	25	68	33
19"	483	610	587	140	420	1094	73,0	69,5	456	25	68	33
21"	533	635	618	145	420	1119	73,0	69,5	456	25	68	33
UNICA												
16"	406	570	580	130	420	1051	73,0	70,0	456	30	68	33
18"	457	595	600	130	420	1071	73,0	70,0	456	30	68	33
TROPHY												
17"	432	580	556	125	425	1053	73,0	71,0	452	38	68	38
19"	483	591	568	130	425	1065	73,0	71,0	452	38	68	38
21"	533	603	585	135	425	1076	73,0	71,0	452	38	68	38
VECTRA												
16"	406	582	586	120	425	1053	73,0	71,0	456	38	68	38
18"	457	592	594	120	425	1063	73,0	71,0	456	38	68	38

* - 1 1/8" semiintegrated head set PF 50 mm

PF - Press Fit

GEOMETRY TABLE LEGEND:

- S/T c-t - seat tube (center-top)
- T/T h - top tube horizontal
- T/T a - top tube actual
- H/T - head tube
- C/S - chain stay
- W/B - wheel base
- S/T ang. - seat tube angle
- H/T ang. - head tube angle
- F/L - fork length
- B/B drop - bottom bracket drop
- B/B width - bottom bracket width
- F/R - fork rake

Recommended frame size to the body height for each model you can find on our web site www.author.eu

CROSS

CO

OD

AL

CO



AUTHOR CARBON CROSS

The cross carbon frame for models SYNERGY and AVION got new styling and is offered in four sizes: 16, 18, 20 and 22".

Frame's Structural Elements

1. Post Mount (PM) interface on the rear chain stay prepared for 6" rotor
2. inner Cable Routing (ICR) for both derailleurs led through the top frame tube
3. the conical head tube compatible with the 1,5" fork's tapered steerer tube
4. application of the stainless steel stickers on the chain stay and down tube
5. holes in the bridges of both chain and seat stay, and a threaded hole in the frame drop out for fender stays



AVION model will from model year 2016 also equipped with hydraulic disc brakes.

AUTHOR ALLOY CROSS

In model year of 2016 we'll be offering new COMFORT CROSS GEOMETRY for new frame platforms AUTHOR alloy CROSS in the RESPECT and LOGIC level. The main features of this new cross geometry are longer top tube combined with shorter stem, longer head tube and lower BB shell. The name itself indicates this is a very comfortable and entertaining geometry.

RESPECT frame platform (models CODEX, AIRLINE, MISSION, GRAND, REFLEX, STRATOS, CORSA and VISTA) will have a new frame made of alloy, and a completely new design. The frame's chain stay is equipped with the integrated interface for International Standard (IS) disc mount and kick stand.

With the platform LOGIC (models CLASSIC, VERTIGO, METEOR, HORIZON, COMPACT, INTEGRA, LINEA and THEMA) this geometry is applied to the new frame, whose basic feature is the round shape of tubes. Threaded eye lets on the rear stay for carrier and mudguard stays are matter of course.

Cross bikes on alloy frames use again the well-proven alloy 6061 frame's material. That is either triple or double butted or plain gauge.





SHIMANO
3x10



| SYNERGY |

FRAME	Author C carbon monocoque 700c	SHIFTERS	Shimano LX, 30 speed
FORK	RST Vogue Air (60 mm travel)	BRAKES	Tektro Gemini (6")
CHAINWHEEL	Shimano LX (44-32-24 teeth), BB unit	TIRES	Author Panaracer Silk Road Cross kevlar 700 x 42c
REAR DERAILLEUR	Shimano XT	COLOR	Matte Carbon / Neon Yellow



| AVION |

FRAME	Author C carbon monocoque 700c	SHIFTERS	Shimano Alivio, 27 speed
FORK	RST Vogue Air (60 mm travel)	BRAKES	Tektro Gemini (6")
CHAINWHEEL	Shimano Alivio (44-32-22 teeth), BB unit	TIRES	Author Panaracer Silk Road Cross kevlar 700 x 42c
REAR DERAILLEUR	Shimano Alivio	COLOR	Matte Carbon / Caribbean Green



SHIMANO
3x10



| CODEX |

FRAME	triple butted alloy 6061 700c	SHIFTERS	Shimano LX, 30 speed
FORK	RST Vogue Air (60 mm travel)	BRAKES	Tektro Gemini (6")
CHAINWHEEL	Shimano Deore (44-32-24 teeth), BB unit	TIRES	Author Panaracer Silk Road Cross kevlar 700 x 42c
REAR DERAILLEUR	Shimano XT	COLOR	Matte Phantom Black / Caribbean Green

SHIMANO
3x10



| AIRLINE |

FRAME	triple butted alloy 6061 700c	SHIFTERS	Shimano Deore, 30 speed
FORK	RST Vita TnL (60 mm travel)	BRAKES	Tektro Gemini (6")
CHAINWHEEL	Shimano Deore (44-32-24 teeth), BB unit	TIRES	Author Panaracer Silk Road Cross 700 x 42c
REAR DERAILLEUR	Shimano Deore	COLOR	Extreme White / Grande Azzuro / Phantom Black



| MISSION |

FRAME	triple butted alloy 6061 700c	SHIFTERS	Shimano Alivio, 27 speed
FORK	RST Vita TnL (60 mm travel)	BRAKES	Tektro Gemini (6")
CHAINWHEEL	Shimano (44-32-22 teeth)	TIRES	Author Panaracer Silk Road Cross 700 x 42c
REAR DERAILLEUR	Shimano Alivio	COLOR	Matte Temple Grey / Lime



| GRAND |

FRAME	alloy 6061 700c	SHIFTERS	Shimano Acera, 24 speed
FORK	RST Nova ML (60 mm travel)	BRAKES	Tektro Vela (6")
CHAINWHEEL	Suntour XCE (48-38-28 teeth)	TIRES	Author Panaracer Silk Road Cross 700 x 42c
REAR DERAILLEUR	Shimano Acera	COLOR	Matte Phantom Black / Caribbean Green



| REFLEX [A] |

FRAME	alloy 6061 700c	SHIFTERS	Shimano Alivio, 27 speed
FORK	RST Nova ML (60 mm travel)	BRAKES	Tektro 857
CHAINWHEEL	Suntour NCX (48-38-28 teeth)	TIRES	Author Panaracer Silk Road Cross 700 x 42c
REAR DERAILLEUR	Shimano Alivio	COLOR A	Matte Temple Grey / Italian Sky



| REFLEX [B] |

FRAME	alloy 6061 700c	SHIFTERS	Shimano Alivio, 27 speed
FORK	RST Nova ML (60 mm travel)	BRAKES	Tektro 857
CHAINWHEEL	Suntour NCX (48-38-28 teeth)	TIRES	Author Panaracer Silk Road Cross 700 x 42c
REAR DERAILLEUR	Shimano Alivio	COLOR B	Extreme White / Author Red / Phantom Black



| CORSA [A] |

FRAME	alloy 6061 700c
FORK	RST Nova ML (60 mm travel)
CHAINWHEEL	Suntour NCX (44-32-22 teeth)
REAR DERAILLEUR	Shimano Alivio

SHIFTERS	Shimano Alivio, 27 speed
BRAKES	Tektro 857
TIRES	Author Panaracer Silk Road Cross 700 x 42c
COLOR A	Extreme White / Falling Leaf



| CORSA [B] |

FRAME	alloy 6061 700c
FORK	RST Nova ML (60 mm travel)
CHAINWHEEL	Suntour NCX (44-32-22 teeth)
REAR DERAILLEUR	Shimano Alivio

SHIFTERS	Shimano Alivio, 27 speed
BRAKES	Tektro 857
TIRES	Author Panaracer Silk Road Cross 700 x 42c
COLOR B	Matte Temple Grey / Suzy Pink



| STRATOS [A] |

FRAME	alloy 6061 700c	SHIFTERS	Shimano Acera, 24 speed
FORK	RST Nova ML (60 mm travel)	BRAKES	Tektro 857
CHAINWHEEL	Suntour XCE (48-38-28 teeth)	TIRES	Author Panaracer Silk Road Cross 700 x 42c
REAR DERAILLEUR	Shimano Acera	COLOR A	Matte Treasure Silver / Andaman Sea



| STRATOS [B] |

FRAME	alloy 6061 700c	SHIFTERS	Shimano Acera, 24 speed
FORK	RST Nova ML (60 mm travel)	BRAKES	Tektro 857
CHAINWHEEL	Suntour XCE (48-38-28 teeth)	TIRES	Author Panaracer Silk Road Cross 700 x 42c
REAR DERAILLEUR	Shimano Acera	COLOR B	Matte Temple Grey / Lime



| VISTA [A] |

FRAME	alloy 6061 700c	SHIFTERS	Shimano Revoshift, 24 speed
FORK	RST Nova ML (60 mm travel)	BRAKES	Tektro 857
CHAINWHEEL	Suntour XCE (42-34-24 teeth)	TIRES	Author Panaracer Silk Road Cross 700 x 42c
REAR DERAILLEUR	Shimano Acera	COLOR A	Matte Ritual Silver / Lime



| VISTA [B] |

FRAME	alloy 6061 700c	SHIFTERS	Shimano Revoshift, 24 speed
FORK	RST Nova ML (60 mm travel)	BRAKES	Tektro 857
CHAINWHEEL	Suntour XCE (42-34-24 teeth)	TIRES	Author Panaracer Silk Road Cross 700 x 42c
REAR DERAILLEUR	Shimano Acera	COLOR B	Extreme White / Suzy Pink / Phantom Black



| VERTIGO [A] |

FRAME	alloy 6061 700c	SHIFTERS	Shimano Acera, 24 speed
FORK	RST Nova ML (60 mm travel)	BRAKES	Tektro Vela (6")
CHAINWHEEL	Suntour XCE (48-38-28 teeth)	TIRES	Author Speed Master 700 x 42c
REAR DERAILLEUR	Shimano Acera	COLOR A	Matte Treasure Silver / Andaman Sea



| VERTIGO [B] |

FRAME	alloy 6061 700c	SHIFTERS	Shimano Acera, 24 speed
FORK	RST Nova ML (60 mm travel)	BRAKES	Tektro Vela (6")
CHAINWHEEL	Suntour XCE (48-38-28 teeth)	TIRES	Author Speed Master 700 x 42c
REAR DERAILLEUR	Shimano Acera	COLOR B	Matte Temple Grey / Kawa Green



| CLASSIC [A] |

FRAME	alloy 6061 700c	SHIFTERS	Shimano Acera, 24 speed
FORK	RST Neon ML (60 mm travel)	BRAKES	Tektro 855
CHAINWHEEL	Suntour XCE (48-38-28 teeth)	TIRES	Author Speed Master 700 x 42c
REAR DERAILEUR	Shimano Acera	COLOR A	Phantom Black / Caribbean Green



| CLASSIC [B] |

FRAME	alloy 6061 700c	SHIFTERS	Shimano Acera, 24 speed
FORK	RST Neon ML (60 mm travel)	BRAKES	Tektro 855
CHAINWHEEL	Suntour XCE (48-38-28 teeth)	TIRES	Author Speed Master 700 x 42c
REAR DERAILEUR	Shimano Acera	COLOR B	Matte Temple Grey / Mandarin



| INTEGRA [A] |

FRAME	alloy 6061 700c	SHIFTERS	Shimano Acera, 24 speed
FORK	RST Neon ML (60 mm travel)	BRAKES	Tektro 855
CHAINWHEEL	Suntour XCE (42-34-24 teeth)	TIRES	Author Speed Master 700 x 42c
REAR DERAILLEUR	Shimano Acera	COLOR A	Matte Temple Grey / Suzy Pink



| INTEGRA [B] |

FRAME	alloy 6061 700c	SHIFTERS	Shimano Acera, 24 speed
FORK	RST Neon ML (60 mm travel)	BRAKES	Tektro 855
CHAINWHEEL	Suntour XCE (42-34-24 teeth)	TIRES	Author Speed Master 700 x 42c
REAR DERAILLEUR	Shimano Acera	COLOR B	Extreme White / Falling Leaf



| METEOR [A] |

FRAME	alloy 6061 700c	SHIFTERS	Shimano Altus, 21 speed
FORK	RST Neon T (60 mm travel)	BRAKES	Tektro Aries (6')
CHAINWHEEL	Prowheel (48-38-28 teeth)	TIRES	Author Speed Master 700 x 42c
REAR DERAILEUR	Shimano Altus	COLOR A	Extreme White / Kalahari Sand



| METEOR [B] |

FRAME	alloy 6061 700c	SHIFTERS	Shimano Altus, 21 speed
FORK	RST Neon T (60 mm travel)	BRAKES	Tektro Aries (6')
CHAINWHEEL	Prowheel (48-38-28 teeth)	TIRES	Author Speed Master 700 x 42c
REAR DERAILEUR	Shimano Altus	COLOR B	Ritual Silver / Racing Red



| HORIZON [A] |

FRAME	alloy 6061 700c	SHIFTERS	Shimano Altus, 21 speed
FORK	RST Neon T (60 mm travel)	BRAKES	Tektro 855
CHAINWHEEL	Prowheel (48-38-28 teeth)	TIRES	Author Speed Master 700 x 42c
REAR DERAILLEUR	Shimano Altus	COLOR A	Mandarine / Phantom Black



| HORIZON [B] |

FRAME	alloy 6061 700c	SHIFTERS	Shimano Altus, 21 speed
FORK	RST Neon T (60 mm travel)	BRAKES	Tektro 855
CHAINWHEEL	Prowheel (48-38-28 teeth)	TIRES	Author Speed Master 700 x 42c
REAR DERAILLEUR	Shimano Altus	COLOR B	Matte Treasure Silver / Andaman Sea



| LINEA [A] |

FRAME	alloy 6061 700c
FORK	RST Neon T (60 mm travel)
CHAINWHEEL	Prowheel (42-34-24 teeth)
REAR DERAILLEUR	Shimano Altus

SHIFTERS	Shimano Altus, 21 speed
BRAKES	Tektro 855
TIRES	Author Speed Master 700 x 42c
COLOR A	Lotos Green / Ritual Silver



| LINEA [B] |

FRAME	alloy 6061 700c
FORK	RST Neon T (60 mm travel)
CHAINWHEEL	Prowheel (42-34-24 teeth)
REAR DERAILLEUR	Shimano Altus

SHIFTERS	Shimano Altus, 21 speed
BRAKES	Tektro 855
TIRES	Author Speed Master 700 x 42c
COLOR B	Persian Orange



| COMPACT [A] |

FRAME	alloy 6061 700c	SHIFTERS	Shimano Revoshift, 21 speed
FORK	RST Neon T (60 mm travel)	BRAKES	Tektro 855
CHAINWHEEL	Prowheel (48-38-28 teeth)	TIRES	Author Speed Master 700 x 42c
REAR DERAILLEUR	Shimano TX55	COLOR A	Matte Temple Grey / Kawa Green



| COMPACT [B] |

FRAME	alloy 6061 700c	SHIFTERS	Shimano Revoshift, 21 speed
FORK	RST Neon T (60 mm travel)	BRAKES	Tektro 855
CHAINWHEEL	Prowheel (48-38-28 teeth)	TIRES	Author Speed Master 700 x 42c
REAR DERAILLEUR	Shimano TX55	COLOR B	Extreme White / Navy Blue



| THEMA [A] |

FRAME	alloy 6061 700c	SHIFTERS	Shimano Revoshift, 21 speed
FORK	hi-ten	BRAKES	Tektro 855
CHAINWHEEL	Prowheel (42-34-24 teeth)	TIRES	Author Speed Master 700 x 42c
REAR DERAILEUR	Shimano TX55	COLOR A	Koala / Kalahari Sand



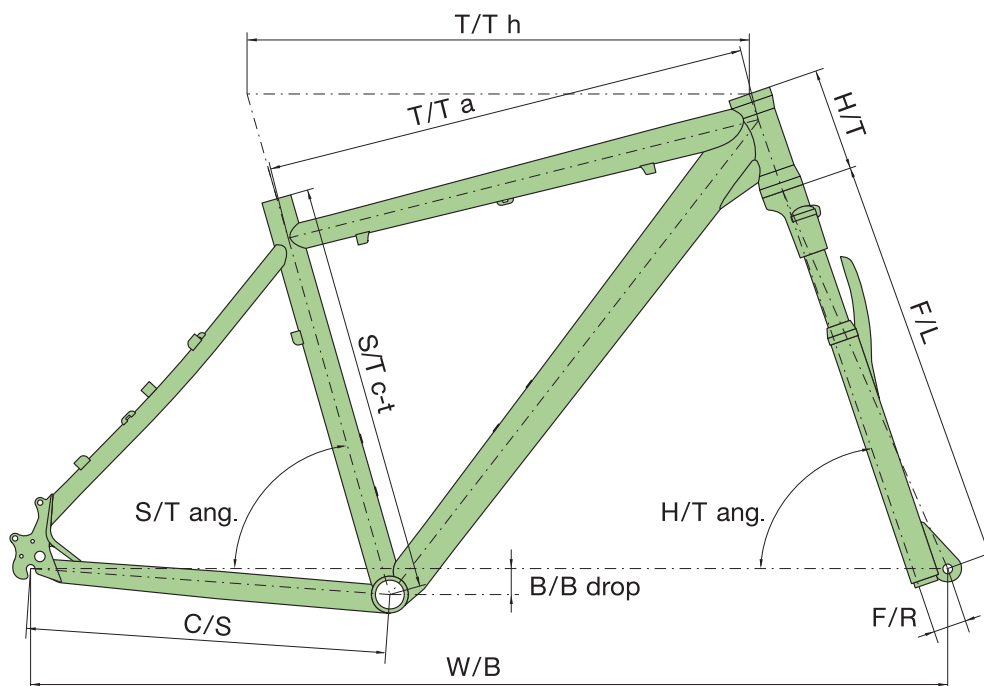
| THEMA [B] |

FRAME	alloy 6061 700c	SHIFTERS	Shimano Revoshift, 21 speed
FORK	hi-ten	BRAKES	Tektro 855
CHAINWHEEL	Prowheel (42-34-24 teeth)	TIRES	Author Speed Master 700 x 42c
REAR DERAILEUR	Shimano TX55	COLOR B	Matte Temple Grey / Suzy Pink

MODEL	SYNERGY	AVION	CODEX	AIRLINE	MISSION	REFLEX
SIZE	16", 18", 20", 22"	16", 18", 20", 22"	16", 18", 20", 22"	16", 18", 20", 22"	16", 18", 20", 22"	16", 18", 20", 22"
FRAME	AUTHOR C carbon monocoque 700c	AUTHOR C carbon monocoque 700c	triple butted alloy 6061 700c	triple butted alloy 6061 700c	triple butted alloy 6061 700c	alloy 6061 700c
FRONT FORK	RST Vogue Air air, lock out 1.5" tapered steerer (60 mm)	RST Vogue Air air, lock out 1.5" tapered steerer (60 mm)	RST Vogue Air air, lock out (60 mm)	RST Vita TnL oil, lock out (60 mm)	RST Vita TnL oil, lock out (60 mm)	RST Nova ML lock out (60 mm)
HEAD PARTS	AUTHOR Integrated 1.5" tapered	AUTHOR Integrated 1.5" tapered	AUTHOR Integrated 1-1/8"	AUTHOR Integrated 1-1/8"	AUTHOR Integrated 1-1/8"	AUTHOR Integrated 1-1/8"
CHAINWHEEL	SHIMANO LX 44-32-24 teeth 170 / 175 mm cranks	SHIMANO Alivio 44-32-22 teeth 170 / 175 mm cranks	SHIMANO Deore 44-32-24 teeth 170 / 175 mm cranks	SHIMANO Deore 44-32-24 teeth 170 / 175 mm cranks	SHIMANO T-4010 44-32-22 teeth 170 / 175 mm cranks	SUNTOUR NCX 48-38-28 teeth 170 / 175 mm cranks
B.B. PARTS	SHIMANO BB70 BB unit	SHIMANO BB52 BB unit	SHIMANO BB52 BB unit	SHIMANO BB52 BB unit	SHIMANO ES300 Octalink	SHIMANO UN100
FRONT DERAILLEUR	SHIMANO LX (34.9)	SHIMANO Alivio (34.9)	SHIMANO Deore (31.8)	SHIMANO Deore (31.8)	SHIMANO Altus (31.8)	SHIMANO Altus (31.8)
REAR DERAILLEUR	SHIMANO XT	SHIMANO Alivio	SHIMANO XT	SHIMANO Deore	SHIMANO Alivio	SHIMANO Alivio
SHIFTERS	SHIMANO LX (30)	SHIMANO Alivio (27)	SHIMANO LX (30)	SHIMANO Deore (30)	SHIMANO Alivio (27)	SHIMANO Alivio (27)
FREEWHEEL	SHIMANO HG50-10 11-36 (10)	SHIMANO HG400-9 11-34 (9)	SHIMANO HG50-10 11-36 (10)	SHIMANO HG50-10 11-36 (10)	SHIMANO HG300-9 11-34 (9)	SHIMANO HG300-9 11-34 (9)
CHAIN	SHIMANO HG54	SHIMANO HG53	SHIMANO HG54	SHIMANO HG54	SHIMANO HG53	SHIMANO HG53
HUBS	AUTHOR Xenon Disc 32 holes	AUTHOR Radon 32 holes	AUTHOR Xenon Disc 32 holes	AUTHOR Xenon Disc 32 holes	AUTHOR Xenon Disc 32 holes	AUTHOR 32 holes
BRAKES	TEKTRO Gemini disc hydraulic (6" rotors)	TEKTRO Gemini disc hydraulic (6" rotors)	TEKTRO Gemini disc hydraulic (6" rotors)	TEKTRO Gemini disc hydraulic (6" rotors)	TEKTRO Gemini disc hydraulic (6" rotors)	TEKTRO 857
BRAKE LEVERS	TEKTRO Gemini	TEKTRO Gemini	TEKTRO Gemini	TEKTRO Gemini	TEKTRO Gemini	SHIMANO Alivio
RIMS	AUTHOR Radon Cross 32 holes	AUTHOR Radon Cross 32 holes	AUTHOR Radon Cross 32 holes	AUTHOR Radon Cross 32 holes	AUTHOR Radon Cross 32 holes	AUTHOR Argon Cross 32 holes
SPOKES	black stainless steel 2.0 mm	black stainless steel 2.0 mm	black stainless steel 2.0 mm	black stainless steel 2.0 mm	black stainless steel 2.0 mm	black stainless steel 2.0 mm
TIRES	AUTHOR PANARACER Silk Road Cross kevlar 700 x 42c	AUTHOR PANARACER Silk Road Cross kevlar 700 x 42c	AUTHOR PANARACER Silk Road Cross kevlar 700 x 42c	AUTHOR PANARACER Silk Road Cross 700 x 42c	AUTHOR PANARACER Silk Road Cross 700 x 42c	AUTHOR PANARACER Silk Road Cross 700 x 42c
PEDALS	AUTHOR oneside clipless	AUTHOR oneside clipless	AUTHOR oneside clipless	AUTHOR alloy	AUTHOR alloy	AUTHOR alloy
HANDLEBAR	AUTHOR 15 mm 620 / 640 / 660 mm	AUTHOR 15 mm 620 / 640 / 660 mm	AUTHOR 15 mm 660 mm	AUTHOR 15 mm 660 mm	AUTHOR 15 mm 660 mm	AUTHOR 25 mm 660 mm
GRIPS	AUTHOR Luxus ErgoGrip	AUTHOR Luxus ErgoGrip	AUTHOR Luxus ErgoGrip	AUTHOR Luxus ErgoGrip	AUTHOR Luxus ErgoGrip	AUTHOR ErgoGrip
STEM	AUTHOR alloy	AUTHOR alloy	AUTHOR alloy	AUTHOR alloy	AUTHOR alloy	UNO adjustable
SEAT POST	AUTHOR alloy (27.2)	AUTHOR alloy (27.2)	AUTHOR alloy (27.2)	AUTHOR alloy (27.2)	AUTHOR alloy (27.2)	AUTHOR alloy (27.2)
SEAT CLAMP	AUTHOR (31.8)	AUTHOR (31.8)	AUTHOR (31.8)	AUTHOR (31.8)	AUTHOR (31.8)	AUTHOR (31.8)
SADDLE	AUTHOR Navigator	AUTHOR Navigator	AUTHOR Sphere Gel	AUTHOR Sphere Gel	AUTHOR Sphere Gel	AUTHOR Sphere Gel
SPEED	30	27	30	30	27	27
WEIGHT	11,4 kg / 20"	11,8 kg / 20"	12,2 kg / 20"	12,8 kg / 20"	13,2 kg / 20"	13,9 kg / 20"

MODEL	CORSA	GRAND	STRATOS	VISTA	VERTIGO	CLASSIC
SIZE	17", 19"	16", 18", 20", 22"	16", 18", 20", 22"	17", 19"	16", 18", 20", 22"	16", 18", 20", 22"
FRAME	hydroformed alloy 6061 700c (L)	hydroformed alloy 6061 700c	hydroformed alloy 6061 700c	hydroformed alloy 6061 700c (L)	alloy 6061 700c	alloy 6061 700c
FRONT FORK	RST Nova ML lock out (60 mm)	RST Nova ML lock out (60 mm)	RST Nova ML lock out (60 mm)	RST Nova ML lock out (60 mm)	RST Nova ML lock out (60 mm)	RST Neon ML lock out (60 mm)
HEAD PARTS	AUTHOR Integrated 1-1/8"	AUTHOR Integrated 1-1/8"	AUTHOR Integrated 1-1/8"	AUTHOR Integrated 1-1/8"	PRESTINE Integrated 1-1/8"	PRESTINE Integrated 1-1/8"
CHAINWHEEL	SUNTOUR NCX 44-32-22 teeth 170 mm cranks	SUNTOUR XCE 48-38-28 teeth 170 / 175 mm cranks	SUNTOUR XCE 48-38-28 teeth 170 / 175 mm cranks	SUNTOUR XCE 42-34-24 teeth 170 / 175 mm cranks	SUNTOUR XCE 48-38-28 teeth 170 / 175 mm cranks	SUNTOUR XCE 48-38-28 teeth 170 / 175 mm cranks
B.B. PARTS	SHIMANO UN100	SUNTOUR XCT cartridge	SUNTOUR XCT cartridge	SUNTOUR XCT cartridge	SUNTOUR XCT cartridge	SUNTOUR XCT cartridge
FRONT DERAILLEUR	SHIMANO Altus (31.8)	SHIMANO M191 (31.8)	SHIMANO M191 (31.8)	SHIMANO M190 (31.8)	SHIMANO TX51 (31.8)	SHIMANO TX51 (31.8)
REAR DERAILLEUR	SHIMANO Alivio	SHIMANO Acera	SHIMANO Acera	SHIMANO Acera	SHIMANO Acera	SHIMANO Acera
SHIFTERS	SHIMANO Alivio (27)	SHIMANO Acera (24)	SHIMANO Acera (24)	SHIMANO Revoshift (24)	SHIMANO Acera (24)	SHIMANO Acera (24)
FREEWHEEL	SHIMANO HG300-9 11-34 (9)	SHIMANO HG41-8 11-32 (8)	SHIMANO HG41-8 11-32 (8)	SHIMANO HG41-8 11-32 (8)	SHIMANO HG31-8 11-32 (8)	SHIMANO HG31-8 11-32 (8)
CHAIN	SHIMANO HG53	SHIMANO HG71	SHIMANO HG71	SHIMANO HG71	KMC Z72	KMC Z72
HUBS	AUTHOR 32 holes	QUANDO Disc 32 holes	QUANDO 32 holes	QUANDO 32 holes	QUANDO Disc 32 holes	QUANDO 32 holes
BRAKES	TEKTRO 857	TEKTRO Vela disc hydraulic (6" rotors)	TEKTRO 857	TEKTRO 857	TEKTRO Vela disc hydraulic (6" rotors)	TEKTRO 855
BRAKE LEVERS	SHIMANO Alivio	TEKTRO Vela	SHIMANO Acera	TEKTRO CL-530	TEKTRO Vela	SHIMANO Acera
RIMS	AUTHOR Argon Cross 32 holes	AUTHOR Radon Cross 32 holes	AUTHOR Argon Cross 32 holes	AUTHOR Argon Cross 32 holes	AUTHOR Radon Cross 32 holes	AUTHOR Argon Cross 32 holes
SPOKES	black stainless steel 2.0 mm	black stainless steel 2.0 mm	black stainless steel 2.0 mm	black stainless steel 2.0 mm	black steel	black steel
TIRES	AUTHOR PANARACER Silk Road Cross 700 x 42c	AUTHOR PANARACER Silk Road Cross 700 x 42c	AUTHOR PANARACER Silk Road Cross 700 x 42c	AUTHOR PANARACER Silk Road Cross 700 x 42c	AUTHOR Speed Master 700 x 42c	AUTHOR Speed Master 700 x 42c
PEDALS	AUTHOR Non Slip alloy	AUTHOR alloy	AUTHOR alloy	AUTHOR Non Slip alloy	AUTHOR Non Slip resin	AUTHOR Non Slip resin
HANDLEBAR	AUTHOR 20 mm 640 mm	AUTHOR 25 mm 660 mm	AUTHOR 25 mm 660 mm	AUTHOR 20 mm 640 mm	steel 20 mm 660mm	steel 20 mm 660mm
GRIPS	AUTHOR ErgoGrip	AUTHOR ErgoGrip	AUTHOR ErgoGrip	AUTHOR ErgoGrip	AUTHOR high density foam	AUTHOR high density foam
STEM	UNO adjustable	UNO adjustable	UNO adjustable	UNO adjustable	ZOOM adjustable	ZOOM adjustable
SEAT POST	AUTHOR alloy (27.2)	AUTHOR alloy (27.2)	AUTHOR alloy (27.2)	AUTHOR alloy (27.2)	AUTHOR alloy (27.2)	AUTHOR alloy (27.2)
SEAT CLAMP	AUTHOR (31.8)	AUTHOR (31.8)	AUTHOR (31.8)	AUTHOR (31.8)	AUTHOR (31.8)	AUTHOR (31.8)
SADDLE	AUTHOR Area Gel	AUTHOR Sphere Gel	AUTHOR Sphere Gel	AUTHOR Area Gel	AUTHOR Courier	AUTHOR Courier
SPEED	27	24	24	24	24	24
WEIGHT	13,9 kg / 19"	13,9 kg / 20"	13,6 kg / 20"	13,8 kg / 19"	14,2 kg / 20"	13,5 kg / 20"

MODEL	INTEGRA	METEOR	HORIZON	LINEA	COMPACT	THEMA
SIZE	17", 19"	16", 18", 20", 22"	16", 18", 20", 22"	17", 19"	18", 20", 22"	17", 19"
FRAME	alloy 6061 700c (L)	alloy 6061 700c	alloy 6061 700c	alloy 6061 700c (L)	alloy 6061 700c	alloy 6061 700c (L)
FRONT FORK	RST Neon ML lock out (60 mm)	RST Neon T (60 mm)	RST Neon T (60 mm)	RST Neon T (60 mm)	RST Neon T (60 mm)	hi-ten
HEAD PARTS	PRESTINE Integrated 1-1/8"	PRESTINE Integrated 1-1/8"	PRESTINE Integrated 1-1/8"	PRESTINE Integrated 1-1/8"	VP COMP 1-1/8"	VP COMP 1-1/8"
CHAINWHEEL	SUNTOUR XCE 42-34-24 teeth 170 cranks	PROWHEEL 48-38-28 teeth 170 / 175 mm cranks	PROWHEEL 48-38-28 teeth 170 / 175 mm cranks	PROWHEEL 42-34-24 teeth 170 mm cranks	PROWHEEL 48-38-28 teeth 170 mm cranks	PROWHEEL 42-34-24 teeth 170 mm cranks
B.B. PARTS	SUNTOUR XCT cartridge	VP COMP cartridge	VP COMP cartridge	VP COMP cartridge	VP COMP cartridge	VP COMP cartridge
FRONT DERAILLEUR	SHIMANO TX50 (31.8)	SHIMANO TX51 (31.8)	SHIMANO TX51 (31.8)	SHIMANO TX50 (31.8)	SHIMANO TX51 (31.8)	SHIMANO TX50 (31.8)
REAR DERAILLEUR	SHIMANO Acera	SHIMANO Altus	SHIMANO Altus	SHIMANO Altus	SHIMANO TX55	SHIMANO TX55
SHIFTERS	SHIMANO Acera (24)	SHIMANO Altus (21)	SHIMANO Altus (21)	SHIMANO Altus (21)	SHIMANO Revoshift (21)	SHIMANO Revoshift (21)
FREEWHEEL	SHIMANO HG31-8 11-32 (8)	SHIMANO HG20-7 12-32 (7)	SHIMANO HG20-7 12-32 (7)	SHIMANO HG20-7 12-32 (7)	SHIMANO MF-TZ21 14-28 (7)	SHIMANO MF-TZ21 14-28 (7)
CHAIN	KMC Z72	KMC Z51	KMC Z51	KMC Z51	KMC Z51	KMC Z51
HUBS	QUANDO 32 holes	QUANDO Disc 32 holes	QUANDO 32 holes	QUANDO 32 holes	QUANDO 36 holes	QUANDO 36 holes
BRAKES	TEKTRO 855	TEKTRO Aries disc mechanical (6" rotors)	TEKTRO 855	TEKTRO 855	TEKTRO 855	TEKTRO 855
BRAKE LEVERS	SHIMANO Acera	SHIMANO Altus	SHIMANO Altus	SHIMANO Altus	TEKTRO plastic / alloy	TEKTRO plastic / alloy
RIMS	AUTHOR Argon Cross 32 holes	AUTHOR Radon Cross 32 holes	alloy 32 holes	alloy 32 holes	alloy 36 holes	alloy 36 holes
SPOKES	black steel	black steel	black steel	black steel	steel	steel
TIRES	AUTHOR Speed Master 700 x 42c	AUTHOR Speed Master 700 x 42c	AUTHOR Speed Master 700 x 42c	AUTHOR Speed Master 700 x 42c	AUTHOR Speed Master 700 x 42c	AUTHOR Speed Master 700 x 42c
PEDALS	AUTHOR Non Slip resin	AUTHOR Non Slip resin	AUTHOR Non Slip resin	AUTHOR Non Slip resin	resin	resin
HANDLEBAR	steel 20 mm 640 mm	steel 20 mm 660mm	steel 20 mm 660mm	steel 20 mm 640 mm	steel 20 mm 660mm	steel 20 mm 640 mm
GRIPS	AUTHOR high density foam	AUTHOR high density foam	AUTHOR high density foam	AUTHOR high density foam	AUTHOR high density foam	AUTHOR high density foam
STEM	ZOOM adjustable	ZOOM alloy	ZOOM alloy	ZOOM alloy	ZOOM alloy	ZOOM alloy
SEAT POST	AUTHOR alloy (27.2)	ZOOM alloy (27.2)	ZOOM alloy (27.2)	ZOOM alloy (27.2)	ZOOM alloy (27.2)	ZOOM alloy (27.2)
SEAT CLAMP	AUTHOR (31.8)	AUTHOR (31.8)	AUTHOR (31.8)	AUTHOR (31.8)	AUTHOR (31.8)	AUTHOR (31.8)
SADDLE	AUTHOR Noble	AUTHOR Courier	AUTHOR Courier	AUTHOR Noble	AUTHOR Courier	AUTHOR Noble
SPEED	24	21	21	21	21	21
WEIGHT	13,4 kg / 19"	13,8 kg / 20"	13,2 kg / 20"	12,9 kg / 19"	13,8 kg / 20"	12,9 kg / 19"



	S/T c-t	T/T h	T/T a	H/T	C/S	W/B	S/T ang.	H/T ang.	F/L	B/B drop	B/B width	F/R
SYNERGY* T 1,5" DI / AVION* T 1,5" DI												
16"	410	553	533	120	440	1047	73.0	71.0	470	45	73	46
18"	461	560	537	130	440	1054	73.0	71.0	470	45	73	46
20"	512	583	559	145	440	1077	73.0	71.0	470	45	73	46
22"	563	605	580	160	440	1100	73.0	71.0	470	45	73	46
CODEX* / AIRLINE* / MISSION* / GRAND* / REFLEX* / STRATOS*												
16"	406	560	548	130	440	1045	73.0	71.0	470	60	68	44
18"	457	580	560	150	440	1066	73.0	71.0	470	60	68	44
20"	508	600	576	170	440	1087	73.0	71.0	470	60	68	44
22"	559	620	594	180	440	1107	73.0	71.0	470	60	68	44
CLASSIC*												
16"	406	560	547	130	440	1045	73.0	71.0	473	60	68	42
18"	457	580	560	150	440	1064	73.0	71.0	473	60	68	42
20"	508	600	575	170	440	1085	73.0	71.0	473	60	68	42
22"	559	620	594	180	440	1105	73.0	71.5	473	60	68	42
VERTIGO* / METEOR*												
16"	406	560	547	130	440	1045	73.0	71.0	473	60	68	42
18"	457	580	560	150	440	1064	73.0	71.0	473	60	68	42
20"	508	600	575	170	440	1085	73.0	71.0	473	60	68	42
22"	559	620	594	180	440	1105	73.0	71.5	473	60	68	42
HORIZON*												
16"	406	560	551	130	440	1061	74.0	70.5	473	60	68	42
18"	457	580	562	150	440	1076	73.5	70.5	473	60	68	42
20"	508	600	577	170	440	1091	73.5	71.0	473	60	68	42
22"	559	620	594	180	440	1099	73.0	71.5	473	60	68	42
COMPACT												
18"	457	580	559	120	440	1075	73.5	70.5	473	60	68	42
20"	508	600	577	140	440	1090	73.5	71.0	473	60	68	42
22"	559	620	595	160	440	1099	73.0	71.5	413	60	68	42

* t 1,5" DI - semiintegrated head set 1,5" tapered DI
 * - 1 1/8" semiintegrated head set PF 50 mm

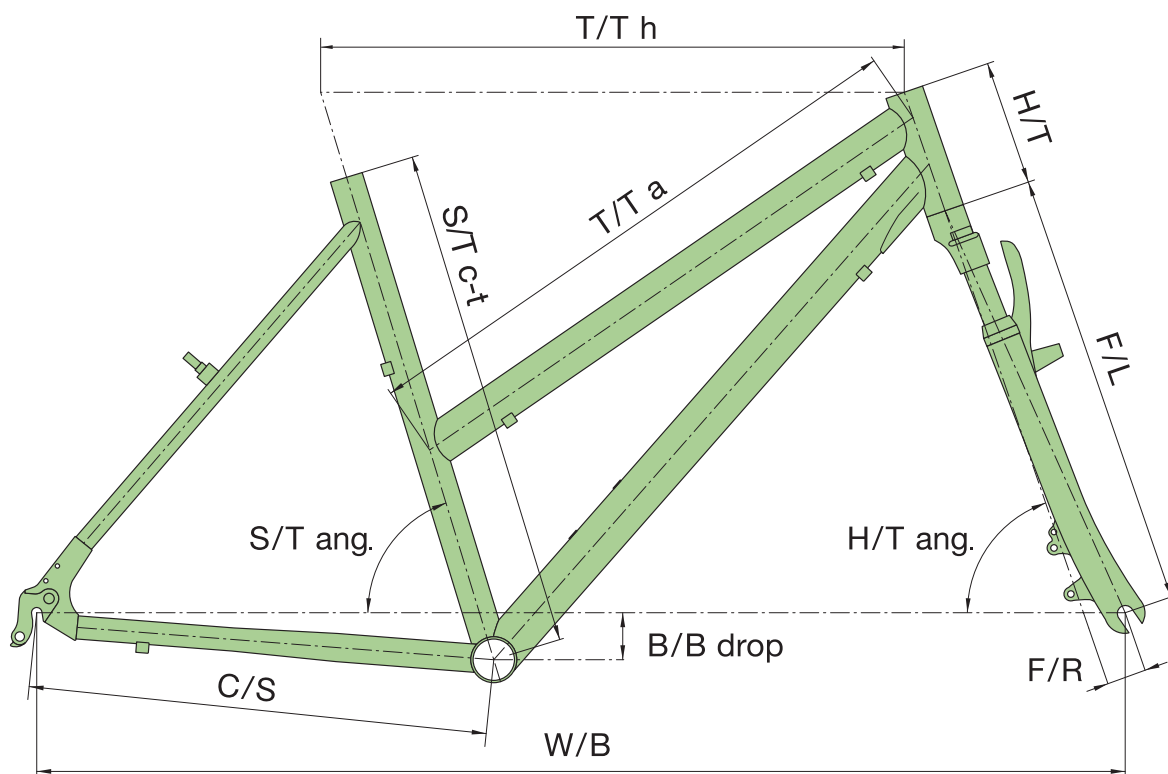
DI - Drop In
 PF - Press Fit

GEOMETRY TABLE LEGEND:

- S/T c-t - seat tube (center-top)
- T/T h - top tube horizontal
- T/T a - top tube actual
- H/T - head tube
- C/S - chain stay
- W/B - wheel base,
- S/T ang. - seat tube angle
- H/T ang. - head tube angle,
- F/L - fork length
- B/B drop - bottom bracket drop
- B/B width - bottom bracket width,
- F/R - fork rake

Recommended frame size to the body height for each model you can find on our web site www.author.eu





	S/T c-t	T/T h	T/T a	H/T	C/S	W/B	S/T ang.	H/T ang.	F/L	B/B drop	B/B width	F/R
CORSA* / VISTA*												
17"	432	565	602	140	440	1062	73.5	70.5	470	60	68	44
19"	483	585	621	150	440	1083	73.5	70.5	470	60	68	44
INTEGRA*												
17"	432	565	593	140	440	1063	73.5	70.5	470	60	68	44
19"	483	585	612	150	440	1083	73.5	70.5	470	60	68	44
LINEA*												
17"	432	565	593	140	440	1061	73.5	70.5	473	60	68	42
19"	483	585	612	150	440	1081	73.5	70.5	473	60	68	42
THEMA												
17"	432	565	577	140	440	1061	73.5	70.5	423	60	68	45
19"	483	585	599	155	440	1080	73.5	70.5	423	60	68	45

* - 1 1/8" semintegrated head set PF 50 mm

PF - Press Fit

GEOMETRY TABLE LEGEND:

- S/T c-t - seat tube (center-top)
- T/T h - top tube horizontal
- T/T a - top tube actual
- H/T - head tube
- C/S - chain stay
- W/B - wheel base
- S/T ang. - seat tube angle
- H/T ang. - head tube angle
- F/L - fork length
- B/B drop - bottom bracket drop
- B/B width - bottom bracket width,
- F/R - fork rake

Recommended frame size to the body height for each model you can find on our web site www.author.eu

CROSS ASL



cross
asl



AUTHOR ALLOY CROSS ASL

4 models CODEX ASL GRAND ASL, STRATOS ASL and HORIZON ASL created for sportsmanlike girls who are not interested in a men's cross model, refusing to put up with a women's cross frame. In model year of 2016 we'll be offering new COMFORT CROSS GEOMETRY for new frame platforms AUTHOR alloy CROSS in the RESPECT and LOGIC level. The main features of this new cross geometry are longer top tube combined with shorter stem, longer head tube and lower BB shell. The name itself indicates this is a very comfortable and entertaining geometry for sporty oriented women.

3 models CODEX ASL, GRAND ASL, STRATOS ASL will have a new frame made of alloy, and a completely new design. The frame's chain stay is equipped with the integrated interface for International Standard (IS) disc mount and kick stand.

For HORIZON ASL this geometry is applied to the new frame, whose basic feature is the round shape of tubes. Threaded eye lets on the rear stay for carrier and mudguard stays are matter of course.

Above mentioned models have a new convexly bended frame top tube and they will be offered recently in 15" size, and then in 2 other frame sizes: 17 a 19".



SHIMANO
3x10



| CODEX ASL |

FRAME	triple butted alloy 6061 700c (ASL)	SHIFTERS	Shimano LX, 30 speed
FORK	RST Vogue Air (60 mm travel)	BRAKES	Tektro Gemini WS (6")
CHAINWHEEL	Shimano Deore (44-32-24 teeth), BB unit	TIRES	Author Panaracer Silk Road Cross kevlar 700 x 42c
REAR DERAILEUR	Shimano XT	COLOR	Matte Phantom Black / Lime



| GRAND ASL |

FRAME	alloy 6061 700c (ASL)	SHIFTERS	Shimano Acera, 24 speed
FORK	RST Nova ML (60 mm travel)	BRAKES	Tektro Vela (6")
CHAINWHEEL	Suntour XCE (42-34-24 teeth)	TIRES	Author Panaracer Silk Road Cross 700 x 42c
REAR DERAILEUR	Shimano Acera	COLOR	Matte Temple Grey / Suzy Pink





| STRATOS ASL [A] |

FRAME	alloy 6061 700c (ASL)	SHIFTERS	Shimano Acera, 24 speed
FORK	RST Nova ML (60 mm travel)	BRAKES	Tektro 857
CHAINWHEEL	Suntour XCE (42-34-24 teeth)	TIRES	Author Panaracer Silk Road Cross 700 x 42c
REAR DERAILLEUR	Shimano Acera	COLOR A	Extreme White / Raspberry Red / Phantom Black



| STRATOS ASL [B] |

FRAME	alloy 6061 700c (ASL)	SHIFTERS	Shimano Acera, 24 speed
FORK	RST Nova ML (60 mm travel)	BRAKES	Tektro 857
CHAINWHEEL	Suntour XCE (42-34-24 teeth)	TIRES	Author Panaracer Silk Road Cross 700 x 42c
REAR DERAILLEUR	Shimano Acera	COLOR B	Matte Temple Grey / Italian Sky



| HORIZON ASL [A] |

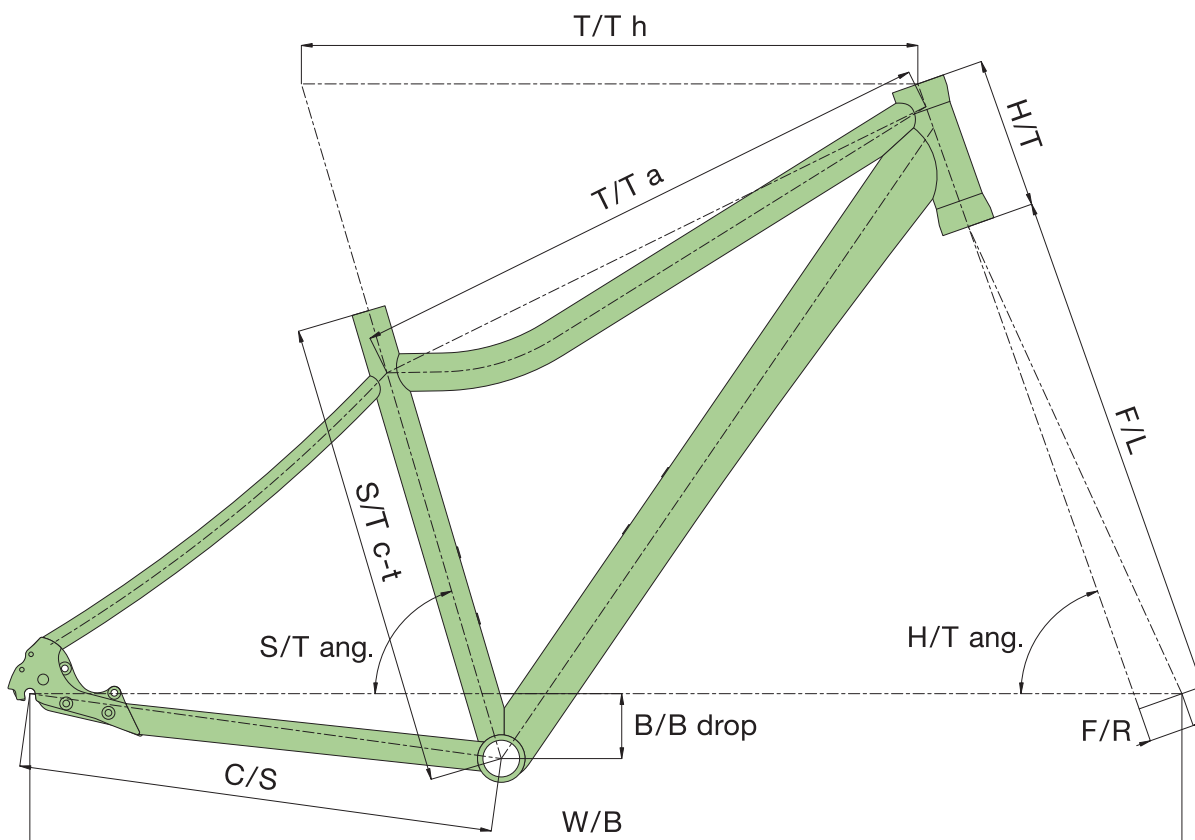
FRAME	alloy 6061 700c (ASL)	SHIFTERS	Shimano Altus, 21 speed
FORK	RST Neon T (60 mm travel)	BRAKES	Tektro 855
CHAINWHEEL	Prowheel (42-34-24 teeth)	TIRES	Author Speed Master 700 x 42c
REAR DERAILEUR	Shimano Altus	COLOR A	Extreme White / Raspberry Red



| HORIZON ASL [B] |

FRAME	alloy 6061 700c (ASL)	SHIFTERS	Shimano Altus, 21 speed
FORK	RST Neon T (60 mm travel)	BRAKES	Tektro 855
CHAINWHEEL	Prowheel (42-34-24 teeth)	TIRES	Author Speed Master 700 x 42c
REAR DERAILEUR	Shimano Altus	COLOR B	Matte Phantom Black / Lime

MODEL	CODEX ASL	GRAND ASL	STRATOS ASL	HORIZON ASL
SIZE	15", 17", 19"	15", 17", 19"	15", 17", 19"	15", 17", 19"
FRAME	triple butted hydroformed alloy 6061 700c (ASL)	hydroformed alloy 6061 700c (ASL)	hydroformed alloy 6061 700c (ASL)	alloy 6061 700c (ASL)
FRONT FORK	RST Vogue Air air, lock out (60 mm)	RST Nova ML lock out (60 mm)	RST Nova ML lock out (60 mm)	RST Neon T (60 mm)
HEAD PARTS	AUTHOR Integrated 1-1/8"	AUTHOR Integrated 1-1/8"	AUTHOR Integrated 1-1/8"	PRESTINE Integrated 1-1/8"
CHAINWHEEL	SHIMANO Deore 44-32-24 teeth 170 / 175 mm cranks	SUNTOUR XCE 42-34-24 teeth 170 / 175 mm cranks	SUNTOUR XCE 42-34-24 teeth 170 / 175 mm cranks	PROWHEEL 42-34-24 teeth 170 / 175 mm cranks
B.B. PARTS	SHIMANO BB52 BB unit	SUNTOUR XCT cartridge	SUNTOUR XCT cartridge	VP COMP cartridge
FRONT DERAILLEUR	SHIMANO Deore (31.8)	SHIMANO M190 (31.8)	SHIMANO M190 (31.8)	SHIMANO TX50 (31.8)
REAR DERAILLEUR	SHIMANO XT	SHIMANO Acera	SHIMANO Acera	SHIMANO Altus
SHIFTERS	SHIMANO LX (30)	SHIMANO Acera (24)	SHIMANO Acera (24)	SHIMANO Altus (21)
FREEWHEEL	SHIMANO HG50-10 11-36 (10)	SHIMANO HG41-8 11-32 (8)	SHIMANO HG41-8 11-32 (8)	SHIMANO HG20-7 12-32 (7)
CHAIN	SHIMANO HG54	SHIMANO HG71	SHIMANO HG71	KMC Z51
HUBS	AUTHOR Xenon Disc 32 holes	QUANDO Disc 32 holes	QUANDO 32 holes	QUANDO 32 holes
BRAKES	TEKTRO Gemini disc hydraulic (6" rotors)	TEKTRO Vela disc hydraulic (6" rotors)	TEKTRO 857	TEKTRO 855
BRAKE LEVERS	TEKTRO Gemini WS	TEKTRO Vela	SHIMANO Acera	SHIMANO Altus
RIMS	AUTHOR Radon Cross 32 holes	AUTHOR Radon Cross 32 holes	AUTHOR Argon Cross 32 holes	alloy 32 holes
SPOKES	black stainless steel 2.0 mm	black stainless steel 2.0 mm	black stainless steel 2.0 mm	black steel
TIRES	AUTHOR PANARACER Silk Road Cross kevlar 700 x 42c	AUTHOR PANARACER Silk Road Cross 700 x 42c	AUTHOR PANARACER Silk Road Cross 700 x 42c	AUTHOR Speed Master 700 x 42c
PEDALS	AUTHOR oneseid clipless	AUTHOR Non Slip alloy	AUTHOR Non Slip alloy	AUTHOR Non Slip resin
HANDLEBAR	AUTHOR 15 mm 640 / 660 mm	AUTHOR 20 mm 640 / 660 mm	AUTHOR 20 mm 640 / 660 mm	AUTHOR 20 mm 640 / 660 mm
GRIPS	AUTHOR Luxus ErgoGrip	AUTHOR ErgoGrip	AUTHOR ErgoGrip	AUTHOR high density foam
STEM	AUTHOR alloy	UNO adjustable	UNO adjustable	ZOOM alloy
SEAT POST	AUTHOR alloy (27.2)	AUTHOR alloy (27.2)	AUTHOR alloy (27.2)	ZOOM alloy (27.2)
SEAT CLAMP	AUTHOR (31.8)	AUTHOR (31.8)	AUTHOR (31.8)	AUTHOR (31.8)
SAADDLE	AUTHOR Area Gel	AUTHOR Area Gel	AUTHOR Area Gel	AUTHOR Noble
SPEED	30	24	24	21
WEIGHT	12,4 kg / 17"	13,9 kg / 17"	13,6 kg / 17"	12,9 kg / 17"



	S/T c-t	T/T h	T/T a	H/T	C/S	W/B	S/T ang.	H/T ang.	F/L	B/B drop	B/B width	F/R
CODEX ASL* / GRAND ASL* / STRATOS ASL*												
15"	381	550	546	130	440	1047	73.5	70.5	473	60	68	44
17"	432	570	556	140	440	1067	73.5	70.5	473	60	68	44
19"	483	590	569	150	440	1088	73.5	70.5	473	60	68	44
HORIZON ASL*												
15"	381	550	546	130	440	1047	73.5	70.5	473	60	68	44
17"	432	570	556	140	440	1067	73.5	70.5	473	60	68	44
19"	483	590	569	150	440	1088	73.5	70.5	473	60	68	44

* - 1 1/8" semiintegrated head set PF 50 mm

PF - Press Fit

GEOMETRY TABLE LEGEND:

- S/T c-t - seat tube (center-top)
- T/T h - top tube horizontal
- T/T a - top tube actual
- H/T - head tube
- C/S - chain stay
- W/B - wheel base
- S/T ang. - seat tube angle
- H/T ang. - head tube angle
- F/L - fork length
- B/B drop - bottom bracket drop
- B/B width - bottom bracket width
- F/R - fork rake

Recommended frame size to the body height for each model you can find on our web site www.author.eu

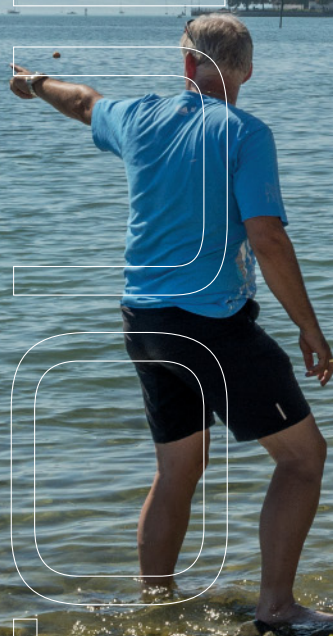


CROSS ASL



CO
CO
CO
EL
CO

E-TOURING



AUTHOR TOURING E-BIKES

The core for our e-bikes as well as for other categories is a frame. We used well-proven one for couple years from touring category. We have tried to make our own design and philosophy of frames that would be not only fully functional but also interesting for its design and frame tube profiles. Thanks to our own design, we had to get new tube moulds to be opened. We call this technology as **ALLOY 6061 HYDROFORM DESIGN**.

The technology was originally used for hydroform shaping of aluminium tubes for three frame platforms but for our new e-bikes we used only 2 of them:

1. Touring Man frame – we build on it the model ELEMENT
2. Touring LST – Low Step Through – we build on it the model ELECTRA

The men's frame was designed especially with the concern of comfortable seating, strenght and rigidity.

Women's frame is designed with a focus on comfortable getting on the bike and seating as well.

The frames are equipped with all components usual in touring bicycles – threaded eyes for a bicycle carrier and an integrated lock in the seat stay and the chain stay and threads in the frame drop outs for installation of mudguard stays. There is also a base for installation of a stand behind the bottom bracket shell. The chain stay is equipped with a lug for installation of a chain and crank set full cover guard. All frames have threaded eyes for installation of a bottle holder. Additionally to all these touring frame details we also add the frame's element which are needed for e-bikes. Especially frame adjustments for electric cables routing and battery holder. That means frame cables entry and exit and also special seat tube cover for hiding them.

For our e-bike electric support we've decided to use Japanese brand SR Suntour. For model year 2015 this system has gotten many new upgrades in many ways. Especially there is ultraprecise torque moment sensor's sensing which is actually also the name of this new technology ATS = Active Torque Sensor. New is also infrared [accurate] signal transferred to the controller and motor with the freewheel function inside [no friction] as well as display with remote switch box and Walk assist button.

System is powered by 250W, 36V engine, LCD display and 36V, 290WH/ 8,0Ah Li-Ion Sanyo battery.





| ELEMENT |

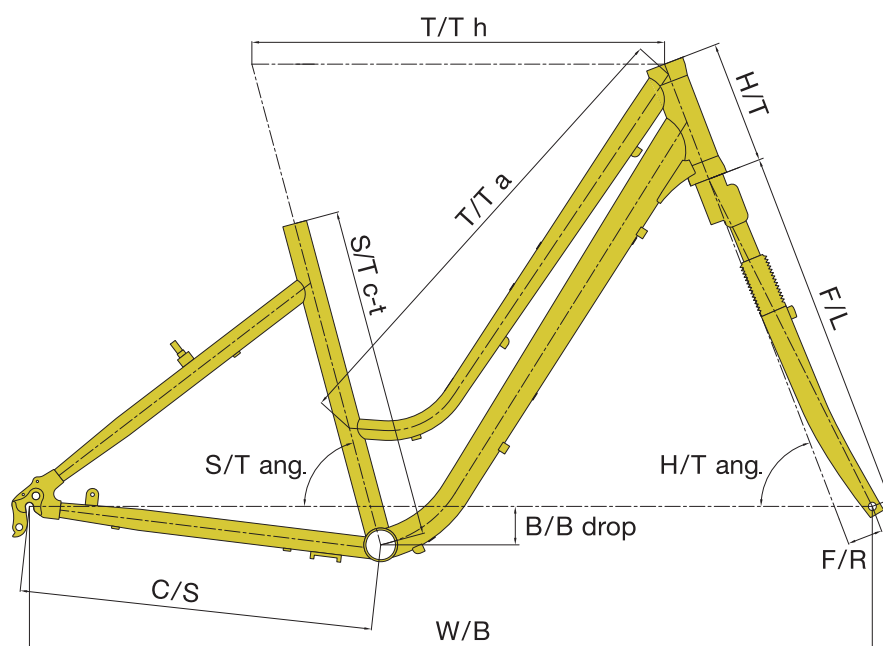
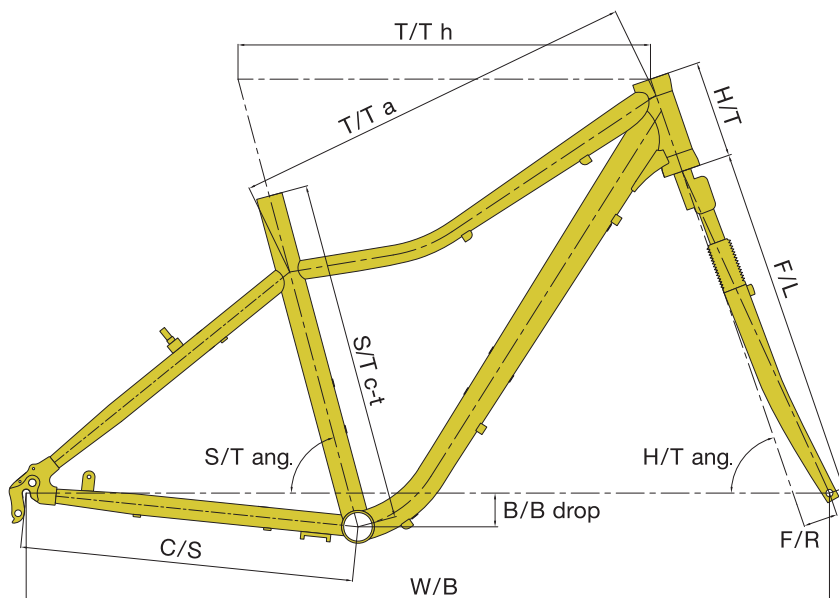
FRAME	alloy 6061 700c	REAR DERAILLEUR	Shimano Acera
FORK	Suntour SF13-NVX-HE (63 mm travel)	SHIFTERS	Shimano Acera, 8 speed
CHAINWHEEL	Suntour EBCW (42 teeth)	BRAKES	Tektro 857
MOTOR	Suntour 250W	HUBS	Suntour / Quando
BATTERY	Sanyo Li-Ion 36 V, 8.0 Ah, 290 Wh	TIRES	700 x 42c
DISPLAY	LCD	COLOR	Matte Phantom Black / Kawa Green



| ELECTRA |

FRAME	alloy 6061 700c	REAR DERAILLEUR	Shimano Acera
FORK	Suntour SF13-NVX-HE (63 mm travel)	SHIFTERS	Shimano Acera, 8 speed
CHAINWHEEL	Suntour EBCW (42 teeth)	BRAKES	Tektro 857
MOTOR	Suntour 250W	HUBS	Suntour / Quando
BATTERY	Sanyo Li-Ion 36 V, 8.0 Ah, 290 Wh	TIRES	700 x 42c
DISPLAY	LCD	COLOR	Matte Treasure Silver / Tibet Sand / Phantom Black

MODEL	ELEMENT	ELECTRA
SIZE	18", 20", 22"	17", 19"
FRAME	alloy 6061 700c	alloy 6061 700c (L)
FRONT FORK	SUNTOUR SF13-NVX-HE (63 mm)	SUNTOUR SF13-NVX-HE (63 mm)
ENGINE	SUNTOUR 250W	SUNTOUR 250W
BATTERY	SANYO Li-Ion 36 V, 8.0 Ah, 290 Wh	SANYO Li-Ion 36 V, 8.0 Ah, 290 Wh
DISPLAY	LCD	LCD
HEAD PARTS	PRESTINE Integrated 1"	PRESTINE Integrated 1"
CHAINWHEEL	SUNTOUR EBCW 42 teeth 170 mm cranks	SUNTOUR EBCW 42 teeth 170 mm cranks
B.B. PARTS	SUNTOUR EBCW	SUNTOUR EBCW
FRONT DERAILLEUR	-	-
REAR DERAILLEUR	SHIMANO Acera	SHIMANO Acera
SHIFTERS	SHIMANO Acera (8)	SHIMANO Acera (8)
FREEWHEEL	SHIMANO HG31-8 11-32 (8)	SHIMANO HG31-8 11-32 (8)
CHAIN	SHIMANO HG-40	SHIMANO HG-40
HUBS	SUNTOUR 36 holes QUANDO 36 holes	SUNTOUR 36 holes QUANDO 36 holes
BRAKES	TEKTRO 857AL	TEKTRO 857AL
BRAKE LEVERS	TEKTRO EL-520	TEKTRO EL-520
RIMS	AUTHOR Argon Cross 36 holes	AUTHOR Argon Cross 36 holes
SPOKES	black stainless steel 2.0 mm	black stainless steel 2.0 mm
TIRES	CST reflexive stripes 700 x 42c	CST reflexive stripes 700 x 42c
PEDALS	AUTHOR Non Slip alloy	AUTHOR Non Slip alloy
HANDLEBAR	KALLOY alloy 45 mm 620 mm	KALLOY alloy 45 mm 620 mm
GRIPS / TAPES	AUTHOR ErgoGrip	AUTHOR ErgoGrip
STEM	UNO adjustable	UNO adjustable
SEAT POST	UNO suspension (27.2)	UNO suspension (27.2)
SEAT CLAMP	AUTHOR (31.8)	AUTHOR (31.8)
SADDLE	AUTHOR King Sofa	AUTHOR Queen Sofa
SPEED	8	8
HMDTNDST	23,6 kg / 20"	23,9 kg / 19"



	S/T c-t	T/T h	T/T a	H/T	C/S	W/B	S/T ang.	H/T ang.	F/L	B/B drop	B/B width	F/R
ELEMENT*												
18"	457	550	536	130	445	1072	75.0	71.0	470	45	68	46
20"	508	555	538	130	445	1077	75.0	71.0	470	45	68	46
22"	558	559	543	150	445	1082	75.0	71.0	470	45	68	46
ELECTRA*												
17"	432	536	526	160	459	1095	75.0	69.0	470	50	68	46
19"	483	568	557	160	459	1127	75.0	69.0	470	50	68	46

* - 1 1/8" semiintegrated head set PF 50 mm

PF - Press Fit

GOMETRY TABLE LEGEND:

- S/T c-t - seat tube (center-top)
- T/T h - top tube horizontal
- T/T a - top tube actual,
- H/T - head tube
- C/S - chain stay
- W/B - wheel base
- S/T ang. - seat tube angle
- H/T ang. - head tube angle
- F/L - fork length
- B/B drop - bottom bracket drop
- B/B width - bottom bracket width
- F/R - fork rake

Recommended frame size to the body height for each model you can find on our web site www.author.eu



E-TOURING

Z

n

e

o

r

l



TOURING

KL

RE

RO

RE

RE



COLLECTION 2016





| TRIUMPH |

FRAME	alloy 6061 700c	SHIFTERS	Shimano Acera, 24 speed
FORK	RST Verse T (50 mm travel)	BRAKES	Tektro 857
CHAINWHEEL	Suntour XCE (48-38-28 teeth)	TIRES	700 x 40c
REAR DERAILLEUR	Shimano Acera	COLOR	Matte Phantom Black / Arctic Blue



| DYNASTY |

FRAME	alloy 6061 700c	SHIFTERS	Shimano Acera, 24 speed
FORK	RST Verse T (50 mm travel)	BRAKES	Tektro 857
CHAINWHEEL	Suntour XCE (42-34-24 teeth)	TIRES	700 x 40c
REAR DERAILLEUR	Shimano Acera	COLOR	Extreme White / Tibet Sand



| SEANCE |

FRAME	alloy 6061 700c	SHIFTERS	Shimano Revoshift, 21 speed
FORK	RST Sofi T (50 mm travel)	BRAKES	Tektro 855
CHAINWHEEL	Suntour XCE (42-34-24 teeth)	TIRES	700 x 40c
REAR DERAILEUR	Shimano Altus	COLOR	Treasure Silver / Raspberry Red



| MAJESTY |

FRAME	alloy 6061 700c	SHIFTERS	Shimano Revoshift, 21 speed
FORK	hi-ten	BRAKES	Tektro 855
CHAINWHEEL	Prowheel (42-32-22 teeth)	TIRES	700 x 40c
REAR DERAILEUR	Shimano TX55	COLOR	Extreme White / Falling Leaf



| RAPID |

FRAME	alloy 6061 26"	SHIFTERS	Shimano Altus, 24 speed
FORK	RST Capa T (80 mm travel)	BRAKES	Tektro 855
CHAINWHEEL	Suntour XCE (42-34-24 teeth)	TIRES	Classic Venice 26"x 2.00"
REAR DERAILLEUR	Shimano Acera	COLOR	Treasure Silver / Kawa Green



| VICTORIA |

FRAME	alloy 6061 26"	SHIFTERS	Shimano Altus, 24 speed
FORK	RST Capa T (80 mm travel)	BRAKES	Tektro 855
CHAINWHEEL	Suntour XCE (42-34-24 teeth)	TIRES	Classic Venice 26"x 2.00"
REAR DERAILLEUR	Shimano Acera	COLOR	Treasure Silver / Racing Red



| OPUS |

FRAME	alloy 6061 26"
FORK	RST Capa T (80 mm travel)
CHAINWHEEL	Prowheel (42-34-24 teeth)
REAR DERAILLEUR	Shimano TX55

SHIFTERS	Shimano Altus, 24 speed
BRAKES	Tektro 855
TIRES	Classic Venice 26" x 2.00"
WEIGHT	Grande Azzuro / Canary Yellow / Phantom Black



| BRAVA |

FRAME	alloy 6061 26"
FORK	RST Capa T (80 mm travel)
CHAINWHEEL	Prowheel (42-34-24 teeth)
REAR DERAILLEUR	Shimano TX55

SHIFTERS	Shimano Altus, 24 speed
BRAKES	Tektro 855
TIRES	Classic Venice 26" x 2.00"
COLOR	Persian Orange / Phantom Black



| SIMPLEX [A] |

FRAME	alloy 7005 folding	SHIFTERS	Shimano Revoshift, 8 speed
FORK	hi-ten	BRAKES	Tektro 855
CHAINWHEEL	alloy (52 teeth)	TIRES	Kenda 20" x 1.50"
REAR DERAILLEUR	Shimano Altus	COLOR A	Matte Treasure Silver / Andaman Sea

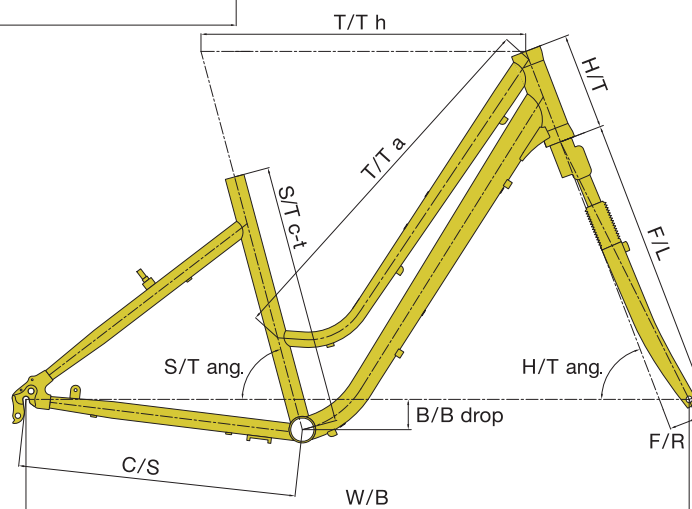
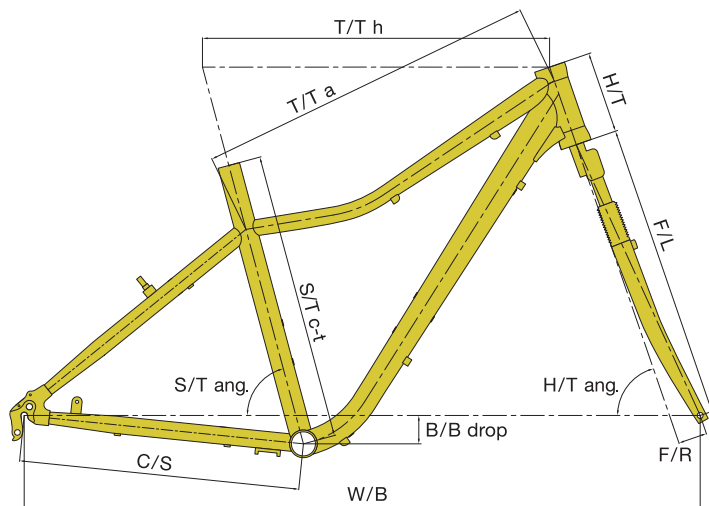


| SIMPLEX [B] |

FRAME	alloy 7005 folding	SHIFTERS	Shimano Revoshift, 8 speed
FORK	hi-ten	BRAKES	Tektro 855
CHAINWHEEL	alloy (52 teeth)	TIRES	Kenda 20" x 1.50"
REAR DERAILLEUR	Shimano Altus	COLOR B	Phantom Black / Caribbean Green

MODEL	TRIUMPH	DYNASTY	SEANCE	MAJESTY	RAPID	VICTORIA
SIZE	18", 20", 22"	17", 19"	17", 19"	17", 19"	17", 19", 21"	16", 18"
FRAME	alloy 6061 700c	alloy 6061 700c (L)	alloy 6061 700c (L)	alloy 6061 700c (L)	alloy 6061 26"	alloy 6061 26" (L)
FRONT FORK	RST Verse T (50 mm)	RST Verse T (50 mm)	RST Sofi T (50 mm)	hi-ten	RST Capa T (80 mm)	RST Capa T (80 mm)
HEAD PARTS	PRESTINE Integrated 1"	PRESTINE Integrated 1"	PRESTINE Integrated 1"	PRESTINE Integrated 1"	PRESTINE Integrated 1-1/8"	PRESTINE Integrated 1-1/8"
CHAINWHEEL	SUNTOUR XCE 48-38-28 teeth 170 / 175 mm cranks	SUNTOUR XCE 42-34-24 teeth 170 mm cranks	SUNTOUR XCE 42-34-24 teeth 170 mm cranks	PROWHEEL 42-32-22 teeth 170 mm cranks	SUNTOUR XCE 42-34-24 teeth 170 / 175 mm cranks	SUNTOUR XCE 42-34-24 teeth 170 mm cranks
B.B. PARTS	SUNTOUR XCT cartridge	SUNTOUR XCT cartridge	SUNTOUR XCT cartridge	VP COMP cartridge	SUNTOUR XCT cartridge	SUNTOUR XCT cartridge
FRONT DERAILLEUR	SHIMANO TX51 (34.9)	SHIMANO TX50 (31.8)	SHIMANO TX50 (31.8)	SHIMANO TX50 (31.8)	SHIMANO M190 (31.8)	SHIMANO M190 (31.8)
REAR DERAILLEUR	SHIMANO Acera	SHIMANO Acera	SHIMANO Altus	SHIMANO TX55	SHIMANO Acera	SHIMANO Acera
SHIFTERS	SHIMANO Acera (24)	SHIMANO Acera (24)	SHIMANO Revoshift (21)	SHIMANO Revoshift (21)	SHIMANO Altus (24)	SHIMANO Altus (24)
FREEWHEEL	SHIMANO HG31-8 11-32 (8)	SHIMANO HG31-8 11-32 (8)	SHIMANO MF-TZ21 14-28 (7)	SHIMANO MF-TZ21 14-28 (7)	SHIMANO HG31-8 11-32 (8)	SHIMANO HG-31-8 11-32 (8)
CHAIN	SHIMANO HG40	SHIMANO HG40	SHIMANO HG40	SHIMANO HG40	KMC Z72	KMC Z72
HUBS	SHIMANO Dynamo 32 holes QUANDO 32 holes	SHIMANO Dynamo 32 holes QUANDO 32 holes	QUANDO 32 holes	QUANDO 32 holes	QUANDO 32 holes	QUANDO 32 holes
BRAKES	TEKTRO 857	TEKTRO 857	TEKTRO 855	TEKTRO 855	TEKTRO 855	TEKTRO 855
BRAKE LEVERS	SHIMANO Acera	SHIMANO Acera	TEKTRO plastic / alloy	TEKTRO plastic / alloy	SHIMANO Altus	SHIMANO Altus
RIMS	AUTHOR Argon Cross 32 holes	AUTHOR Argon Cross 32 holes	alloy 32 holes	alloy 32 holes	AUTHOR Argon 32 holes	AUTHOR Argon 32 holes
SPOKES	black stainless steel 2.0 mm	black stainless steel 2.0 mm	stainless steel	stainless steel	steel	steel
TIRES	CST reflexive stripes 700 x 40c	CST reflexive stripes 700 x 40c	CST reflexive stripes 700 x 40c	CST reflexive stripes 700 x 40c	CST Classic Venice 26" x 2.00"	CST Classic Venice 26" x 2.00"
PEDALS	AUTHOR Non Slip resin	AUTHOR Non Slip resin	AUTHOR Non Slip resin	resin	resin	resin
HANDLEBAR	KALLOY alloy 45 mm 620 mm	KALLOY alloy 45 mm 620 mm	KALLOY alloy 45 mm 620 mm	KALLOY alloy 45 mm 620 mm	steel 42 mm 620 / 640 mm	steel 42 mm 620 mm
GRIPS	AUTHOR ErgoGrip	AUTHOR ErgoGrip	AUTHOR ErgoGrip	AUTHOR high density foam	AUTHOR high density foam	AUTHOR high density foam
STEM	UNO adjustable	UNO adjustable	UNO adjustable	UNO adjustable	ZOOM adjustable	ZOOM adjustable
SEAT POST	UNO suspension (31.6)	UNO suspension (27.2)	UNO suspension (27.2)	ZOOM alloy (27.2)	ZOOM suspension (27.2)	ZOOM suspension (27.2)
SEAT CLAMP	AUTHOR (34.9)	AUTHOR (31.8)	AUTHOR (31.8)	AUTHOR (31.8)	AUTHOR (31.8)	AUTHOR (31.8)
SADDLE	AUTHOR King Sofa	AUTHOR Queen Sofa	AUTHOR Queen Sofa	AUTHOR Queen Sofa	AUTHOR King Sofa	AUTHOR Queen Sofa
SPEED	24	24	21	21	24	24
WEIGHT	16,6 kg / 20"	16,9 kg / 19"	16,1 kg / 19"	14,9 kg / 19"	15,5 kg / 19"	15,6 kg / 18"

MODEL	OPUS	BRAVA	SIMPLEX
SIZE	17", 19", 21"	16", 18"	M
FRAME	alloy 6061 26"	alloy 6061 26" (L)	alloy 7005 folding
FRONT FORK	RST Capa T (80 mm)	RST Capa T (80 mm)	hi-ten
HEAD PARTS	PRESTINE Integrated 1-1/8"	PRESTINE Integrated 1-1/8"	NECO Integrated 1"
CHAINWHEEL	PROWHEEL 42-34-24 teeth 170 mm cranks	PROWHEEL 42-34-24 teeth 170 mm cranks	alloy 52 teeth 170 mm cranks
B.B. PARTS	VP COMP cartridge	VP COMP cartridge	NECO cartridge
FRONT DERAILLEUR	SHIMANO TX50 (31.8)	SHIMANO TX50 (31.8)	.
REAR DERAILLEUR	SHIMANO TX55	SHIMANO TX55	SHIMANO Altus
SHIFTERS	SHIMANO Altus (21)	SHIMANO Altus (21)	SHIMANO Revoshift (8)
FREEWHEEL	SHIMANO MF-TZ21 14-28 (7)	SHIMANO MF-TZ21 14-28 (7)	SHIMANO HG-20-8 11-32 (8)
CHAIN	KMC Z51	KMC Z51	TAYA TB-65
HUBS	QUANDO 32 holes	QUANDO 32 holes	QUANDO 28 holes
BRAKES	TEKTRO 855	TEKTRO 855	TEKTRO 855
BRAKE LEVERS	SHIMANO Altus	SHIMANO Altus	TEKTRO plastic / alloy
RIMS	alloy 32 holes	alloy 32 holes	alloy 28 holes
SPOKES	steel	steel	black steel 2.0 mm
TIRES	CST Classic Venice 26" x 2.00"	CST Classic Venice 26" x 2.00"	KENDA K-193 20" x 1.50"
PEDALS	resin	resin	resin folding
HANDLEBAR	steel 42 mm 620 / 640 mm	steel 42 mm 620 mm	alloy
GRIPS	AUTHOR high density foam	AUTHOR high density foam	AUTHOR ErgoGrip
STEM	ZOOM adjustable	ZOOM adjustable	alloy telescopic
SEAT POST	ZOOM suspension (27.2)	ZOOM suspension (27.2)	alloy (33.9)
SEAT CLAMP	AUTHOR (31.8)	AUTHOR (31.8)	alloy (40.7)
SADDLE	AUTHOR King Sofa	AUTHOR Queen Sofa	AUTHOR Courier
SPEED	21	21	8
WEIGHT	15,2 kg / 19"	15,3 kg / 19"	12,7 kg/ M



	S/T c-t	T/T h	T/T a	H/T	C/S	W/B	S/T ang.	H/T ang.	F/L	B/B drop	B/B width	F/R
TRIUMPH*												
18"	457	550	535	130	445	1069	75,0	71,0	460	45	68	44
20"	508	555	538	130	445	1074	75,0	71,0	460	45	68	44
22"	558	559	544	150	445	1079	75,0	71,0	460	45	68	44
MAJESTY*												
17"	432	528	518	155	459	1079	75,0	69,0	415	50	68	45
19"	483	573	562	155	459	1124	75,0	69,0	415	50	68	45
SEANCE*												
17"	432	522	513	155	459	1077	75,0	69,0	460	50	68	44
19"	483	567	556	155	459	1122	75,0	69,0	460	50	68	44
DYNASTY*												
17"	432	536	526	160	459	1091	75,0	69,0	460	50	68	44
19"	483	568	559	160	459	1125	75,0	69,0	460	50	68	44
VICTORIA/ BRAVA												
16"	406	545	533	145	430	1053	75	70	460	50	68	38
18"	457	560	548	155	430	1074	75	70	460	50	68	38
RAPID/ OPUS												
17"	432	550	541	150	430	1049	75	71	460	45	68	38
19"	483	560	545	160	430	1060	75	71	460	45	68	38
21"	533	570	552	170	430	1070	75	71	460	45	68	38

* - 1 1/8" semiintegrated head set PF 50 mm

PF - Press Fit

GEOMETRY TABLE LEGEND:

- S/T c-t - seat tube (center-top)
- T/T h - top tube horizontal
- T/T a - top tube actual
- H/T - head tube
- C/S - chain stay
- W/B - wheel base
- S/T ang. - seat tube angle
- H/T ang. - head tube angle
- F/L - fork length
- B/B drop - bottom bracket drop
- B/B width - bottom bracket width
- F/R - fork rake

Recommended frame size to the body height for each model you can find on our web site www.author.eu

TOURING



JUNIOR

Q

Z

E

T



PHOTO: Jan Mochak



AUTHOR JUNIOR BIKES

For model year 2016 have models ULTRASONIC, SONIC gotten 26" wheel set with low 13,5" frame and new sporty but in the same time playful geometry. MIRAGE remains on 24" wheels but the frame has been lowered also down, in this case to 13".

The applied material is again triple butted alloy 6061 for models ULTRASONIC and SONIC. Latter named model MIRAGE will stay with plain gauge alloy 6061 material. The above stated models are designed for the most demanding kids customers of 24" and 26" wheel size kids bikes.

Models A-MATRIX 26, A-MATRIX, A-MATRIX ASL and MATRIX kept having lowered frames (A-MATRIX 26 13,5" and other frames 12,5" size), with again sporty but playful geometry. The same 12,5" frame size also got model ULTIMA.

Novelty in the offer of kids bikes are 2 models on wider 2,5" tires. On 20" wheels model King Kong 20 and on 24" wheels model King Kong 24. Really enjoyable geometry, low frame and relatively low weight, disc brakes and wide tires offer for the kids totally new way of riding, alias "Fun rules all"!



SHIMANO
2x10



| ULTRASONIC 26 |

FRAME	triple butted hydroformed alloy 6061 26"
FORK	alloy 6061
CHAINWHEEL	Shimano Deore (38-24 teeth), BB unit
REAR DERAILLEUR	Shimano XT

SHIFTERS	Shimano Deore, 20 speed
BRAKES	Tektro Auriga WS (6")
TIRES	Vittoria Barzo kevlar 26" x 2.10"
COLOR	Matte Temple Grey / Neon Yellow



| SONIC 26 |

FRAME	triple butted hydroformed alloy 6061 26"
FORK	RST F1RST 26 (80 mm travel)
CHAINWHEEL	Prowheel Pioneer (42-32-22 teeth)
REAR DERAILLEUR	Shimano Alivio

SHIFTERS	Shimano Acera, 24 speed
BRAKES	Tektro 837
TIRES	Vittoria Barzo kevlar 26" x 2.10"
COLOR	Matte Treasure Silver / Caribbean Green





| MIRAGE [A] |

FRAME	hydroformed alloy 6061 24"	SHIFTERS	Shimano Revoshift, 24 speed
FORK	RST Capa T 24 (50 mm travel)	BRAKES	Tektro 837
CHAINWHEEL	Suntour JR (42-32-22 teeth)	TIRES	24" x 1.95"
REAR DERAILLEUR	Shimano Acera	COLOR A	Author Red / Phantom Black



| MIRAGE [B] |

FRAME	hydroformed alloy 6061 24"	SHIFTERS	Shimano Revoshift, 24 speed
FORK	RST Capa T 24 (50 mm travel)	BRAKES	Tektro 837
CHAINWHEEL	Suntour JR (42-32-22 teeth)	TIRES	24" x 1.95"
REAR DERAILLEUR	Shimano Acera	COLOR B	Grande Azzuro / Canary Yellow



| A-MATRIX 26 [A] |

FRAME	alloy 6061 26"
FORK	RST Capa T 26 (80 mm travel)
CHAINWHEEL	Prowheel (42-34-24 teeth)
REAR DERAILLEUR	Shimano TY21

SHIFTERS	Shimano Revoshift, 18 speed
BRAKES	Tektro 855
TIRES	Author Speed Master 26" x 2.00"
COLOR A	Green Olive / Phantom Black



| A-MATRIX 26 [B] |

FRAME	alloy 6061 26"
FORK	RST Capa T 26 (80 mm travel)
CHAINWHEEL	Prowheel (42-34-24 teeth)
REAR DERAILLEUR	Shimano TY21

SHIFTERS	Shimano Revoshift, 18 speed
BRAKES	Tektro 855
TIRES	Author Speed Master 26" x 2.00"
COLOR B	Matte Phantom Black / Andaman Sea



| A-MATRIX 26 [C] |

FRAME	alloy 6061 26"	SHIFTERS	Shimano Revoshift, 18 speed
FORK	RST Capa T 26 (80 mm travel)	BRAKES	Tektro 855
CHAINWHEEL	Prowheel (42-34-24 teeth)	TIRES	Author Speed Master 26" x 2.00"
REAR DERAILLEUR	Shimano TY21	COLOR C	Extreme White / Suzy Pink



PHOTO: Jan Mecnak



| A-MATRIX [A] |

FRAME	alloy 6061 24"	SHIFTERS	Shimano Revoshift, 18 speed
FORK	RST Capa T 24 (50 mm travel)	BRAKES	Tektro 855
CHAINWHEEL	Prowheel (42-34-24 teeth)	TIRES	24" x 1.75"
REAR DERAILLEUR	Shimano TY21	COLOR A	Phantom Black / Caribbean Green



| A-MATRIX [B] |

FRAME	alloy 6061 24"	SHIFTERS	Shimano Revoshift, 18 speed
FORK	RST Capa T 24 (50 mm travel)	BRAKES	Tektro 855
CHAINWHEEL	Prowheel (42-34-24 teeth)	TIRES	24" x 1.75"
REAR DERAILLEUR	Shimano TY21	COLOR B	Matte Treasure Silver / Andaman Sea



| A-MATRIX ASL [A] |

FRAME	alloy 6061 24" (ASL)	SHIFTERS	Shimano Revoshift, 18 speed
FORK	RST Capa T 24 (50 mm travel)	BRAKES	Tektro 855
CHAINWHEEL	Prowheel (42-34-24 teeth)	TIRES	24" x 1.75"
REAR DERAILLEUR	Shimano TY21	COLOR A	Lotos Green



| A-MATRIX ASL [B] |

FRAME	alloy 6061 24" (ASL)	SHIFTERS	Shimano Revoshift, 18 speed
FORK	RST Capa T 24 (50 mm travel)	BRAKES	Tektro 855
CHAINWHEEL	Prowheel (42-34-24 teeth)	TIRES	24" x 1.75"
REAR DERAILLEUR	Shimano TY21	COLOR B	Ritual Silver / Suzy Pink



| MATRIX [A] |

FRAME	hi-ten 24"	SHIFTERS	Shimano Revoshift, 18 speed
FORK	Zoom (40 mm travel)	BRAKES	Tektro 855
CHAINWHEEL	Prowheel (42-34-24 teeth)	TIRES	24" x 1.75"
REAR DERAILLEUR	Shimano TY21	COLOR A	Author Red



| MATRIX [B] |

FRAME	hi-ten 24"	SHIFTERS	Shimano Revoshift, 18 speed
FORK	Zoom (40 mm travel)	BRAKES	Tektro 855
CHAINWHEEL	Prowheel (42-34-24 teeth)	TIRES	24" x 1.75"
REAR DERAILLEUR	Shimano TY21	COLOR B	Matte Temple Grey / Kawa Gren



| ULTIMA [A] |

FRAME	alloy 6061 24"	SHIFTERS	Shimano Revoshift, 18 speed
FORK	hi-ten	BRAKES	Tektro 855
CHAINWHEEL	Prowheel (42-34-24 teeth)	TIRES	24" x 1.50"
REAR DERAILLEUR	Shimano TY21	COLOR A	Koala / Falling Leaf



| ULTIMA [B] |

FRAME	alloy 6061 24"	SHIFTERS	Shimano Revoshift, 18 speed
FORK	hi-ten	BRAKES	Tektro 855
CHAINWHEEL	Prowheel (42-34-24 teeth)	TIRES	24" x 1.50"
REAR DERAILLEUR	Shimano TY21	COLOR B	Extreme White / Author Red



| KING KONG 24 |

FRAME	alloy 6061 24"	SHIFTERS	Shimano Revoshift, 8 speed
FORK	alloy	BRAKES	Tektro Aries (5")
CHAINWHEEL	Prowheel (32 teeth)	TIRES	Kenda Nevegal 24" x 2.50"
REAR DERAILLEUR	Shimano Acera	COLOR	Matte Phantom Black / Neon Yellow



| KING KONG 20 |

FRAME	alloy 6061 20"	SHIFTERS	Shimano Revoshift, 6 speed
FORK	alloy	BRAKES	Tektro Aries (5")
CHAINWHEEL	Prowheel (32 teeth)	TIRES	Kenda 20" x 2.50"
REAR DERAILLEUR	Shimano TY21	COLOR	Matte Phantom Black / Neon Green



| SMART [A] |

FRAME	alloy 6061 20"	SHIFTERS	Shimano Revoshift, 6 speed
FORK	RST Capa T 20 (30 mm travel)	BRAKES	Tektro 855
CHAINWHEEL	Prowheel (36 teeth)	TIRES	20" x 1.75"
REAR DERAILLEUR	Shimano TY21	COLOR A	Grande Azzuro



| SMART [B] |

FRAME	alloy 6061 20"	SHIFTERS	Shimano Revoshift, 6 speed
FORK	RST Capa T 20 (30 mm travel)	BRAKES	Tektro 855
CHAINWHEEL	Prowheel (36 teeth)	TIRES	20" x 1.75"
REAR DERAILLEUR	Shimano TY21	COLOR B	Matte Temple Grey / Kawa Gren



| COSMIC [A] |

FRAME	alloy 6061 20"	SHIFTERS	Shimano Revoshift, 6 speed
FORK	cromoly	BRAKES	Tektro 855
CHAINWHEEL	Prowheel (36 teeth)	TIRES	20" x 1.75"
REAR DERAILLEUR	Shimano TY21	COLOR A	Matte Caribbean Green / Phantom Black



| COSMIC [B] |

FRAME	alloy 6061 20"	SHIFTERS	Shimano Revoshift, 6 speed
FORK	cromoly	BRAKES	Tektro 855
CHAINWHEEL	Prowheel (36 teeth)	TIRES	20" x 1.75"
REAR DERAILLEUR	Shimano TY21	COLOR B	Matte Treasure Silver / Navy Blue



| COSMIC [C] |

FRAME	alloy 6061 20"
FORK	cromoly
CHAINWHEEL	Prowheel (36 teeth)
REAR DERAILLEUR	Shimano TY21
SHIFTERS	Shimano Revoshift, 6 speed
BRAKES	Tektro 855
TIRES	20" x 1.75"
COLOR C	Author Red



PHOTO: Jan Mochák



| ENERGY [A] |

FRAME	hi-ten 20"	SHIFTERS	Shimano Revoshift, 6 speed
FORK	hi-ten	BRAKES	Tektro 855
CHAINWHEEL	Prowheel (36 teeth)	TIRES	20" x 1.75"
REAR DERAILLEUR	Shimano TY21	COLOR A	Extreme White / Author Red



| ENERGY [B] |

FRAME	hi-ten 20"	SHIFTERS	Shimano Revoshift, 6 speed
FORK	hi-ten	BRAKES	Tektro 855
CHAINWHEEL	Prowheel (36 teeth)	TIRES	20" x 1.75"
REAR DERAILLEUR	Shimano TY21	COLOR B	Grande Azzuro



| ENERGY [C] |

FRAME	hi-ten 20"	SHIFTERS	Shimano Revoshift, 6 speed
FORK	hi-ten	BRAKES	Tektro 855
CHAINWHEEL	Prowheel (36 teeth)	TIRES	20" x 1.75"
REAR DERAILLEUR	Shimano TY21	COLOR C	Matte Temple Grey / Canary Yellow



| MELODY |

FRAME	alloy 6061 20"	SHIFTERS	Shimano Revoshift, 6 speed
FORK	hi-ten	BRAKES	Tektro 855
CHAINWHEEL	Prowheel (36 teeth)	TIRES	20" x 1.50"
REAR DERAILLEUR	Shimano TY21	COLOR	Temple Grey / Suzy Pink



| STYLO [A] |

FRAME	alloy 6061 16"	BRAKES	Tektro 855, front / coasterhub
FORK	cromoly	TIRES	16" x 1.75"
CHAINWHEEL	Prowheel (32 teeth)	COLOR A	Nascar Blue / California Orange



| STYLO [B] |

FRAME	alloy 6061 16"	BRAKES	Tektro 855, front / coasterhub
FORK	cromoly	TIRES	16" x 1.75"
CHAINWHEEL	Prowheel (32 teeth)	COLOR B	Matte Temple Grey / Neon Green



| BELLO [A] |

FRAME	alloy 6061 16"	BRAKES	Tektro 855, front / coasterhub
FORK	hi-ten	TIRES	16" x 1.50"
CHAINWHEEL	Prowheel (32 teeth)	COLOR A	Koala / Falling Leaf



| BELLO [B] |

FRAME	alloy 6061 16"	BRAKES	Tektro 855, front / coasterhub
FORK	hi-ten	TIRES	16" x 1.50"
CHAINWHEEL	Prowheel (32 teeth)	COLOR B	Jeweled White / Raspberry Red



| ORBIT [A] |

FRAME	hi-ten 16"	BRAKES	Tektro 855, front / coasterhub
FORK	hi-ten	TIRES	16" x 1.75"
CHAINWHEEL	Prowheel (32 teeth)	COLOR A	Extreme White / Neon Green



| ORBIT [B] |

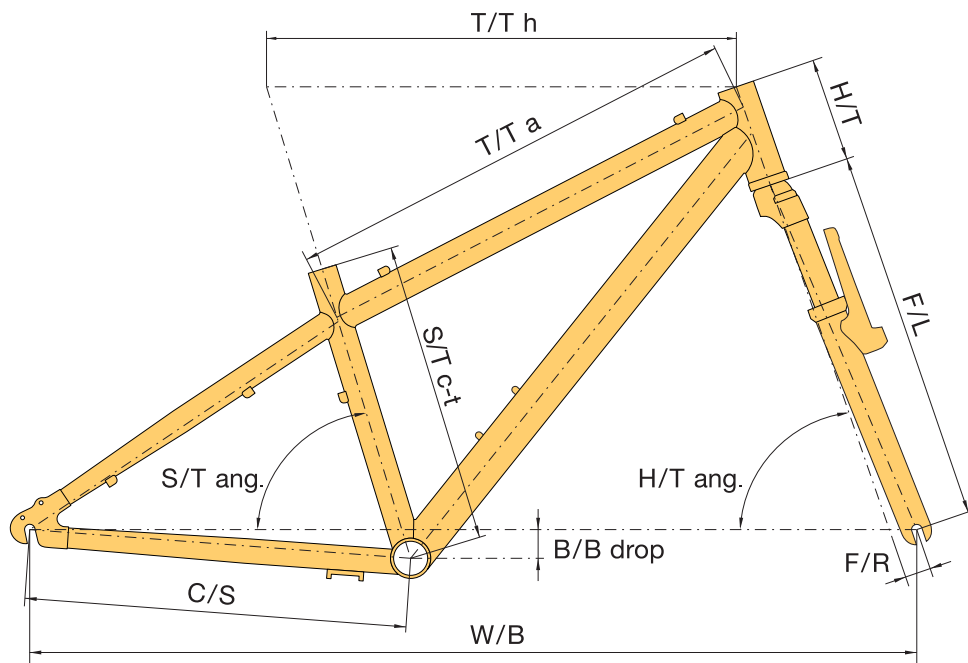
FRAME	hi-ten 16"	BRAKES	Tektro 855, front / coasterhub
FORK	hi-ten	TIRES	16" x 1.75"
CHAINWHEEL	Prowheel (32 teeth)	COLOR B	Matte Treasure Silver / Andaman Sea

MODEL	ULTRASONIC 26	SONIC 26	MIRAGE	A-MATRIX 26	A-MATRIX	A-MATRIX ASL
SIZE	13.5"	13.5"	12.5"	13.5"	12.5"	12.5"
FRAME	triple butted hydroformed alloy 6061 26"	triple butted hydroformed alloy 6061 26"	hydroformed alloy 6061 24"	alloy 6061 26"	alloy 6061 24"	alloy 6061 24" (ASL)
FRONT FORK	alloy 6061	RST F1RST 26 air, lock out (80 mm)	RST Capa T 24 (50 mm)	RST Capa T 26 (80 mm)	RST Capa T 24 (50 mm)	RST Capa T 24 (50 mm)
HEAD PARTS	AUTHOR Integrated 1.5" tapered	AUTHOR Integrated 1.5" tapered	AUTHOR Integrated 1.5" tapered	PRESTINE 1-1/8"	PRESTINE 1-1/8"	PRESTINE 1-1/8"
CHAINWHEEL	SHIMANO Deore 38-24 teeth 170 mm cranks	PROWHEEL Pioneer 42-32-22 teeth 170 mm cranks	SUNTOUR JR 42-32-22 teeth 152 mm cranks	PROWHEEL 42-34-24 teeth 170 mm cranks	PROWHEEL 42-34-24 teeth 152 mm cranks	PROWHEEL 42-34-24 teeth 152 mm cranks
B.B. PARTS	SHIMANO BB52 BB unit	VP COMP cartridge	SUNTOUR XCT cartridge	VP COMP	VP COMP	VP COMP
FRONT DERAILLEUR	SHIMANO Deore (34.9)	SHIMANO Acera (34.9)	SHIMANO TX50 (34.9)	SHIMANO TX50 (31.8)	SHIMANO TX50 (31.8)	SHIMANO TX50 (31.8)
REAR DERAILLEUR	SHIMANO XT	SHIMANO Alivio	SHIMANO Acera	SHIMANO TY21	SHIMANO TY21	SHIMANO TY21
SHIFTERS	SHIMANO Deore (20)	SHIMANO Acera (24)	SHIMANO Revoshift (24)	SHIMANO Revoshift (18)	SHIMANO Revoshift (18)	SHIMANO Revoshift (18)
FREEWHEEL	SHIMANO HG50-10 11-36 (10)	SHIMANO HG31-8 11-32 (8)	SHIMANO HG31-8 11-32 (8)	SHIMANO MF-TZ20 14-28 (6)	SHIMANO MF-TZ20 14-28 (6)	SHIMANO MF-TZ20 14-28 (6)
CHAIN	SHIMANO HG54	KMC Z72	KMC Z72	KMC Z33	KMC Z33	KMC Z33
HUBS	AUTHOR Xenon Disc 32 holes	QUANDO 32 holes	QUANDO 32 holes	QUANDO 32 holes	QUANDO 32 holes	QUANDO 32 holes
BRAKES	TEKTRO Auriga disc hydraulic (6" rotors)	TEKTRO 837	TEKTRO 837	TEKTRO 855	TEKTRO 855	TEKTRO 855
BRAKE LEVERS	TEKTRO Auriga WS	TEKTRO alloy	TEKTRO alloy	TEKTRO plastic / alloy	TEKTRO plastic / alloy	TEKTRO plastic / alloy
RIMS	AUTHOR Radon 26 32 holes	AUTHOR Argon 26 32 holes	alloy 32 holes	alloy 32 holes	alloy 32 holes	alloy 32 holes
SPOKES	black stainless steel 2.0 mm	black stainless steel 2.0 mm	black steel	black steel	black steel	steel
TIRES	VITTORIA Barzo kevlar 26" x 2.10"	VITTORIA Barzo kevlar 26" x 2.10"	24" x 1.95"	AUTHOR Speed Master 26" x 2.00"	24" x 1.75"	24" x 1.75"
PEDALS	alloy	resin	resin	resin	resin	resin
HANDLEBAR	AUTHOR 25 mm 620 mm	AUTHOR 25 mm 620 mm	ZOOM alloy 20 mm 580 mm	steel 20 mm 620 mm	steel 20 mm 580 mm	steel 20 mm 580 mm
GRIPS	AUTHOR high density foam	AUTHOR high density foam	AUTHOR kratton rubber	AUTHOR kratton rubber	AUTHOR kratton rubber	AUTHOR kratton rubber
STEM	AUTHOR alloy	AUTHOR alloy	ZOOM alloy	alloy	alloy	alloy
SEAT POST	AUTHOR alloy (31.6)	AUTHOR alloy (31.6)	ZOOM alloy (31.6)	alloy (27.2)	alloy (27.2)	alloy (27.2)
SEAT CLAMP	AUTHOR (34.9)	AUTHOR (34.9)	AUTHOR (34.9)	AUTHOR (31.8)	AUTHOR (31.8)	AUTHOR (31.8)
SADDLE	AUTHOR Mega Top Junior	AUTHOR Mega Top Junior	AUTHOR Mega Top Junior	AUTHOR	AUTHOR	AUTHOR
SPEED	20	24	24	18	18	18
WEIGHT	10,8 kg / 13,5"	11,9 kg / 13,5"	12,5 kg / 12,5"	13,4 kg / 13,5"	12,5 kg / 12,5"	12,5 kg / 12,5"

MODEL	MATRIX	ULTIMA	KING KONG 24	KING KONG 20	SMART	COSMIC
SIZE	12.5"	12.5"	12.5"	10.5"	10"	10"
FRAME	hi-ten 24"	alloy 6061 24" (L)	alloy 6061 24"	alloy 6061 20"	alloy 6061 20"	alloy 6061 20"
FRONT FORK	ZOOM (40 mm)	hi-ten	alloy	alloy	RST Capa T 20 (30 mm)	cromoly
HEAD PARTS	PRESTINE 1-1/8"	PRESTINE 1-1/8"	PRESTINE 1-1/8"	PRESTINE 1-1/8"	PRESTINE 1-1/8"	VP COMP 1"
CHAINWHEEL	PROWHEEL 42-34-24 teeth 152 mm cranks	PROWHEEL 42-34-24 teeth 152 mm cranks	PROWHEEL 32 teeth 152 mm cranks	PROWHEEL 32 teeth 140 mm cranks	PROWHEEL 36 teeth 127 mm cranks	PROWHEEL 36 teeth 127 mm cranks
B.B. PARTS	VP COMP	VP COMP	VP COMP	VP COMP	VP COMP	VP COMP
FRONT DERAILLEUR	SHIMANO TX50 (28.6)	SHIMANO TX50 (31.8)	-	-	-	-
REAR DERAILLEUR	SHIMANO TY21	SHIMANO TY21	SHIMANO Acera	SHIMANO TY21	SHIMANO TY21	SHIMANO TY21
SHIFTERS	SHIMANO Revoshift (18)	SHIMANO Revoshift (18)	SHIMANO Revoshift (8)	SHIMANO Revoshift (6)	SHIMANO Revoshift (6)	SHIMANO Revoshift (6)
FREEWHEEL	SHIMANO MF-TZ20 14-28 (6)	SHIMANO MF-TZ20 14-28 (6)	SHIMANO HG31-8 11-34 (8)	SHIMANO MF-TZ20 14-28 (6)	SHIMANO MF-TZ20 14-28 (6)	SHIMANO MF-TZ20 14-28 (6)
CHAIN	KMC Z33	KMC Z33	KMC 272	KMC Z33	KMC Z33	KMC Z33
HUBS	steel 32 holes	QUANDO 32 holes	QUANDO Disc 32 holes	QUANDO Disc 32 holes	QUANDO 32 holes	QUANDO 32 holes
BRAKES	TEKTRO 855	TEKTRO 855	TEKTRO Aries disc mechanical (5" rotors)	TEKTRO Aries disc mechanical (5" rotors)	TEKTRO 855	TEKTRO 855
BRAKE LEVERS	TEKTRO plastic / alloy	TEKTRO plastic / alloy	TEKTRO plastic / alloy	TEKTRO plastic / alloy	TEKTRO plastic / alloy	TEKTRO plastic / alloy
RIMS	alloy 32 holes	alloy 32 holes	alloy 32 holes	alloy 32 holes	alloy 32 holes	alloy 32 holes
SPOKES	steel	steel	black steel	black steel	steel	black steel
TIRES	24" x 1.75"	24" x 1.50"	KENDA Nevegal 24" x 2.50"	KENDA 20" x 2.50"	20" x 1.75"	20" x 1.75"
PEDALS	resin	resin	resin	resin	resin	resin
HANDLEBAR	steel 20 mm 580 mm	steel 20 mm 580 mm	ZOOM alloy 25 mm 600 mm	ZOOM alloy 25 mm 560 mm	steel 20 mm 540 mm	ZOOM alloy 15 mm 540 mm
GRIPS	AUTHOR kratton rubber	AUTHOR kratton rubber	AUTHOR kratton rubber	AUTHOR kratton rubber	AUTHOR kratton rubber	AUTHOR kratton rubber
STEM	alloy	alloy	alloy	alloy	alloy	alloy
SEAT POST	steel (25.4)	alloy (27.2)	ZOOM alloy (27.2)	ZOOM alloy (27.2)	steel (27.2)	ZOOM alloy (27.2)
SEAT CLAMP	AUTHOR (28.6)	AUTHOR (31.8)	AUTHOR (31.8)	AUTHOR (31.8)	AUTHOR (31.8)	AUTHOR (31.8)
SADDLE	AUTHOR	AUTHOR	AUTHOR King Kong	AUTHOR King Kong	AUTHOR Smart	AUTHOR Cosmic
SPEED	18	18	8	6	6	6
WEIGHT	13,9 kg / 12,5"	11,5 kg / 12,5"	12,3 kg / 12,5"	10,9 kg / 10"	10,7 kg / 10"	9 kg / 10"



MODEL	MELODY	ENERGY	STYLO	BELLO	ORBIT
SIZE	10"	10"	9"	9"	9"
FRAME	alloy 6061 20" (L)	hi-ten 20"	alloy 6061 16"	alloy 6061 16" (L)	hi-ten 16"
FRONT FORK	hi-ten	hi-ten	cromoly	hi-ten	hi-ten
HEAD PARTS	VP COMP 1"	VP COMP 1"	VP COMP 1"	VP COMP 1"	VP COMP 1"
CHAINWHEEL	PROWHEEL 36 teeth 127 mm cranks	PROWHEEL 36 teeth 127 mm cranks	PROWHEEL 32 teeth 102 mm cranks	PROWHEEL 32 teeth 102 mm cranks	PROWHEEL 32 teeth 102 mm cranks
B.B. PARTS	VP COMP	VP COMP	VP COMP	VP COMP	VP COMP
FRONT DERAILLEUR	-	-	-	-	-
REAR DERAILLEUR	SHIMANO TY21	SHIMANO TY21	-	-	-
SHIFTERS	SHIMANO Revoshift (6)	SHIMANO Revoshift (6)	-	-	-
FREEWHEEL	SHIMANO MF-TZ20 14-28 (6)	SHIMANO MF-TZ20 14-28 (6)	coasterhub 16T	coasterhub 16T	coasterhub 16T
CHAIN	KMC Z33	KMC Z33	KMC Z33	KMC Z33	KMC Z33
HUBS	steel 32 holes	steel 32 holes	rear coasterhub 28 holes	rear coasterhub 28 holes	rear coasterhub 28 holes
BRAKES	TEKTRO 855	TEKTRO 855	TEKTRO 855 / coasterhub	TEKTRO 855 / coasterhub	TEKTRO 855 / coasterhub
BRAKE LEVERS	TEKTRO plastic / alloy	TEKTRO plastic / alloy	TEKTRO plastic / alloy	TEKTRO plastic / alloy	TEKTRO plastic / alloy
RIMS	alloy 32 holes	alloy 32 holes	alloy 28 holes	alloy 28 holes	alloy 28 holes
SPOKES	steel	steel	black steel	steel	steel
TIRES	20" x 1.50"	20" x 1.75"	16" x 1.75"	16" x 1.50"	16" x 1.75"
PEDALS	resin	resin	resin	resin	resin
HANDLEBAR	steel 20 mm 540 mm	steel 20 mm 540 mm	alloy 60 mm 500 mm	steel 60 mm 500 mm	steel 60 mm 500 mm
GRIPS	AUTHOR kratton rubber	AUTHOR kratton rubber	AUTHOR kratton rubber	AUTHOR kratton rubber	AUTHOR kratton rubber
STEM	alloy	alloy	alloy	alloy	alloy
SEAT POST	steel (27.2)	steel (25.4)	alloy (27.2)	alloy (27.2)	steel (25.4)
SEAT CLAMP	AUTHOR (31.8)	AUTHOR (28.6)	alloy (31.8)	alloy (31.8)	alloy (28.6)
SADDLE	AUTHOR Melody	AUTHOR Energy	AUTHOR Stylo	AUTHOR Bello	AUTHOR Junior
SPEED	6	6	1	1	1
WEIGHT	10,6 kg / 10"	10,8 kg / 10"	7,7 kg / 9"	8,2 kg / 9"	9,1 kg / 9"



	S/T c-t	T/T h	T/T a	H/T	C/S	W/B	S/T ang.	H/T ang.	F/L	B/B drop	B/B width	F/R
ULTRASONIC 26* T 1,5" PF												
13,5"	343	545	521	110	405	1022	73.5	69.5	460	30	68	45
SONIC 26* T 1,5" PF												
13,5"	343	545	521	110	405	1022	73.5	69.5	460	30	68	38
MIRAGE* T 1,5" PF												
13"	330	533	514	110	400	992	73.0	70.0	410	25	68	38
A-MATRIX 26												
13,5"	343	526	520	100	405	1002	73.5	69.5	460	30	68	38
A-MATRIX / A-MATRIX ASL / MATRIX												
12,5"	318	492	484	100	395	960	73.5	70.0	410	20	68	42
ULTIMA												
12,5"	318	492	476	100	395	956	73.5	70.0	376	20	68	45
KINGKONG 24												
12,5"	318	510	496	130	405	1006	73.5	68.0	395	25	73	45
KINGKONG 20												
10,5"	255	460	445	120	365	879	72.0	68.0	330	17	73	28
SMART												
10"	254	430	425	90	360	850	73.5	71.0	364	15	68	42
COSMIC												
10"	254	435	420	90	360	847	73.0	72.0	316	10	68	45
ENERGY												
10"	254	435	419	90	360	846	73.0	72.0	316	10	68	45
MELODY												
10"	254	444	420	90	360	855	73.0	72.0	316	10	68	45
STYLO												
9"	229	375	364	90	305	717	74.0	73.0	264	-5	68	34
BELLO												
9"	229	375	364	90	305	717	74.0	73.0	264	-5	68	34
ORBIT												
9"	229	375	364	90	305	717	74.0	73.0	264	-5	68	34

* t 1,5" PF - semiintegrated head set 1,5" tapered PF

PF - Press Fit

* - 1 1/8" semiintegrated head set PF 50 mm

GEOMETRY TABLE LEGEND:

- S/T c-t - seat tube (center-top)
- T/T h - top tube horizontal
- T/T a - top tube actual
- H/T - head tube
- C/S - chain stay
- W/B - wheel base
- S/T ang. - seat tube angle
- H/T ang. - head tube angle
- F/L - fork length
- B/B drop - bottom bracket drop
- B/B width - bottom bracket width
- F/R - fork rake

Recommended frame size to the body height for each model you can find on our web site www.author.eu





UNIVERSE AGENCY spol. s r.o.
Prague 2
Czech Republic
e-mail: info@author.cz
www.author.eu



AUTHOR International Ltd.
Taichung City
Taiwan, R.O.C.
e-mail: service@authorbike.asia
www.author.com.tw



BIKE MANIA
Huizhou
China
e-mail: service@authorbike.asia
www.authorbicycles.cn



UNIVERSE SLOVAKIA s.r.o.
Trenčianske Stankovce
Slovak Republic
e-mail: author@author.sk
www.author.sk



VELO sp. z o.o.
Gliwice
Poland
e-mail: office@velo.com.pl
www.author.pl



PULZAR d.o.o.
Kamnik
Slovenia
e-mail: pulzar@siol.net
www.author.si



TČT d.o.o.
Zagreb
Croatia
e-mail: ante.cuic@tct-author.hr
www.tct-author.hr



MEREUURIMISE ARENDUSKESKUS
Tallinn
Estonia
e-mail: author@author.ee
www.author.ee
Distribution for Estonia & Lithuania



SIA "ETG"
Riga
Latvia
e-mail: info@elkor.lv
www.elkor.com



URIEL HUNGARY Kft.
Budapest
Hungary
e-mail: info@authorkerekpar.hu
www.authorkerekpar.hu



MZ Bikeshop
Bischofswerda
Germany
e-mail: eastwork@t-online.de
www.gmi-eastwork.eu



HUSASMÍÐJAN
Reykjavík
Iceland
e-mail: davidc@husa.is
www.husa.is



PODILATIS GROUP
Thessaloniki
Greece
e-mail: info@podilatis.gr
www.podilatis.gr



BikeOn Distribution
6413XT Heerlen
Netherlands
e-mail: info@bikeondistribution.com
www.bikeondistribution.com
Distribution for
Belgium, Netherlands & Luxembourg



MAXIMUM Ltd.
St. Petersburg
Russia
e-mail: maximum@msgbox.ru
www.st-peterbike.ru



BELADVACOM Group Ltd.
Minsk
Republic of Belarus
e-mail: info@beladva.com
www.beladva.com



DREAM TEAM Llc.
Kiev
Ukraine
e-mail: info@dreamteam.kiev.ua
www.author-ukraine.com



PARALAX s.r.l.
Kishinev
Moldova
e-mail: paralax@jvelo.md
www.velo.md



LIMPOPO OUTDOOR
Almaty
Kazakhstan
e-mail: limpopo-kz@mail.ru
www.limpopo.kz



DI SPORT Stores
Tashkent
Uzbekistan
e-mail: info@di-sport.com
www.di-sport.com



GERGERT Sport
Bishkek
Kyrgyzstan
e-mail: info@gergert.kg
www.gergert.kg



Authorbikes Philippines Incorporated
Cagayan de Oro City
Philippines
email: authorbikesphil.inc@gmail.com
www.en.author.eu



Chafie Asia Pte Ltd.
Singapore
email: info@chafie-asia.com
www.facebook.com/bcbikeservices

ET ORBIT BELLO STYLO ENERGY MELODY COSMIC SMART MATAIK A-MATAIK PATRIOT TR1 PATRIOT TR2 PATRIOT
E COSMIC IMPULSE IMPULSE ASL SOLUTION SOLUTION ASL SOLU
K CORSA MISSION AIRLINE CODEX VISION EGOIST MODUS MODUS 29 REVOLT REVOLT 29
TOR SECTOR 29 INTROVERT MAGNUM 29 AVION SY
TY JET ORBIT BELLO STYLO ENERGY MELODY COSMIC SMART MATAIK A-MATAIK PATRIOT TR1 AUTHOR POL PAT
D FILE SPECTRA RIVAL IMPULSE IMPULSE ASL SOLUTION SOLUTION
RSA MISSION AIRLINE CODEX VISION EGOIST MODUS MODUS 29 REVOLT REVOLT 29 SEC
SPIRIT 29 COMPACT IMPULSE HORIZON ASL CODEX CLASS

WWW.AUTHOR.EU
WWW.FACEBOOK.COM/AUTHOR.CZ

